



US00D707913S

(12) **United States Design Patent**
Gonzalez et al.

(10) **Patent No.:** **US D707,913 S**
(45) **Date of Patent:** **** Jun. 24, 2014**

(54) **CART**

(71) Applicant: **Southwire Company**, Carrollton, GA (US)

(72) Inventors: **Juan Alberto Galindo Gonzalez**, Powder Springs, GA (US); **Richard Temblador**, Carrollton, GA (US); **Tim Bardin**, Mesa, AZ (US)

(73) Assignee: **Southwire Company**, Carrollton, GA (US)

(**) Term: **14 Years**

(21) Appl. No.: **29/456,476**

(22) Filed: **May 31, 2013**

(51) **LOC (10) Cl.** **12-02**

(52) **U.S. Cl.**
USPC **D34/21**

(58) **Field of Classification Search**
USPC D34/12-27; 280/79.11, 79.2, 79.3, 280/43.17
See application file for complete search history.

(56) **References Cited**

U.S. PATENT DOCUMENTS

D172,776 S * 8/1954 Baylon D6/473

3,149,726 A * 9/1964 Magers 211/134
D236,446 S * 8/1975 Shroeder D34/21
5,853,181 A * 12/1998 Booras 280/47.35
D404,874 S * 1/1999 Sandy D34/21
5,871,219 A * 2/1999 Elliott 280/79.3
D427,405 S * 6/2000 McCann D34/21
D483,540 S * 12/2003 Murray et al. D34/21
2003/0196975 A1 * 10/2003 Murray et al. 211/126.2

* cited by examiner

Primary Examiner — Cynthia Ramirez

(74) *Attorney, Agent, or Firm* — Merchant & Gould P.C.

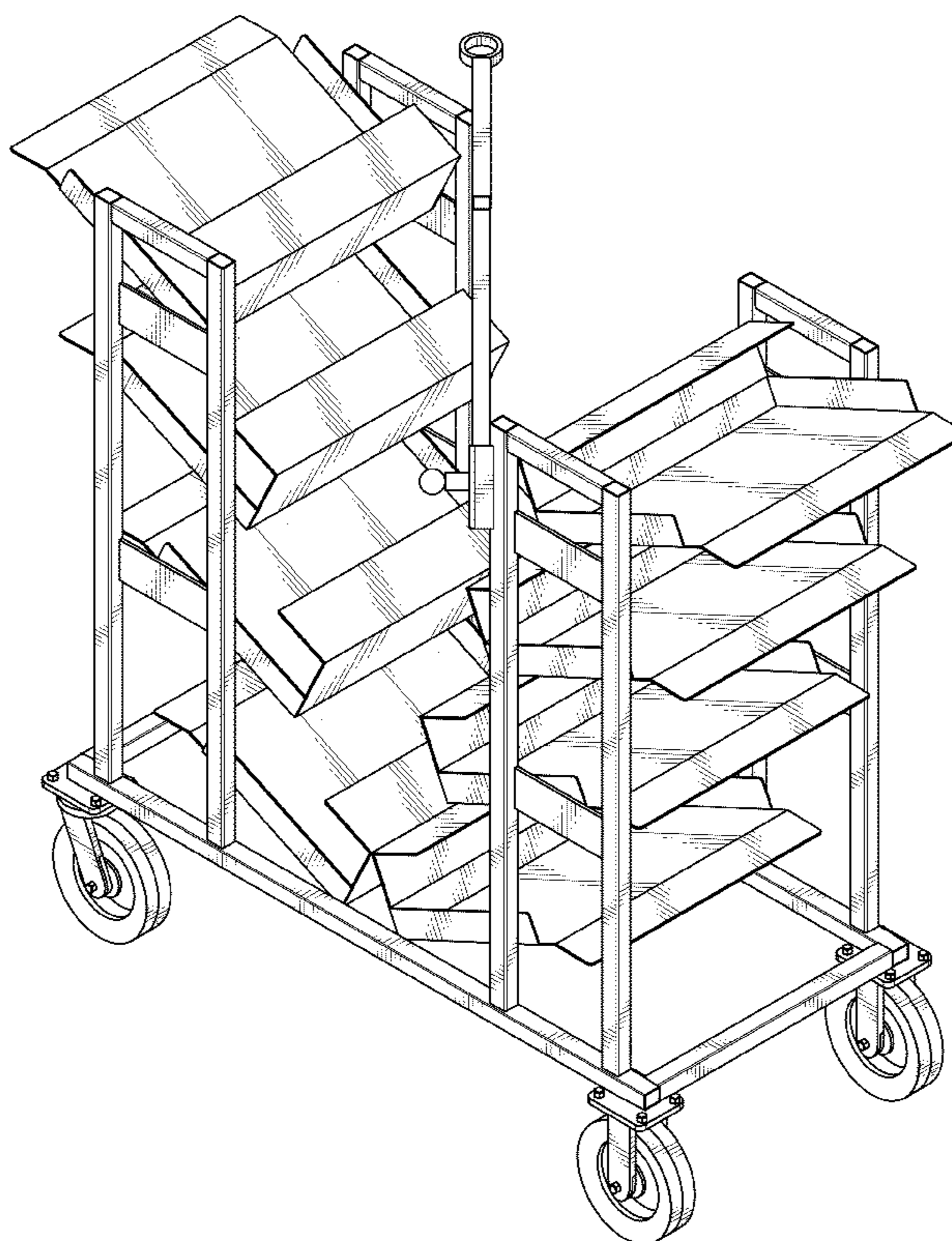
(57) **CLAIM**

The ornamental design for a cart, as shown and described.

DESCRIPTION

FIG. 1 is an isometric view of a cart according to our design;
FIG. 2 is a front view thereof;
FIG. 3 is a rear view thereof;
FIGS. 4 and 5 are side views thereof;
FIG. 6 is a top view thereof; and,
FIG. 7 is a bottom view thereof.

1 Claim, 6 Drawing Sheets



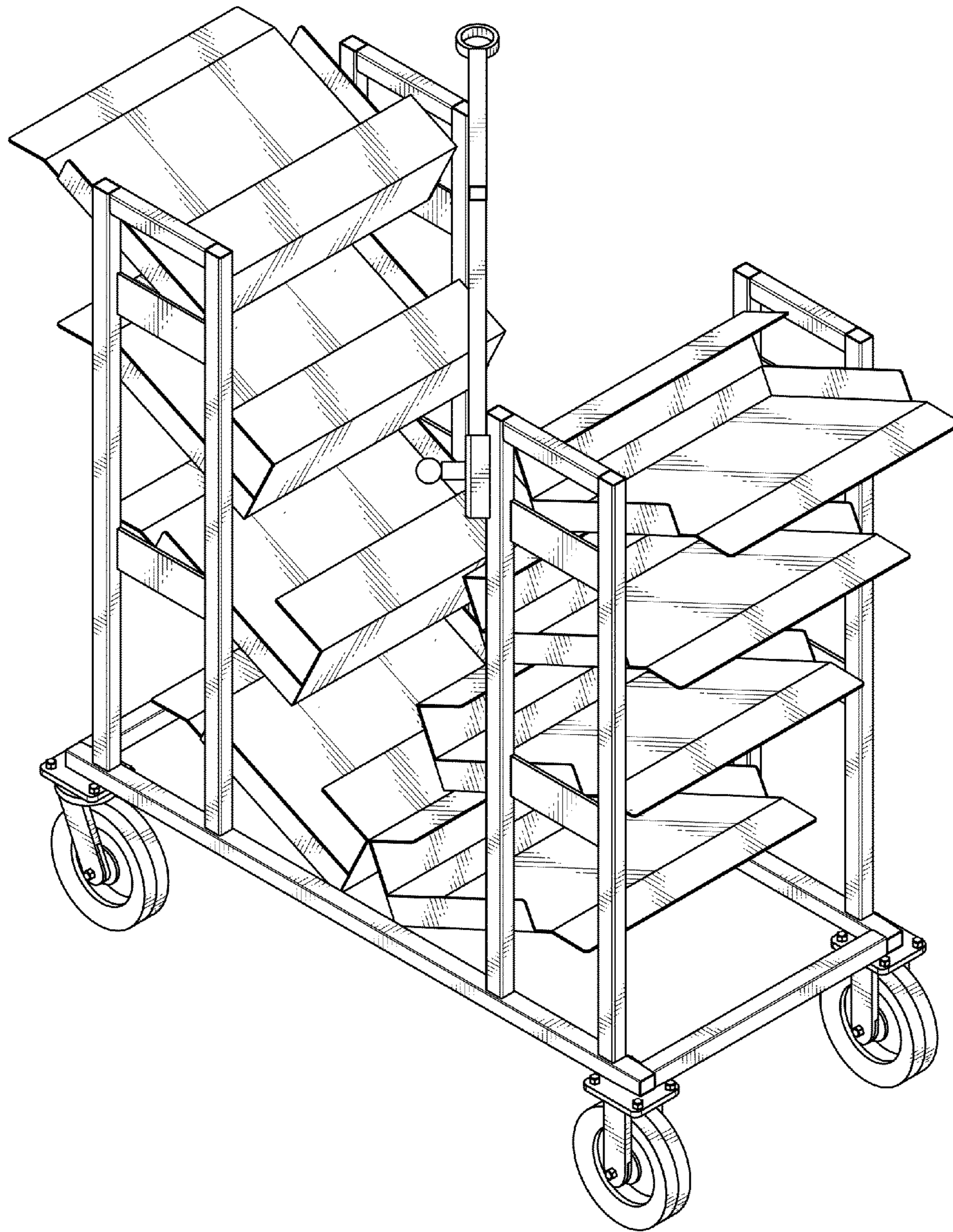


FIG. 1

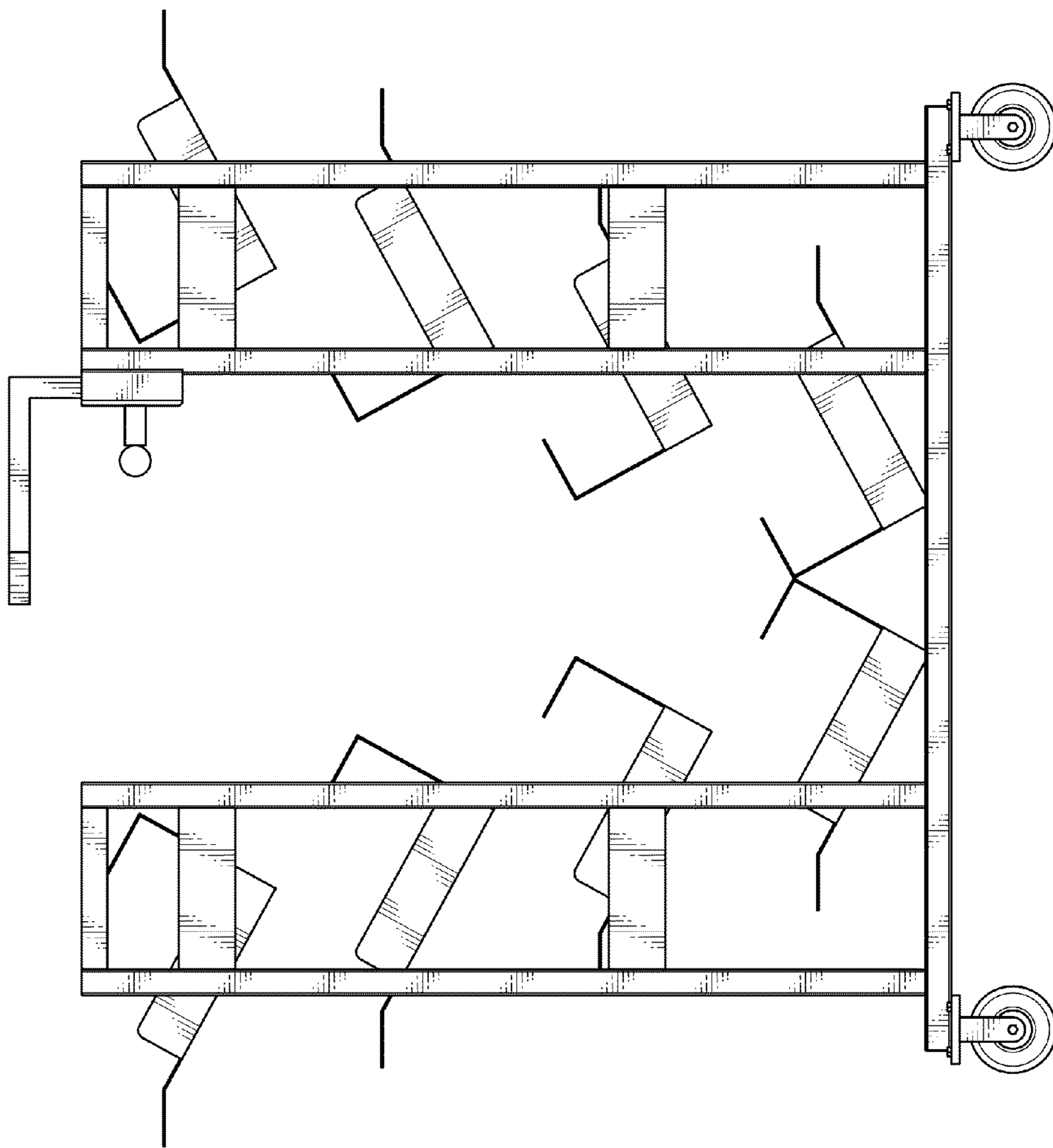


FIG. 2

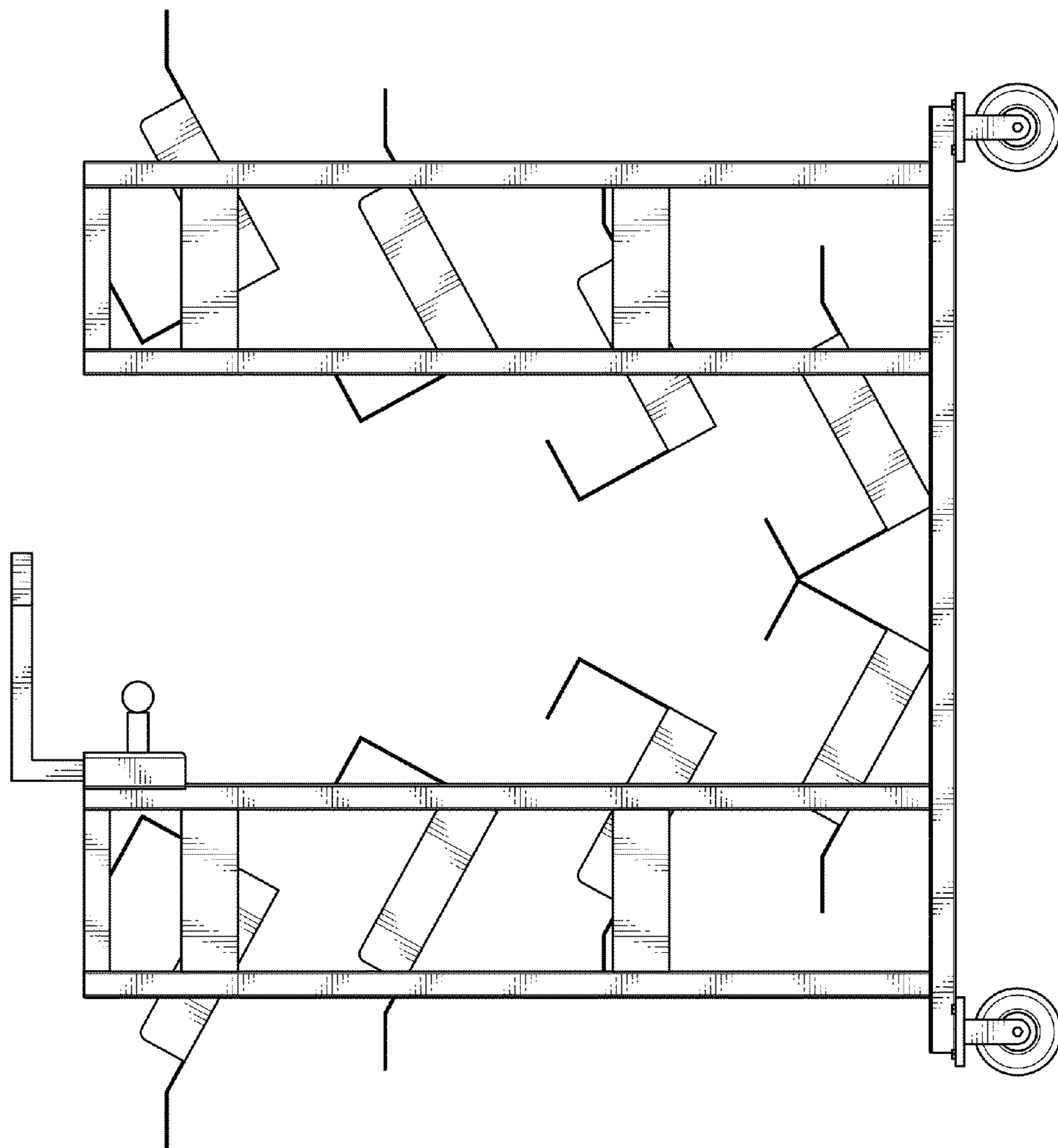


FIG. 3

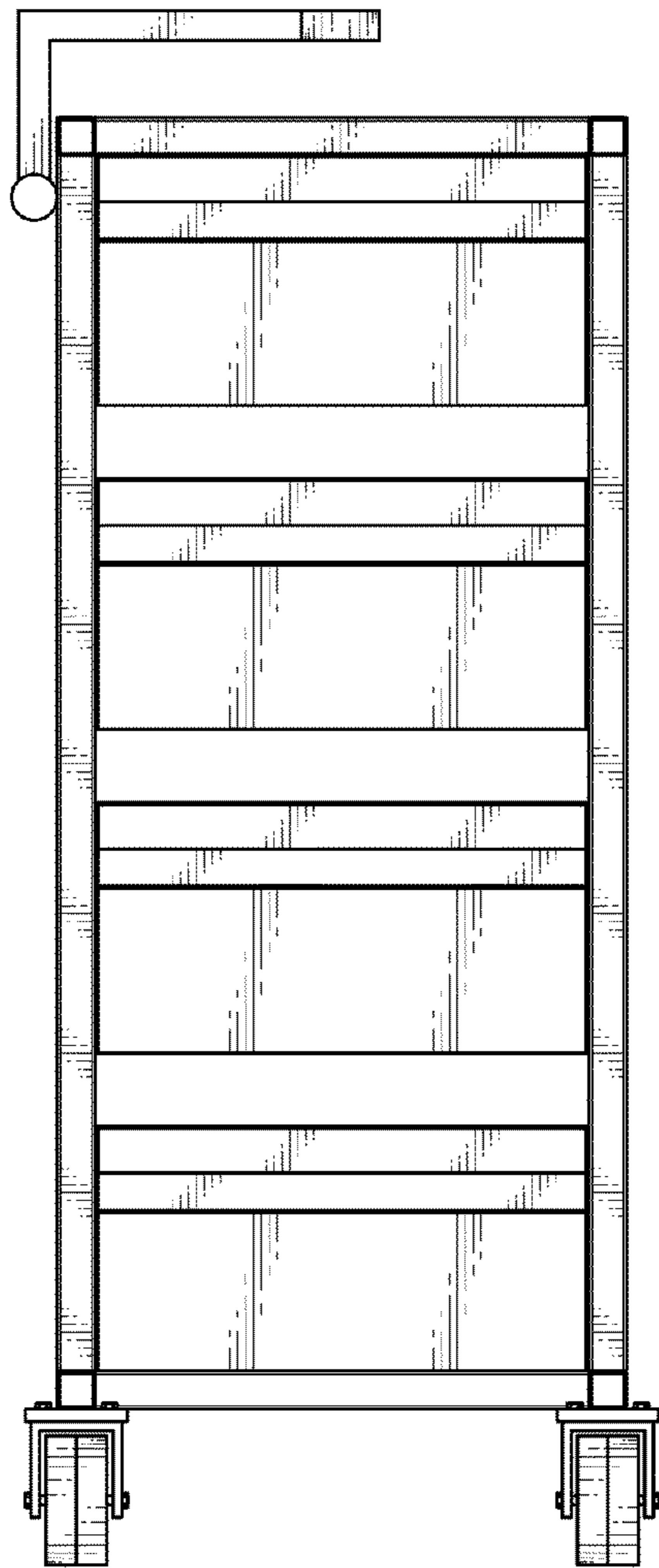


FIG. 4

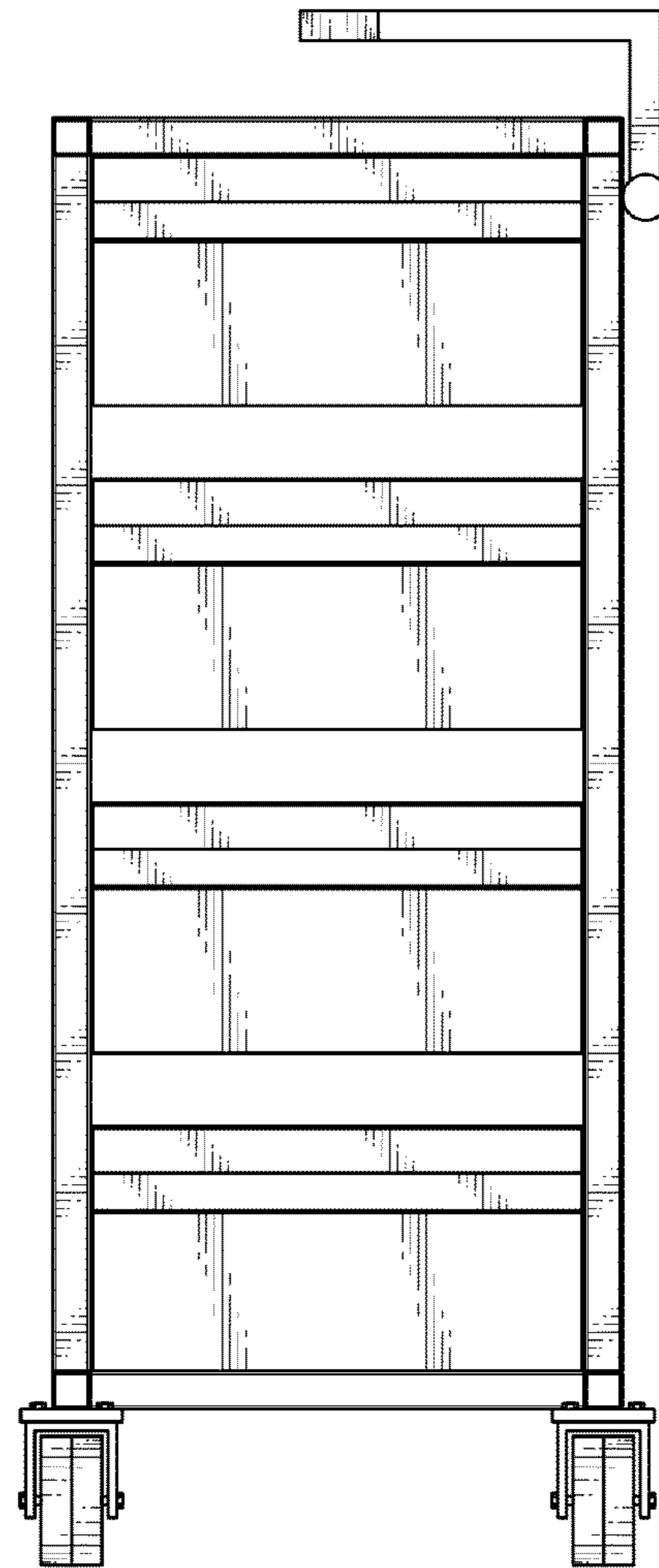


FIG. 5

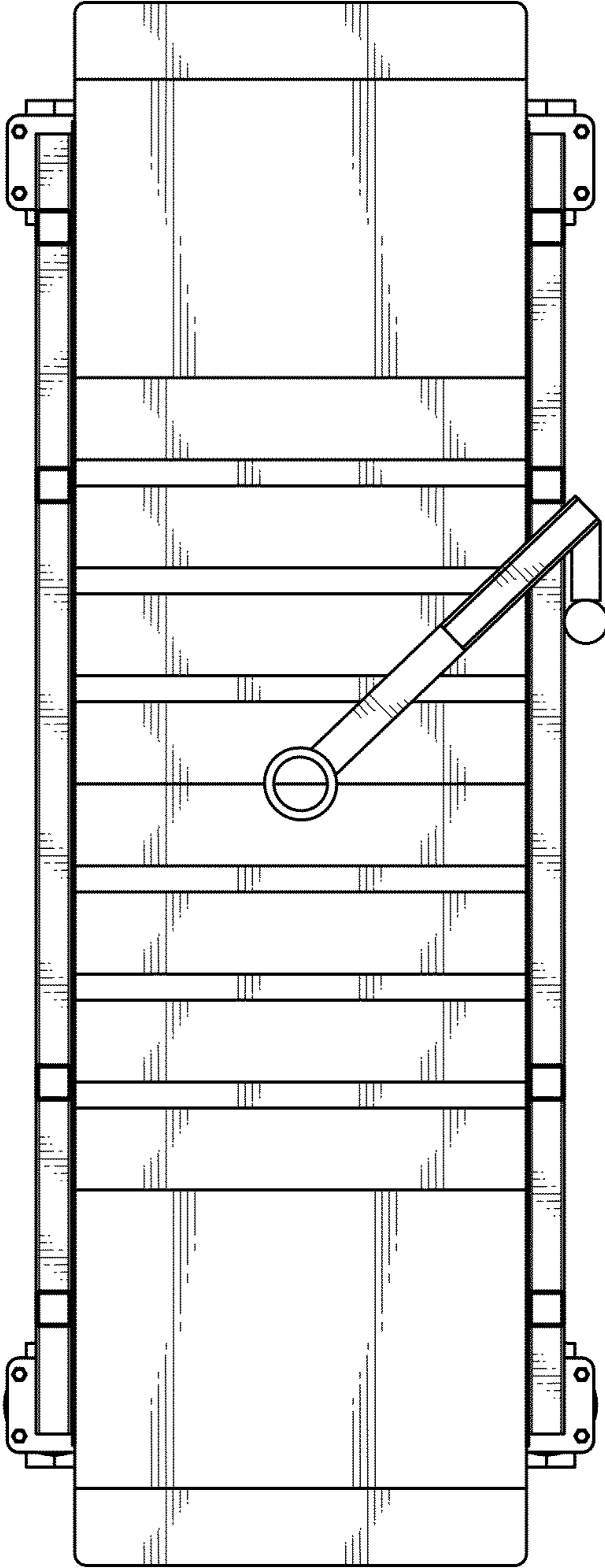


FIG. 6

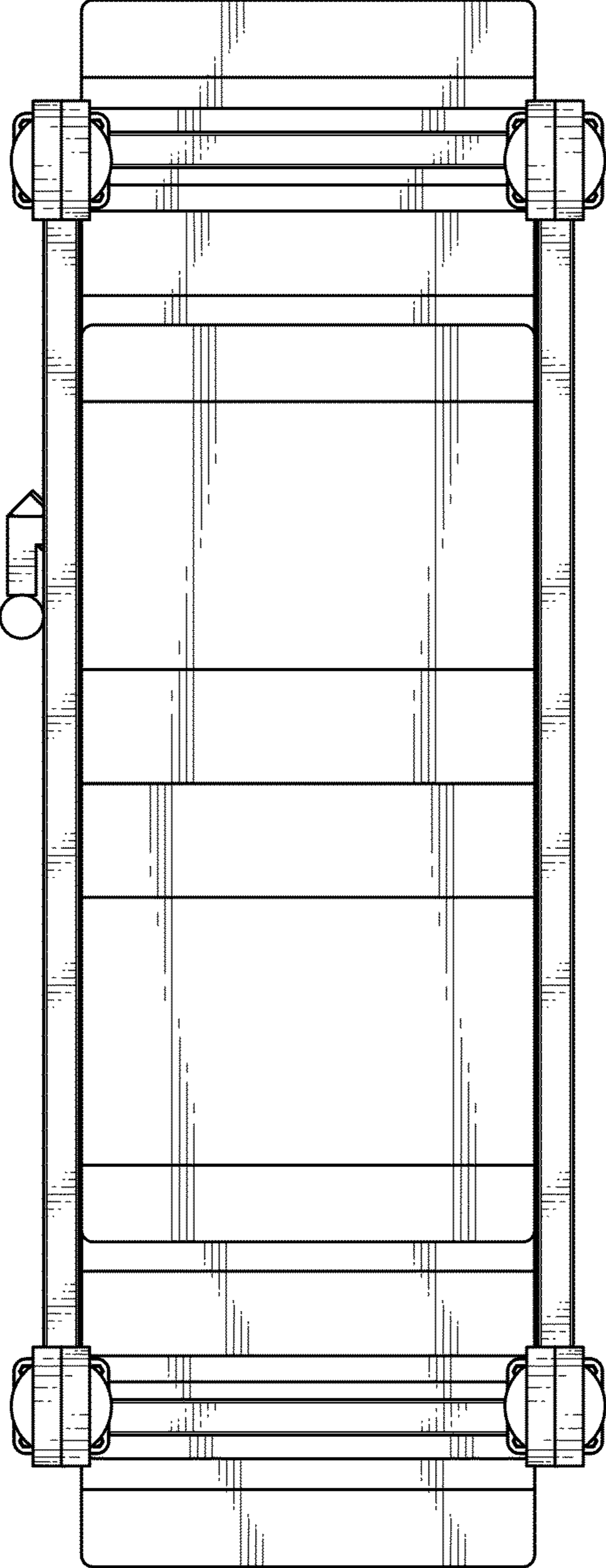


FIG. 7