



US00D707911S

(12) **United States Design Patent**  
**Nolet et al.**

(10) **Patent No.:** **US D707,911 S**  
(45) **Date of Patent:** **\*\* Jun. 24, 2014**

(54) **LID**

(71) Applicant: **IPL Inc., St-Damien (CA)**

(72) Inventors: **Roch Nolet, St-Joseph (CA); Luc Petitpas, L'Ancienne-Lorette (CA); Francis Cote, St-Nicolas (CA); Yvan Marcoux, St-Joseph-de-Beauce (CA); Celine Gagnon, Charny (CA)**

(73) Assignee: **IPL Inc., St-Damien (CA)**

(\*\*) Term: **14 Years**

(21) Appl. No.: **29/456,079**

(22) Filed: **May 28, 2013**

(51) **LOC (10) Cl.** ..... **09-09**

(52) **U.S. Cl.**  
USPC ..... **D34/11**

(58) **Field of Classification Search**  
USPC ..... D34/1, 5, 6, 7, 8, 9, 10, 11; 220/908, 220/908.1, 625, DIG. 12, DIG. 14; 280/47.26

See application file for complete search history.

D478,197 S \* 8/2003 Raghunathan ..... D34/5  
D491,328 S \* 6/2004 Aiken et al. .... D34/5  
7,070,064 B1 \* 7/2006 Henry et al. .... 220/262  
D532,173 S \* 11/2006 Aiken et al. .... D34/5  
D535,448 S \* 1/2007 Kilduff et al. .... D34/5

(Continued)

**FOREIGN PATENT DOCUMENTS**

CA	2624658	9/2009
CA	2624663	9/2009
CA	2636306	9/2009

**OTHER PUBLICATIONS**

Cascade Waste and Recycling Carts; <http://www.cascadecartsolutions.com/products/waste-recycling-carts/icon-series>; Dec. 14, 2012.

(Continued)

*Primary Examiner* — Cynthia Ramirez

(57) **CLAIM**  
The ornamental design for a lid, as shown and described.

**DESCRIPTION**

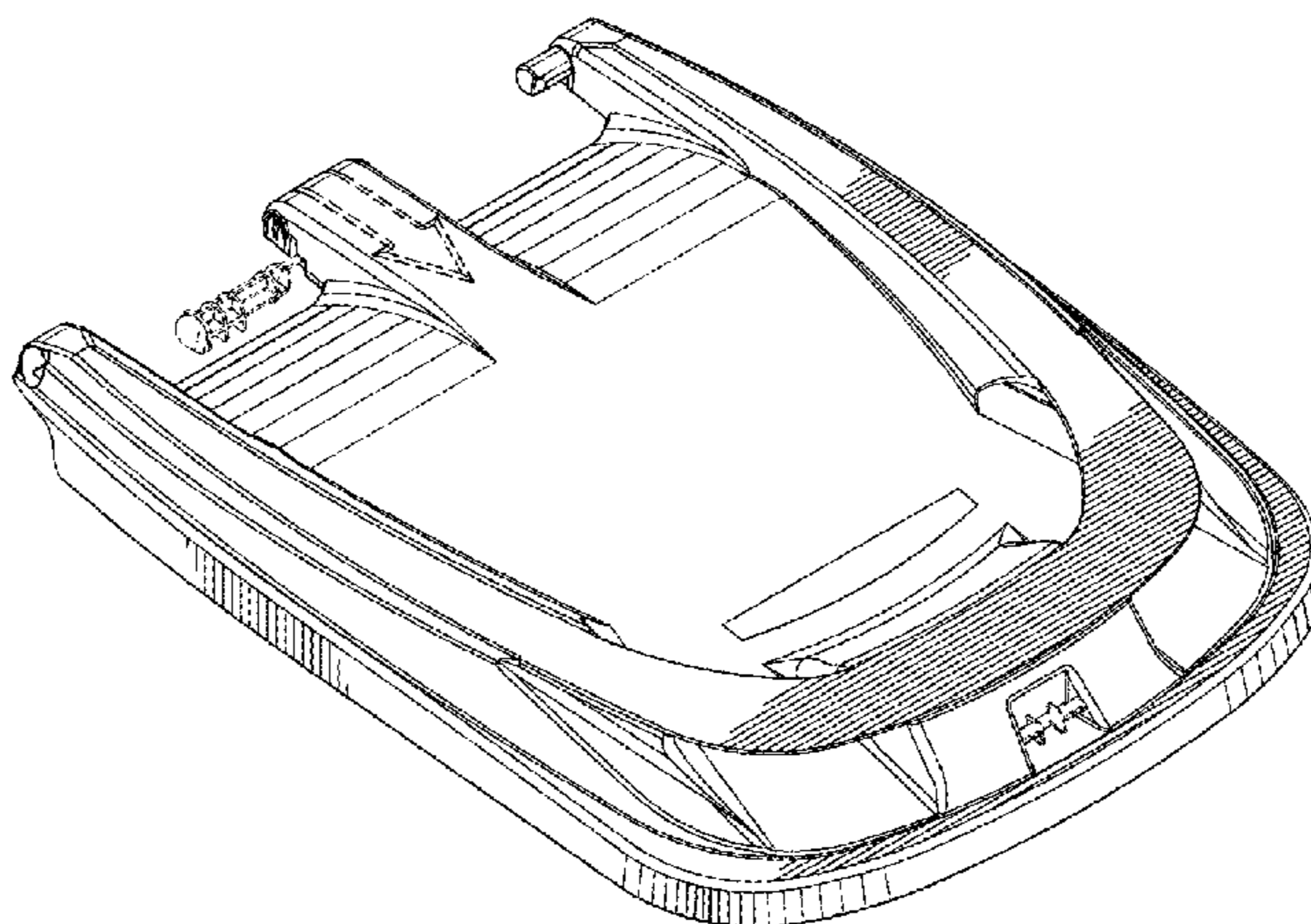
FIG. 1 is a perspective view of a lid showing our new design; FIG. 2 is a front view of the lid of FIG. 1; FIG. 3 is a first side view of the lid of FIG. 1; FIG. 4 is a second side view of the lid of FIG. 1; FIG. 5 is a top view of the lid of FIG. 1; FIG. 6 is a rear view of the lid of FIG. 1; and, FIG. 7 is a bottom view of the lid of FIG. 1. The broken line showing of portions of the lid is included for the purpose of illustrating environmental structure and forms no part of the claimed design.

**1 Claim, 3 Drawing Sheets**

(56) **References Cited**

**U.S. PATENT DOCUMENTS**

D291,739 S *	9/1987	Orlowski	.....	D34/5
D313,491 S *	1/1991	Edelhoff et al.	.....	D34/5
D355,741 S *	2/1995	Craft et al.	.....	D34/5
D365,428 S *	12/1995	Prout et al.	.....	D34/5
D398,120 S *	9/1998	Rehrig et al.	.....	D34/5
D410,125 S *	5/1999	Rehrig et al.	.....	D34/11
D429,398 S *	8/2000	Wysocki	.....	D34/1
D445,228 S *	7/2001	Apps et al.	.....	D34/5
D470,989 S *	2/2003	Tuduri	.....	D34/11
D474,319 S *	5/2003	Tuduri	.....	D34/11
D477,899 S *	7/2003	Tuduri	.....	D34/11



(56)

**References Cited**

U.S. PATENT DOCUMENTS

7,172,088 B2 2/2007 McDade et al.  
 D564,722 S \* 3/2008 Hogarth et al. .... D34/5  
 D577,170 S \* 9/2008 Meers ..... D34/5  
 D624,723 S \* 9/2010 Raghunathan et al. .... D34/5  
 D634,912 S \* 3/2011 Pouliot et al. .... D34/11  
 D641,121 S \* 7/2011 Rampton et al. .... D34/5  
 D643,174 S \* 8/2011 Raghunathan et al. .... D34/5  
 D646,037 S \* 9/2011 Arthurson ..... D34/9  
 D657,106 S \* 4/2012 Talbot Pouliot et al. .... D34/5  
 D659,338 S \* 5/2012 Gardner ..... D34/5  
 8,424,714 B2 \* 4/2013 Kruse et al. .... 220/756  
 8,430,267 B2 \* 4/2013 Kilduff et al. .... 220/770  
 2003/0155366 A1 \* 8/2003 Raghunathan ..... 220/835  
 2003/0213808 A1 \* 11/2003 Berger ..... 220/832  
 2004/0074913 A1 4/2004 McDade et al.  
 2009/0223965 A1 9/2009 Raghunathan et al.

2011/0049151 A1 3/2011 Raghunathan et al.  
 2011/0049152 A1 3/2011 Raghunathan et al.  
 2013/0048654 A1 2/2013 Kilduff et al.

OTHER PUBLICATIONS

Otto Roll-out carts; <http://ottoenvironmentalsystems.thomasnet-navigator.com/category/residential-refuse-and-recycling-carts>; Dec. 14, 2012.  
 Rehrig Roll-Out Carts; <http://www.rehrigpacific.com/products-and-services/waste-recycling-and-public-works/roll-out-carts-and-recycle-bins/roll-out-carts>; Dec. 14, 2012.  
 Schaefer 2 wheel containers; <http://www.ssi-schaefer.us/waste-management/waste-management-products/2-wheel-containers.html>; Dec. 14, 2012.  
 Sulo; Two-wheeled roll-out cart; <http://www.sulo.com.au/products/two-wheeled-2-wheelie-bin-mgb/>; Dec. 14, 2012.  
 Toter Curbside Collection Carts, roll-out carts; [http://www.toter.com/products/product-detail.cfm?product\\_id=F5949571-A635-17A8-0DBCEC04461A60F9](http://www.toter.com/products/product-detail.cfm?product_id=F5949571-A635-17A8-0DBCEC04461A60F9); Dec. 14, 2012.

\* cited by examiner

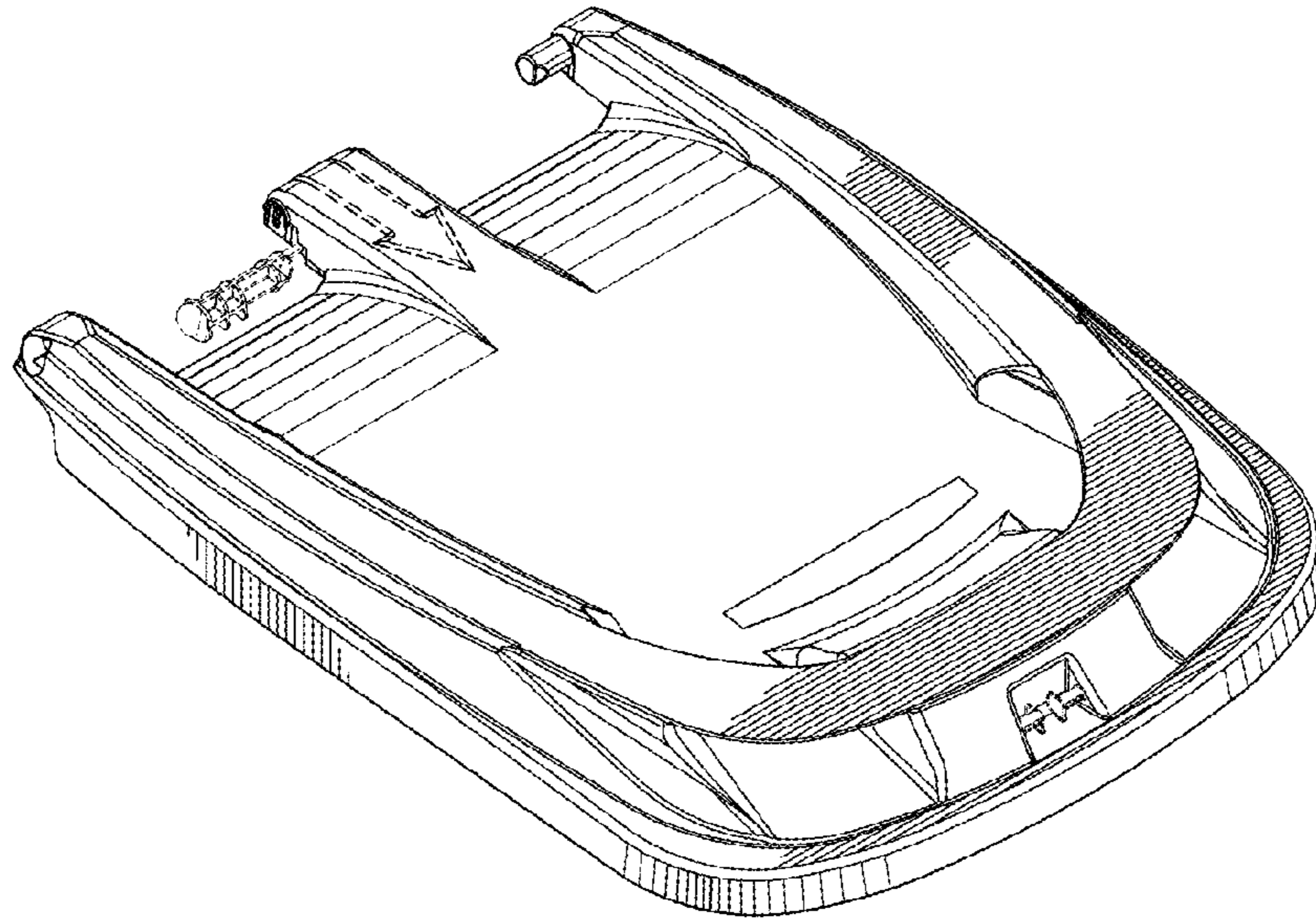


FIG. 1

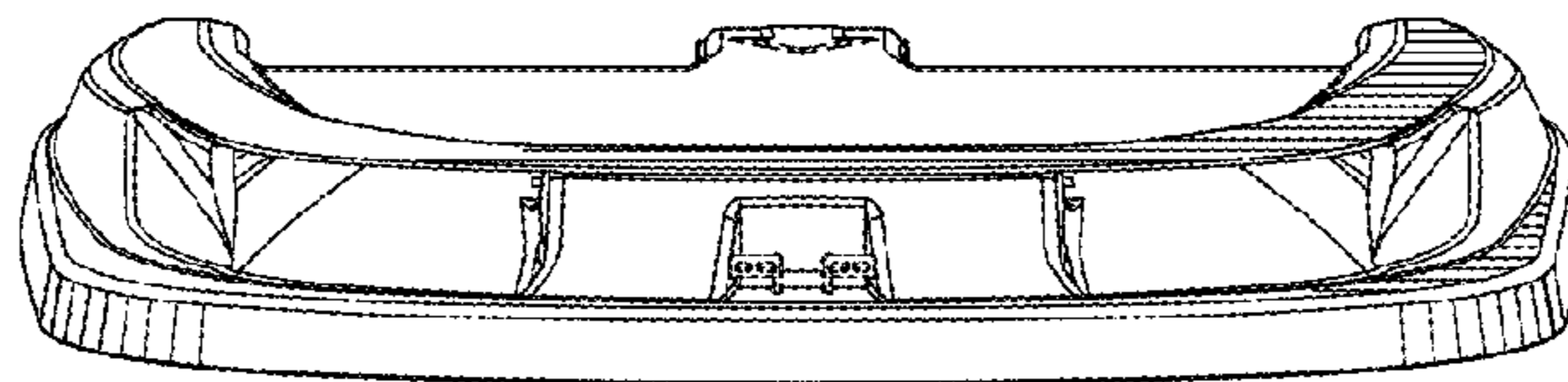


FIG. 2

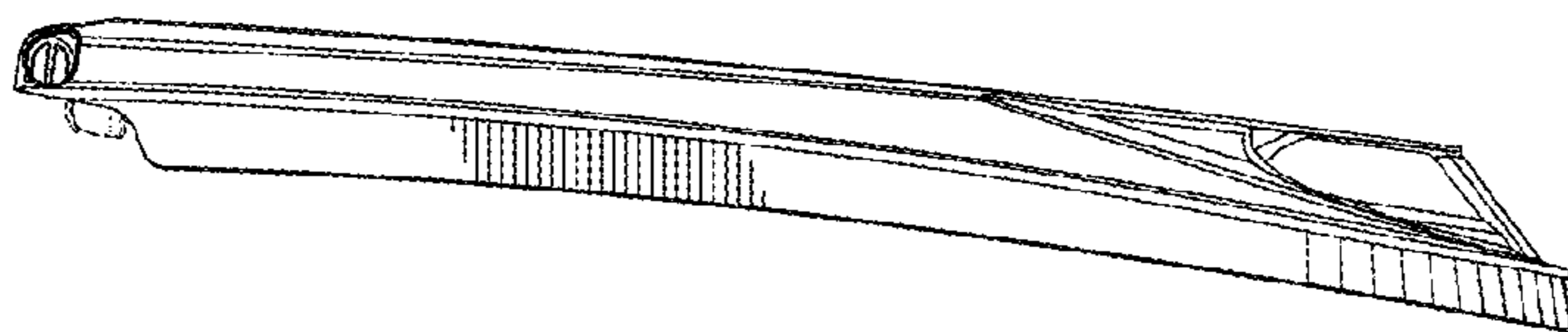


FIG. 3

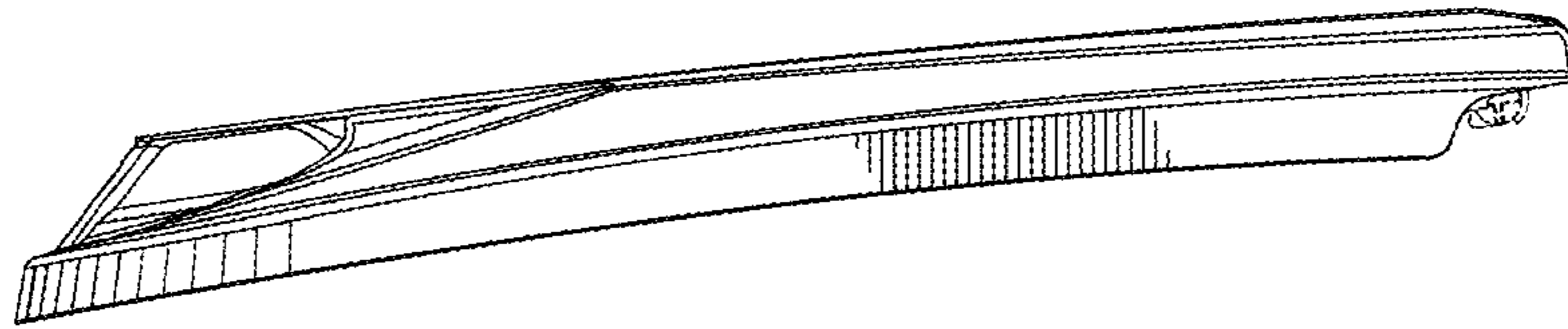


FIG. 4

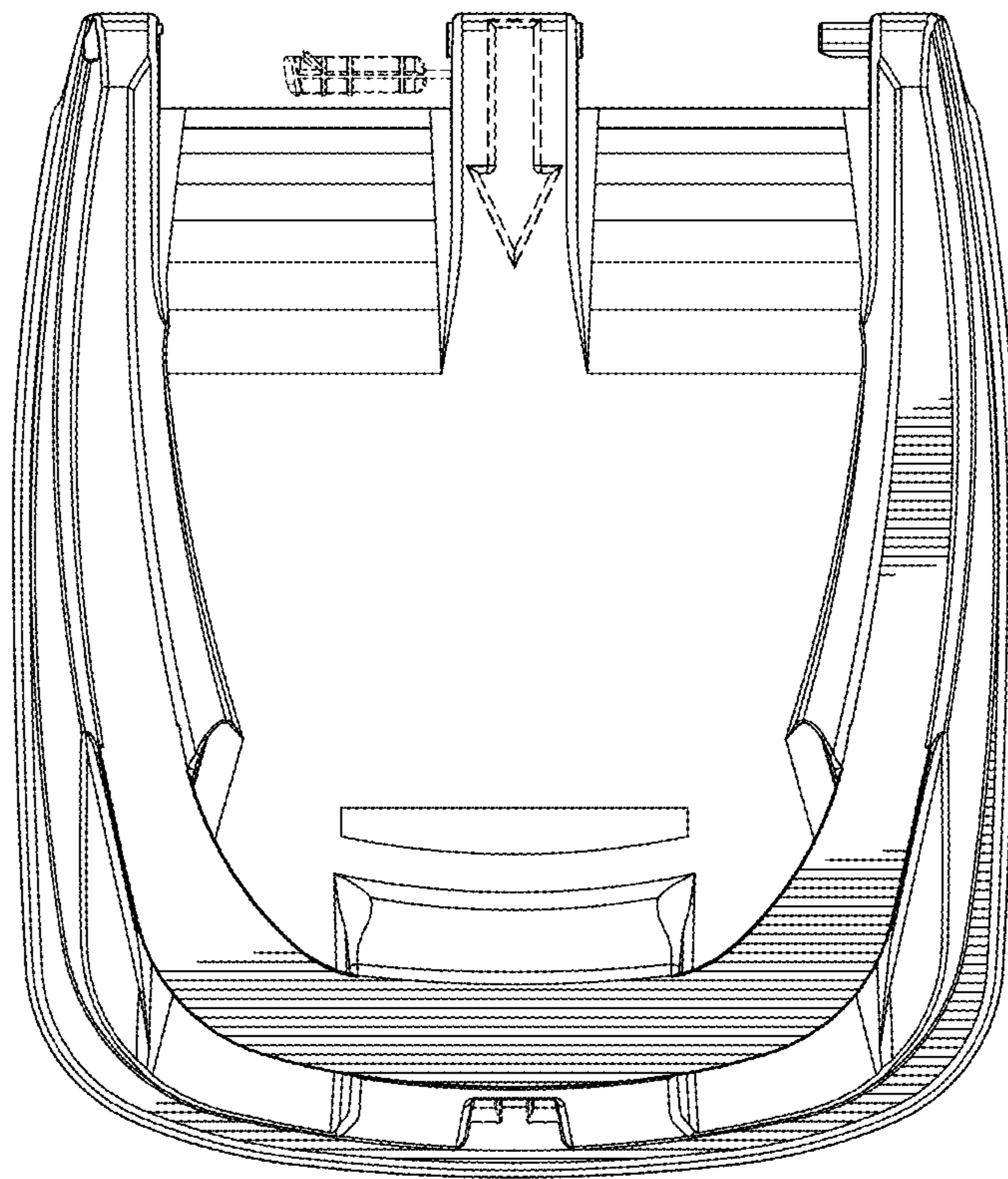


FIG. 5

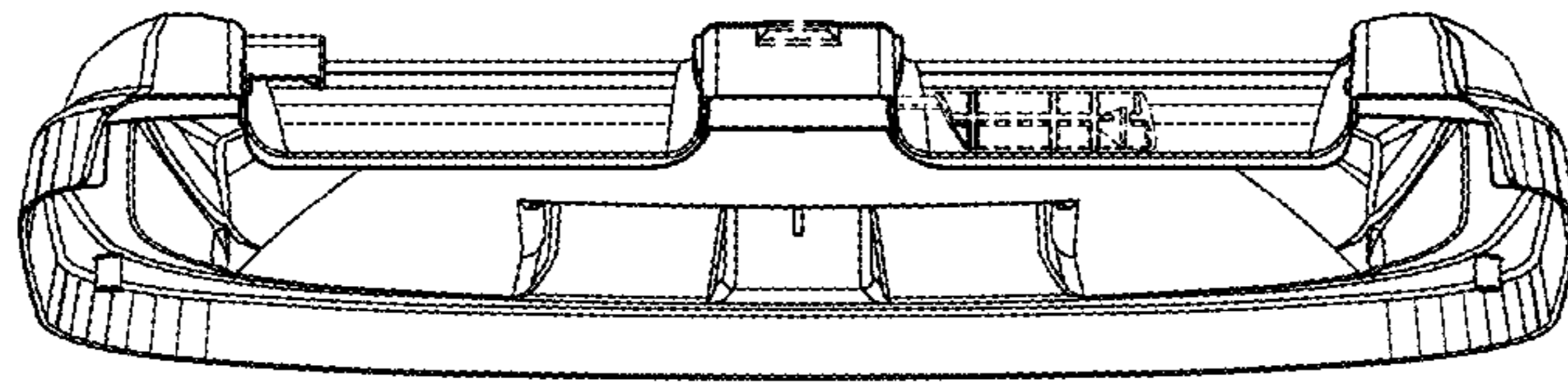


FIG. 6

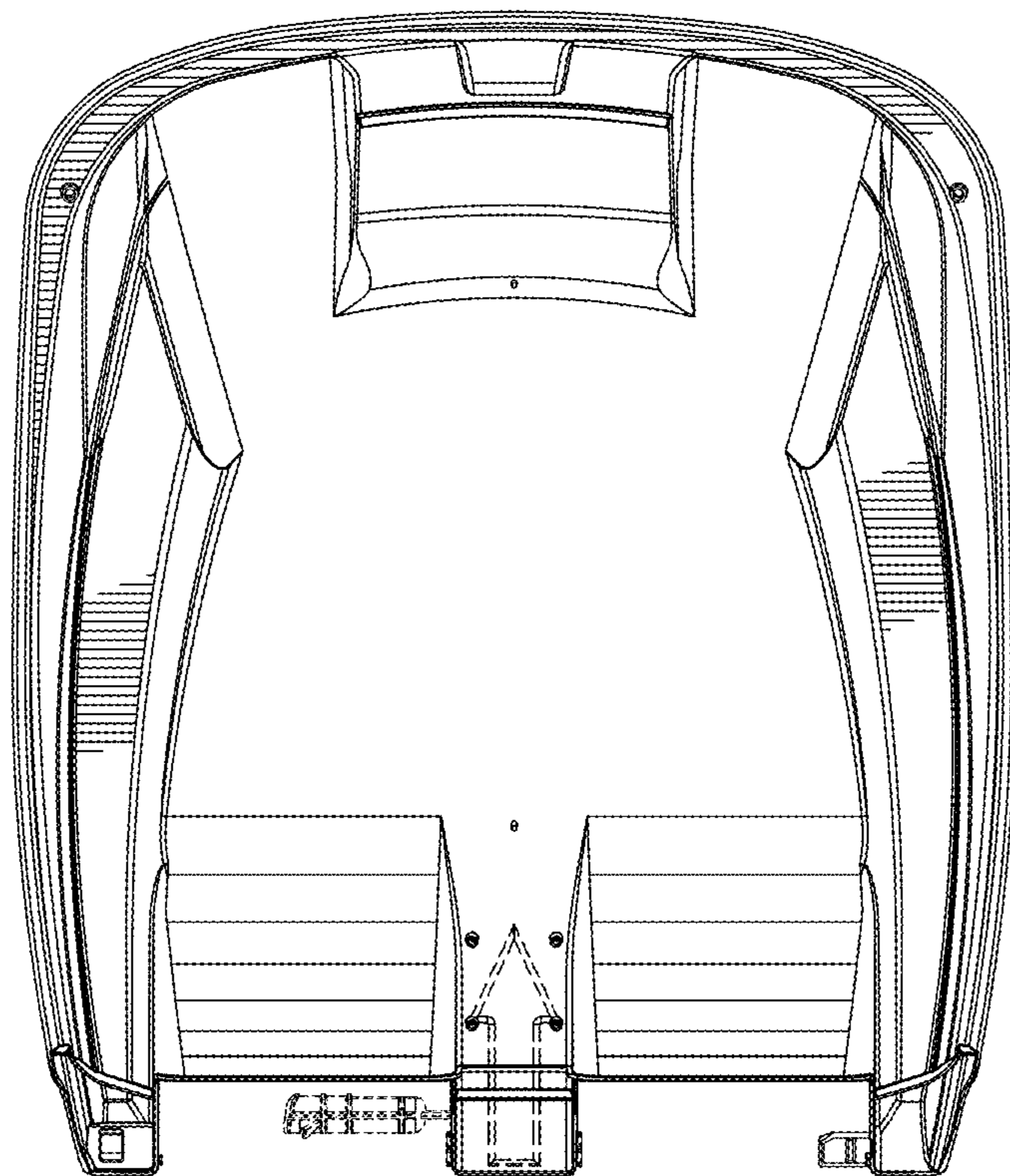


FIG. 7

UNITED STATES PATENT AND TRADEMARK OFFICE  
**CERTIFICATE OF CORRECTION**

PATENT NO. : D707,911 S  
APPLICATION NO. : 29/456079  
DATED : June 24, 2014  
INVENTOR(S) : Roch Nolet et al.

Page 1 of 1

It is certified that error appears in the above-identified patent and that said Letters Patent is hereby corrected as shown below:

On the Title Page, Item 30 should be inserted:

The Foreign Application Priority Data should read as follows: --May 27, 2013 (CA) 151233.--

Signed and Sealed this  
Twenty-sixth Day of August, 2014



Michelle K. Lee  
*Deputy Director of the United States Patent and Trademark Office*