



US00D707909S

(12) **United States Design Patent**
Hilliard

(10) **Patent No.:** **US D707,909 S**

(45) **Date of Patent:** **** Jun. 24, 2014**

(54) **SANITARY HANDLE**

2003/0098305 A1* 5/2003 Feely 220/263

* cited by examiner

(71) Applicant: **Peter A. Hilliard**, Sonoma, CA (US)

Primary Examiner — Cynthia Ramirez

(72) Inventor: **Peter A. Hilliard**, Sonoma, CA (US)

(74) *Attorney, Agent, or Firm* — Dale J. Ream

(**) Term: **14 Years**

(57) **CLAIM**

(21) Appl. No.: **29/452,502**

The ornamental design for a sanitary handle, as shown and described.

(22) Filed: **Apr. 17, 2013**

DESCRIPTION

(51) **LOC (10) Cl.** **09-09**

(52) **U.S. Cl.**

USPC **D34/10**

(58) **Field of Classification Search**

USPC D34/5, 6, 1; 220/212.5, 263, 264, 908;
16/110.1, 425; D8/308, 307

See application file for complete search history.

FIG. 1 is a front view of a sanitary handle showing my new design in use with a waste container lid;

FIG. 2 a perspective view of a sanitary handle as shown in FIG. 1;

FIG. 3 is a front view thereof;

FIG. 4 is a back view thereof;

FIG. 5 is a right side view thereof;

FIG. 6 is a left side view thereof;

FIG. 7 is a top view thereof; and,

FIG. 8 is a bottom view thereof.

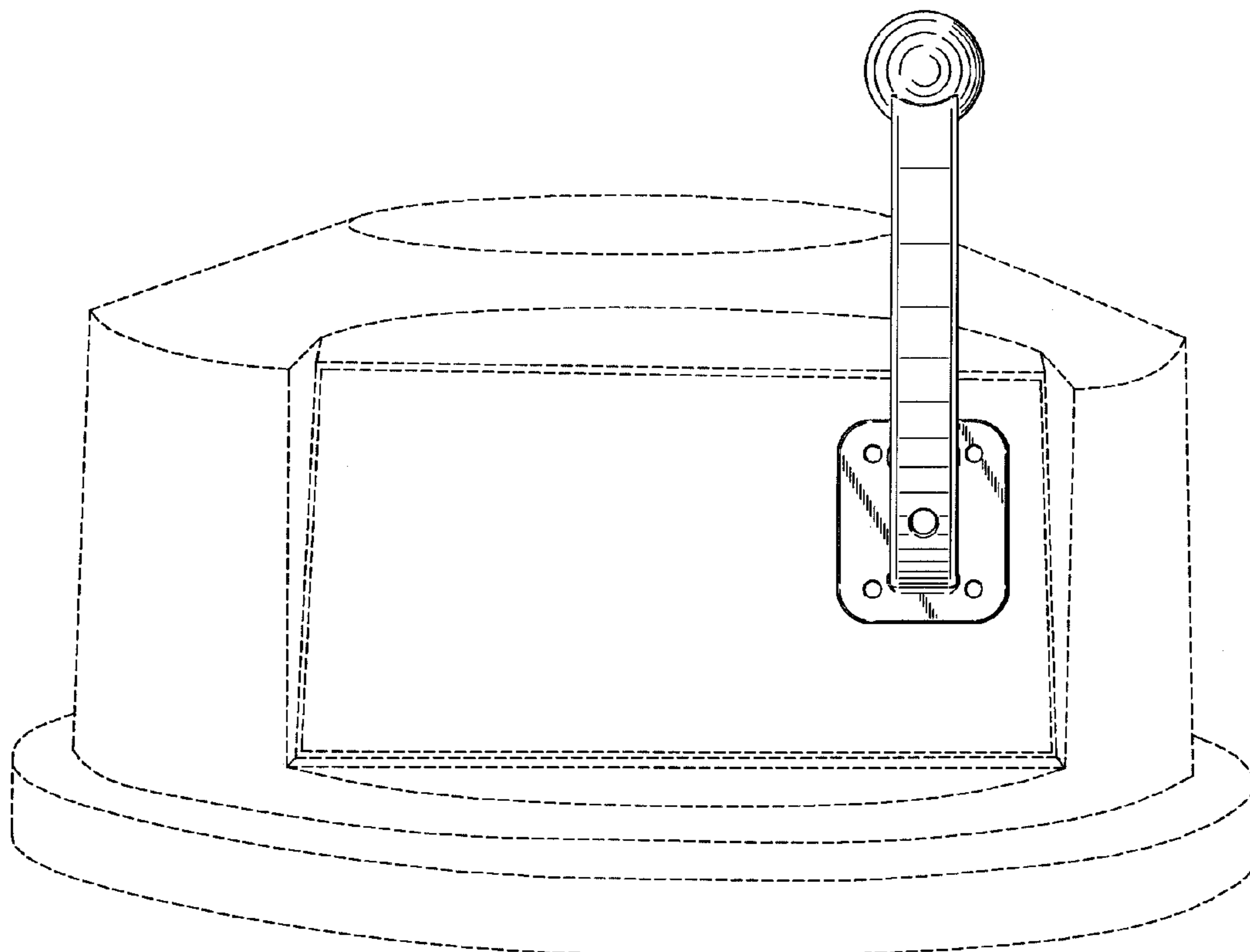
In the drawings, the broken lines showing a waste container lid illustrate environment and form no part of the claimed design.

(56) **References Cited**

U.S. PATENT DOCUMENTS

5,778,489	A *	7/1998	Marshal, II	16/425
6,267,260	B1 *	7/2001	Lyons	220/212.5
D470,988	S *	2/2003	Shepphird et al.	D34/10
D500,946	S *	1/2005	Trzaska	D8/308
D522,838	S *	6/2006	Bruce	D8/307

1 Claim, 6 Drawing Sheets



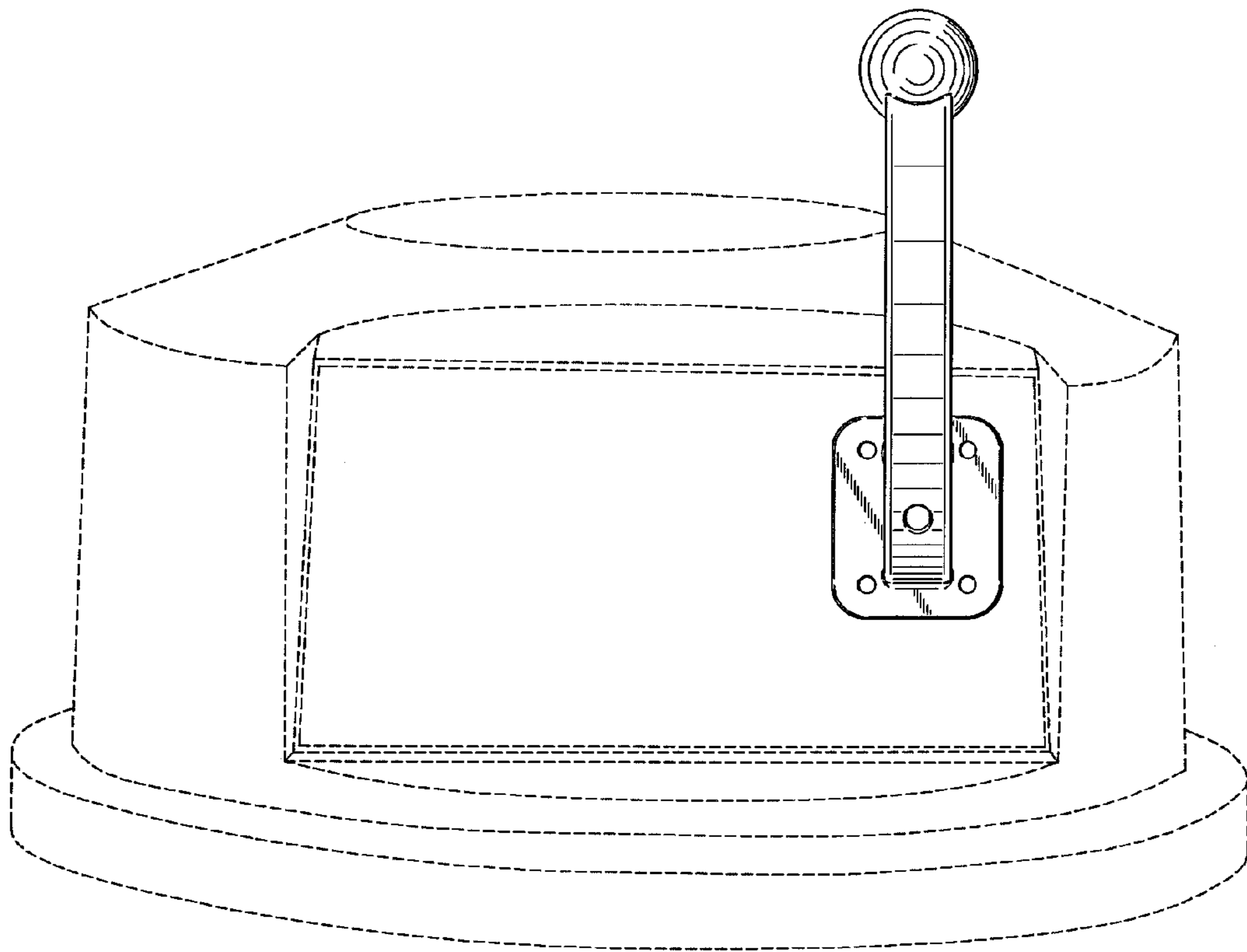


Fig. 1

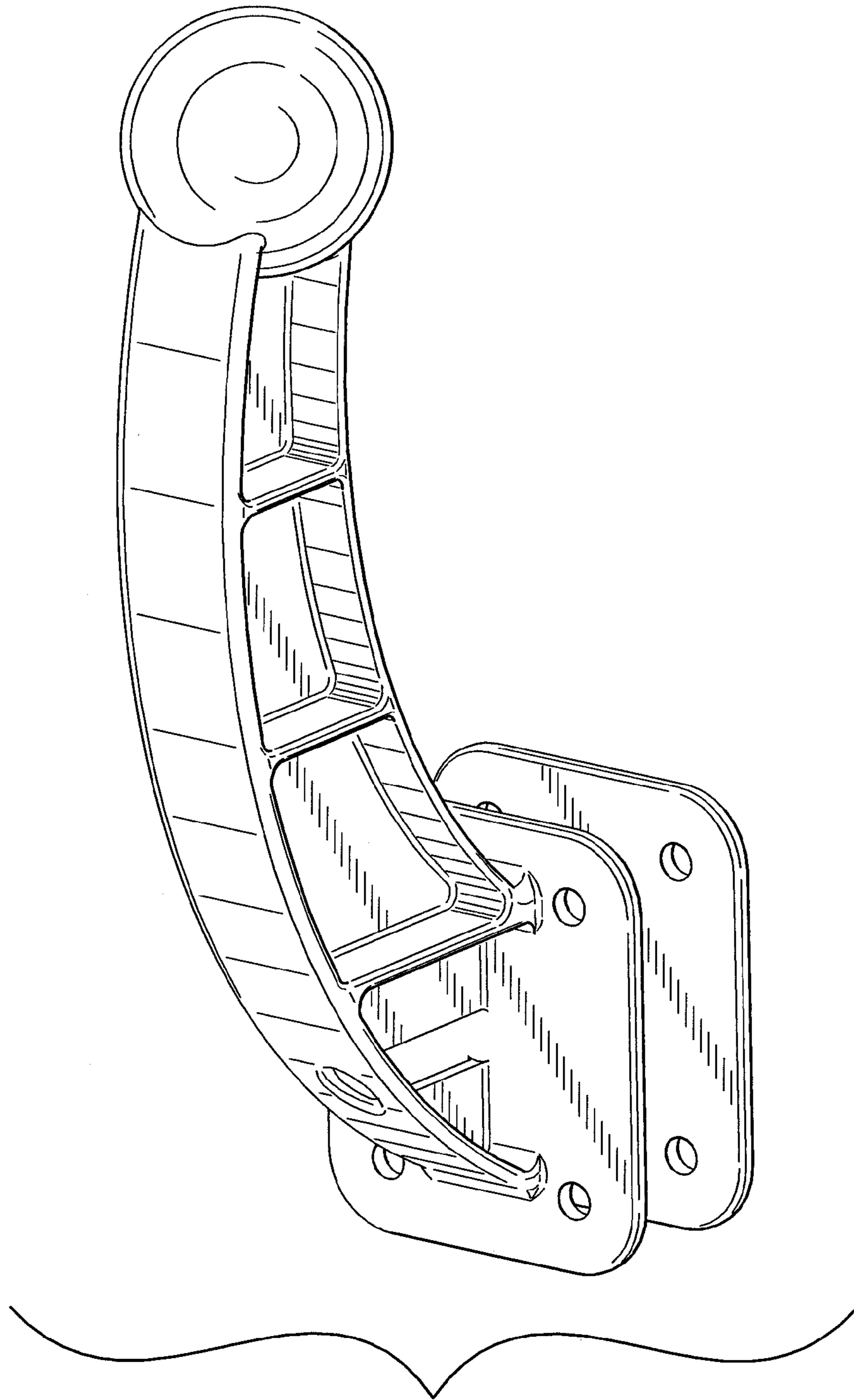


Fig. 2

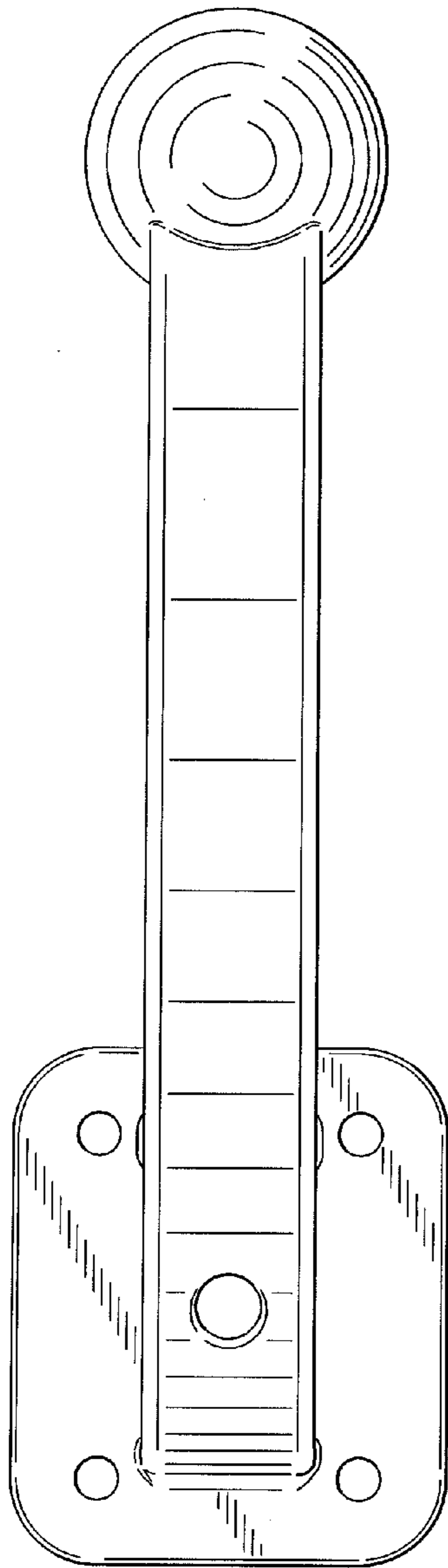


Fig. 3

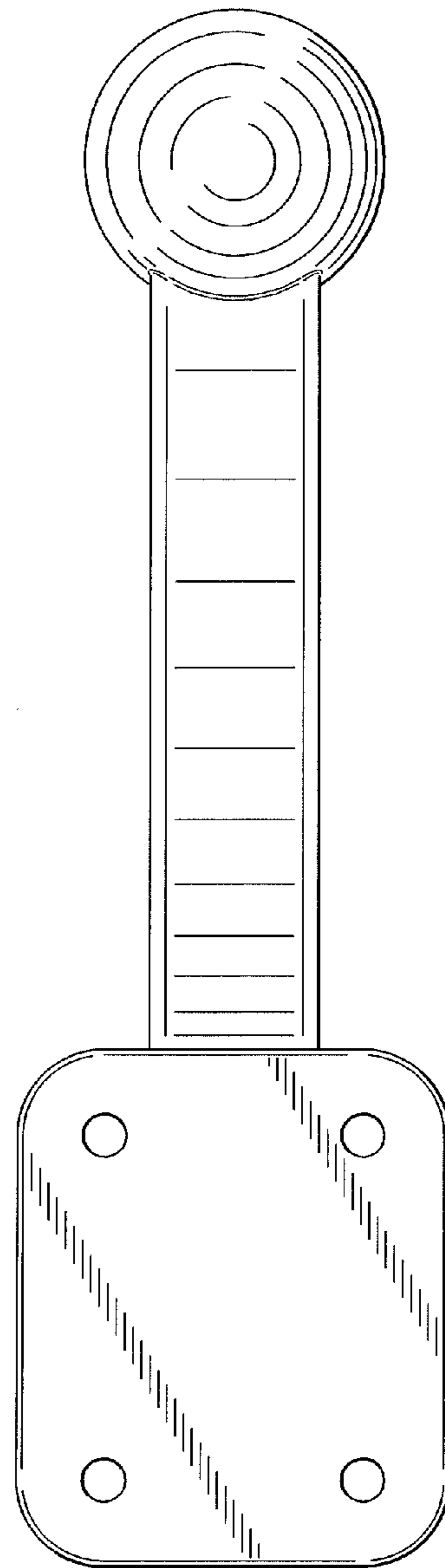


Fig. 4

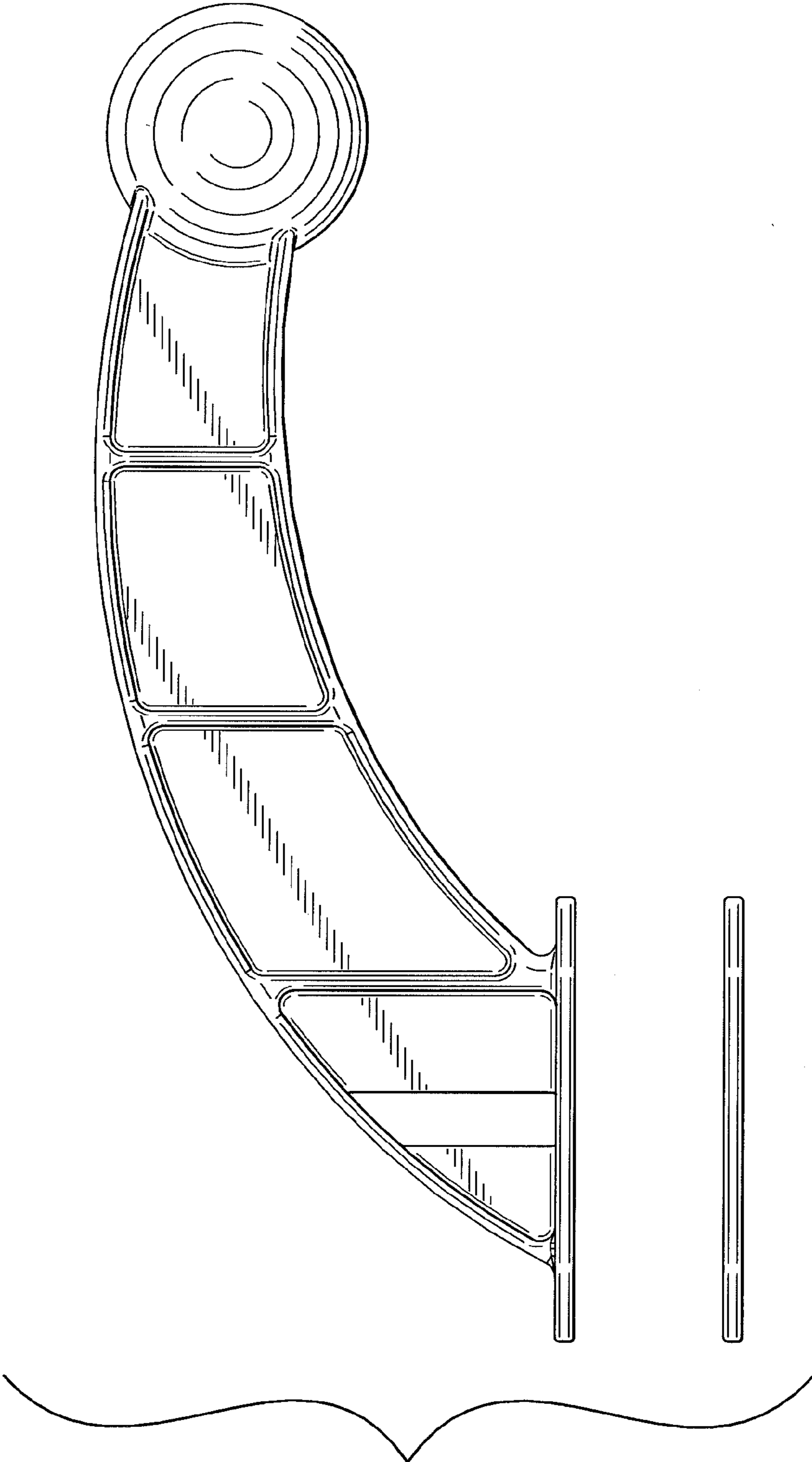


Fig. 5

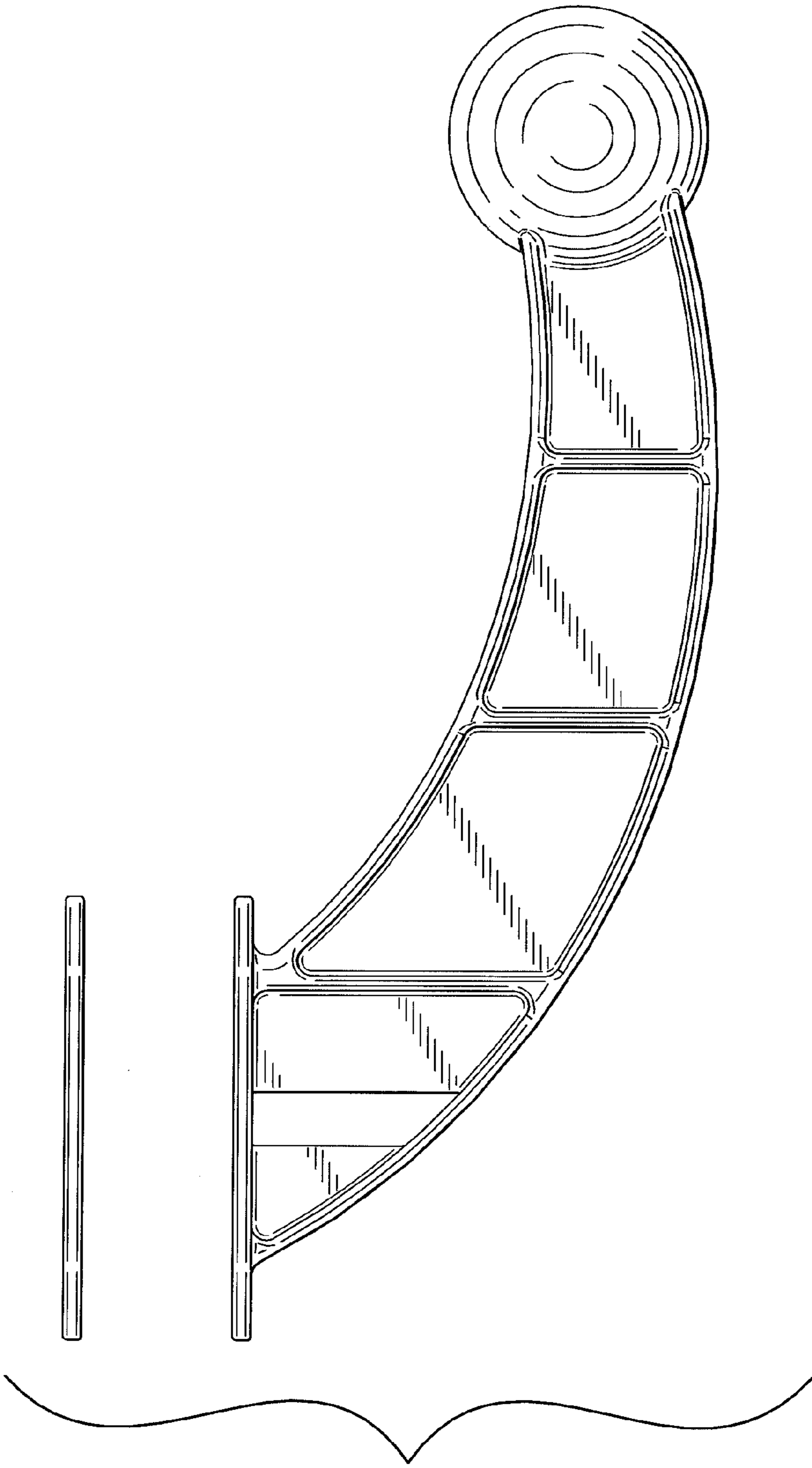


Fig. 6

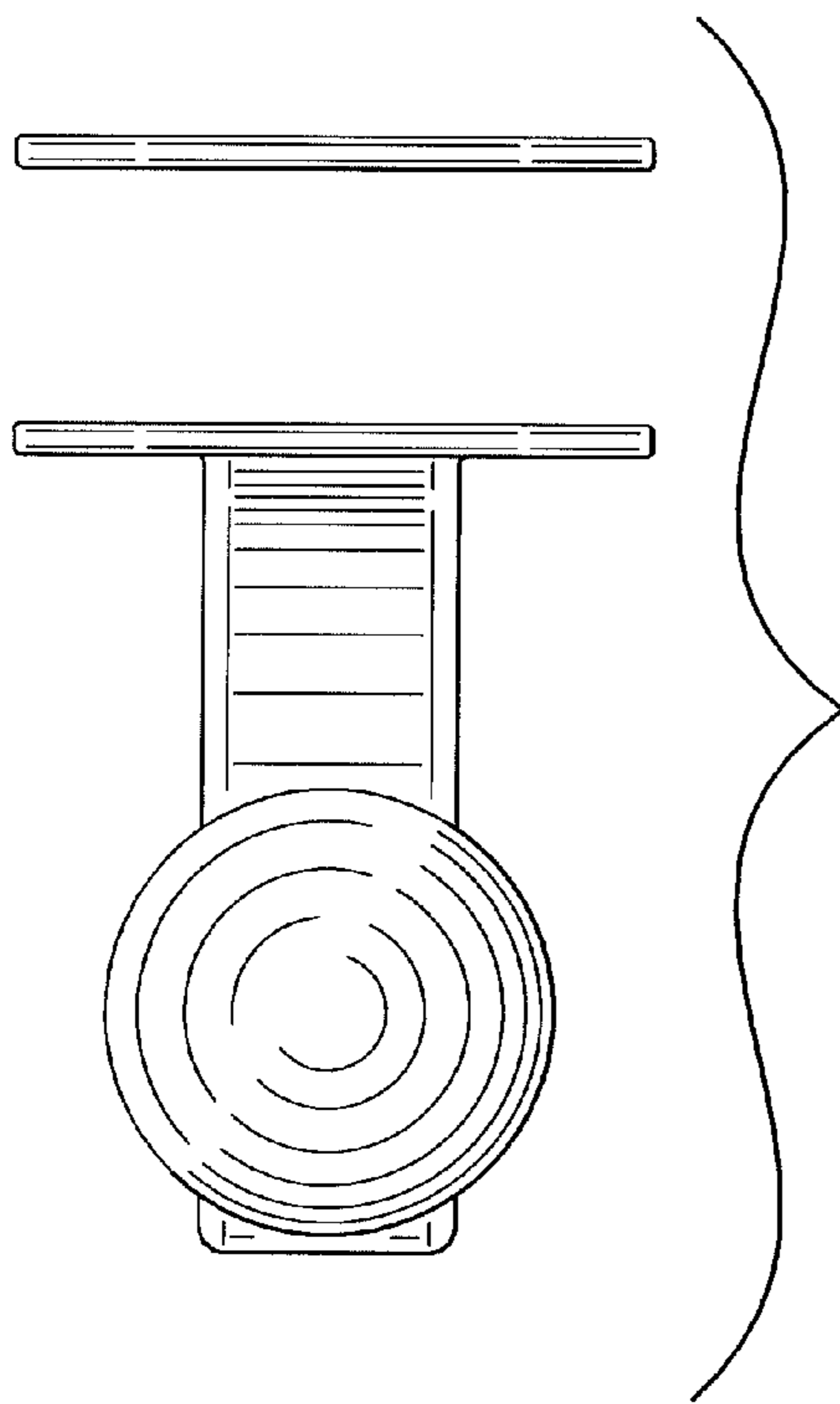


Fig. 7

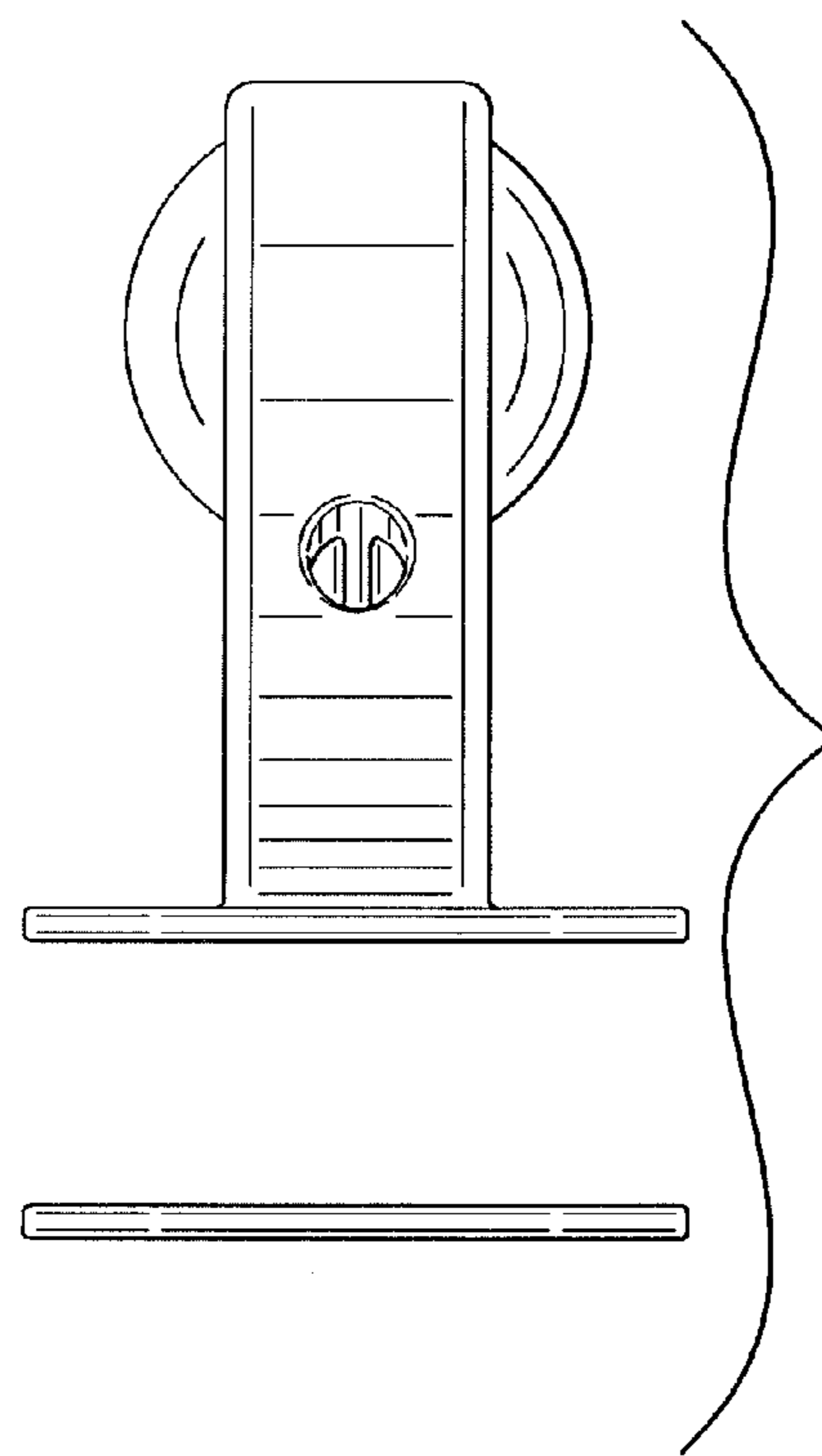


Fig. 8