



US00D707908S

(12) **United States Design Patent**
Nolet et al.

(10) **Patent No.:** **US D707,908 S**
(45) **Date of Patent:** **** Jun. 24, 2014**

(54) **WASTE CONTAINER**

(71) Applicant: **IPL Inc., St-Damien (CA)**

(72) Inventors: **Roch Nolet, St-Joseph (CA); Luc Petitpas, L'Ancienne-Lorette (CA); Francis Cote, St-Nicolas (CA); Yvan Marcoux, St-Joseph-de-Beauce (CA); Celine Gagnon, Charny (CA)**

(73) Assignee: **IPL Inc., St-Damien (CA)**

(**) Term: **14 Years**

(21) Appl. No.: **29/456,084**

(22) Filed: **May 28, 2013**

(30) **Foreign Application Priority Data**

May 27, 2013 (CA) 151224

(51) **LOC (10) Cl.** **09-09**

(52) **U.S. Cl.**
USPC **D34/5**

(58) **Field of Classification Search**
USPC D34/1, 5, 6, 7, 8, 9, 10, 11; 220/908, 220/908.1, 625, DIG. 12, DIG. 14; 280/47.26

See application file for complete search history.

(56) **References Cited**

U.S. PATENT DOCUMENTS

D291,739 S * 9/1987 Orłowski D34/5
D313,491 S * 1/1991 Edelhoff et al. D34/5
D355,741 S * 2/1995 Craft et al. D34/5
D365,428 S * 12/1995 Prout et al. D34/5
D398,120 S * 9/1998 Rehrig et al. D34/5
D410,125 S * 5/1999 Rehrig et al. D34/11

D429,398 S * 8/2000 Wysocki D34/1
D445,228 S * 7/2001 Apps et al. D34/5
D470,989 S * 2/2003 Tuduri D34/11
D474,319 S * 5/2003 Tuduri D34/11
D477,899 S * 7/2003 Tuduri D34/11
D478,197 S * 8/2003 Raghunathan D34/5

(Continued)

FOREIGN PATENT DOCUMENTS

CA 2624658 9/2009
CA 2624663 9/2009
CA 2636306 9/2009

OTHER PUBLICATIONS

Cascade Waste and Recycling Carts; <http://www.cascadecartsolutions.com/products/waste-recycling-carts/icon-series>; Dec. 14, 2012.

(Continued)

Primary Examiner — Cynthia Ramirez

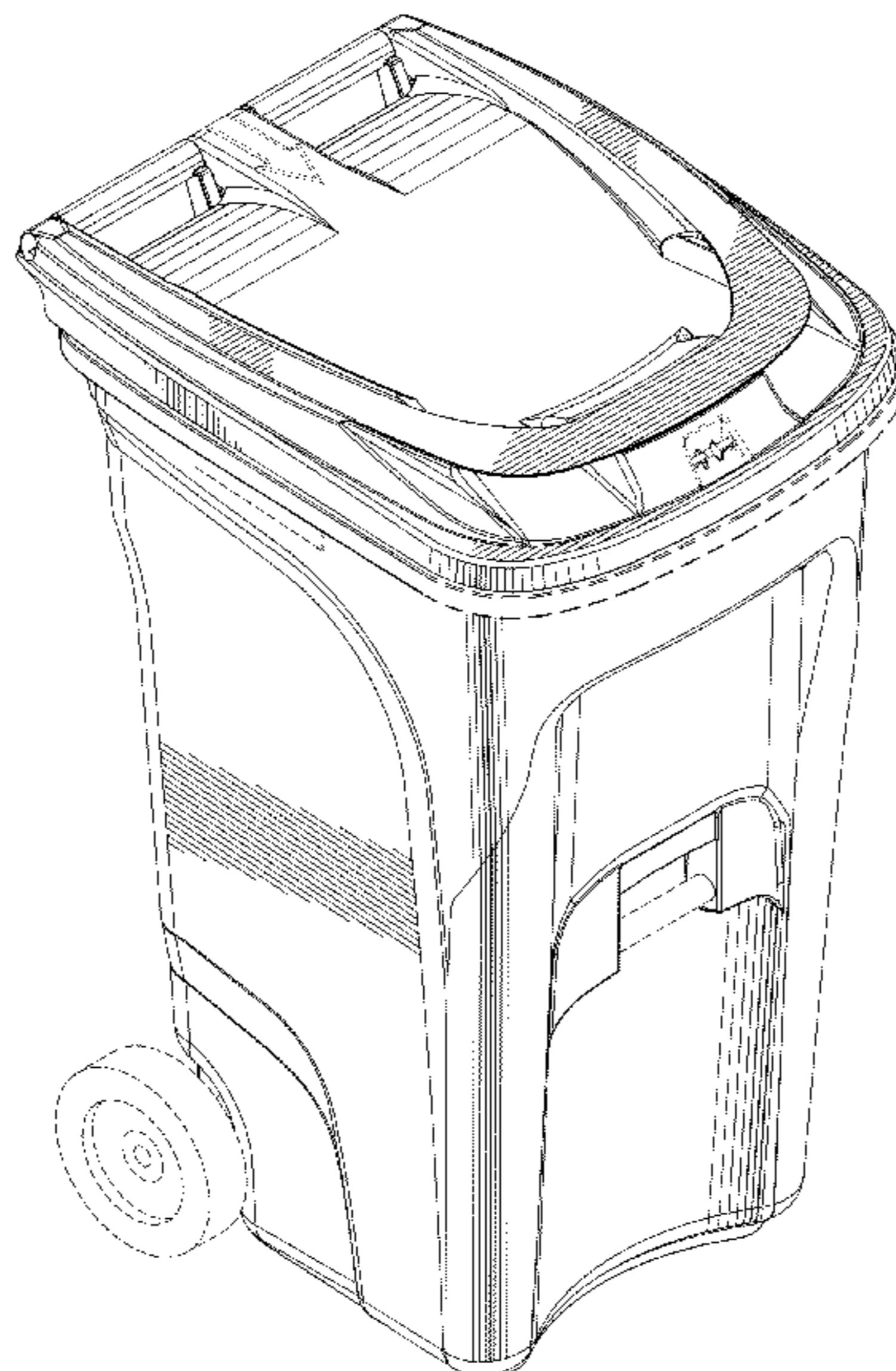
(57) **CLAIM**

The ornamental design for a waste container, as shown and described.

DESCRIPTION

FIG. 1 is a perspective view of a waste container showing our new design;
FIG. 2 is a front view of the waste container of FIG. 1;
FIG. 3 is a first side view of the waste container of FIG. 1;
FIG. 4 is a second side view of the waste container of FIG. 1;
FIG. 5 is a top view of the waste container of FIG. 1;
FIG. 6 is a rear view of the waste container of FIG. 1; and,
FIG. 7 is a bottom view of the waste container of FIG. 1.
The design consists of the features of shape, pattern, configuration and ornamentation of the waste container as shown in solid lines. The broken lines do not form part of the design.

1 Claim, 7 Drawing Sheets



(56)

References Cited

U.S. PATENT DOCUMENTS

D491,328 S * 6/2004 Aiken et al. D34/5
 7,070,064 B1 * 7/2006 Henry et al. 220/262
 D532,173 S * 11/2006 Aiken et al. D34/5
 D535,448 S * 1/2007 Kilduff et al. D34/5
 7,172,088 B2 2/2007 McDade et al.
 D564,722 S * 3/2008 Hogarth et al. D34/5
 D577,170 S * 9/2008 Meers D34/5
 D624,723 S * 9/2010 Raghunathan et al. D34/5
 D634,912 S * 3/2011 Pouliot et al. D34/11
 D641,121 S * 7/2011 Rampton et al. D34/5
 D643,174 S * 8/2011 Raghunathan et al. D34/5
 D646,037 S * 9/2011 Arthurson D34/9
 D657,106 S * 4/2012 Talbot Pouliot et al. D34/5
 D659,338 S * 5/2012 Gardner D34/5
 8,424,714 B2 * 4/2013 Kruse et al. 220/756
 8,430,267 B2 * 4/2013 Kilduff et al. 220/770
 2003/0155366 A1 * 8/2003 Raghunathan 220/835
 2003/0213808 A1 * 11/2003 Berger 220/832
 2004/0074913 A1 4/2004 McDade et al.
 2009/0223965 A1 9/2009 Raghunathan et al.

2011/0049151 A1 3/2011 Raghunathan et al.
 2011/0049152 A1 3/2011 Raghunathan et al.
 2013/0048654 A1 2/2013 Kilduff et al.

OTHER PUBLICATIONS

Otto Roll-out carts; <http://ottoenvironmentalsystems.thomasnet-navigator.com/category/residential-refuse-and-recycling-carts>; Dec. 14, 2012.
 Rehrig Roll-Out Carts; <http://www.rehrigpacific.com/products-and-services/waste-recycling-and-public-works/roll-out-carts-and-recycle-bins/roll-out-carts>; Dec. 14, 2012.
 Schaefer 2 wheel containers; <http://www.ssi-schaefer.us/waste-management/waste-management-products/2-wheel-containers.html>; Dec. 14, 2012.
 Sulo; Two-wheeled roll-out cart; <http://www.sulo.com.au/products/two-wheeled-2-wheelie-bin-mgb/>; Dec. 14, 2012.
 Toter Curbside Collection Carts, roll-out carts; http://www.toter.com/products/product-detail.cfm?product_id=F5949571-A635-17A8-0DBCEC04461A60F9; Dec. 14, 2012.

* cited by examiner

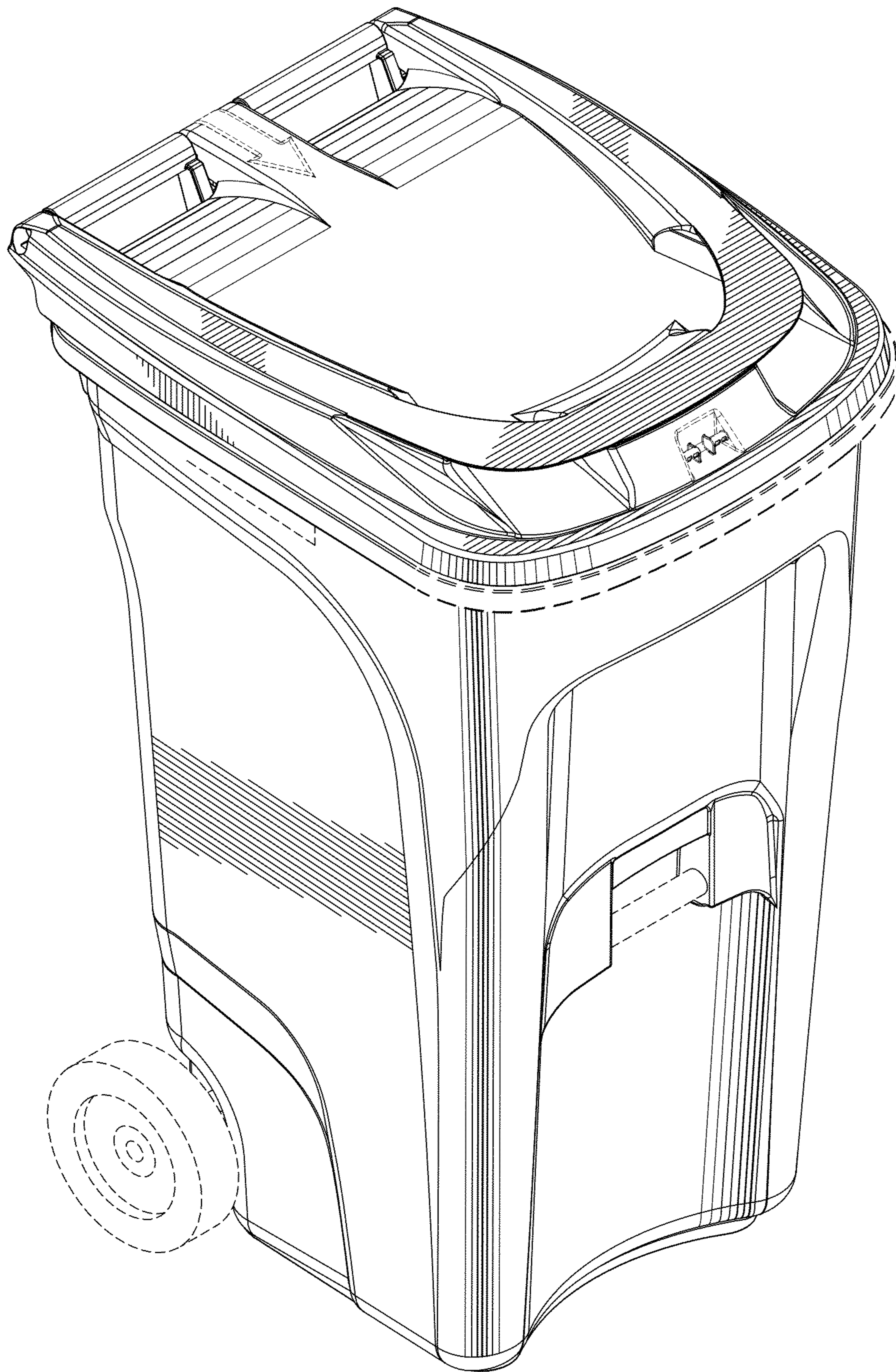


FIG. 1

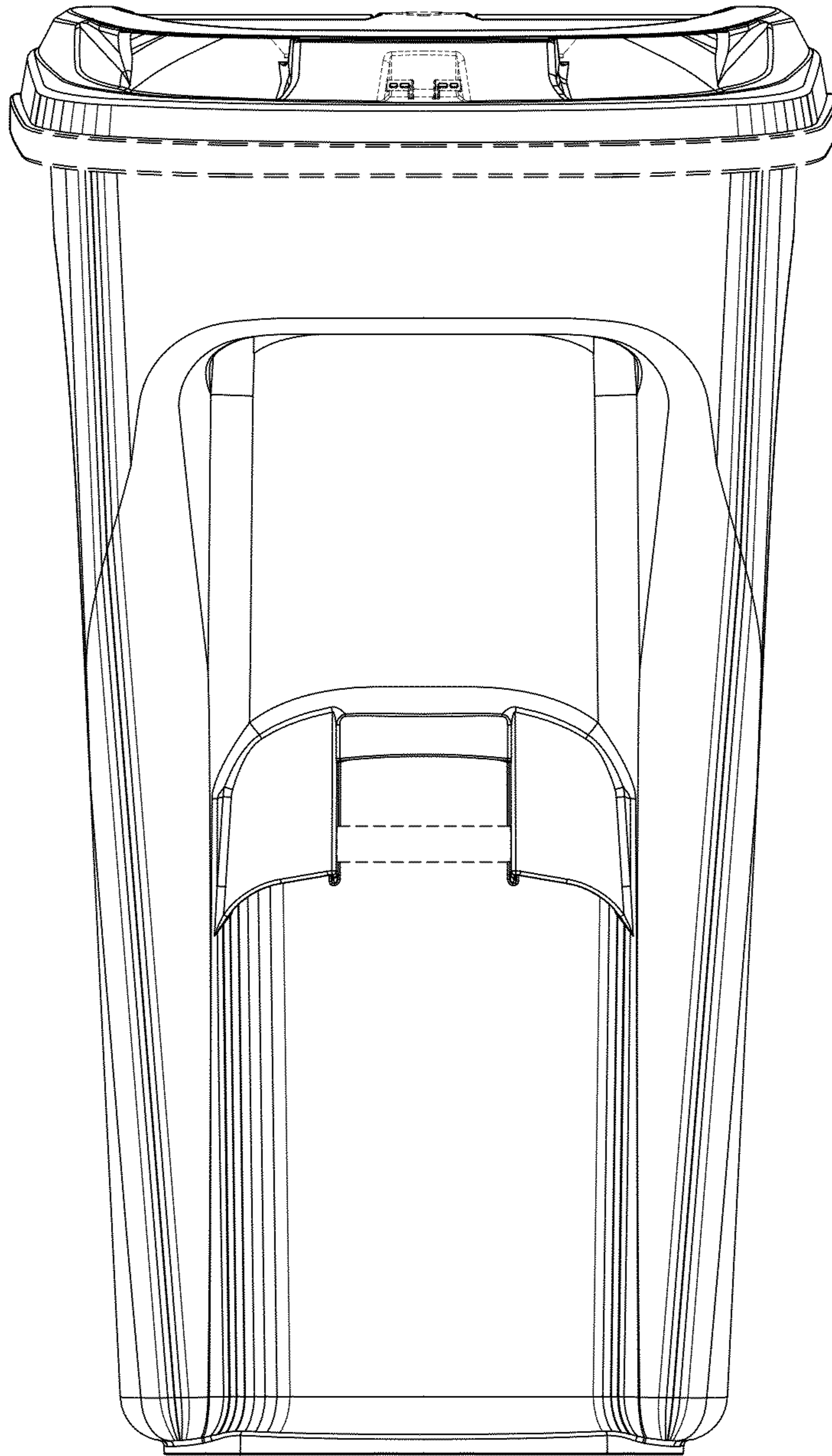


FIG. 2

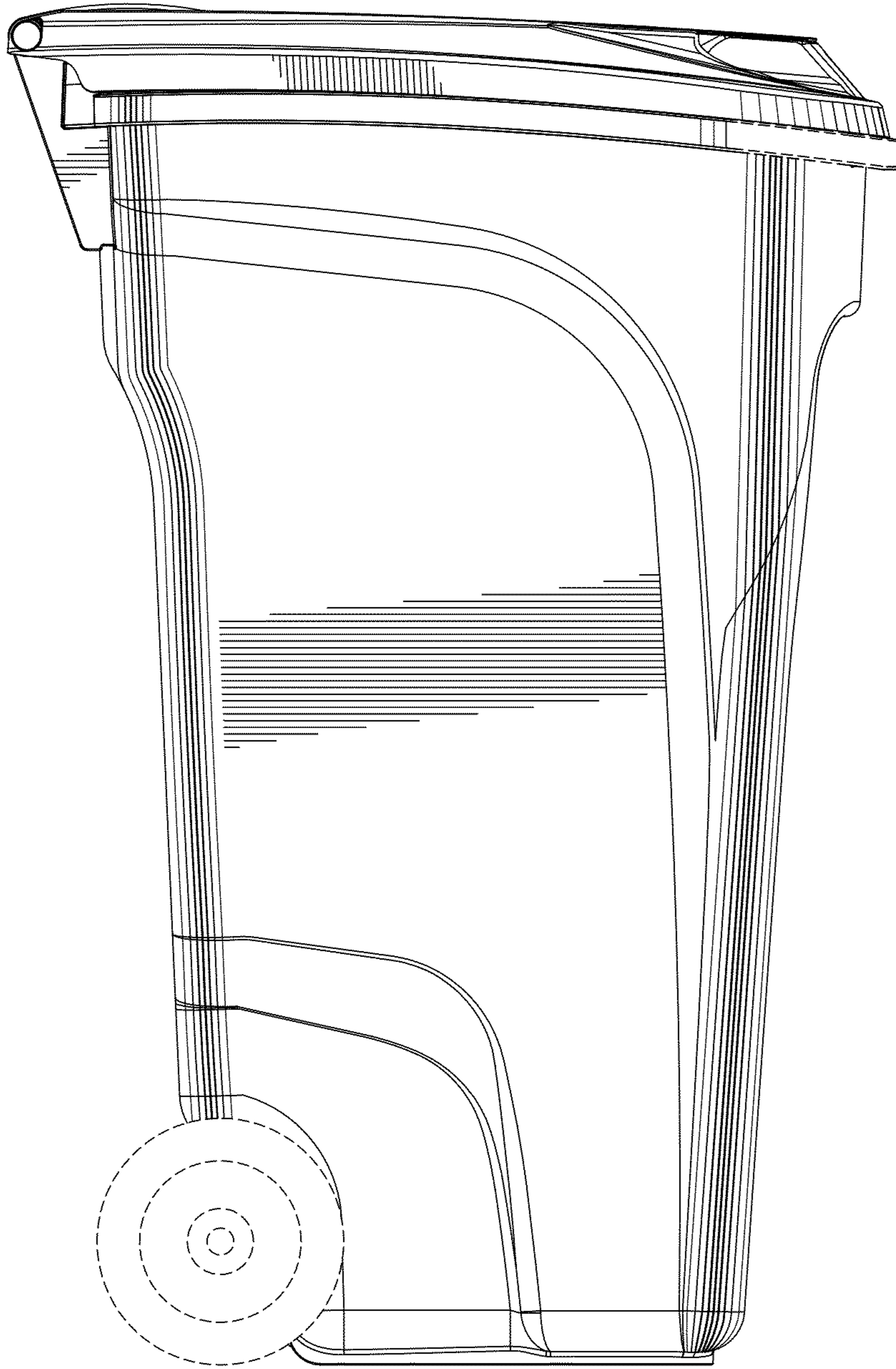


FIG. 3

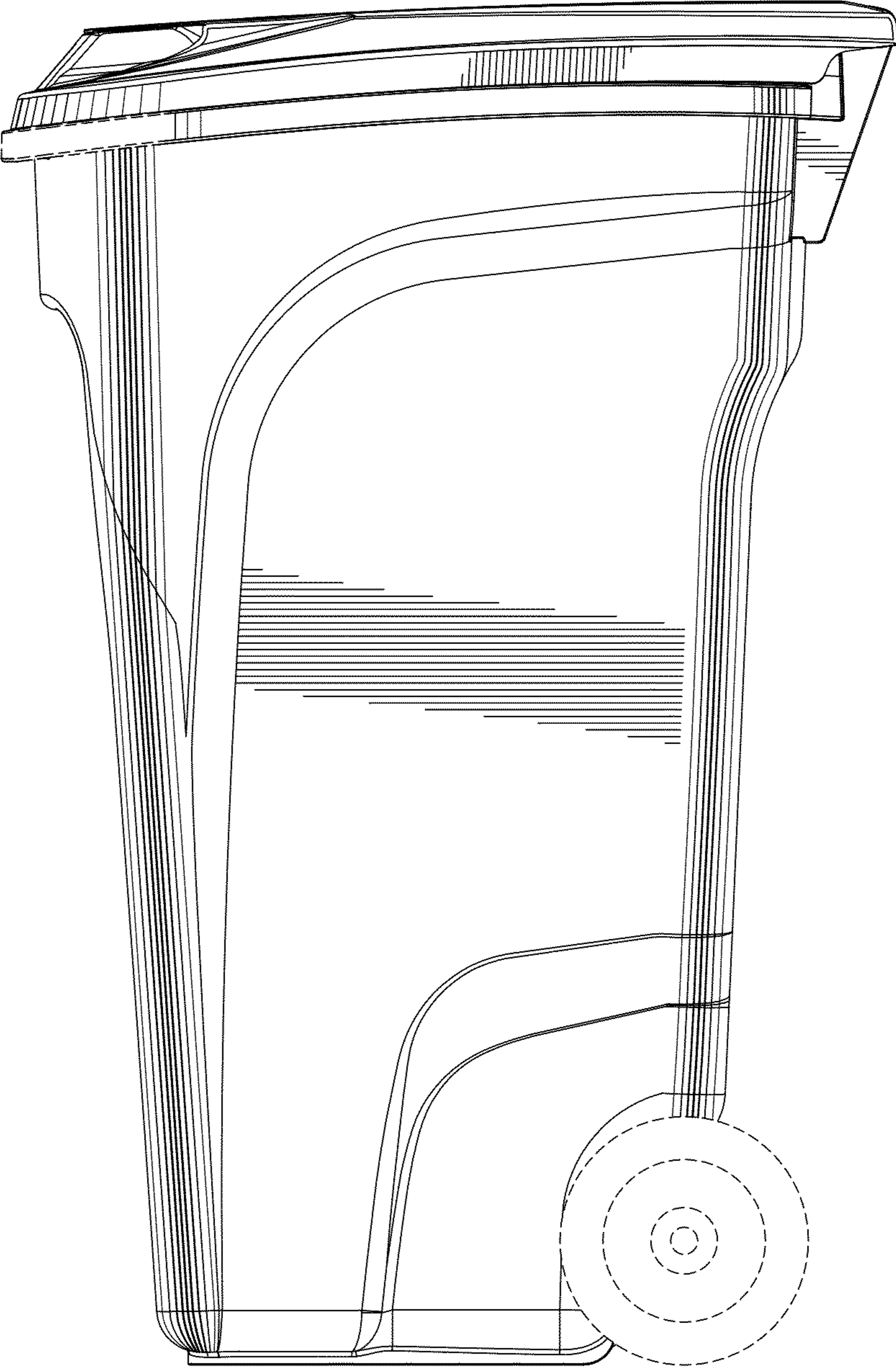


FIG. 4

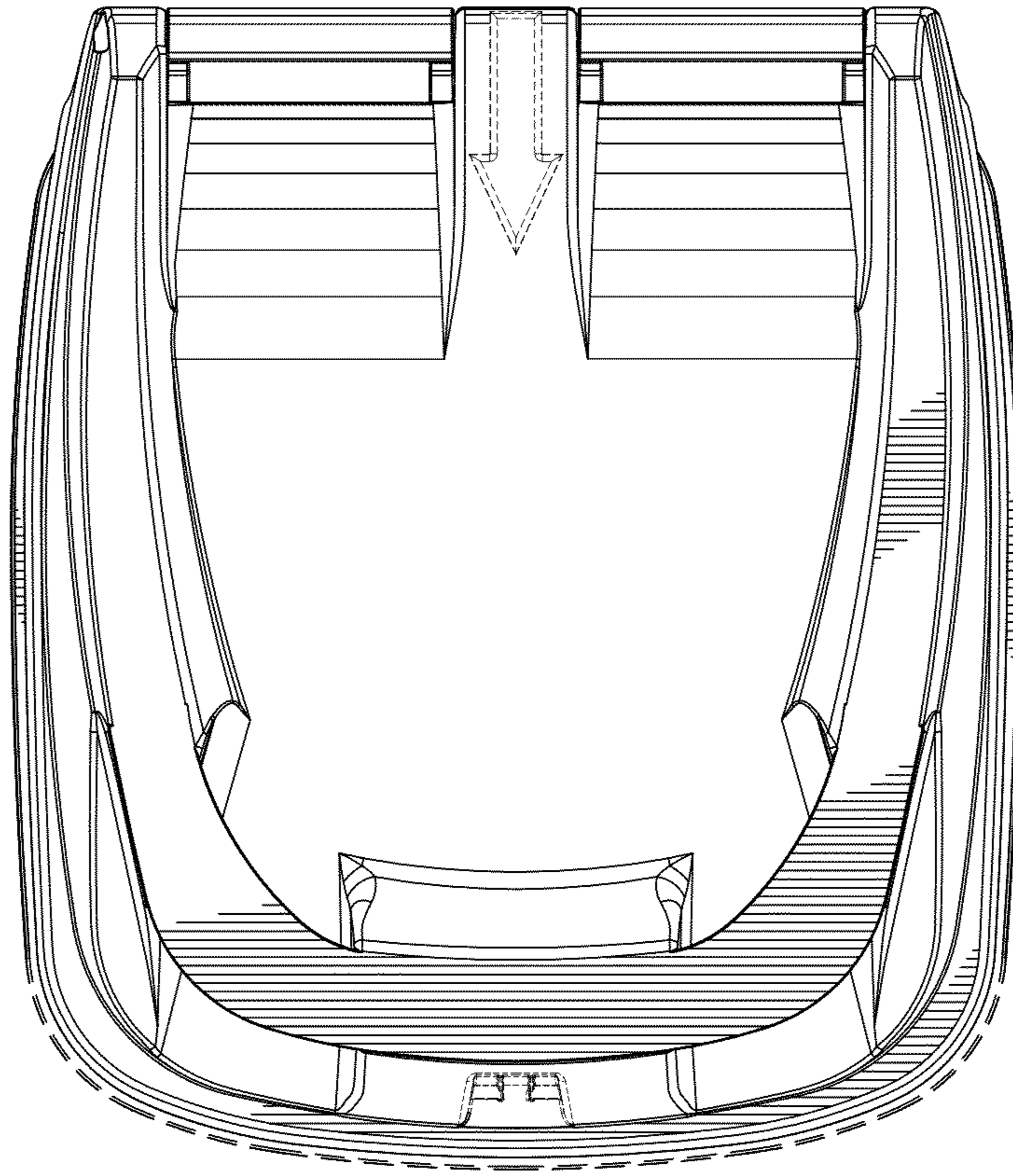


FIG. 5

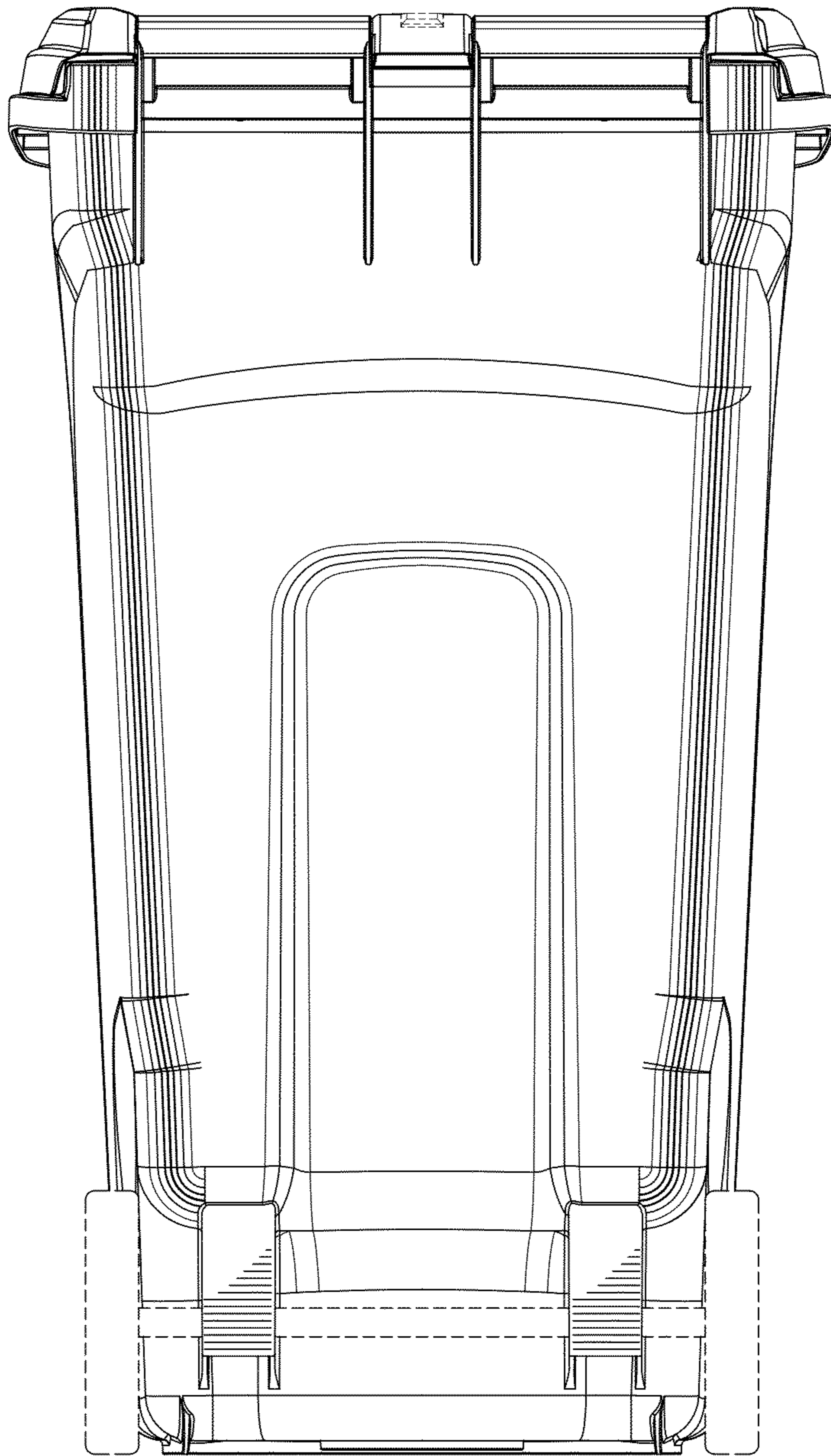


FIG. 6

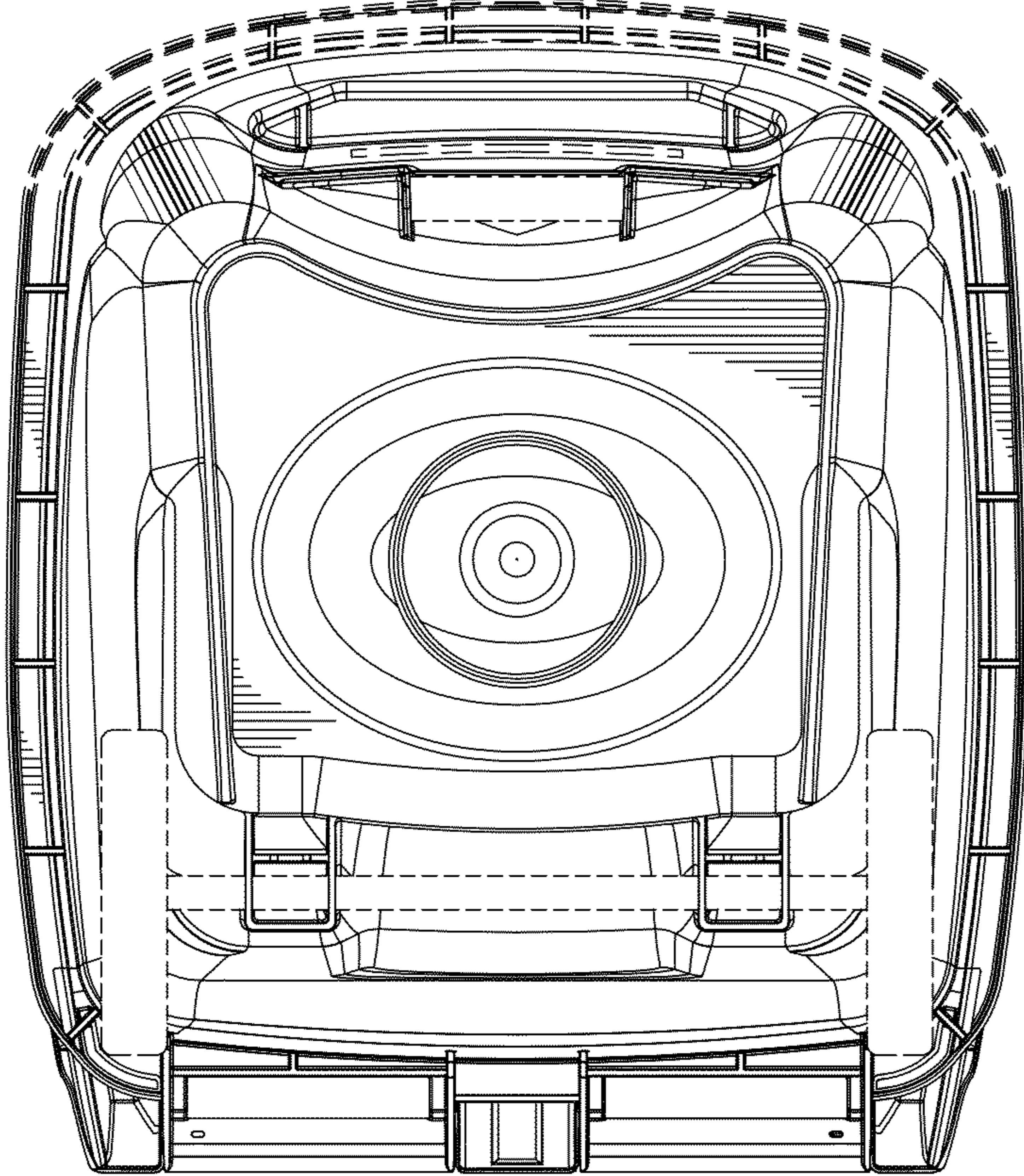


FIG. 7