



US00D707906S

(12) **United States Design Patent**
Nolet et al.

(10) **Patent No.:** **US D707,906 S**
(45) **Date of Patent:** **** Jun. 24, 2014**

(54) **CONTAINER**

(71) Applicant: **IPL Inc.**, St-Damien (CA)

(72) Inventors: **Roch Nolet**, St. Joseph (CA); **Francis Cote**, St. Nicolas (CA); **Yvan Marcoux**, St. Joseph-de-Beauce (CA); **Daisy Del Rosario Roy**, Pintendre (CA)

(73) Assignee: **IPL Inc.**, St. Damien (CA)

(**) Term: **14 Years**

(21) Appl. No.: **29/456,073**

(22) Filed: **May 28, 2013**

(51) **LOC (10) Cl.** **09-09**

(52) **U.S. Cl.**
USPC **D34/5**

(58) **Field of Classification Search**
USPC D34/1, 5, 6, 7, 8, 9, 10, 11; 220/908, 220/908.1, 625, DIG. 12, DIG. 14; 280/47.26

See application file for complete search history.

(56) **References Cited**

U.S. PATENT DOCUMENTS

D291,739 S *	9/1987	Orlowski	D34/5
D313,491 S *	1/1991	Edelhoff et al.	D34/5
D355,741 S *	2/1995	Craft et al.	D34/5
D365,428 S *	12/1995	Prout et al.	D34/5
D398,120 S *	9/1998	Rehrig et al.	D34/5
D410,125 S *	5/1999	Rehrig et al.	D34/11
D429,398 S *	8/2000	Wysocki	D34/1
D445,228 S *	7/2001	Apps et al.	D34/5
D470,989 S *	2/2003	Tuduri	D34/11
D474,319 S *	5/2003	Tuduri	D34/11
D477,899 S *	7/2003	Tuduri	D34/11
D478,197 S *	8/2003	Raghunathan	D34/5
D491,328 S *	6/2004	Aiken et al.	D34/5

7,070,064 B1 *	7/2006	Henry et al.	220/262
D532,173 S *	11/2006	Aiken et al.	D34/5
D535,448 S *	1/2007	Kilduff et al.	D34/5
7,172,088 B2	2/2007	McDade et al.	
D564,722 S *	3/2008	Hogarth et al.	D34/5
D577,170 S *	9/2008	Meers	D34/5

(Continued)

FOREIGN PATENT DOCUMENTS

CA	2624658	9/2009
CA	2624663	9/2009
CA	2636306	9/2009

OTHER PUBLICATIONS

Cascade Waste and Recycling Carts; <http://www.cascadecartsolutions.com/products/waste-recycling-carts/icon-series>; Dec. 14, 2012.

(Continued)

Primary Examiner — Cynthia Ramirez

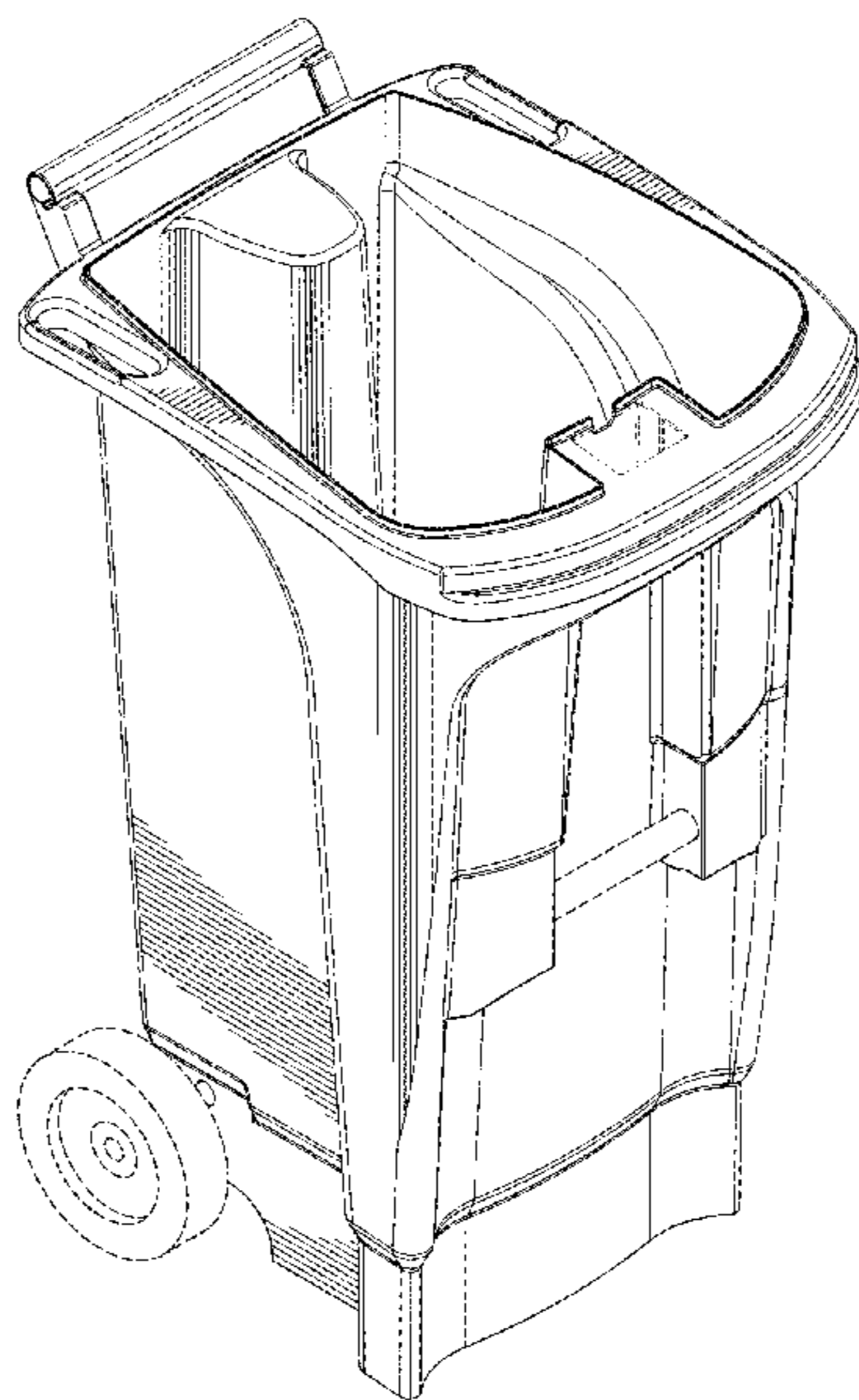
(57) **CLAIM**

The ornamental design for a container, as shown and described.

DESCRIPTION

FIG. 1 is a perspective view of a container showing our new design;
FIG. 2 is front view of the container of FIG. 1;
FIG. 3 is a side view of the container of FIG. 1;
FIG. 4 is a top view of the container of FIG. 1;
FIG. 5 is a rear view of the container of FIG. 1; and,
FIG. 6 is a bottom of the container of FIG. 1.
The design consists of the features of shape, pattern, configuration and ornamentation of the container as shown in solid lines. The broken lines do not form part of the design.

1 Claim, 6 Drawing Sheets



(56)

References Cited

U.S. PATENT DOCUMENTS

D624,723	S *	9/2010	Raghunathan et al.	D34/5
D634,912	S *	3/2011	Pouliot et al.	D34/11
D641,121	S *	7/2011	Rampton et al.	D34/5
D643,174	S *	8/2011	Raghunathan et al.	D34/5
D646,037	S *	9/2011	Arthurson	D34/9
D657,106	S *	4/2012	Talbot Pouliot et al.	D34/5
D659,338	S *	5/2012	Gardner	D34/5
8,424,714	B2 *	4/2013	Kruse et al.	220/756
8,430,267	B2 *	4/2013	Kilduff et al.	220/770
2003/0155366	A1 *	8/2003	Raghunathan	220/835
2003/0213808	A1 *	11/2003	Berger	220/832
2004/0074913	A1	4/2004	McDade et al.	
2009/0223965	A1	9/2009	Raghunathan et al.	
2011/0049151	A1	3/2011	Raghunathan et al.	
2011/0049152	A1	3/2011	Raghunathan et al.	
2013/0048654	A1	2/2013	Kilduff et al.	

OTHER PUBLICATIONS

Otto Roll-out carts; <http://ottoenvironmentalsystems.thomasnet-navigator.com/category/residential-refuse-and-recycling-carts>; Dec. 14, 2012.
 Rehrig Roll-Out Carts; <http://www.rehrigpacific.com/products-and-services/waste-recycling-and-public-works/roll-out-carts-and-recycle-bins/roll-out-carts>; Dec. 14, 2012.
 Schaefer 2 wheel containers; <http://www.ssi-schaefer.us/waste-management/waste-management-products/2-wheel-containers.html>; Dec. 14, 2012.
 Sulo; Two-wheeled roll-out cart; <http://www.sulo.com.au/products/two-wheeled-2-wheelie-bin-mgb/>; Dec. 14, 2012.
 Toter Curbside Collection Carts, roll-out carts; http://www.toter.com/products/product-detail.cfm?product_id=F5949571-A635-17A8-0DBCEC04461A60F9; Dec. 14, 2012.

* cited by examiner

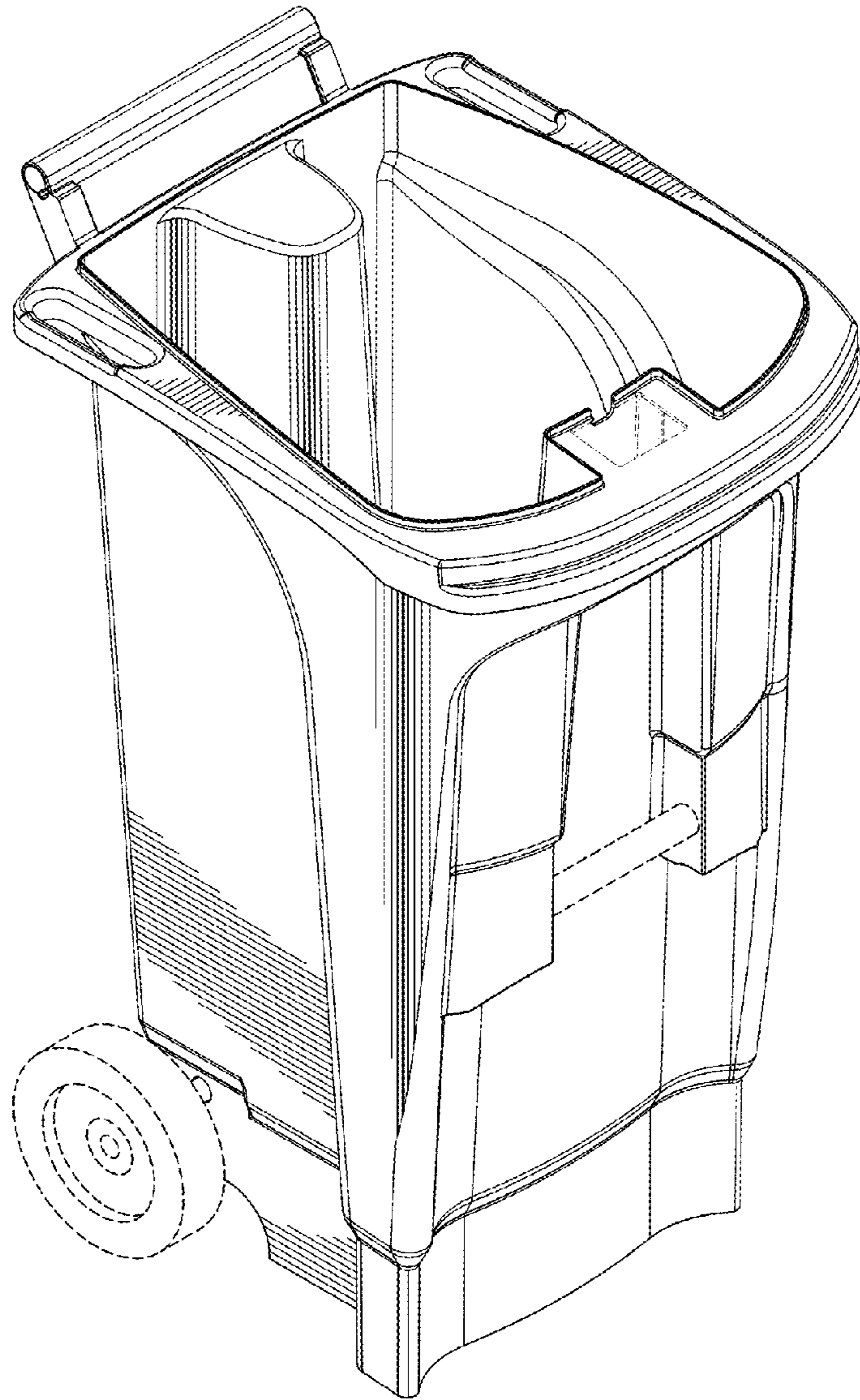


Fig-1

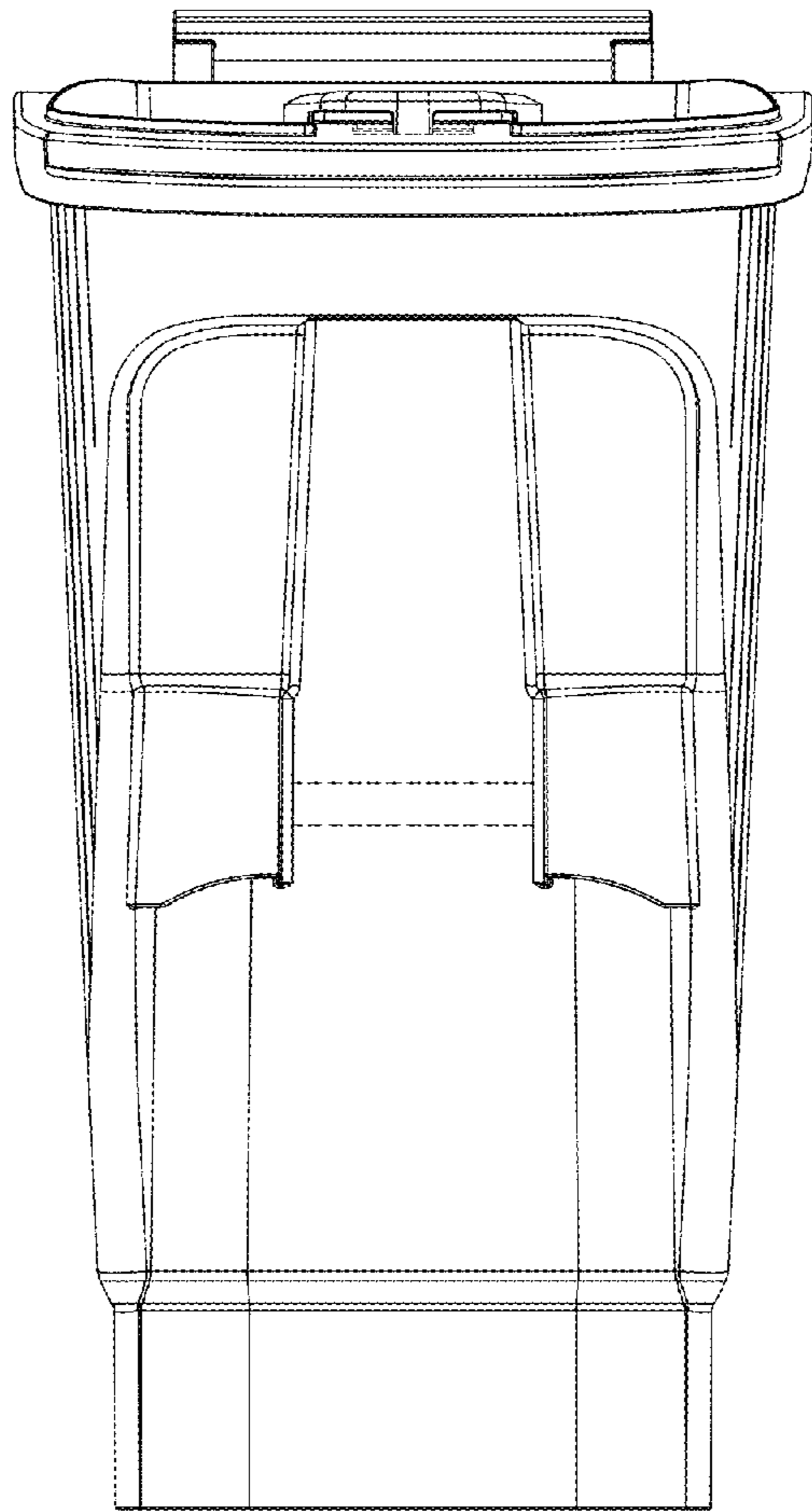


FIG-2

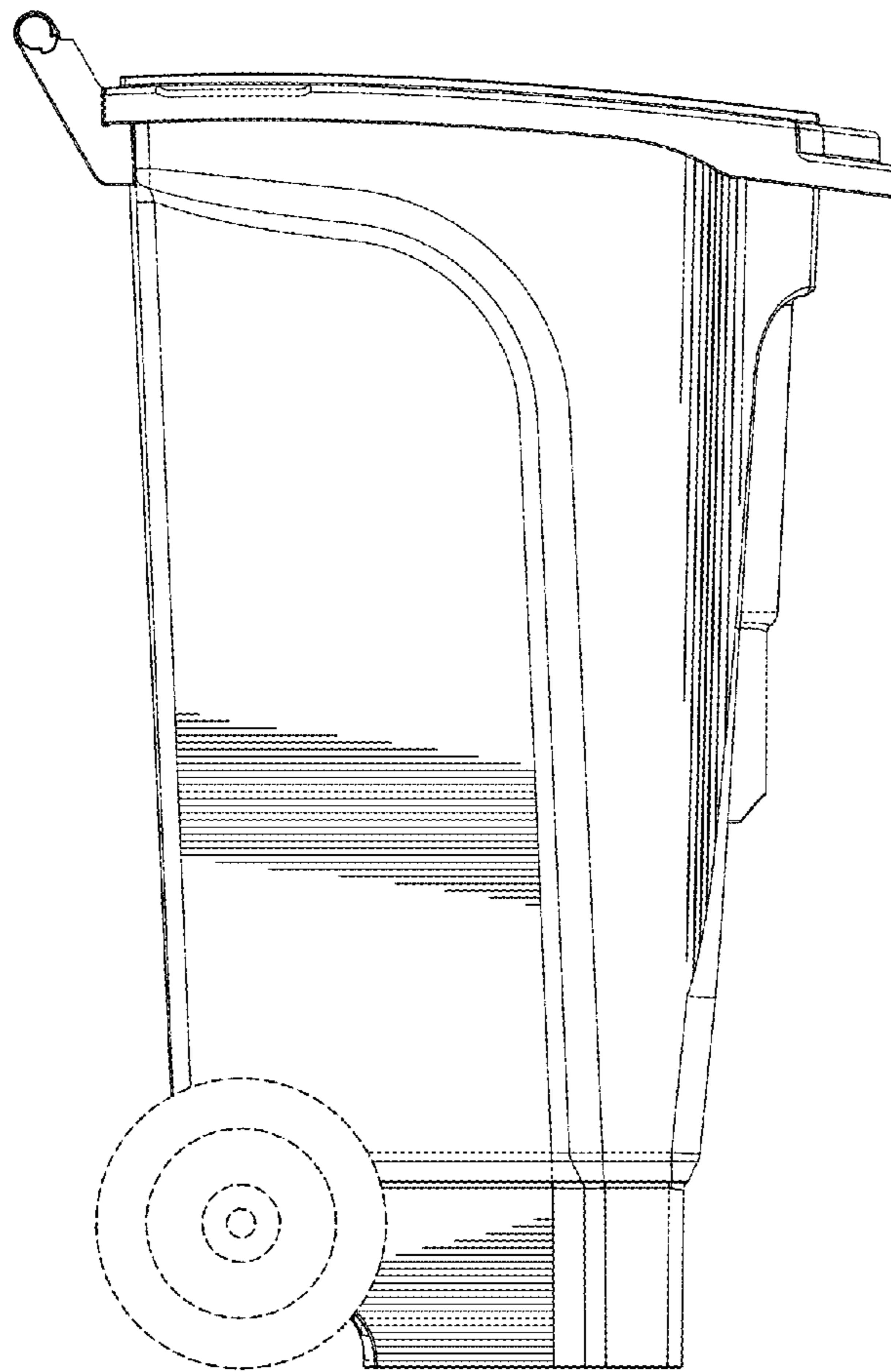


Fig-3

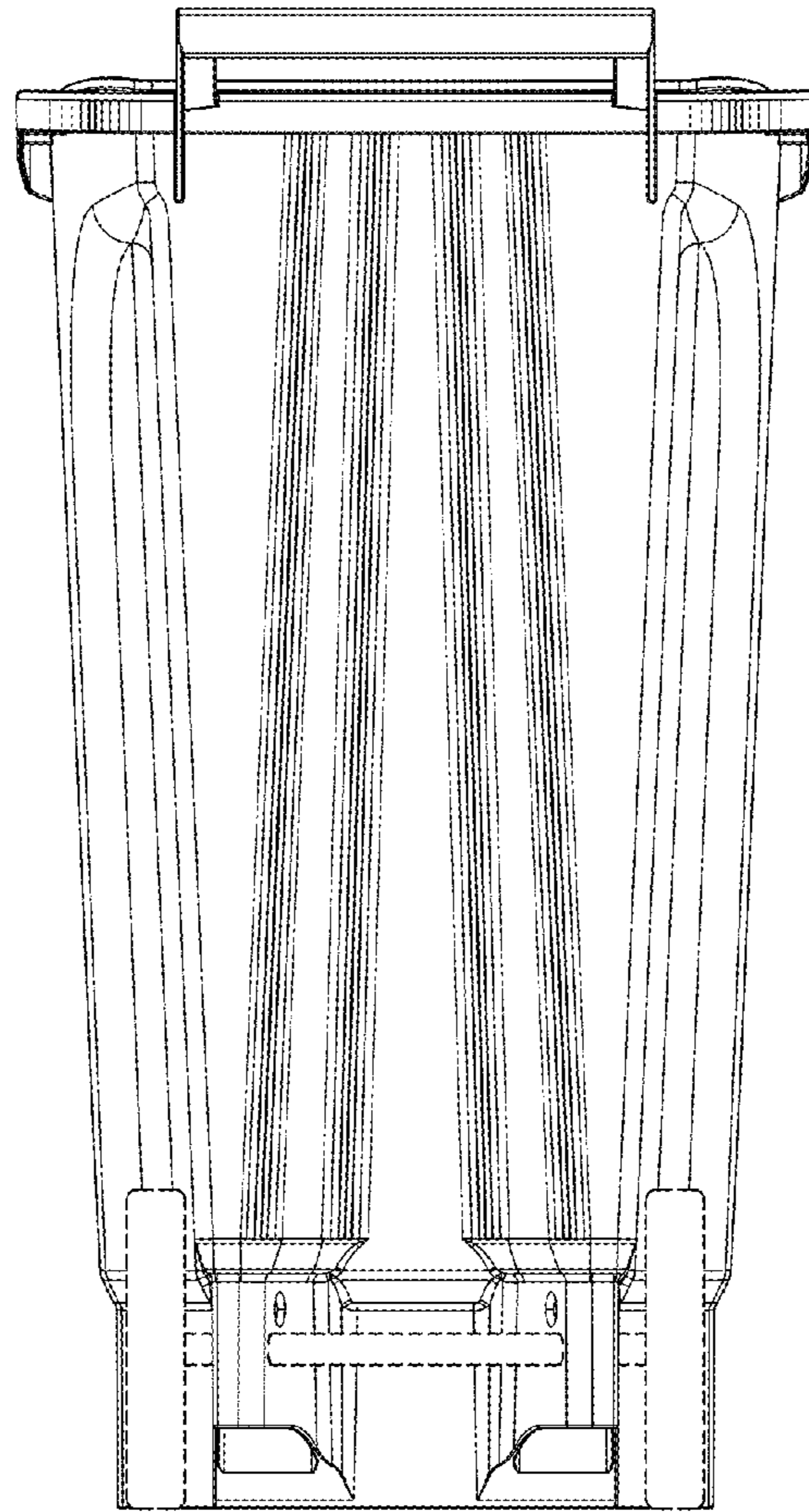


FIG-4

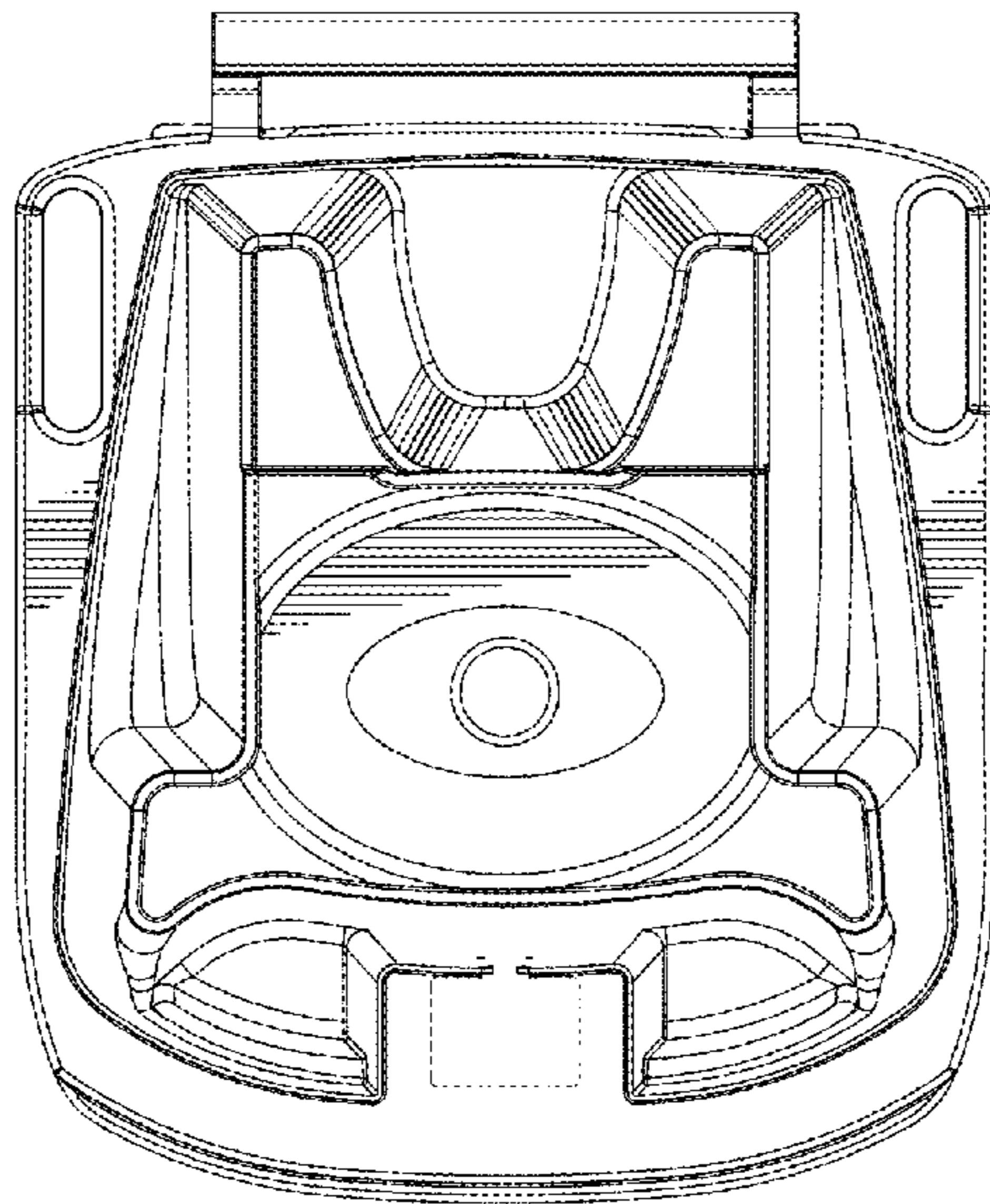


Fig-5

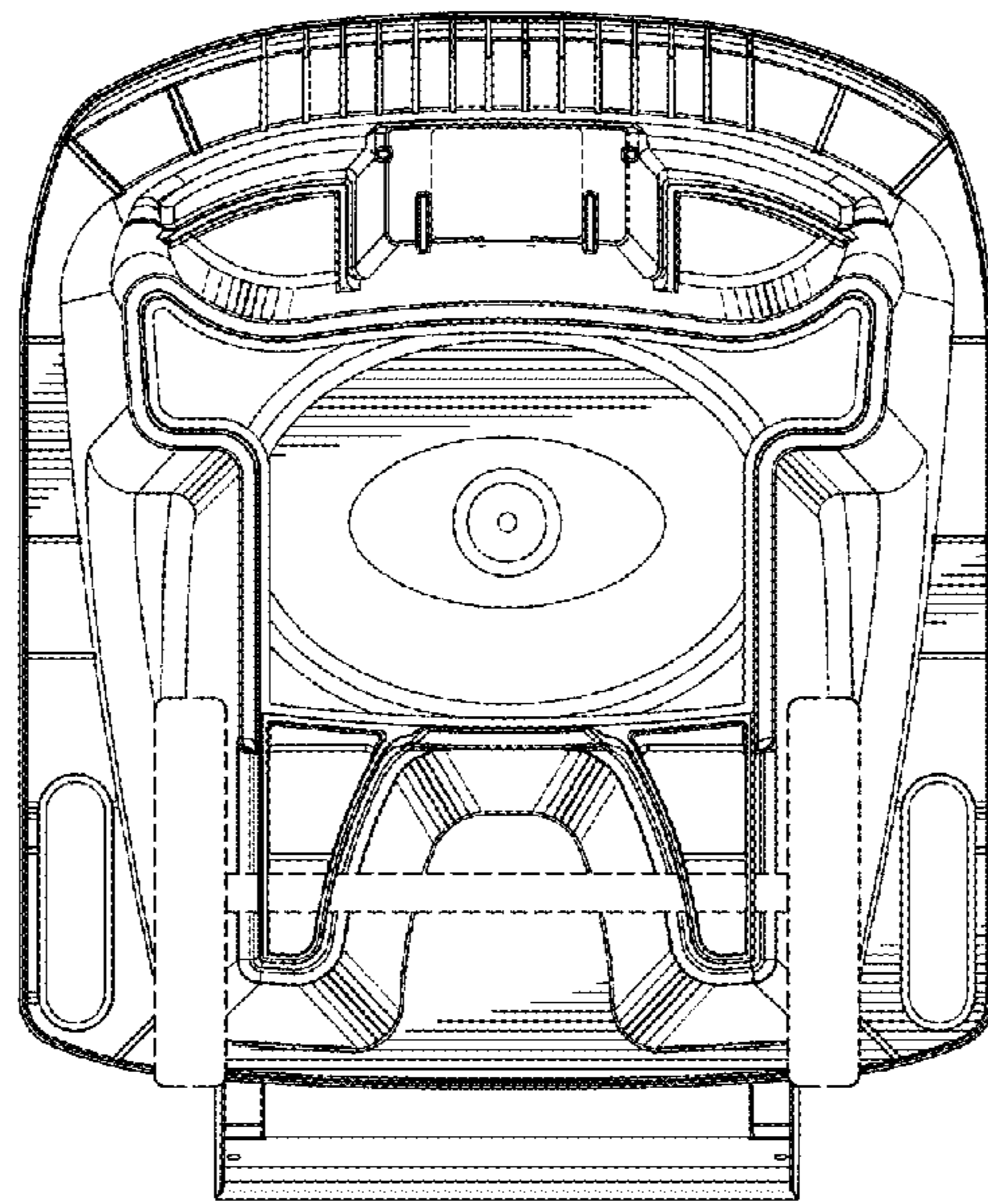


Fig. 6

UNITED STATES PATENT AND TRADEMARK OFFICE
CERTIFICATE OF CORRECTION

PATENT NO. : D707,906 S
APPLICATION NO. : 29/456073
DATED : June 24, 2014
INVENTOR(S) : Roch Nolet et al.

Page 1 of 1

It is certified that error appears in the above-identified patent and that said Letters Patent is hereby corrected as shown below:

On the Title Page, Item 30 should be inserted:

-- Foreign Application Priority Data

May 27, 2013 (CA) 151232 --.

Signed and Sealed this
Nineteenth Day of August, 2014



Michelle K. Lee
Deputy Director of the United States Patent and Trademark Office