



US00D707903S

(12) **United States Design Patent**
Raven et al.

(10) **Patent No.:** **US D707,903 S**

(45) **Date of Patent:** **** Jun. 24, 2014**

(54) **VACUUM CLEANER BASE**

(71) Applicant: **BISSELL Homecare, Inc.**, Grand Rapids, MI (US)

(72) Inventors: **Meghan M. Raven**, Grand Rapids, MI (US); **Adam Luedke**, Holland, MI (US); **Mustafa Engin Hassamanci**, Chicago, IL (US); **Clifford Krapfl**, Chicago, IL (US)

(73) Assignee: **BISSELL Homecare, Inc.**, Grand Rapids, MI (US)

(**) Term: **14 Years**

(21) Appl. No.: **29/454,271**

(22) Filed: **May 8, 2013**

(51) **LOC (10) Cl.** **15-05**

(52) **U.S. Cl.**
USPC **D32/32**

(58) **Field of Classification Search**
USPC D32/31-33, 22, 17; 15/415.1-422.1, 15/414, 320, 322, 405, 353, 400, 333, 334, 15/335, 350, 327.1-327.7, 354-355, 357
See application file for complete search history.

(56) **References Cited**

U.S. PATENT DOCUMENTS

D439,383 S * 3/2001 Salo et al. D32/32
D475,823 S * 6/2003 Medema et al. D32/32
D487,602 S * 3/2004 Roberts et al. D32/32

D506,048 S * 6/2005 Downey et al. D32/32
D506,586 S * 6/2005 Carr et al. D32/32
D541,498 S * 4/2007 Moine et al. D32/32
D544,663 S * 6/2007 Medema et al. D32/32
D553,314 S * 10/2007 Parr et al. D32/32
D571,066 S * 6/2008 Luebbering D32/32
D593,266 S * 5/2009 Baek D32/32
D597,267 S * 7/2009 Santiago D32/32
D622,461 S * 8/2010 Hill D32/32
D685,150 S * 6/2013 Raven et al. D32/32
D687,197 S * 7/2013 Santiago et al. D32/32
D687,198 S * 7/2013 Santiago et al. D32/32
D688,014 S * 8/2013 Santiago et al. D32/32

* cited by examiner

Primary Examiner — Ruth McInroy

(74) *Attorney, Agent, or Firm* — McGarry Bair PC

(57) **CLAIM**

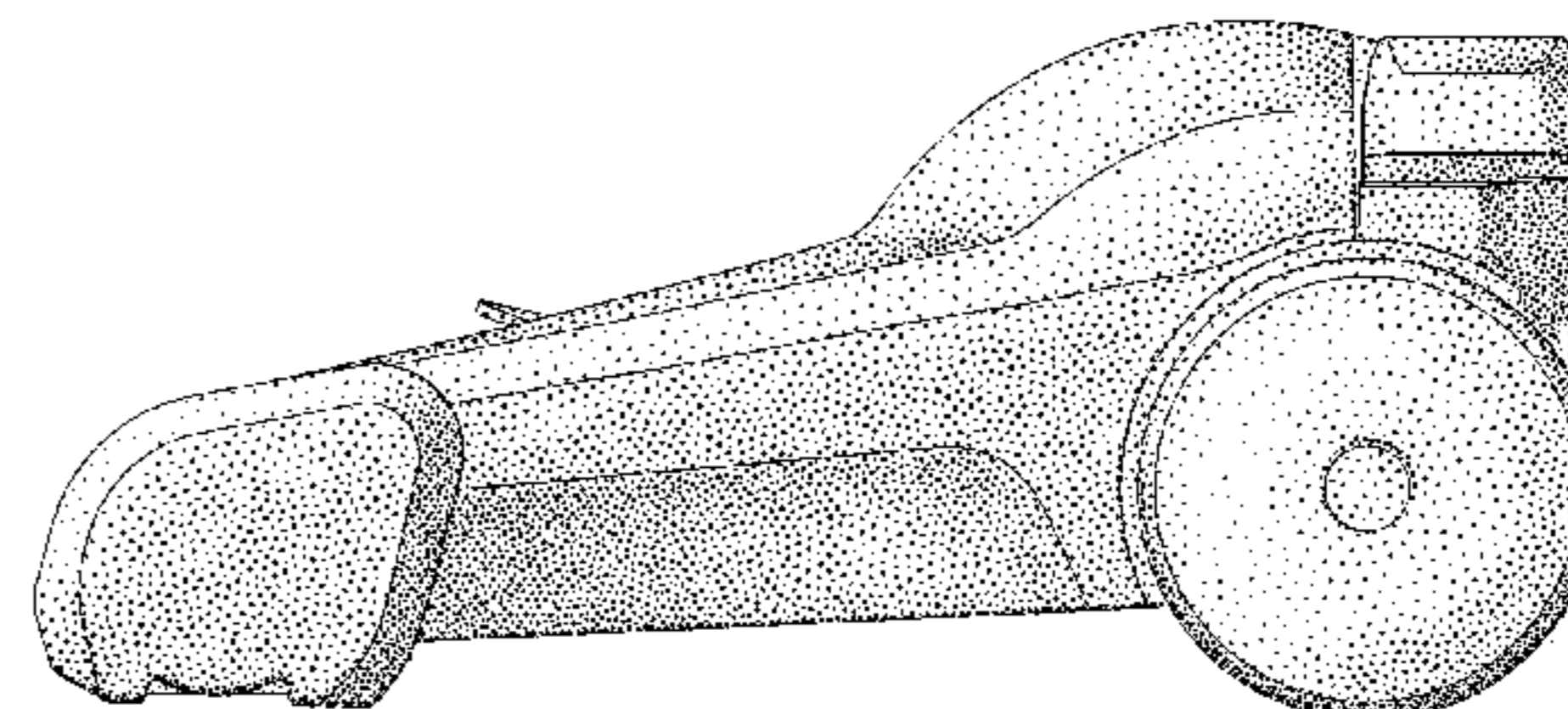
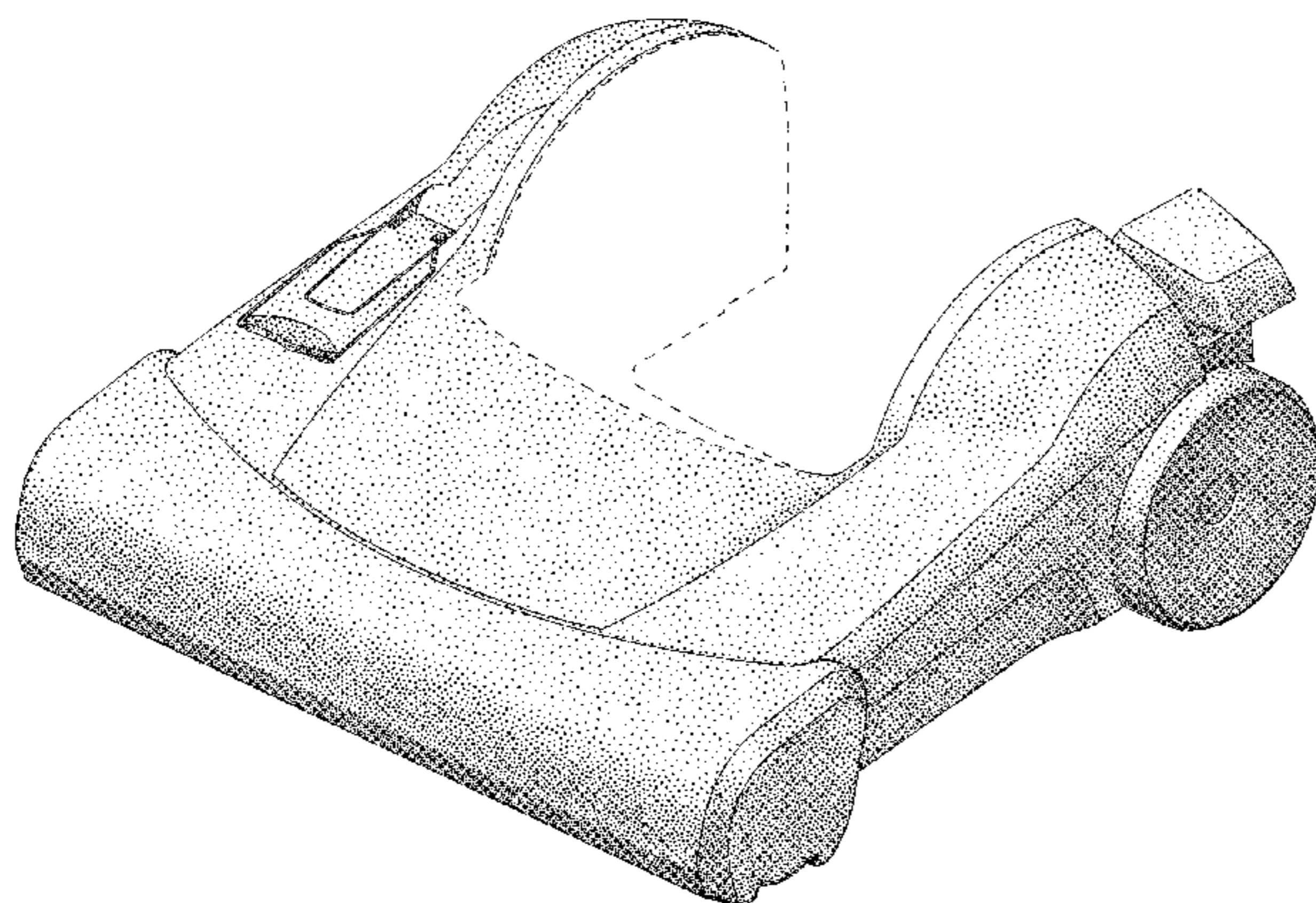
The ornamental design for a vacuum cleaner base, as shown and described.

DESCRIPTION

FIG. 1 is a front, right perspective view of a vacuum cleaner base showing our new design;
FIG. 2 is a front view thereof;
FIG. 3 is a rear view thereof;
FIG. 4 is a left side view thereof;
FIG. 5 is a right side view thereof; and,
FIG. 6 is a top view thereof.

The broken lines shown in the drawings are included for illustrative purposes only and form no part of the claimed design.

1 Claim, 4 Drawing Sheets



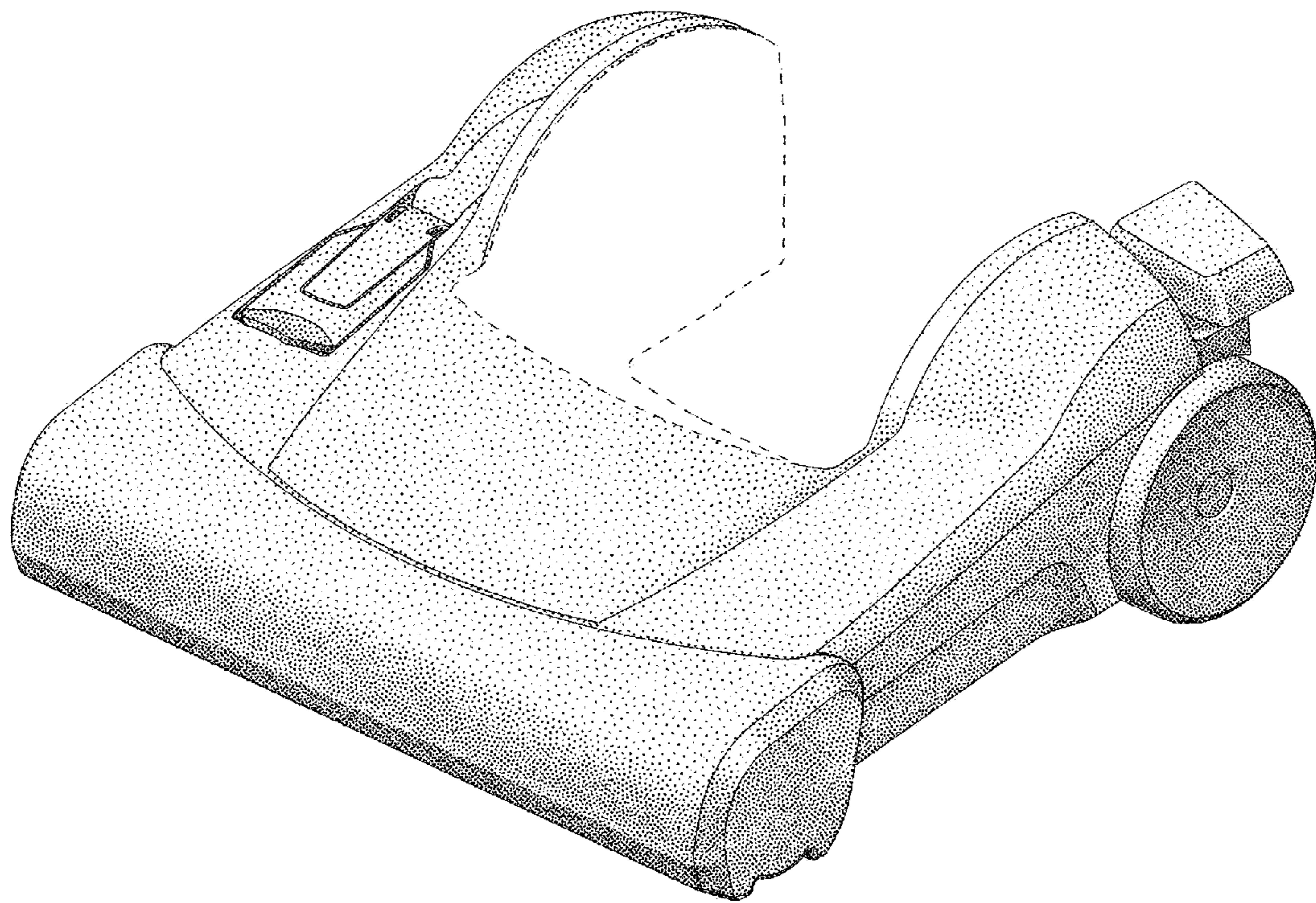


FIG. 1

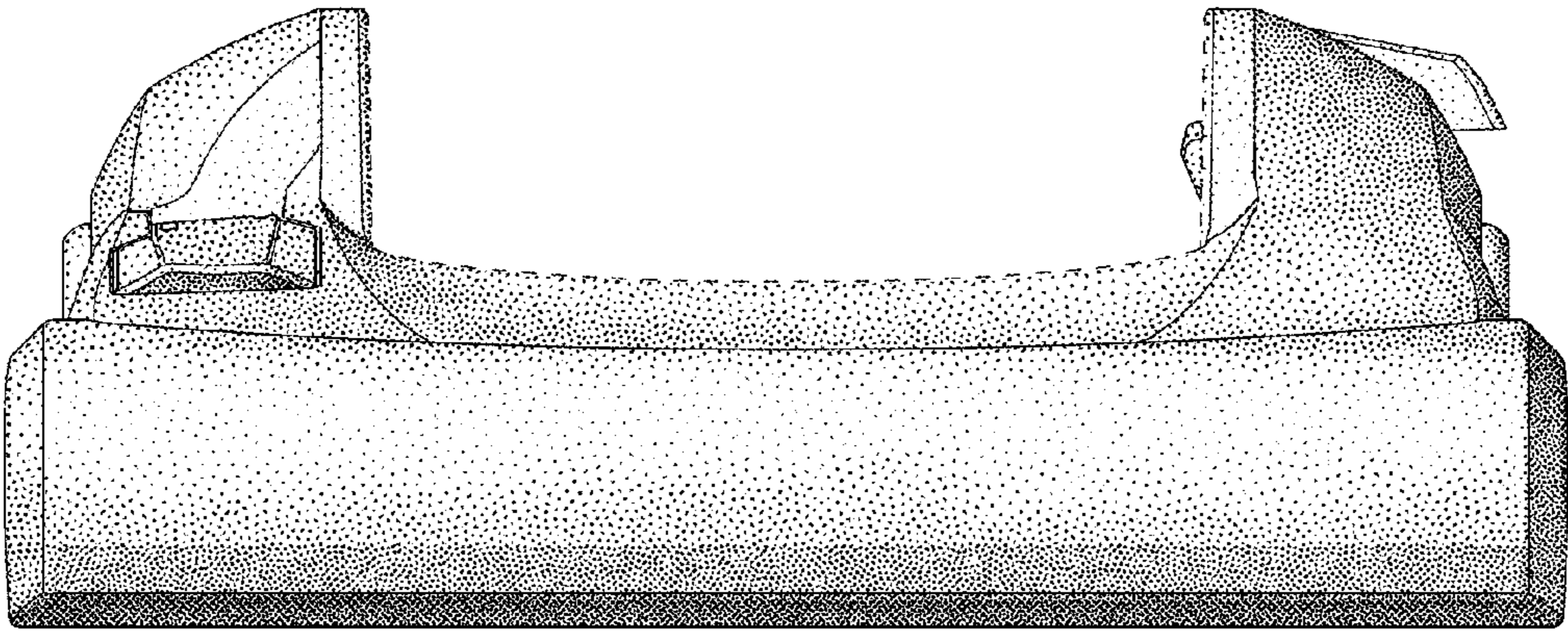


FIG. 2

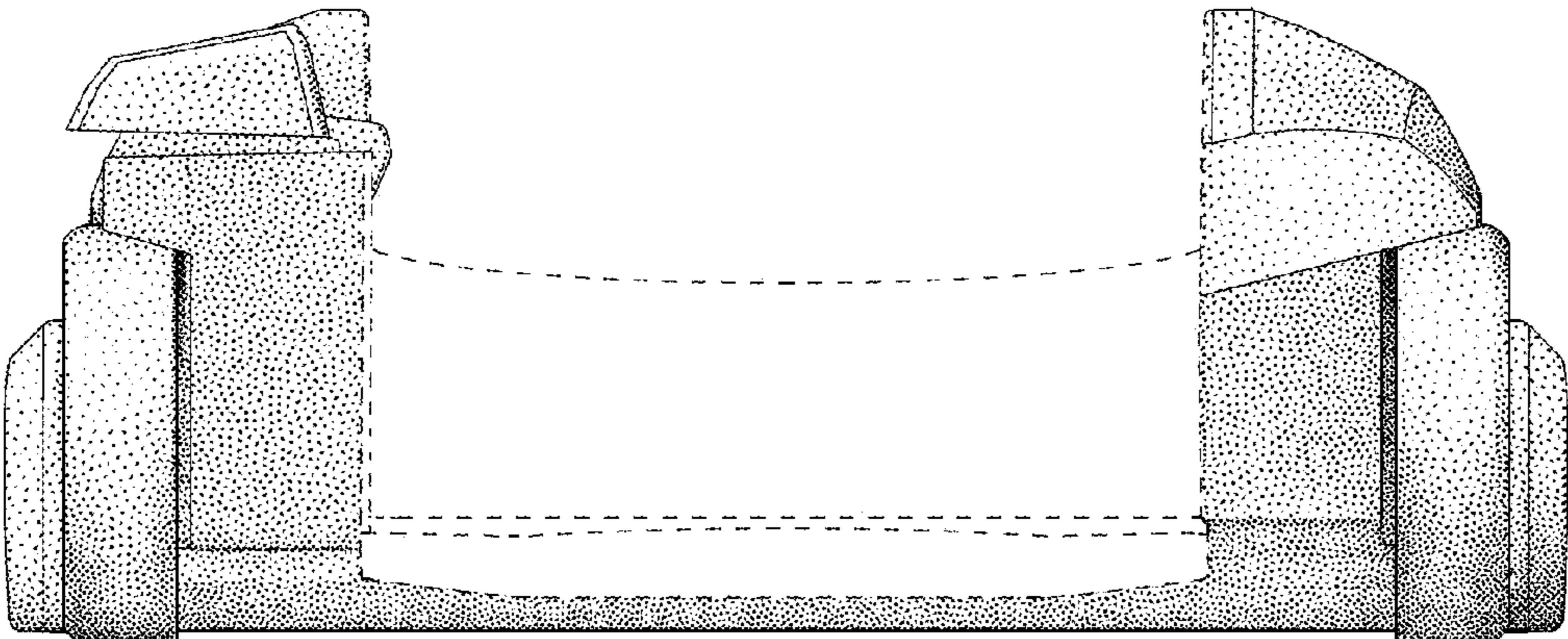


FIG. 3

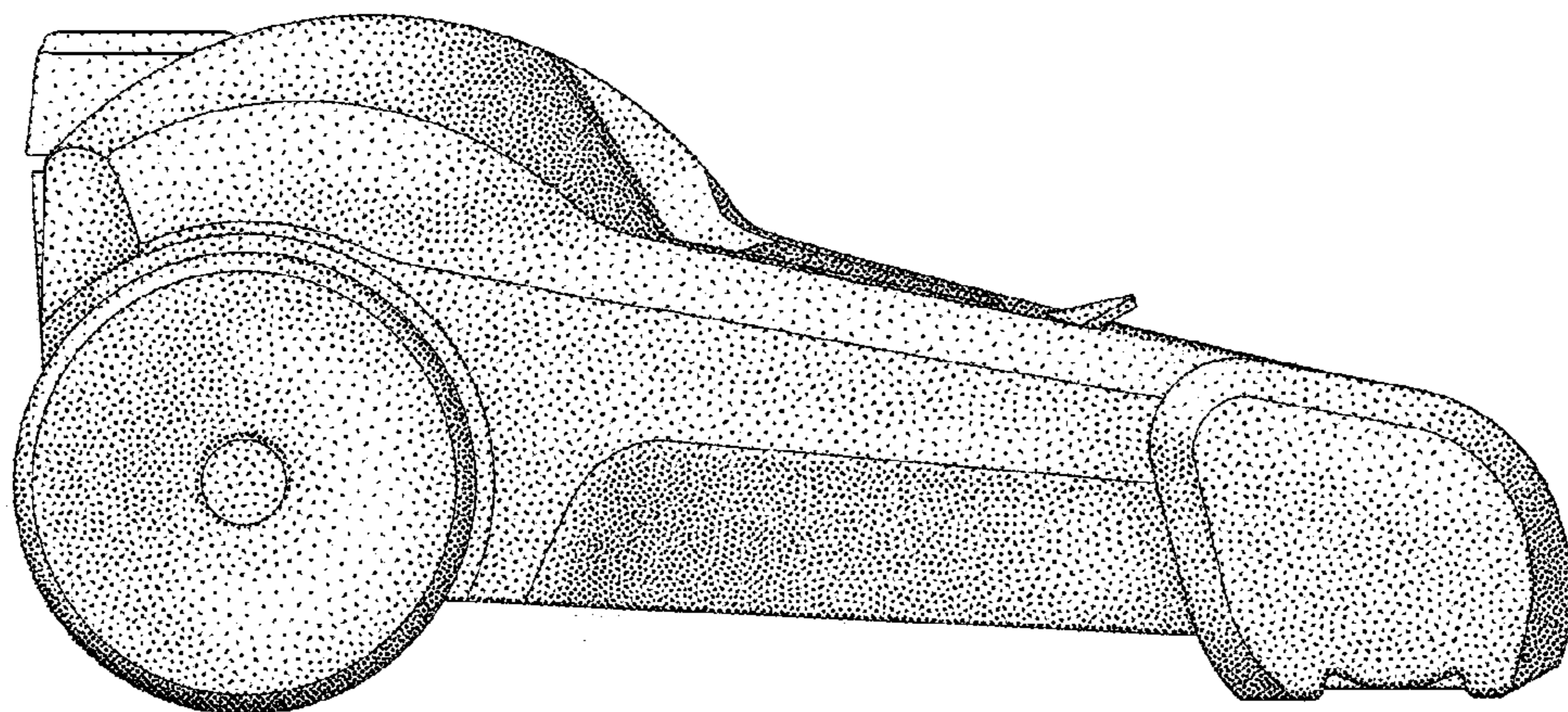


FIG. 4

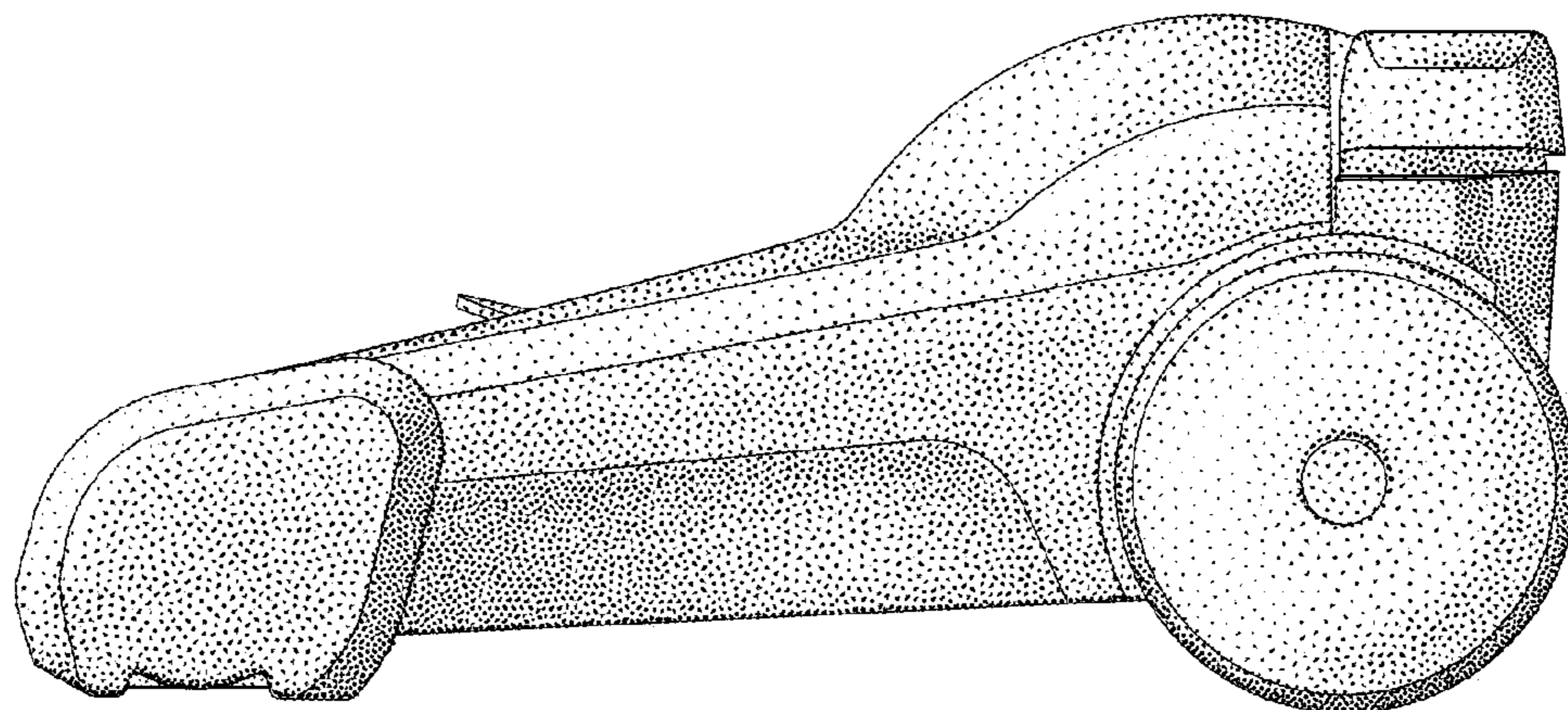


FIG. 5

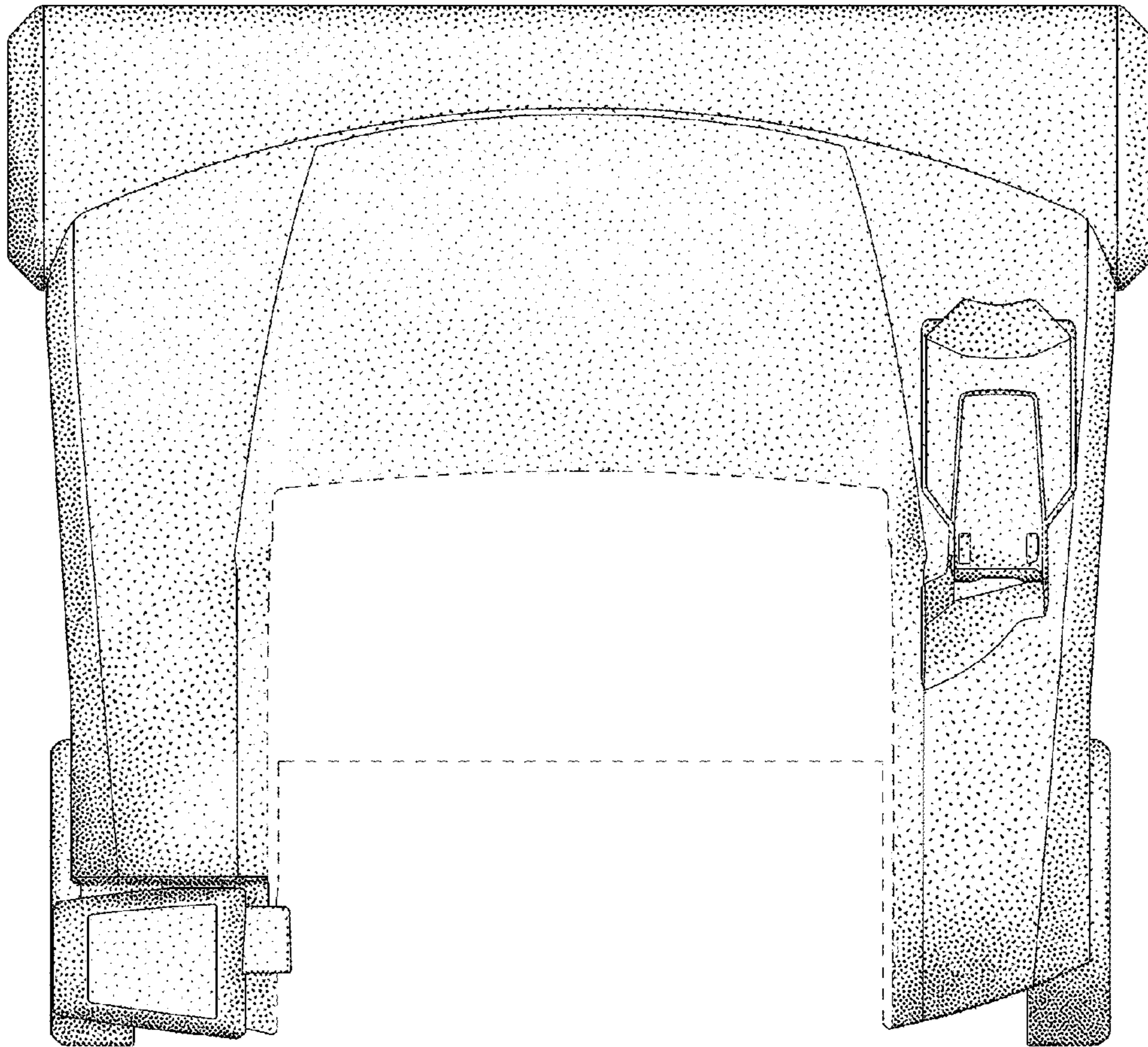


FIG. 6