



US00D707901S

(12) **United States Design Patent**
Israel

(10) **Patent No.:** **US D707,901 S**
(45) **Date of Patent:** **** Jun. 24, 2014**

- (54) **BACKPACK STEAM CLEANER**
- (71) Applicant: **Vornado Air, LLC**, Andover, KS (US)
- (72) Inventor: **Gary P. Israel**, Andover, KS (US)
- (73) Assignee: **Vornado Air, LLC**, Andover, KS (US)
- (**) Term: **14 Years**
- (21) Appl. No.: **29/441,259**
- (22) Filed: **Jan. 3, 2013**
- (51) **LOC (10) Cl.** **15-05**
- (52) **U.S. Cl.**
USPC **D32/17; D32/21**
- (58) **Field of Classification Search**
USPC D32/17-21, 24, 31-33, 50; 15/320,
15/322, 327.1, 327.5-327.7, 353,
15/415.1-422, 422.1, 329, 366, 383, 384,
15/400, 340.4, 340.2, 52.2, 50.1, 50.2;
68/222, 5 R, 5 A; 392/403-406, 394,
392/386; 8/149.3; 239/136, 128; 137/241;
38/77.5-77.7, 77.9, 3, 14, 141, 77.83
See application file for complete search history.

(56) **References Cited**

U.S. PATENT DOCUMENTS

D219,835	S	*	2/1971	Otto et al.	D32/21
4,325,162	A	*	4/1982	Chambers et al.	15/327.5
D326,747	S	*	6/1992	Stickle	D32/21
5,267,371	A	*	12/1993	Soler et al.	15/327.5
5,588,177	A	*	12/1996	Eriksen	15/327.5
D398,426	S	*	9/1998	Bisson	D32/21
6,151,749	A	*	11/2000	Berfield	15/327.5
RE37,081	E	*	3/2001	Eriksen	15/327.5
D446,365	S	*	8/2001	Bisson	D32/21
6,295,692	B1	*	10/2001	Shideler	15/327.5
D459,039	S	*	6/2002	Bisson	D32/21
6,553,610	B1	*	4/2003	Shideler	15/327.5
D518,927	S	*	4/2006	Rupp et al.	D32/21

D521,695	S	*	5/2006	Jacobs et al.	D32/21
D534,697	S	*	1/2007	Reick-Mitrisin et al.	D32/21
D537,583	S	*	2/2007	Crevling et al.	D32/21
7,287,300	B2	*	10/2007	Rupp et al.	15/327.6
D572,420	S	*	7/2008	Genoa et al.	D32/21
7,437,796	B2	*	10/2008	Rappin	15/327.5
D581,113	S	*	11/2008	Hoshino et al.	D32/21
D599,063	S	*	8/2009	Catron	D32/21
D601,314	S	*	9/2009	Catron	D32/21
7,600,290	B1	*	10/2009	Peters	15/327.5
D617,962	S	*	6/2010	Clepper et al.	D32/21
D618,408	S	*	6/2010	Clepper et al.	D32/21
D620,655	S	*	7/2010	Pezzaniti	D32/21

(Continued)

OTHER PUBLICATIONS

U.S. Appl. No. 29/441,257, filed Jan. 3, 2013, Gary P. Israel.

(Continued)

Primary Examiner — Ruth McInroy

(74) *Attorney, Agent, or Firm* — David H. Milligan

(57)

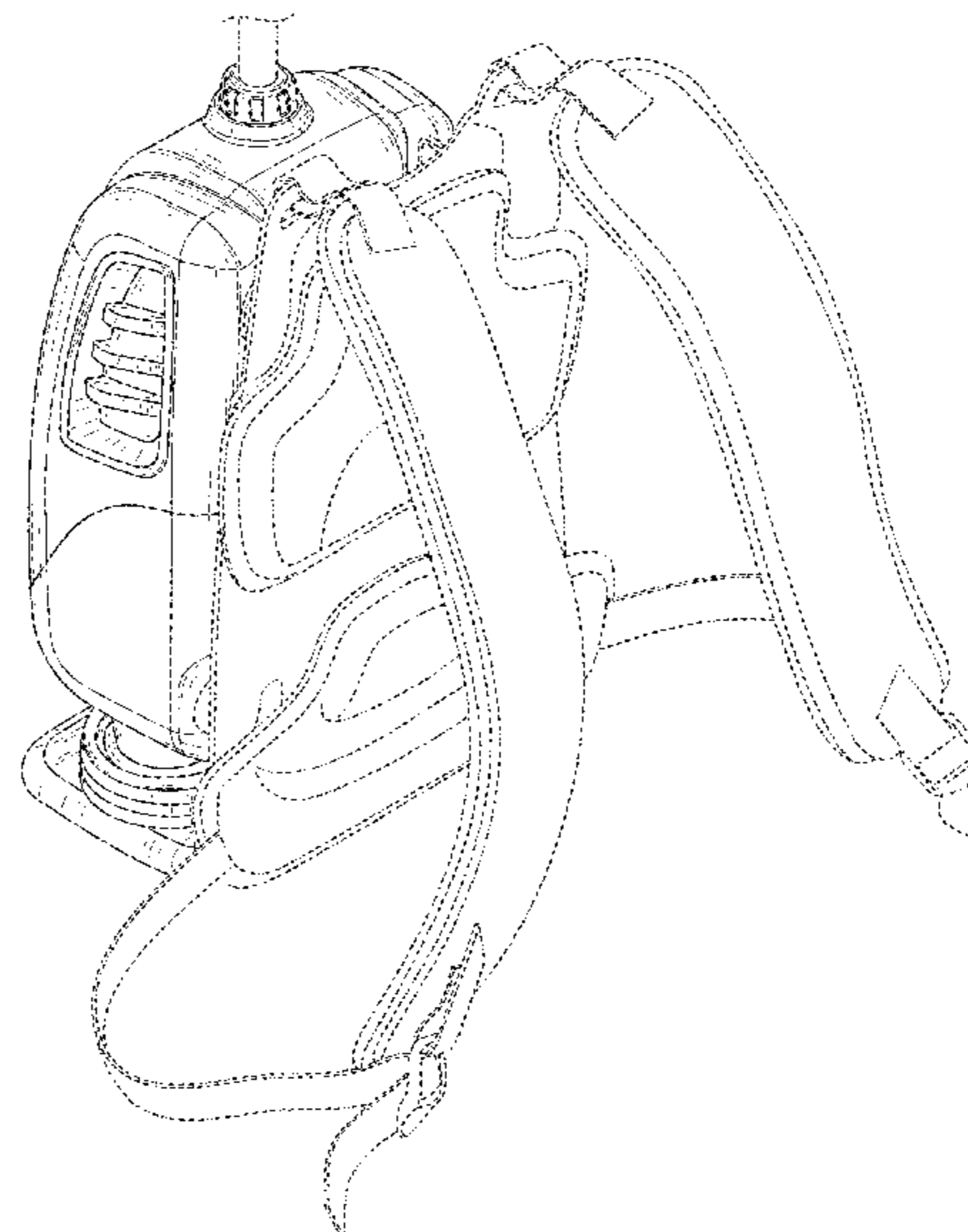
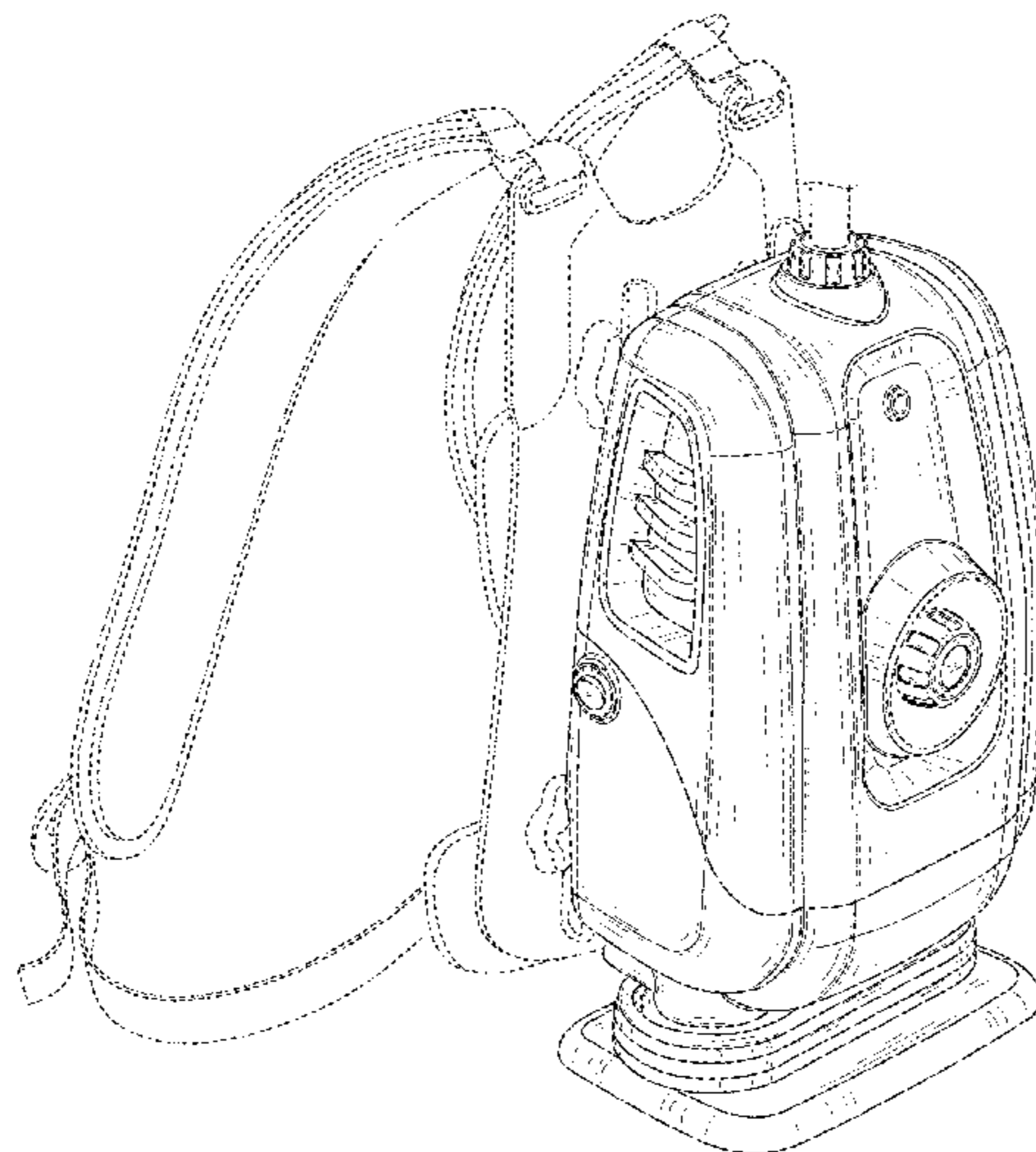
CLAIM

The ornamental design for a backpack steam cleaner, as shown and described.

DESCRIPTION

FIG. 1 is a top, front and right-side perspective view of a backpack steam cleaner showing my new design;
 FIG. 2 is a top, rear and left-side perspective view thereof;
 FIG. 3 is a front elevation view thereof;
 FIG. 4 is a rear elevation view thereof;
 FIG. 5 is a right side elevation view thereof;
 FIG. 6 is a left side elevation view thereof;
 FIG. 7 is a top plan view thereof; and,
 FIG. 8 is a bottom plan view thereof.
 The details shown in broken lines form no part of the claimed design.

1 Claim, 8 Drawing Sheets



(56)

References Cited

U.S. PATENT DOCUMENTS

D623,364 S 9/2010 Ediger et al.
D623,365 S 9/2010 Ediger et al.
D623,366 S 9/2010 Ediger et al.
D637,775 S * 5/2011 Penrow D32/21
D663,496 S 7/2012 Ediger et al.
D669,234 S 10/2012 Ediger et al.
2004/0107529 A1 * 6/2004 Shahbaz 15/327.5
2006/0005346 A1 * 1/2006 Rupp et al. 15/327.5

2007/0044270 A1 * 3/2007 Crevling et al. 15/327.5
2007/0174992 A1 * 8/2007 Murray et al. 15/326
2007/0209140 A1 * 9/2007 Clarke 15/327.5
2007/0209141 A1 * 9/2007 Hare 15/327.5
2008/0178416 A1 * 7/2008 Conrad 15/327.5
2010/0005614 A1 * 1/2010 Cochran et al. 15/327.5
2011/0289718 A1 * 12/2011 Basenberg et al. 15/327.5

OTHER PUBLICATIONS

U.S. Appl. No. 29/441,261, filed Jan. 3, 2013, Gary P. Israel.

* cited by examiner

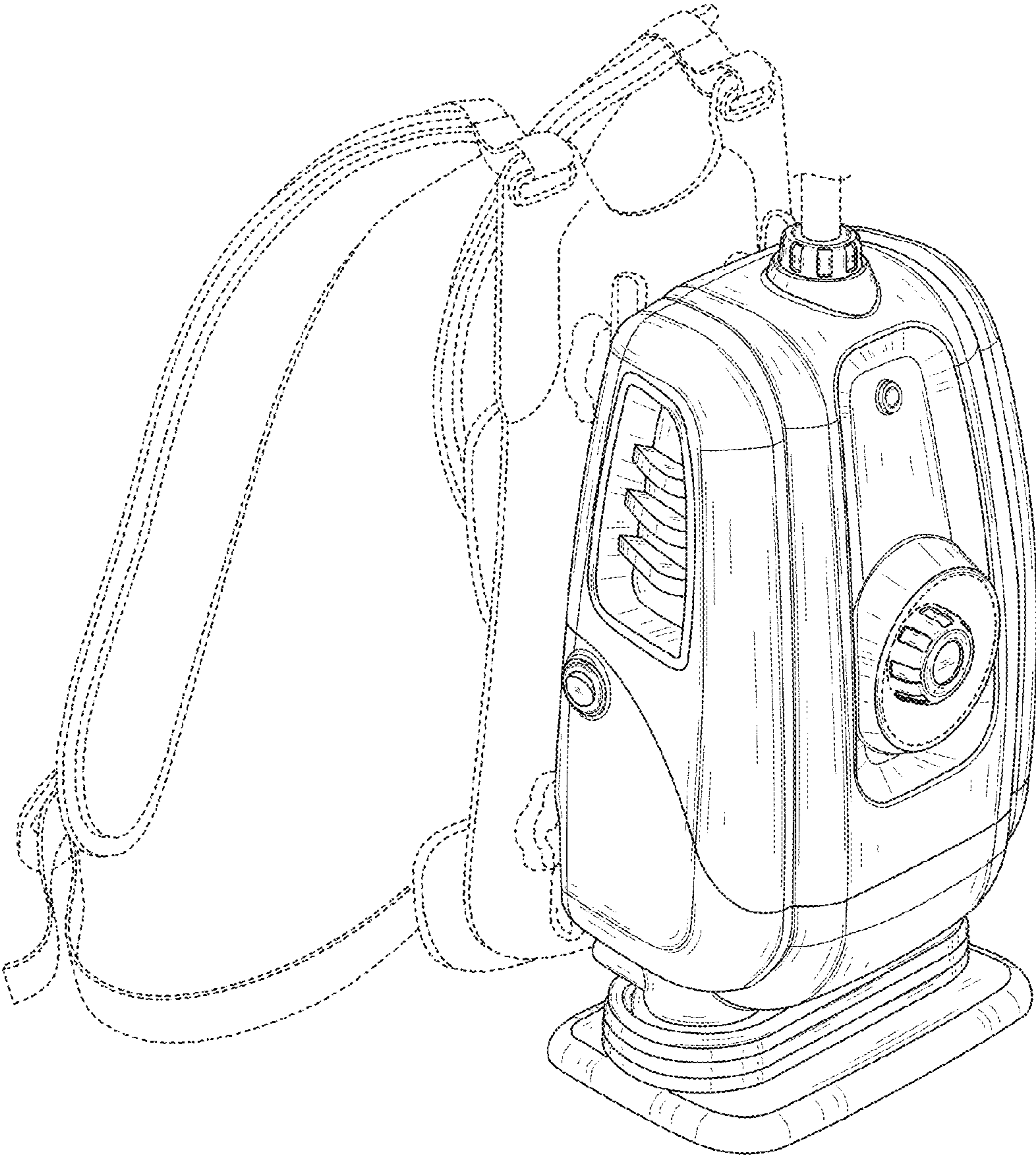


FIG. 1

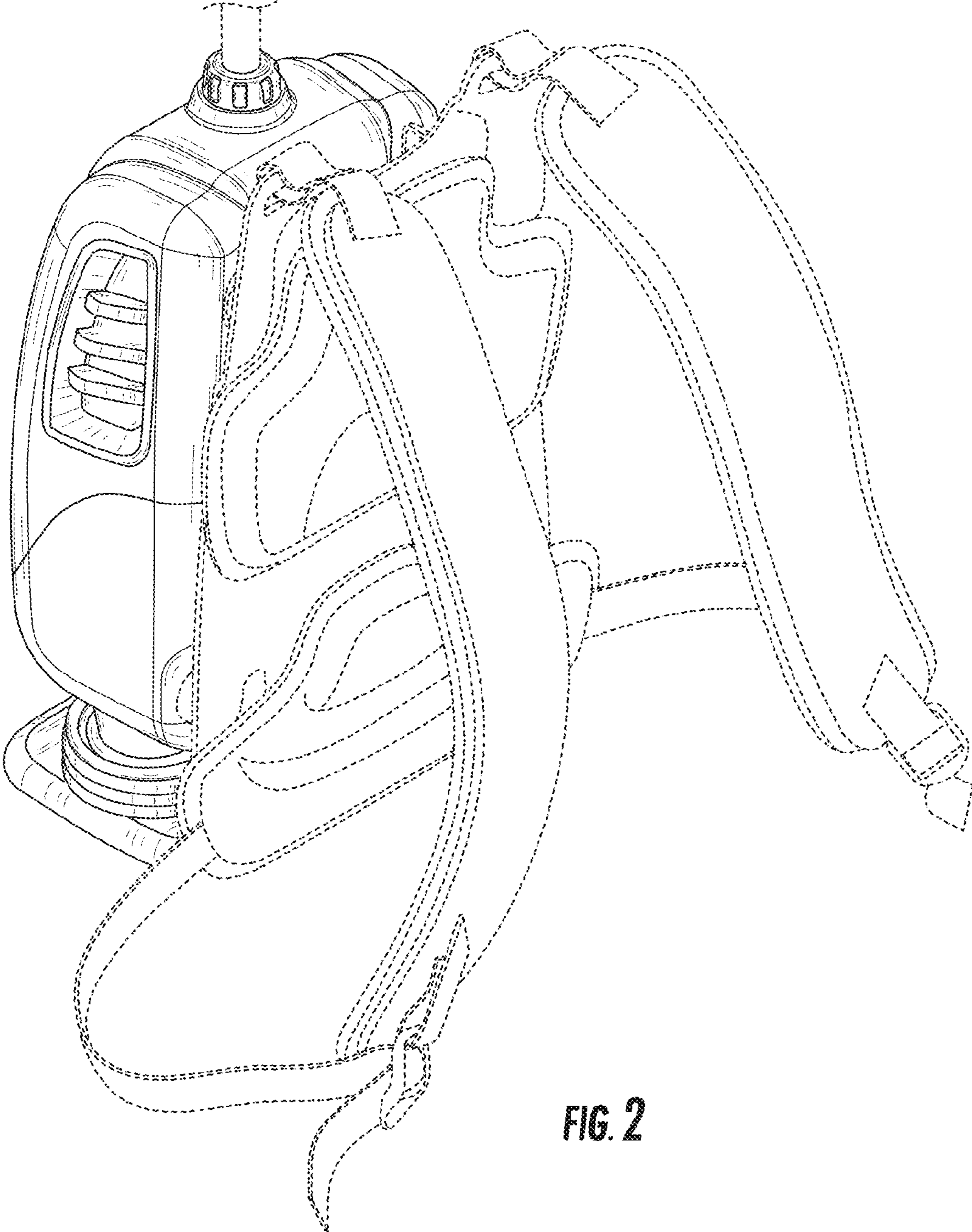


FIG. 2

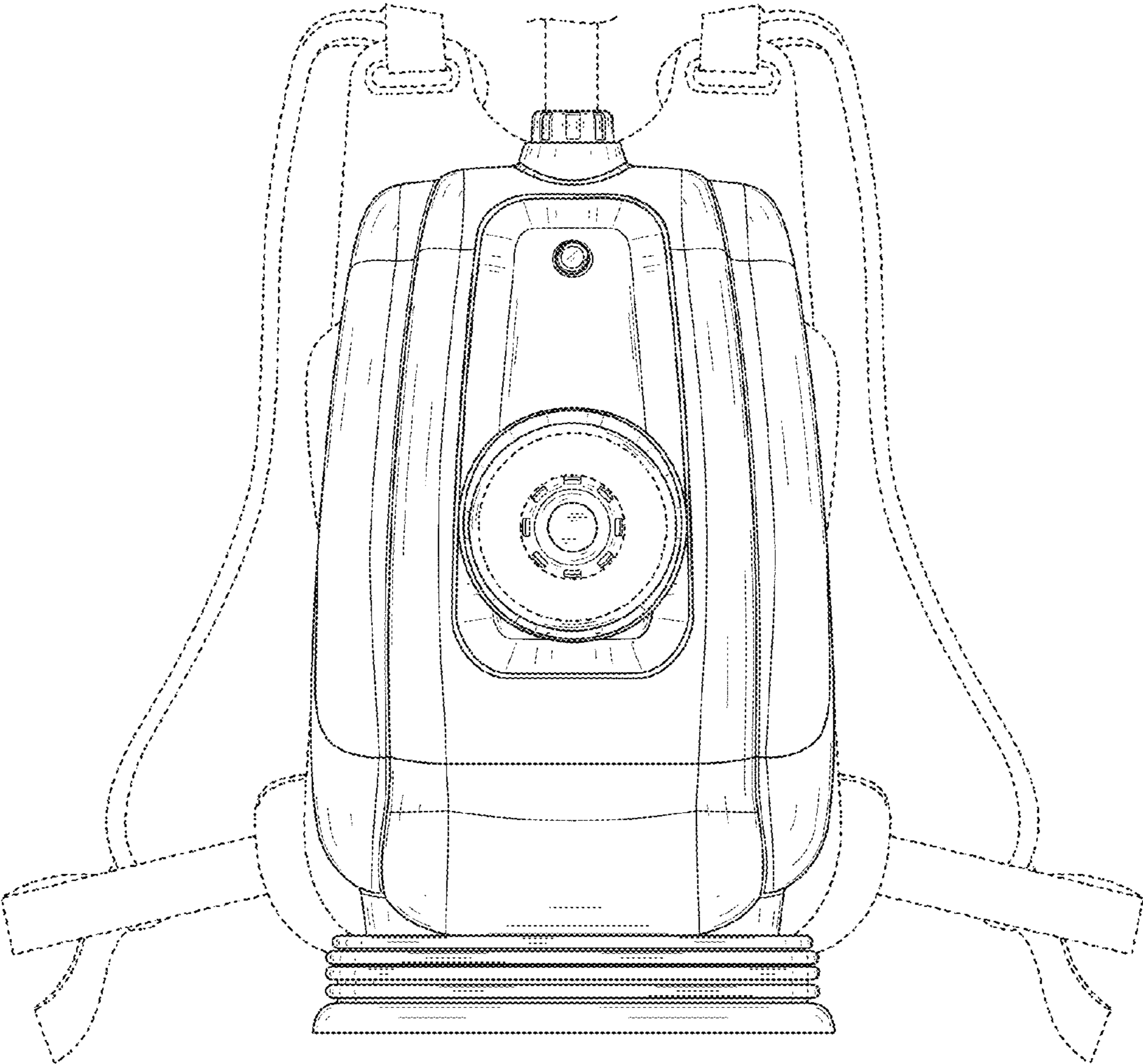


FIG. 3

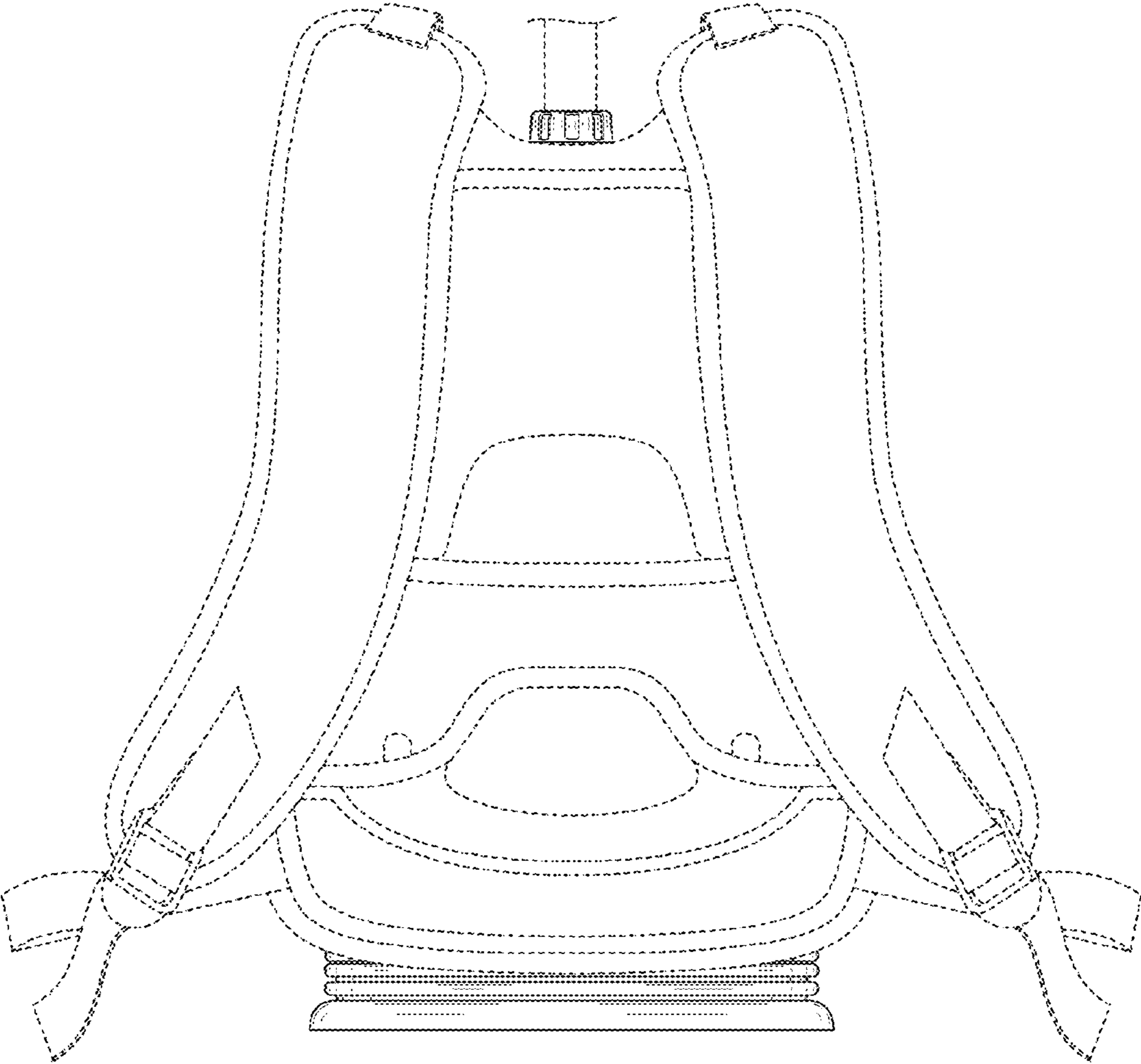


FIG. 4

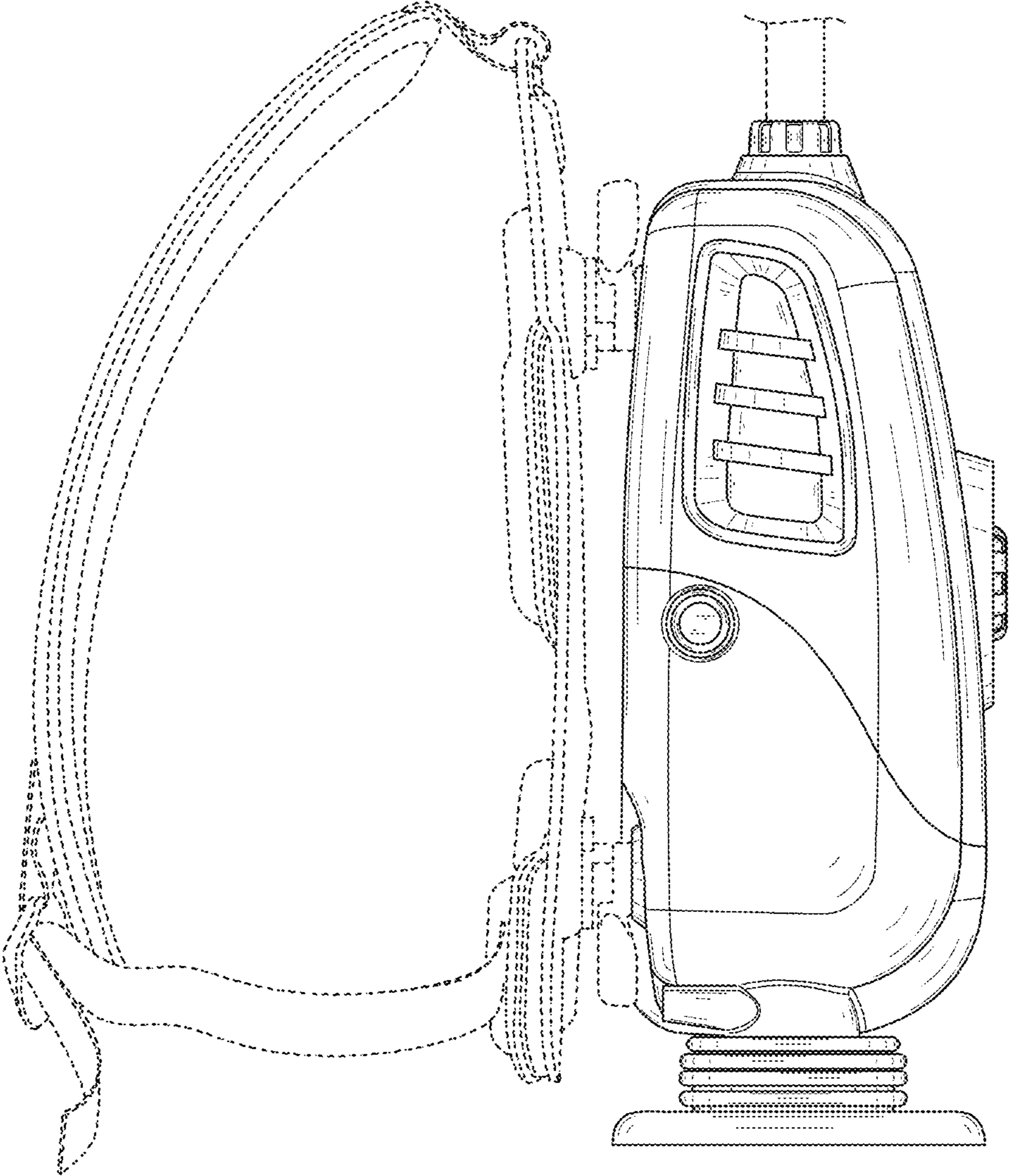


FIG. 5

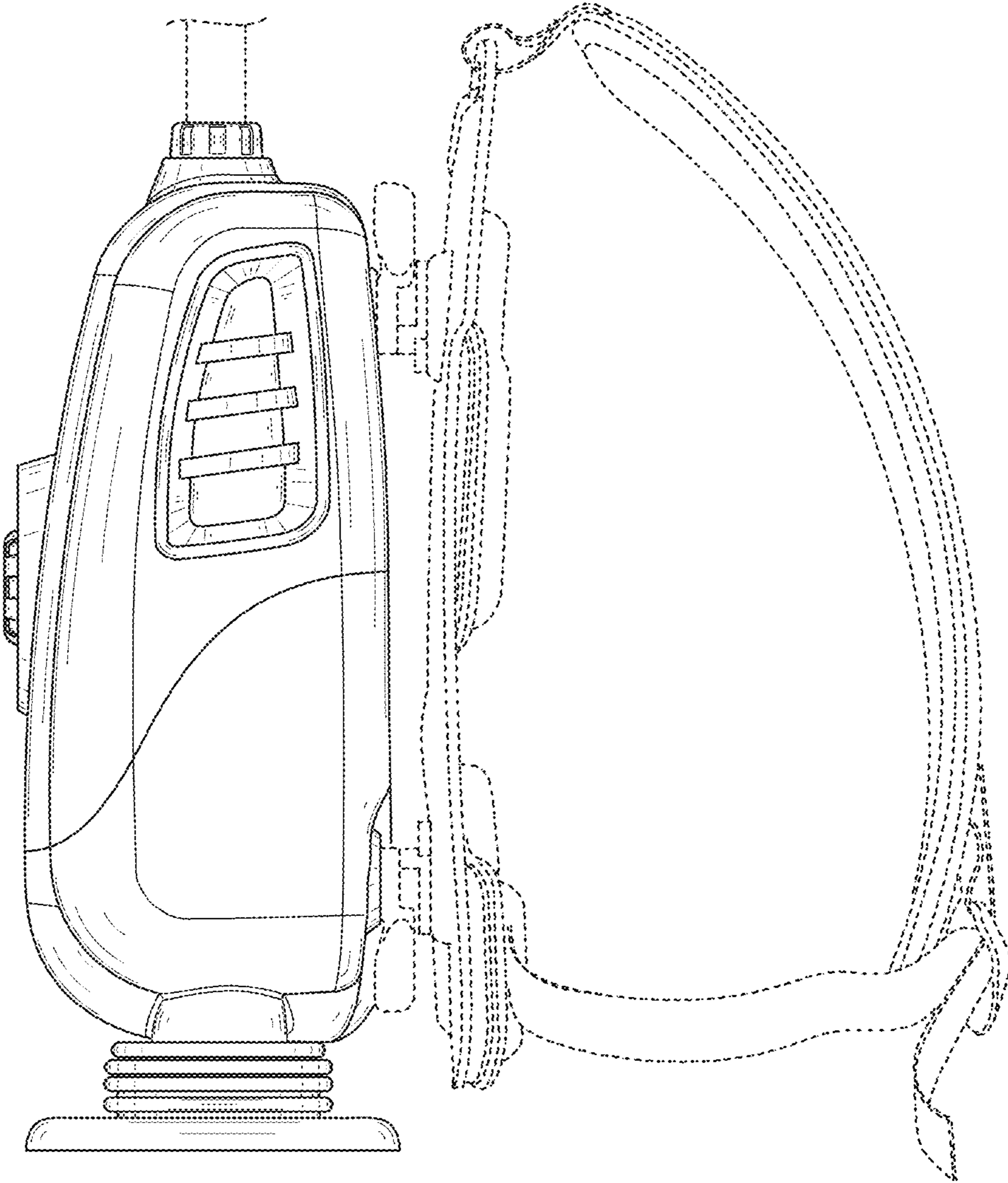


FIG. 6

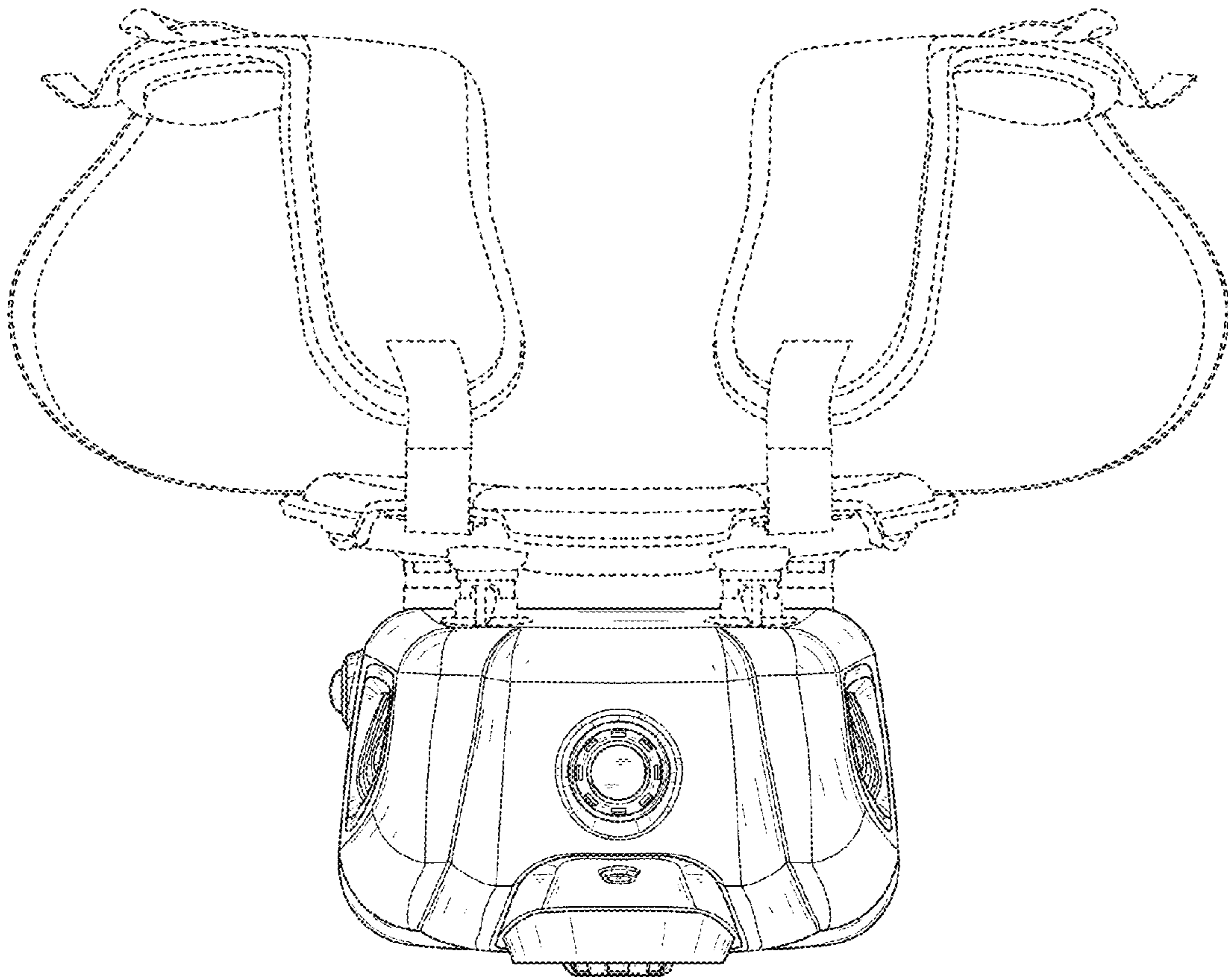


FIG. 7

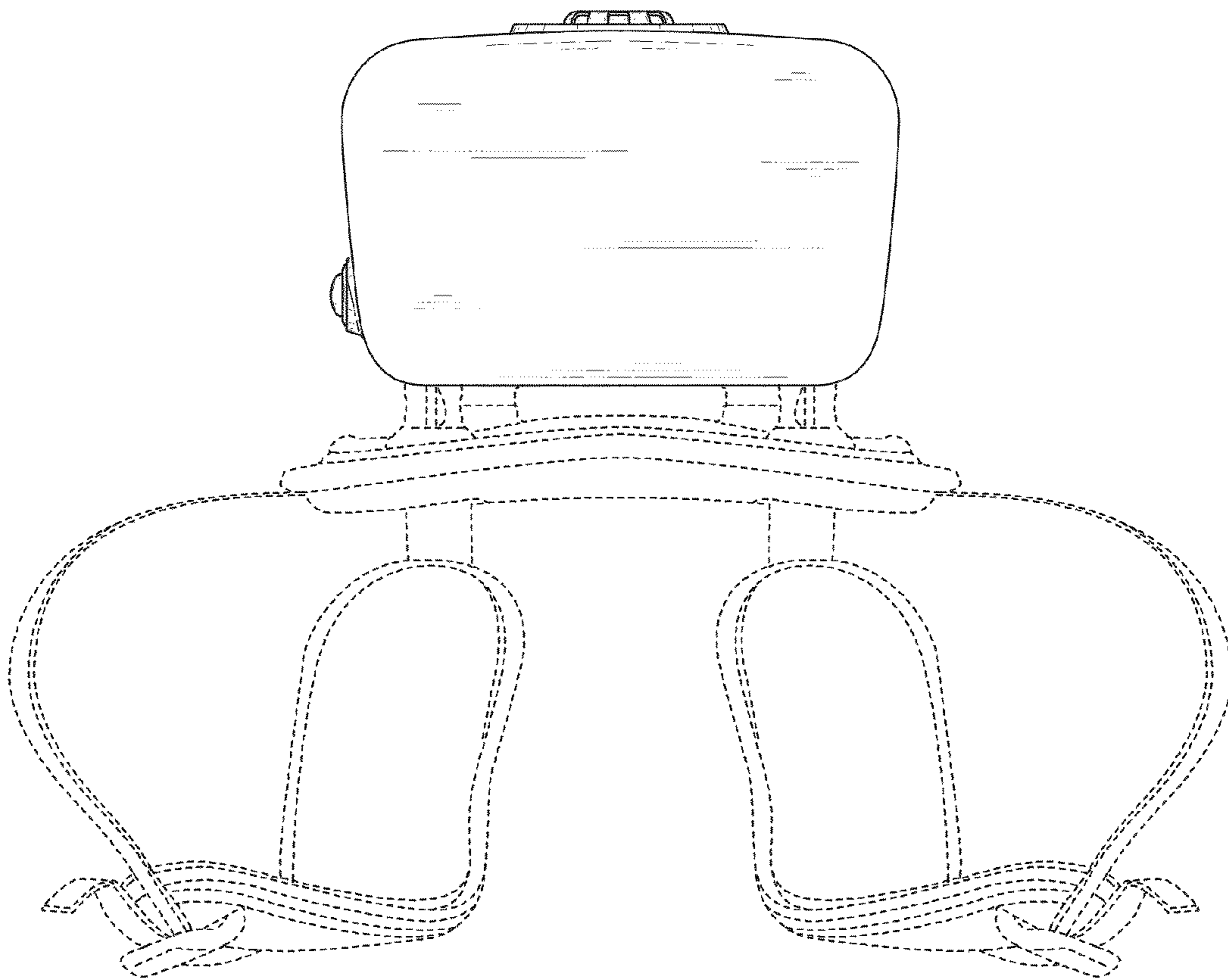


FIG. 8