



US00D707885S

(12) **United States Design Patent**
Cataudella et al.

(10) **Patent No.:** **US D707,885 S**
(45) **Date of Patent:** **** Jun. 24, 2014**

- (54) **SHAVING RAZOR CARTRIDGE**
- (71) Applicant: **The Gillette Company**, Boston, MA (US)
- (72) Inventors: **Matthew Corey Cataudella**, Boston, MA (US); **Alison Fiona Stephens**, Cookham (GB); **Paul Leslie Warrick**, Reading (GB)
- (73) Assignee: **The Gillette Company**, Boston, MA (US)
- (**) Term: **14 Years**
- (21) Appl. No.: **29/446,936**
- (22) Filed: **Feb. 28, 2013**
- (51) **LOC (10) Cl.** **28-03**
- (52) **U.S. Cl.**
USPC **D28/47**
- (58) **Field of Classification Search**
USPC 30/32, 34.05, 34.1-34.2, 41.9, 40-40.2, 30/41, 42-46, 47-52, 57-84, 526-541, 30/346.5-346.61; D28/44-48
See application file for complete search history.

D604,904 S	11/2009	Watson	
D625,883 S *	10/2010	Wonderley	D28/47
D627,100 S *	11/2010	Kinard et al.	D28/47
D627,101 S	11/2010	Kinard et al.	
D627,518 S *	11/2010	Kinard et al.	D28/47
D631,198 S	1/2011	Adams et al.	
D634,474 S	3/2011	Wilby	
D638,580 S	5/2011	Adams et al.	
D643,976 S *	8/2011	Wonderley et al.	D28/47
D648,075 S *	11/2011	Wonderley et al.	D28/47
D662,661 S *	6/2012	Corbeil et al.	D28/47
D665,130 S *	8/2012	Wain et al.	D28/47
D674,137 S *	1/2013	Wilby et al.	D28/46
2007/0062044 A1 *	3/2007	Walker et al.	30/50
2007/0062047 A1 *	3/2007	Zhuk et al.	30/346.53
2010/0077619 A1 *	4/2010	Follo et al.	30/50
2011/0258856 A1 *	10/2011	Walker et al.	30/50

* cited by examiner

Primary Examiner — Jennifer Rivard

(74) *Attorney, Agent, or Firm* — John M. Lipchitz; Kevin C. Johnson; Steven W. Miller

(57) **CLAIM**

The ornamental design for a shaving razor cartridge, as shown and described.

DESCRIPTION

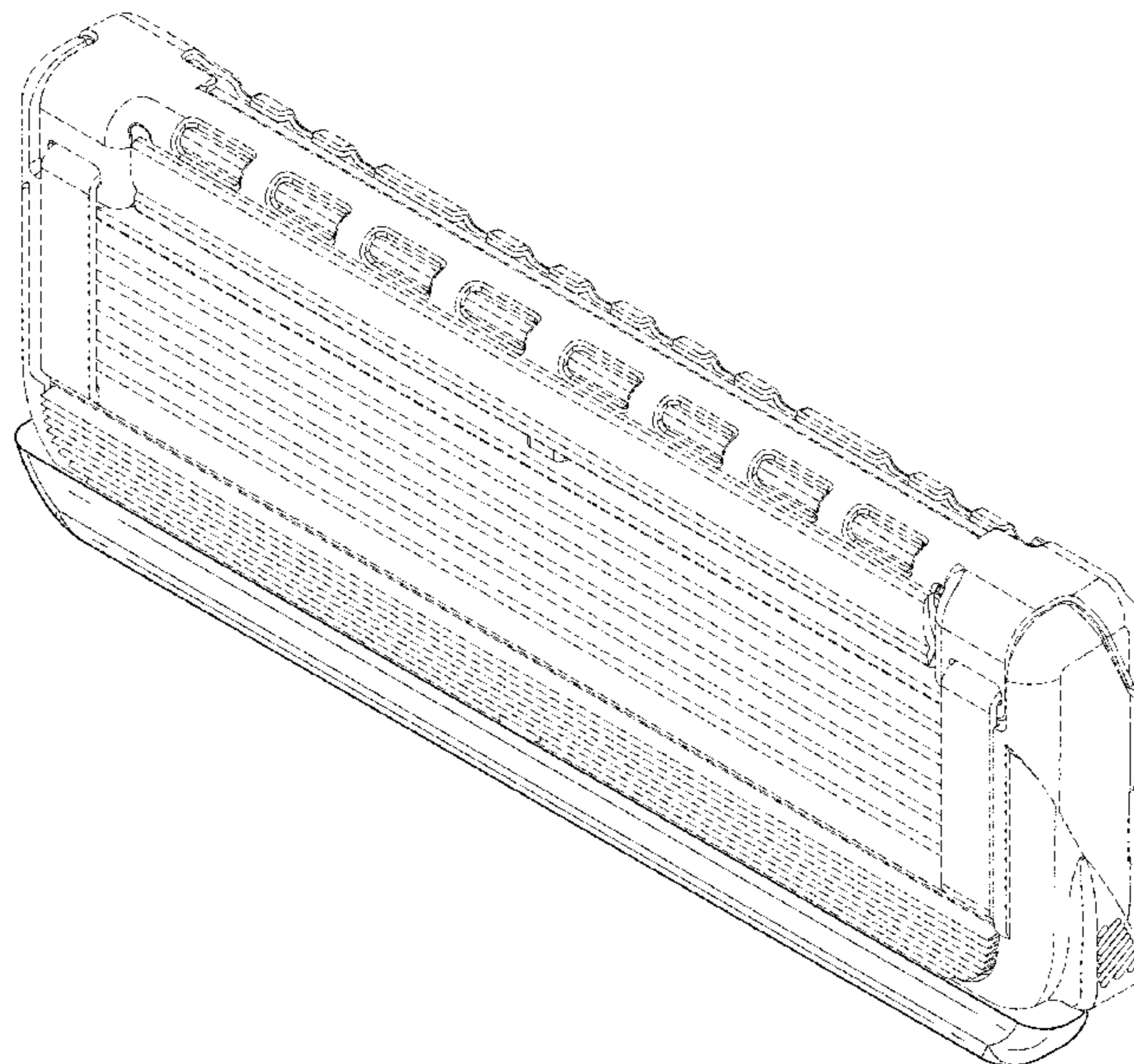
FIG. 1 is a perspective view of a shaving razor cartridge showing our new design;
 FIG. 2 is a top view thereof;
 FIG. 3 is a bottom view thereof;
 FIG. 4 is a left view thereof;
 FIG. 5 is a right view thereof;
 FIG. 6 is a top view thereof; and,
 FIG. 7 is a bottom view thereof.
 The broken lines are directed to the environment and are for illustrative purposes only and form no part of the claimed design.

1 Claim, 5 Drawing Sheets

(56) **References Cited**

U.S. PATENT DOCUMENTS

D343,254 S *	1/1994	Miller et al.	D28/47
D403,811 S *	1/1999	Brown et al.	D28/47
5,903,979 A *	5/1999	Oldroyd	30/41
6,167,625 B1 *	1/2001	King et al.	30/34.2
6,568,082 B2	5/2003	Pouettre et al.	
D512,186 S *	11/2005	Kling	D28/54
D524,482 S *	7/2006	Fischer et al.	D28/47
D524,986 S *	7/2006	Prudden, Jr.	D28/47
D533,684 S *	12/2006	Gray et al.	D28/47
7,540,087 B2 *	6/2009	Rawle	30/34.1



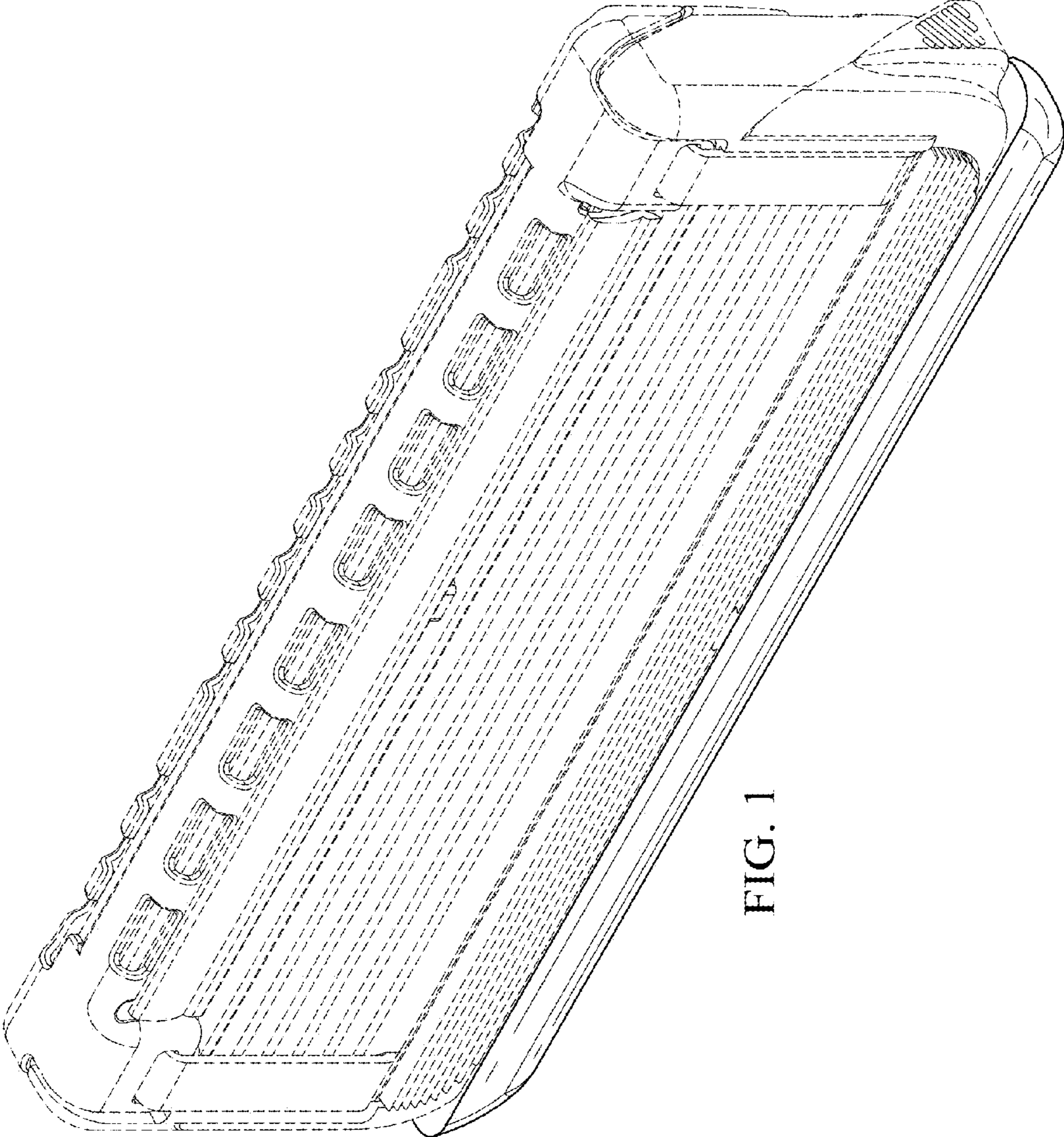


FIG. 1

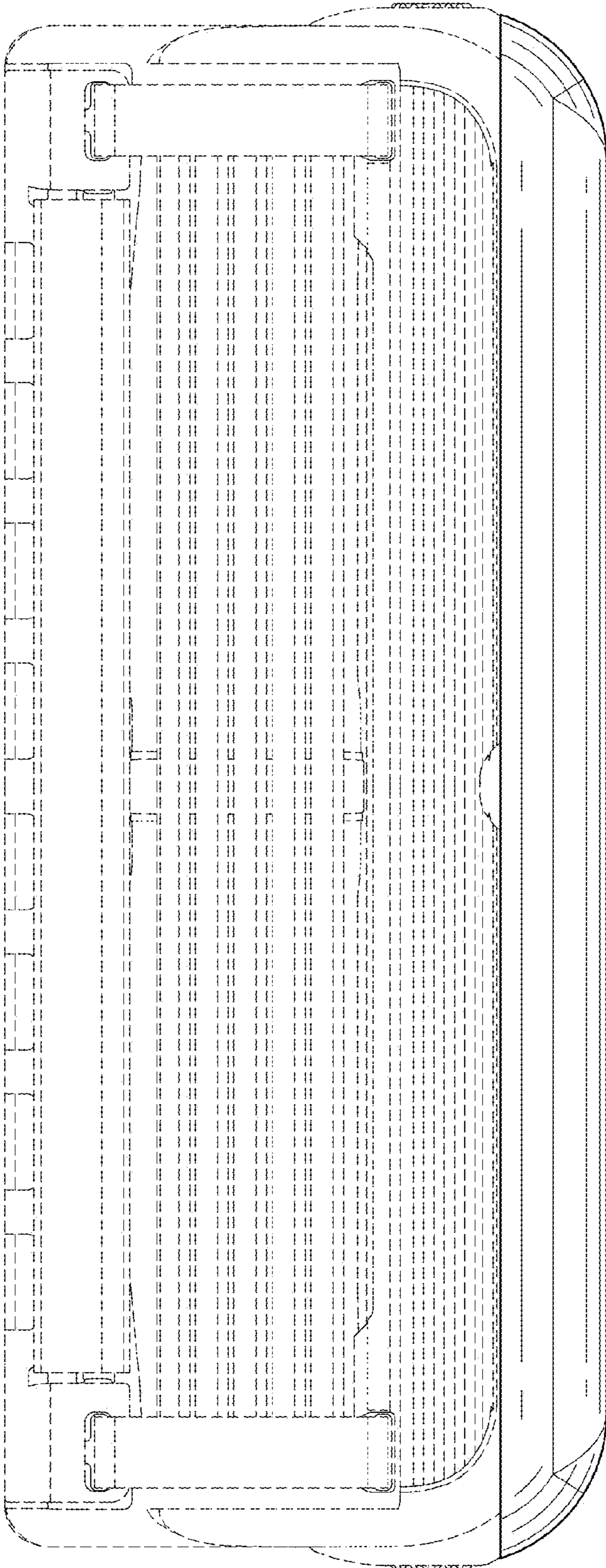


FIG. 2

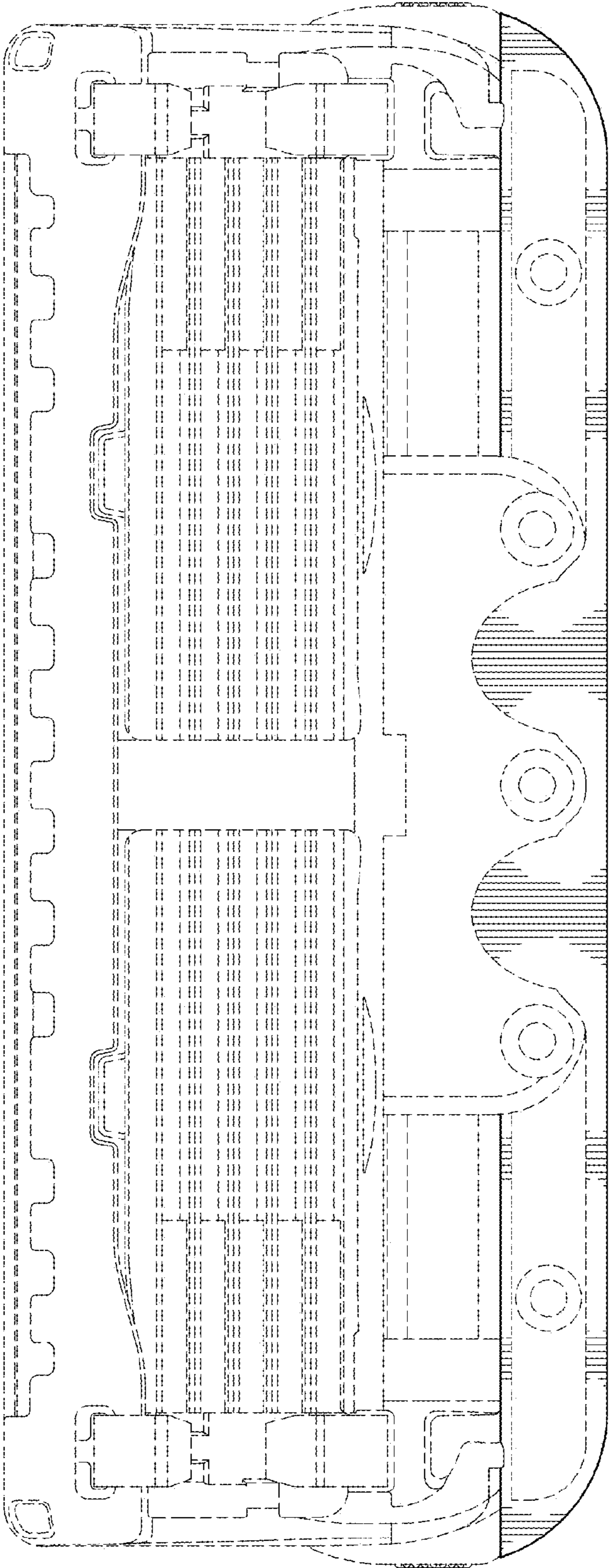


FIG. 3

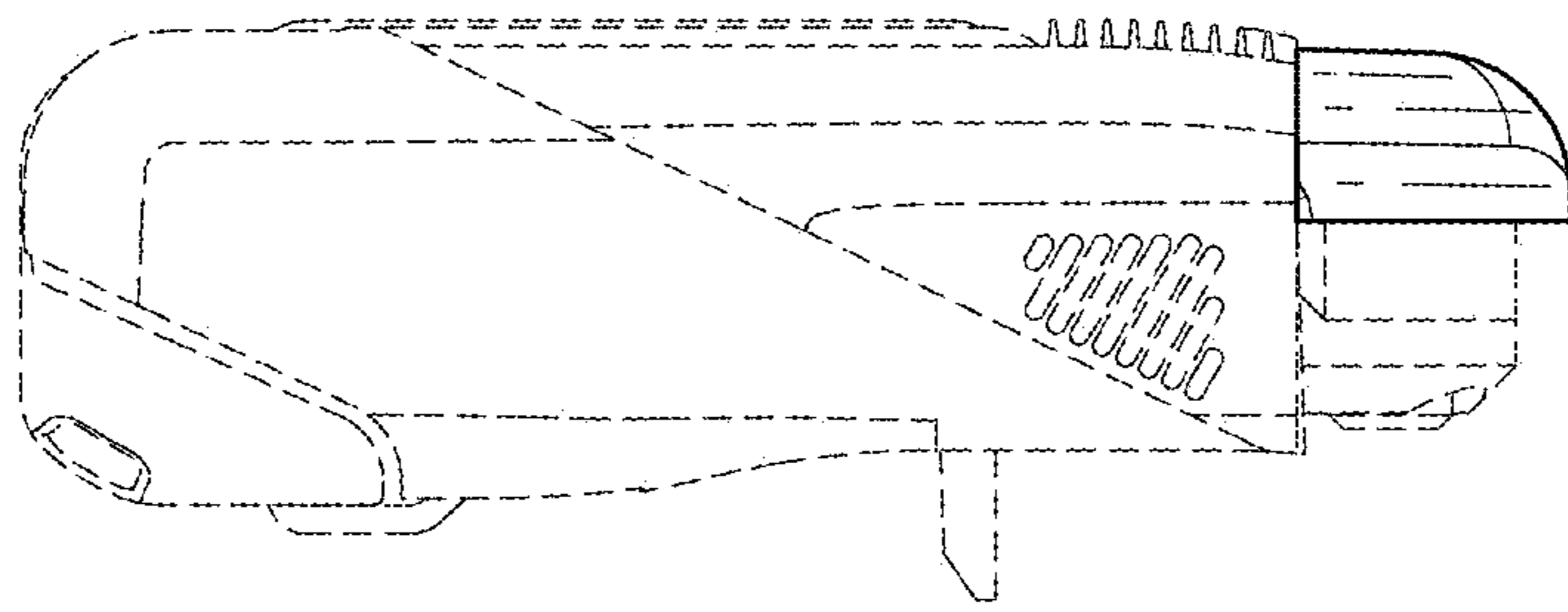


FIG. 5

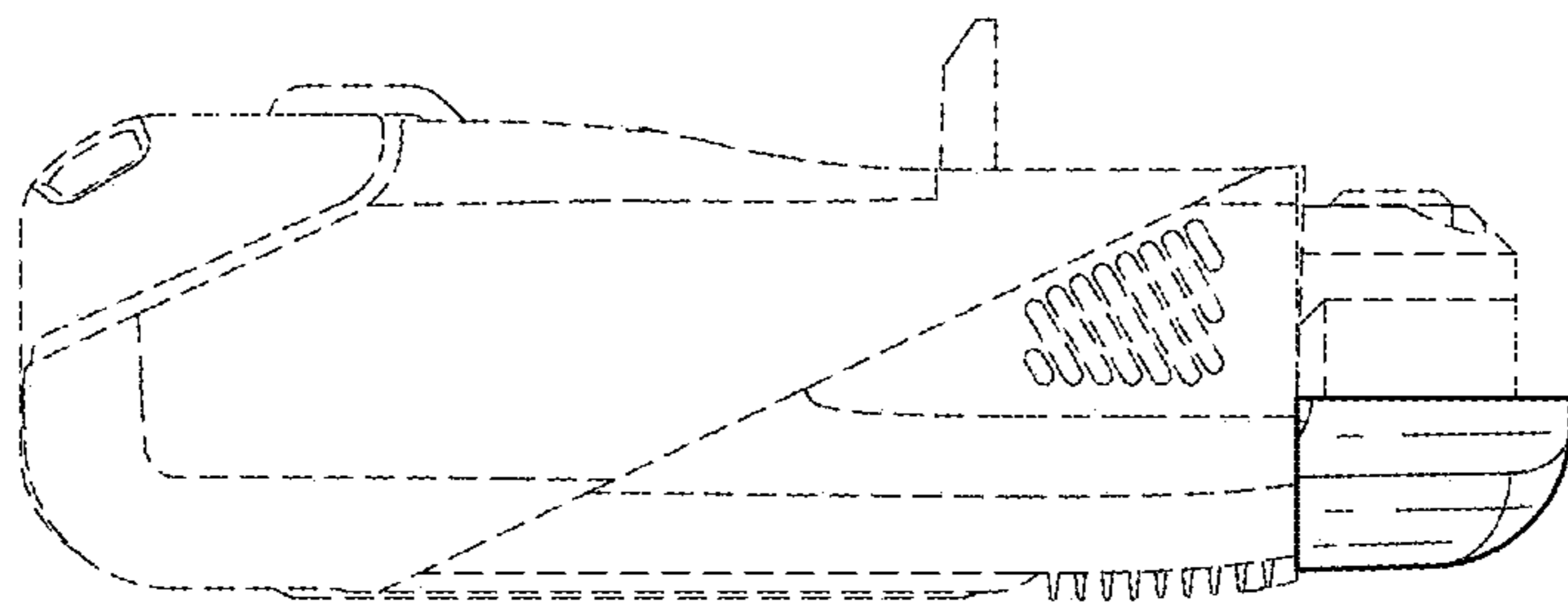


FIG. 4

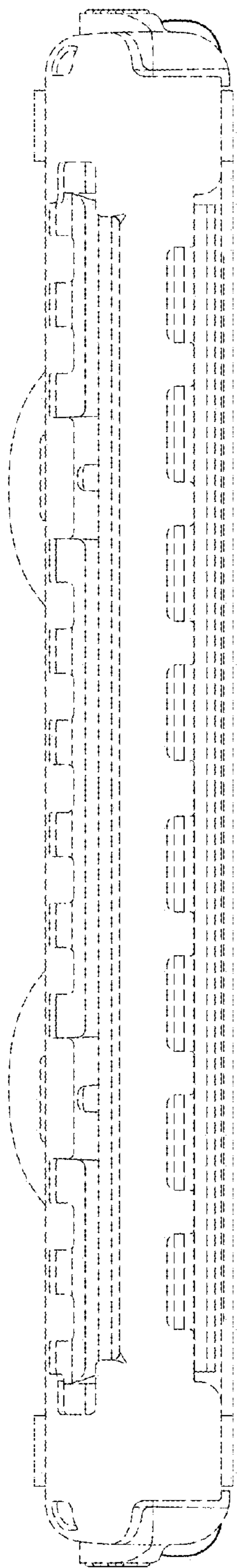


FIG. 6

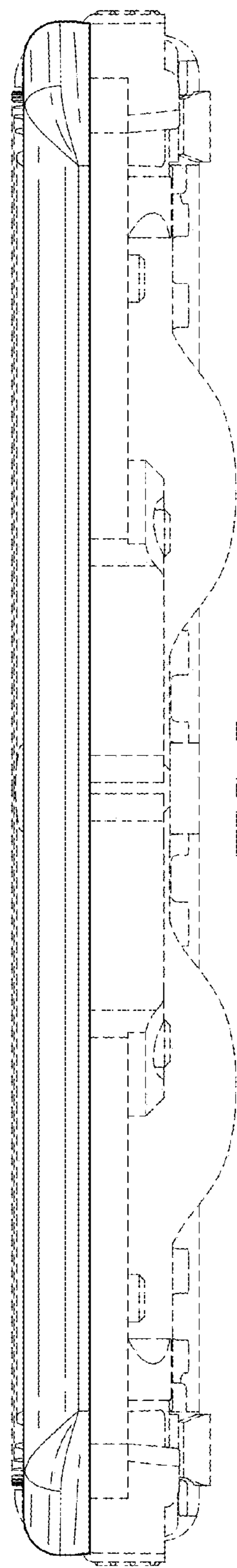


FIG. 7