



US00D707882S

(12) **United States Design Patent**
Nankil

(10) **Patent No.:** **US D707,882 S**
(45) **Date of Patent:** **** Jun. 24, 2014**

(54) **MOUNTING BRACKET FOR SUPPORTING A LUMINAIRE**

(75) Inventor: **Robert R. Nankil**, Buena Park, CA (US)

(73) Assignee: **Hubbell Incorporated**, Shelton, CT (US)

(**) Term: **14 Years**

(21) Appl. No.: **29/411,080**

(22) Filed: **Jan. 17, 2012**

(51) **LOC (10) Cl.** **26-99**

(52) **U.S. Cl.**
USPC **D26/138**

(58) **Field of Classification Search**
USPC D26/2, 3, 24, 60-63, 65, 68, 70-72, 74, D26/76, 80-87, 93, 113, 118, 120-122, 124, D26/128, 130, 134, 137, 138, 141, 142, 145, D26/152-155; D13/133.134, 136, 146, 178, D13/180; 362/92, 102, 147, 327, 364, 367, 362/368, 405, 407, 413, 545; 165/80.3, 165/104.21, 104.33; 248/303; D8/354, 367, D8/370; D25/38, 126; D6/524, 649
See application file for complete search history.

(56) **References Cited**

U.S. PATENT DOCUMENTS

168,705 A	10/1875	Barcellos	
D24,909 S	11/1895	Corscaden	
D47,283 S *	5/1915	Eagan	D8/380
D52,076 S	6/1918	Holstein	
D340,405 S	10/1993	Anderson	
5,667,188 A	9/1997	Bettinsoli	
D426,914 S	6/2000	Jaspers-Fayer et al.	
D441,130 S *	4/2001	Compton et al.	D26/155
D444,260 S	6/2001	Dolan	

D454,975 S *	3/2002	De'Armond et al.	D26/155
D461,592 S	8/2002	De'Armond et al.	
D465,302 S *	11/2002	Compton et al.	D26/155
D491,307 S	6/2004	Curtin	
D511,859 S *	11/2005	De'Armond	D26/155
D522,164 S	5/2006	Trivino et al.	
D526,085 S *	8/2006	Yando et al.	D26/155
D537,189 S	2/2007	Zhang	
D556,945 S *	12/2007	Compton	D26/155
D568,532 S *	5/2008	Compton	D26/155
2002/0136002 A1	9/2002	Hoernig	

* cited by examiner

Primary Examiner — Zenia Bennett

(74) *Attorney, Agent, or Firm* — Garrett V. Davis; Alfred N. Goodman; Mark S. Bicks

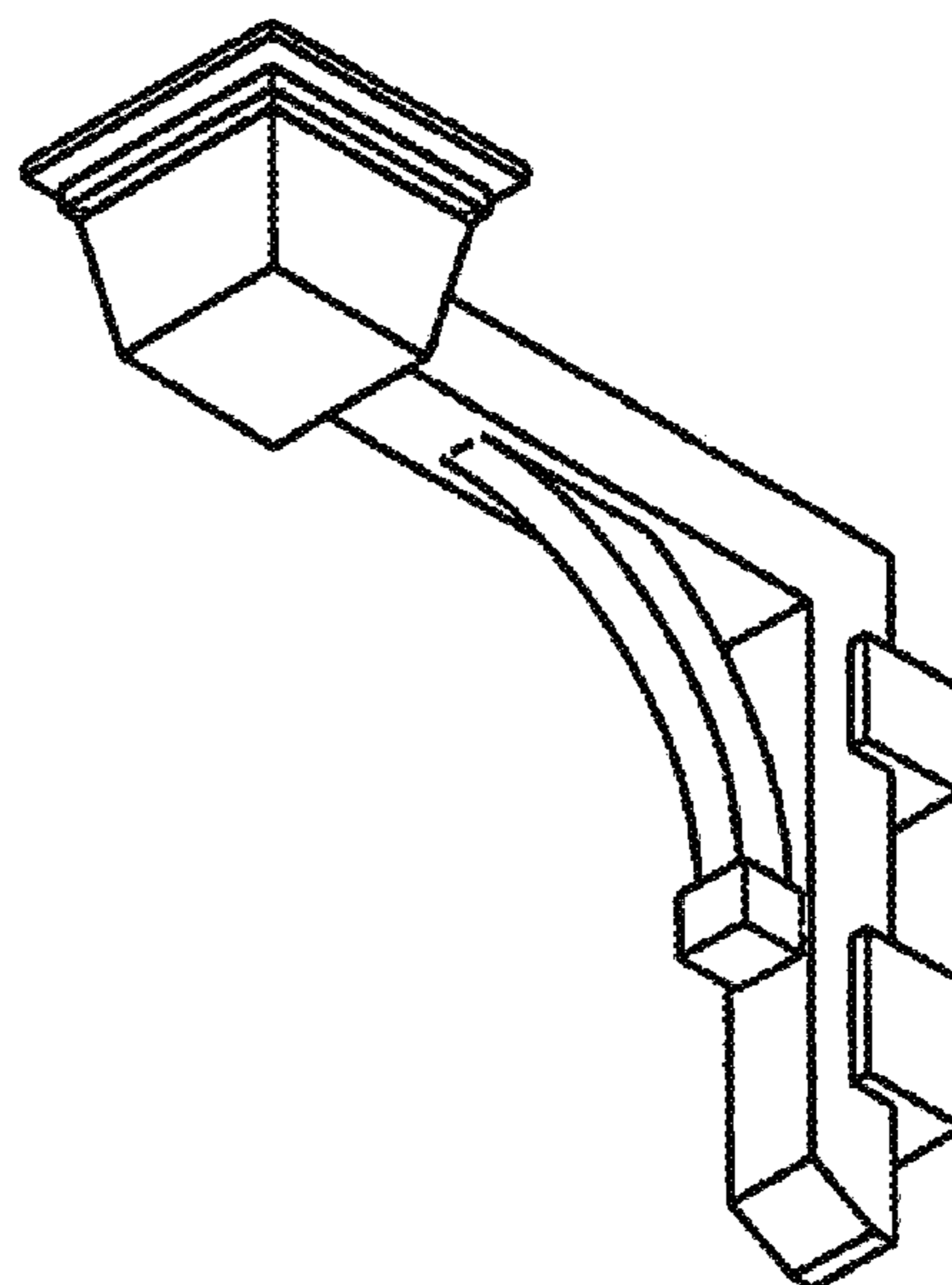
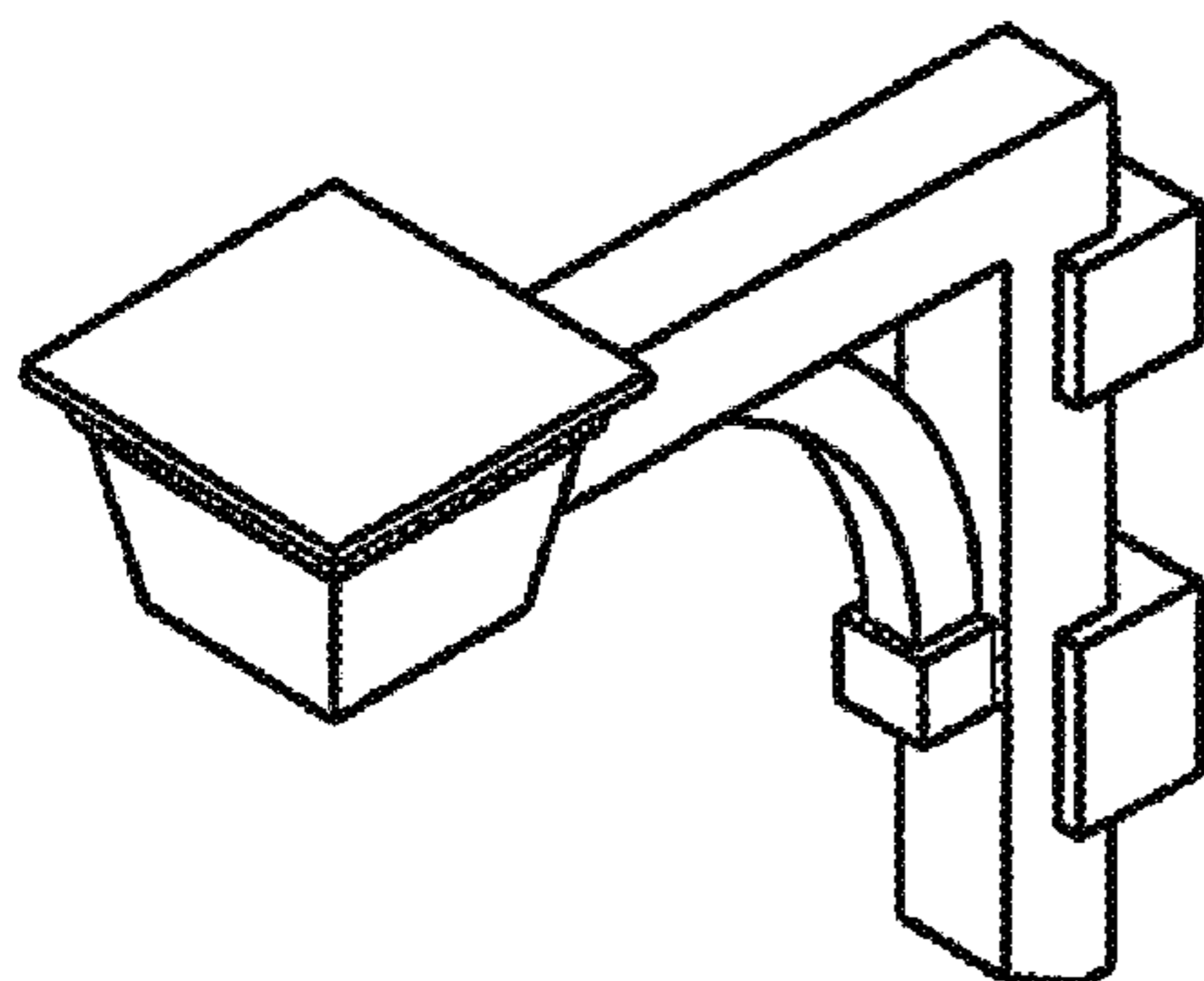
(57) **CLAIM**

The ornamental design for a mounting bracket for supporting a luminaire, as shown and described.

DESCRIPTION

FIG. 1 is a top view of the mounting bracket for supporting luminaire of the invention with the luminaire mounting surface facing in an upward direction;
 FIG. 2 is a perspective view of the mounting bracket for supporting a luminaire of FIG. 1;
 FIG. 3 is a front view of the mounting bracket for supporting a luminaire of FIG. 1;
 FIG. 4 is a right side view of the mounting bracket for supporting a luminaire of FIG. 1 where the left side view of a mirror image thereof;
 FIG. 5 is a bottom view of the mounting bracket for supporting a luminaire of FIG. 1; and,
 FIG. 6 is a bottom perspective view of the mounting bracket for supporting a luminaire of FIG. 1.

1 Claim, 1 Drawing Sheet



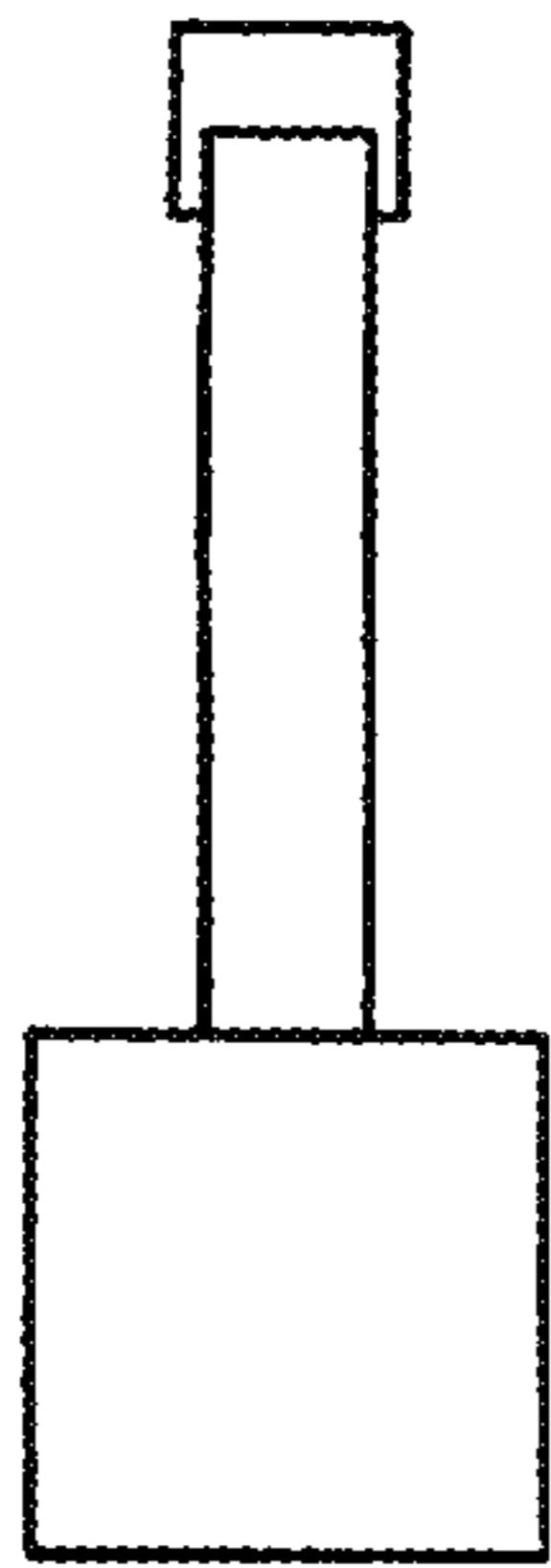


FIG. 1

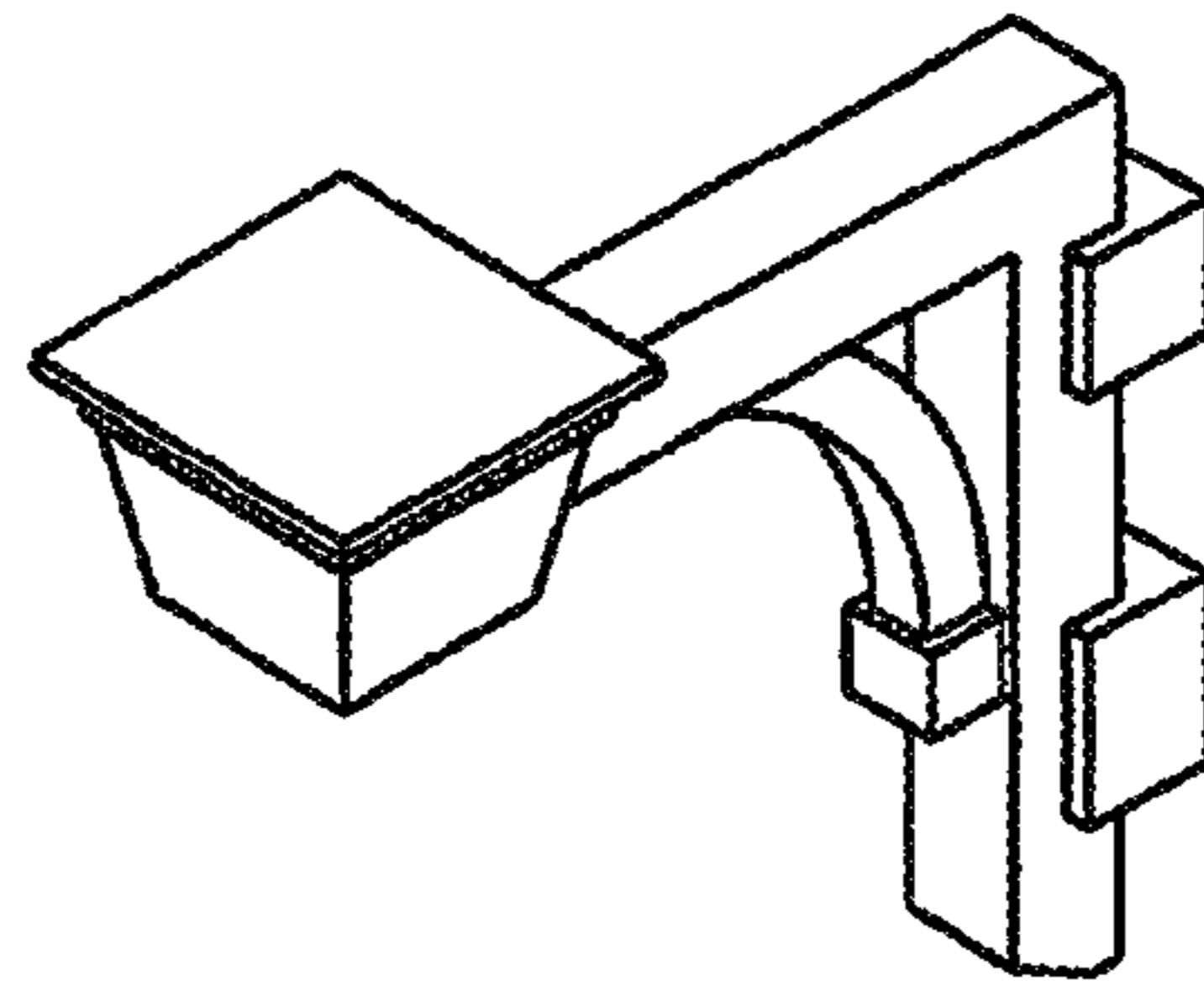


FIG. 2

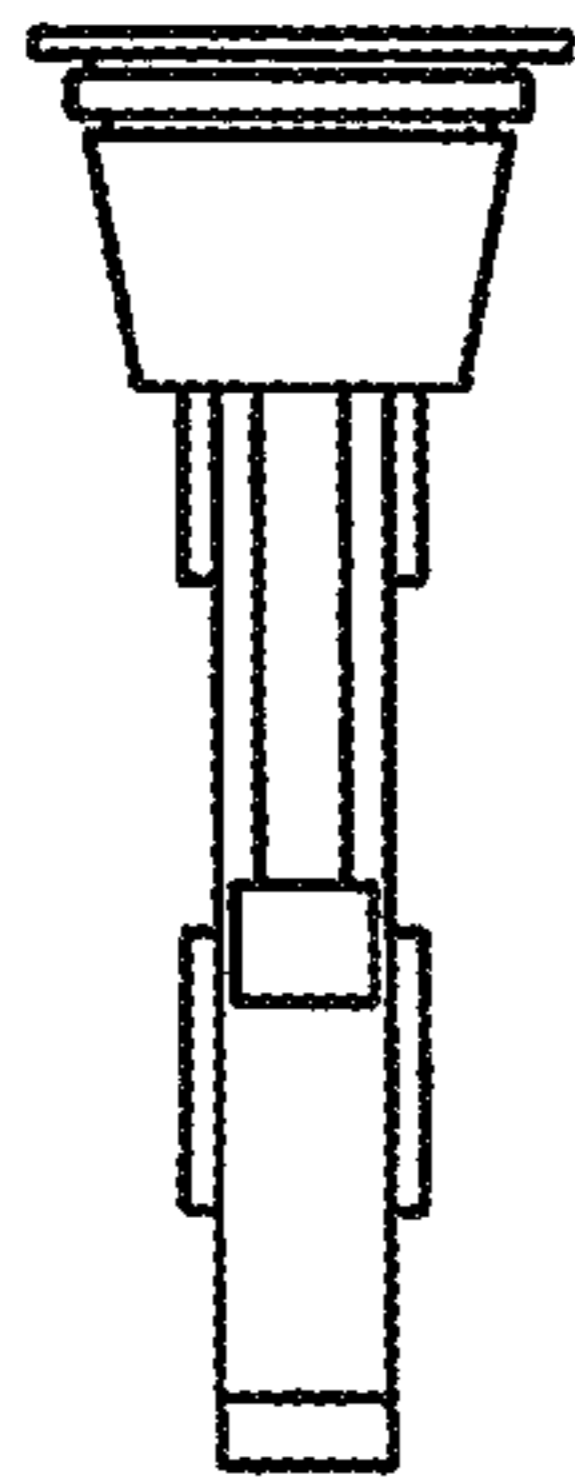


FIG. 3

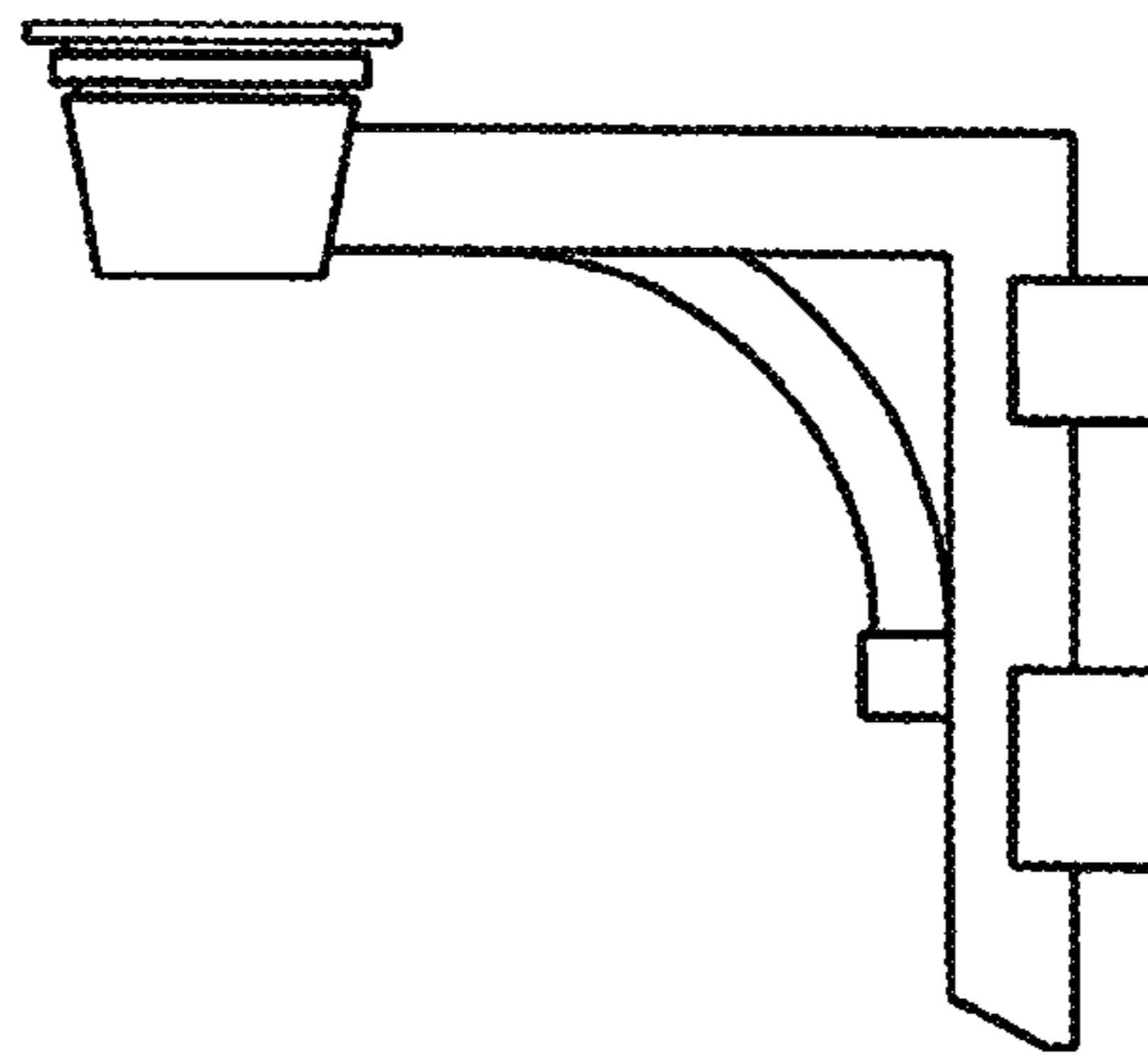


FIG. 4

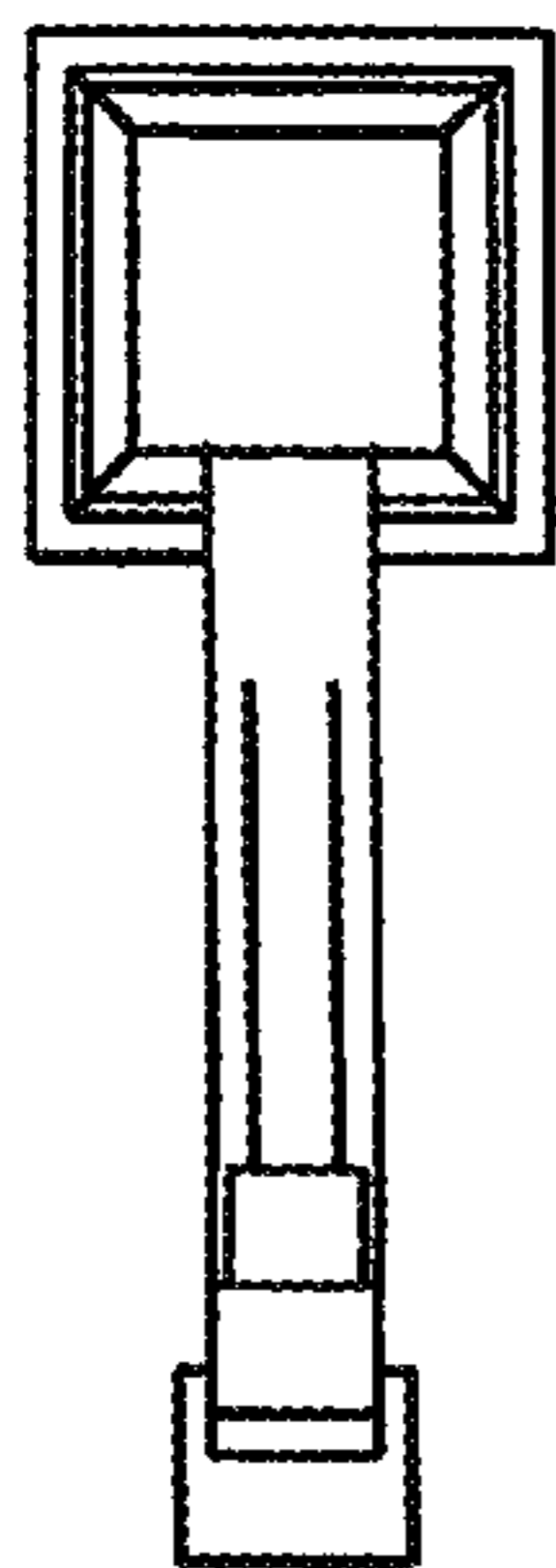


FIG. 5

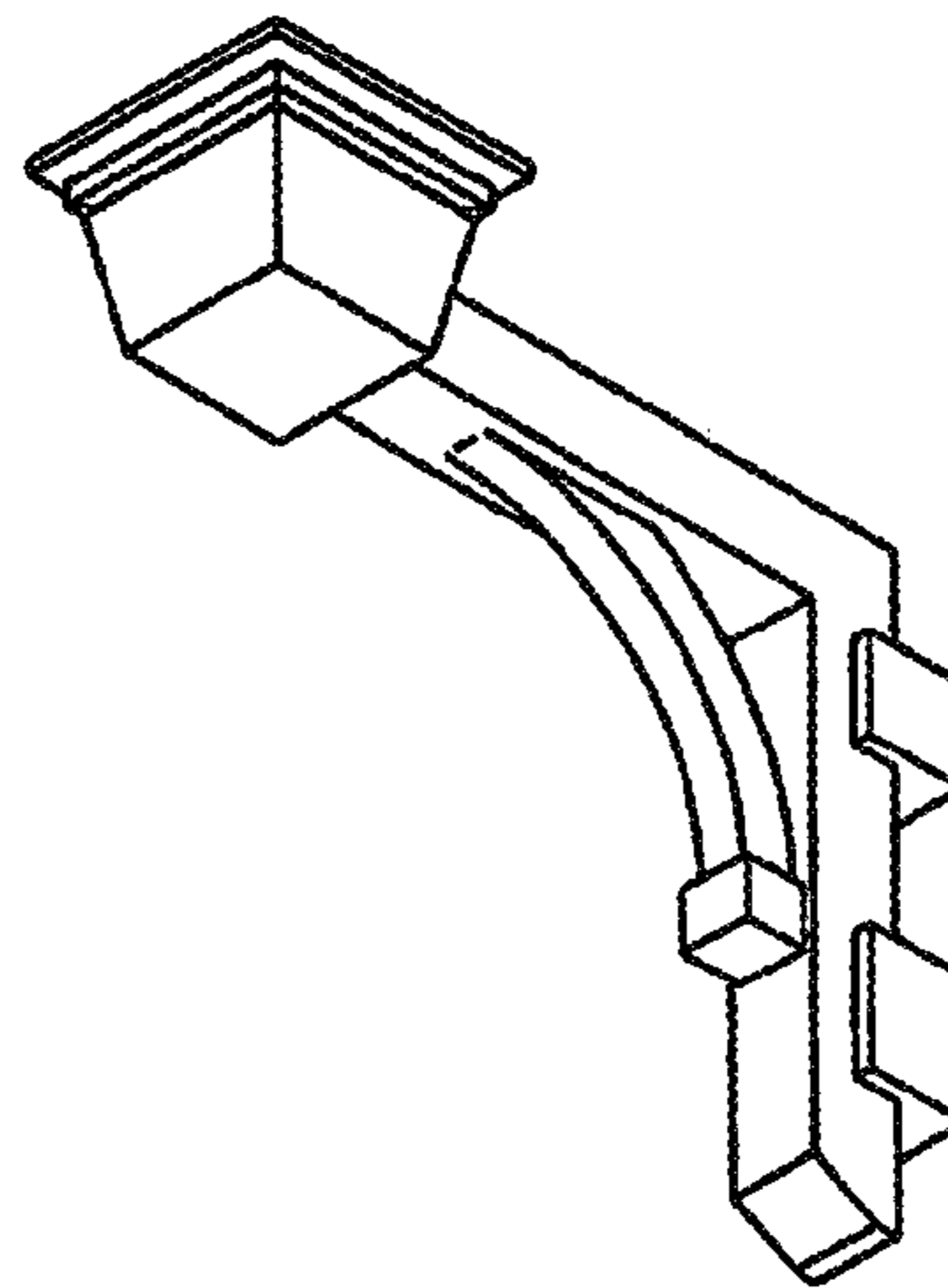


FIG. 6