



US00D707881S

(12) **United States Design Patent**  
**Zhou et al.**

(10) **Patent No.:** **US D707,881 S**  
(45) **Date of Patent:** **\*\* Jun. 24, 2014**

(54) **DOCKING STATION FOR INSPECTION LAMP**

D10/114.1; D11/121, 125, 144, 145;  
428/11; 257/96, 97, 98, 99

See application file for complete search history.

(75) Inventors: **Cheng Zhou**, Shanghai (CN); **Jin Cheryl Kwon**, Hong Kong (HK)

(56) **References Cited**

(73) Assignee: **Koninklijke Philips N.V.**, Eindhoven (NL)

U.S. PATENT DOCUMENTS

(\*\*) Term: **14 Years**

(21) Appl. No.: **29/410,090**

D291,016	S	*	7/1987	Babros et al.	.....	D32/73
D300,214	S	*	3/1989	Adams	.....	D13/108
D300,678	S	*	4/1989	Barrault	.....	D32/73
D418,108	S	*	12/1999	Snider	.....	D13/108
D517,478	S	*	3/2006	Bayat et al.	.....	D13/108
D554,108	S	*	10/2007	Solland	.....	D14/217
D608,277	S	*	1/2010	Cano et al.	.....	D13/108
D627,718	S	*	11/2010	Houghton	.....	D13/108
D634,303	S	*	3/2011	Beedham	.....	D14/217

(22) Filed: **Jan. 4, 2012**

(30) **Foreign Application Priority Data**

\* cited by examiner

Jul. 4, 2011 (EM) ..... 001886698-0004

*Primary Examiner* — Zenia Bennett

(51) **LOC (10) Cl.** ..... **26-99**

(52) **U.S. Cl.**  
USPC ..... **D26/138**

(57) **CLAIM**

(58) **Field of Classification Search**

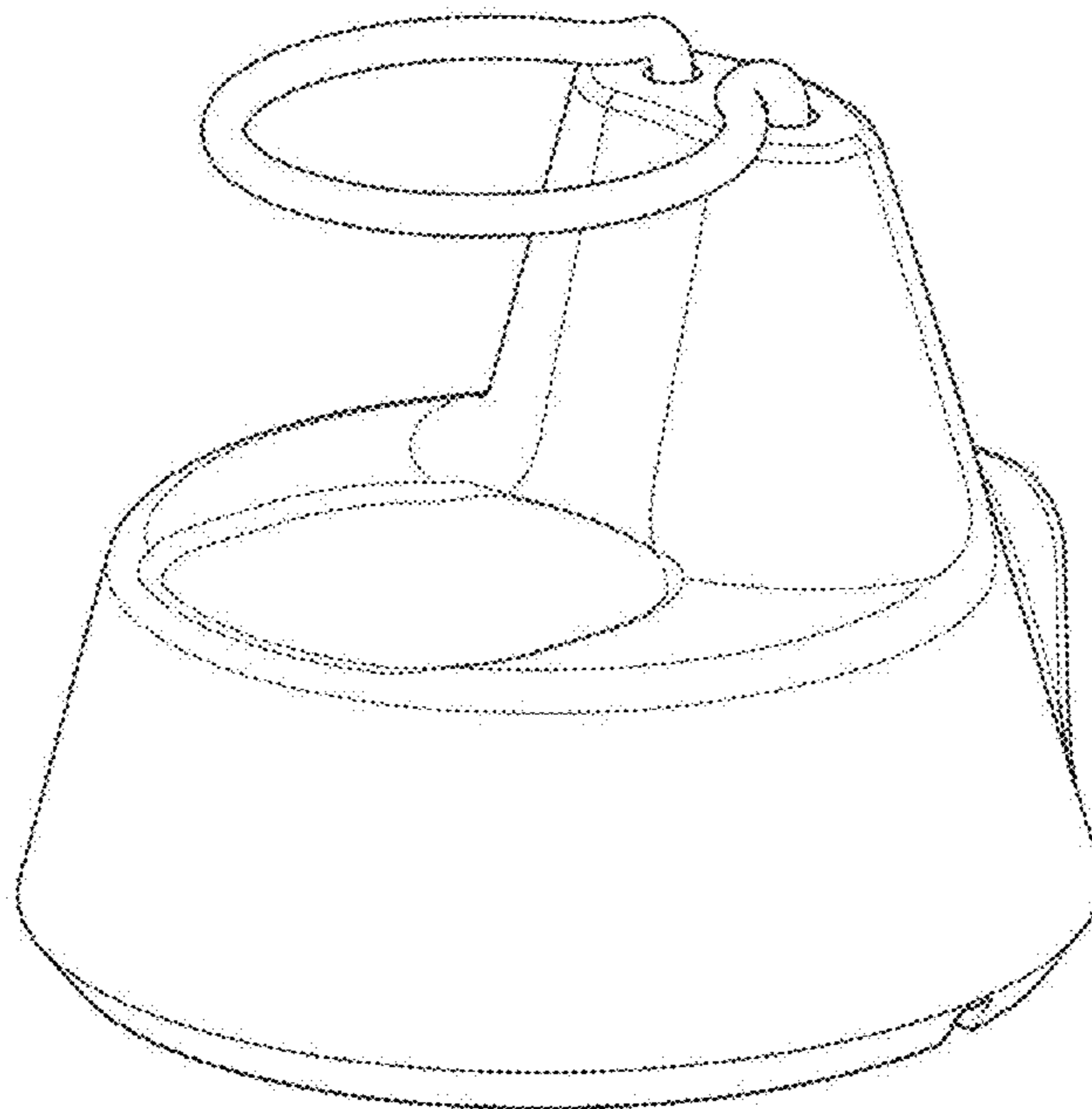
The ornamental design for a docking station for inspection lamp, as shown and described.

USPC ..... D26/25, 26, 28, 31, 35, 36, 37, 41, 42,  
D26/50, 51, 52, 64, 66, 67, 73, 75, 78, 85,  
D26/88, 89, 90, 103-106, 109, 110, 119,  
D26/123, 125, 129, 131, 135, 136, 138, 140,  
D26/143, 144; D13/179, 180; 362/92, 130,  
362/132, 133, 183, 184, 190, 205, 216,  
362/217.05, 218, 220, 223, 224, 241, 247,  
362/249.03, 249.05-249.1, 249.11, 258,  
362/260, 285, 287, 294.02, 297, 327, 345,  
362/354, 373-379, 410, 418, 419, 510, 516,  
362/558, 561; 248/339, 557, 558; D8/354,  
D8/373, 377, 382; D25/60, 119, 124, 125;  
52/455; 349/59-62, 64-67, 113;  
438/15; 345/102; D12/406; D10/111,

**DESCRIPTION**

FIG. 1 is a perspective view showing my design;  
FIG. 2 is a front elevational view thereof;  
FIG. 3 is a rear elevational view thereof;  
FIG. 4 is a right side elevational view thereof;  
FIG. 5 is a left side elevational view thereof;  
FIG. 6 is a top plan view thereof; and,  
FIG. 7 is a bottom plan view thereof.  
The broken lines shown are included for the purpose of illustrating the unclaimed portions of the docking station for inspection lamp and form no part of the claimed design.

**1 Claim, 7 Drawing Sheets**



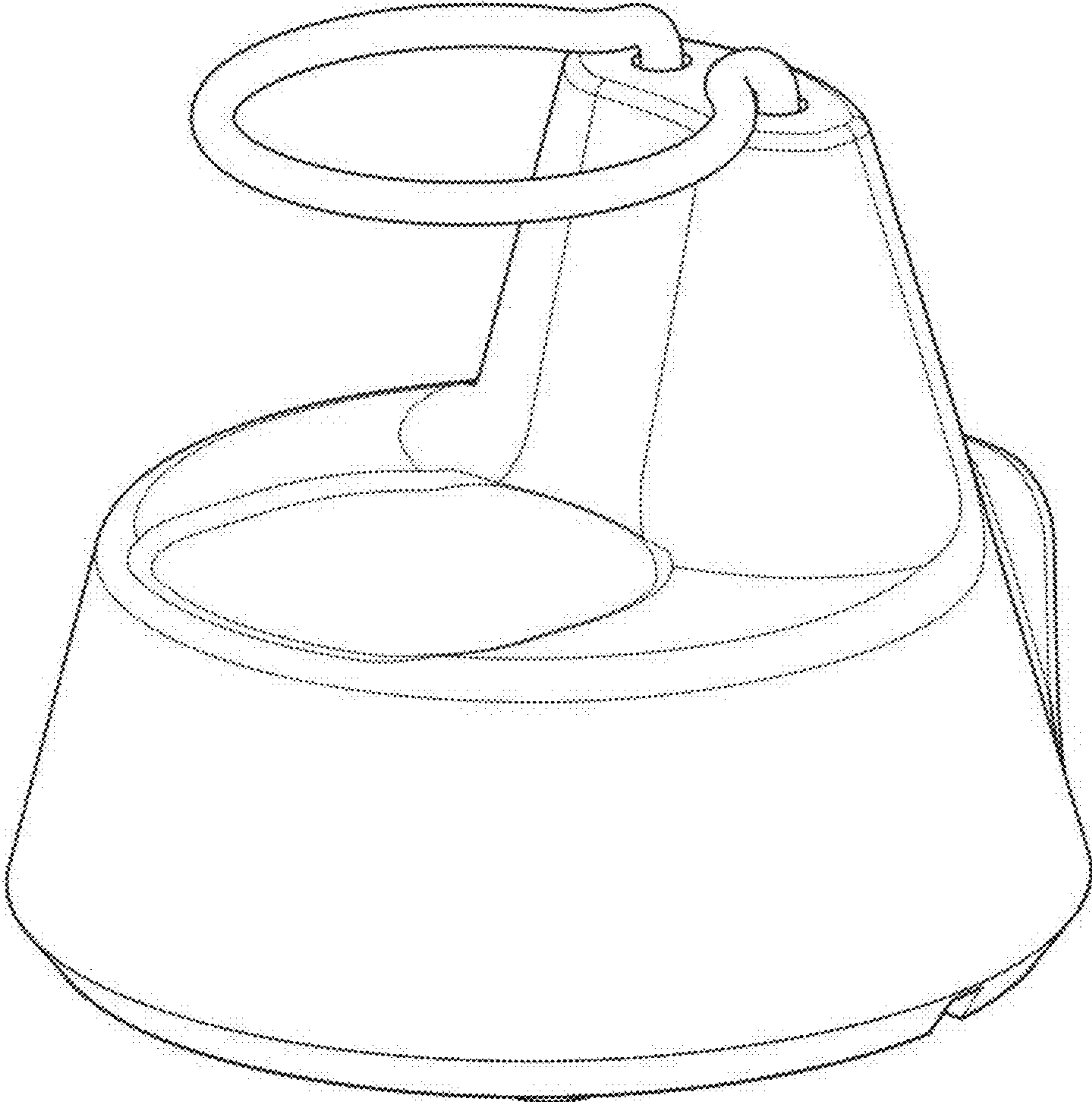


FIG. 1

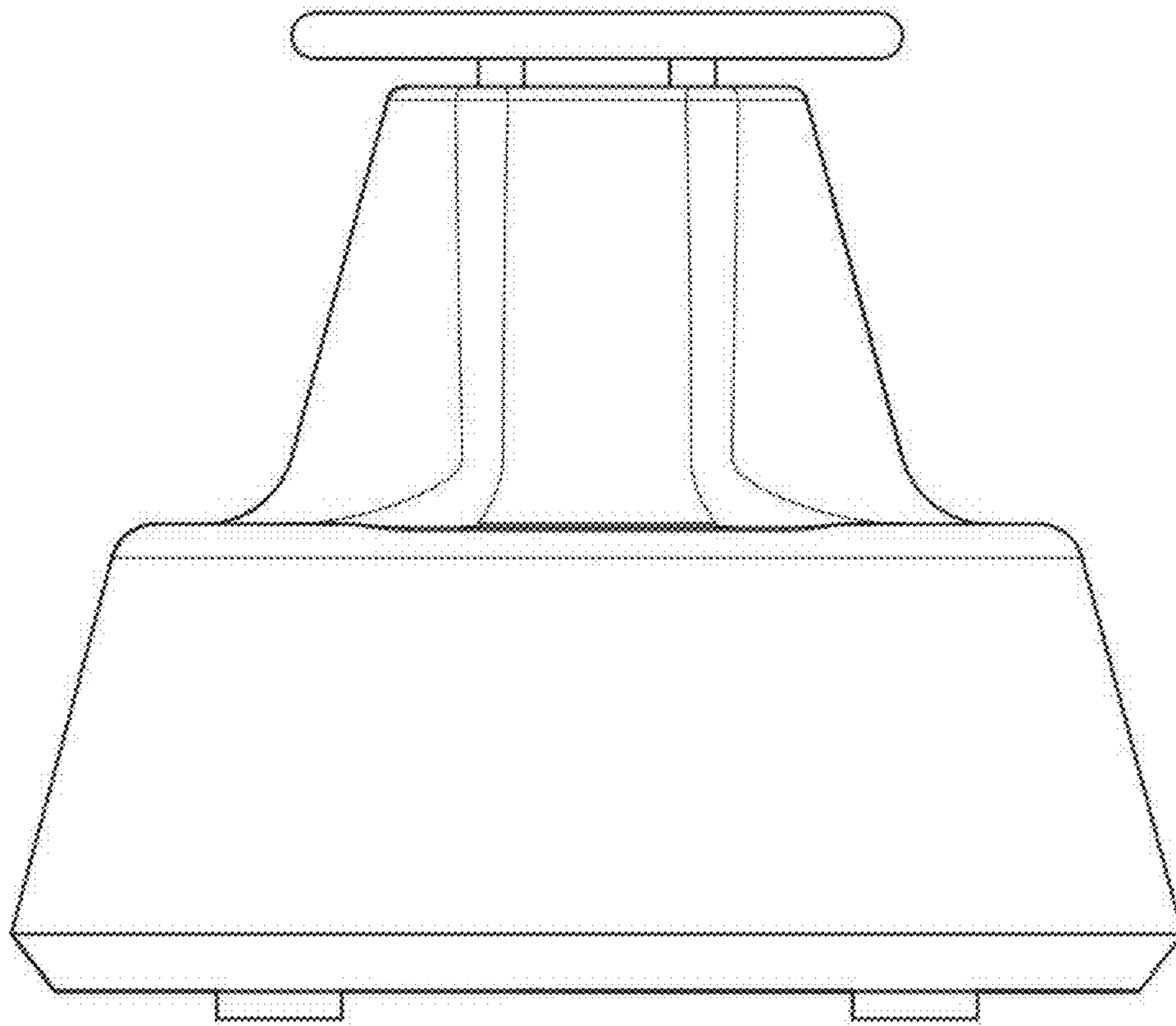


FIG. 2

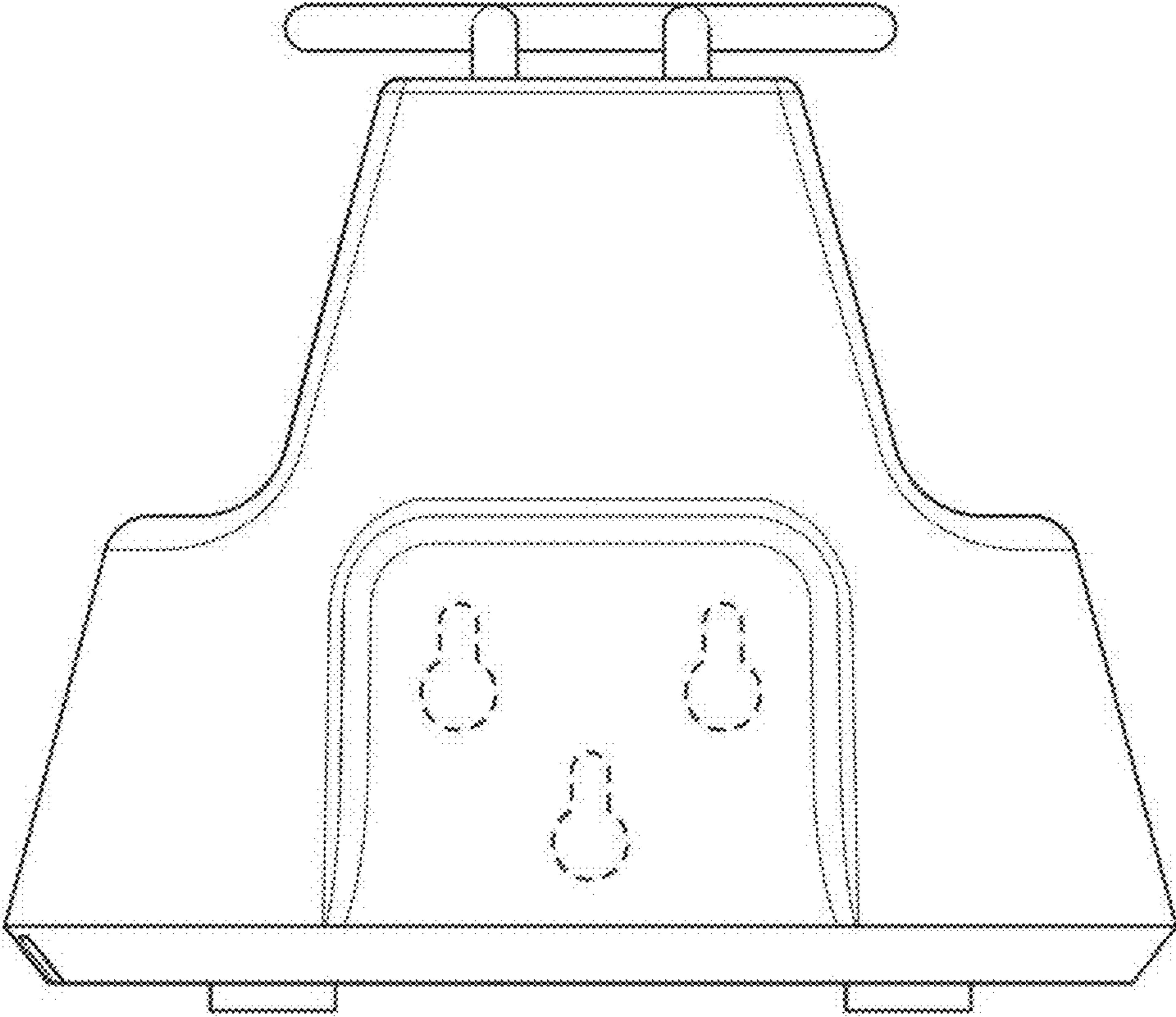


FIG. 3

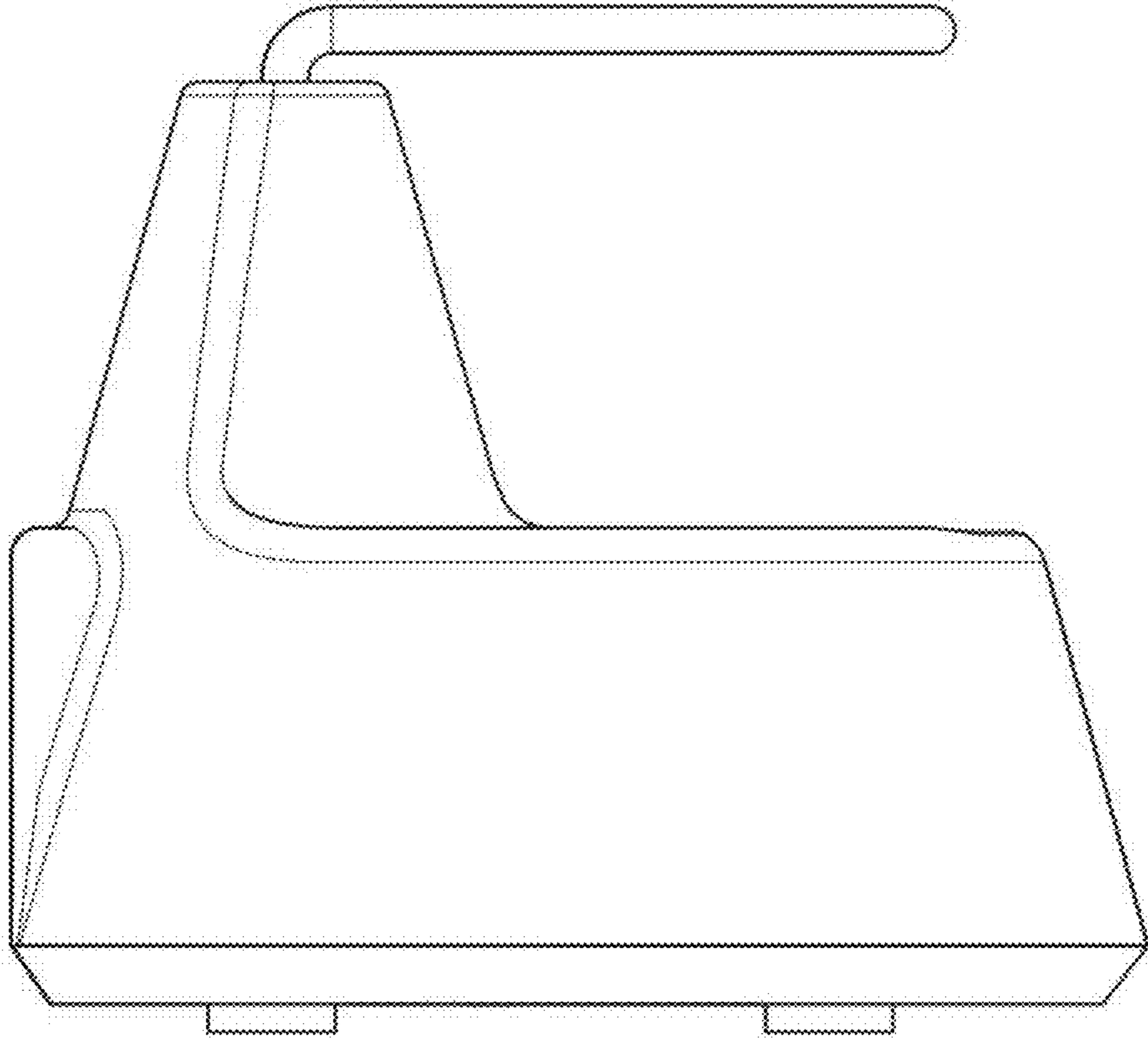


FIG. 4



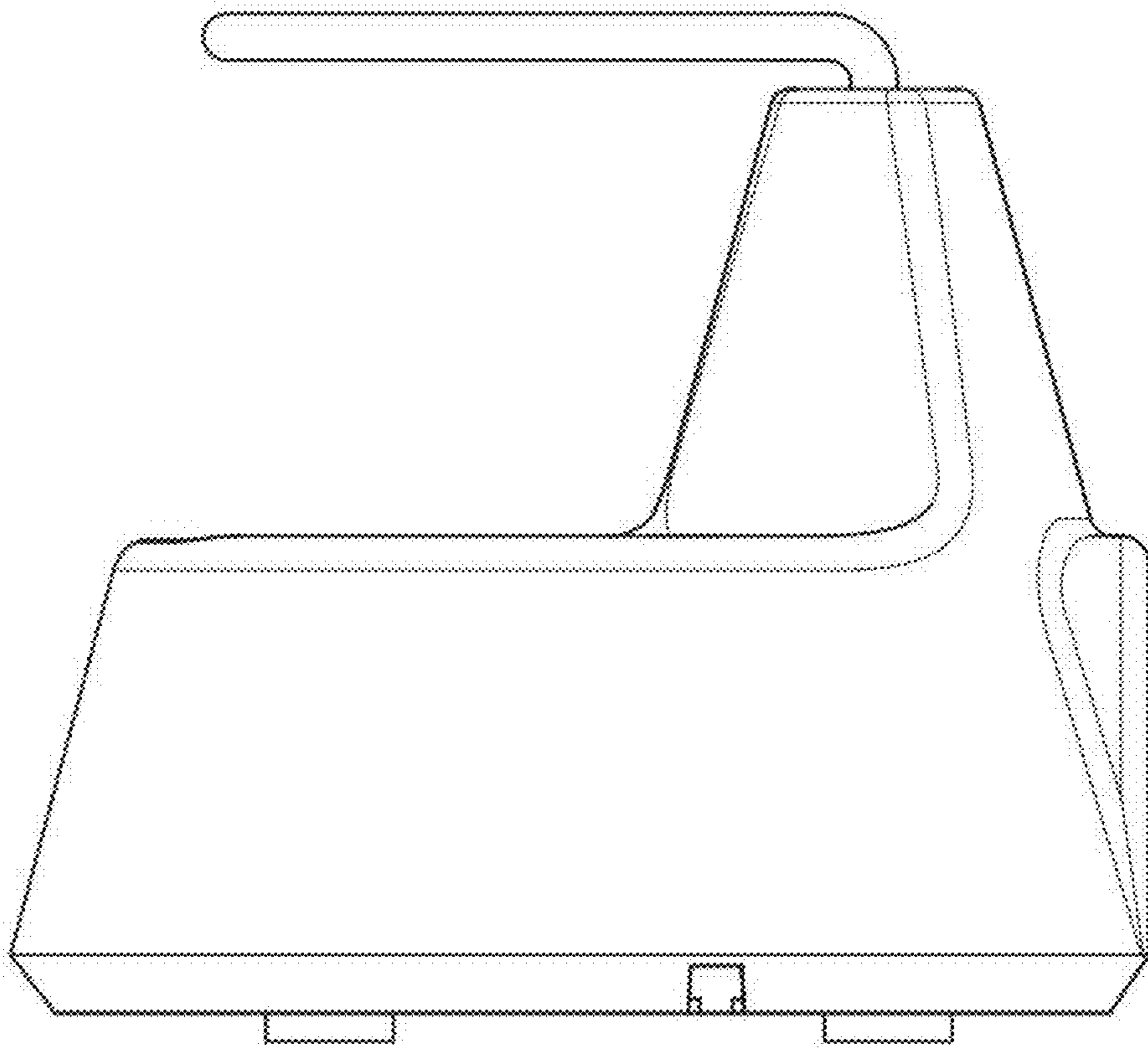


FIG. 5

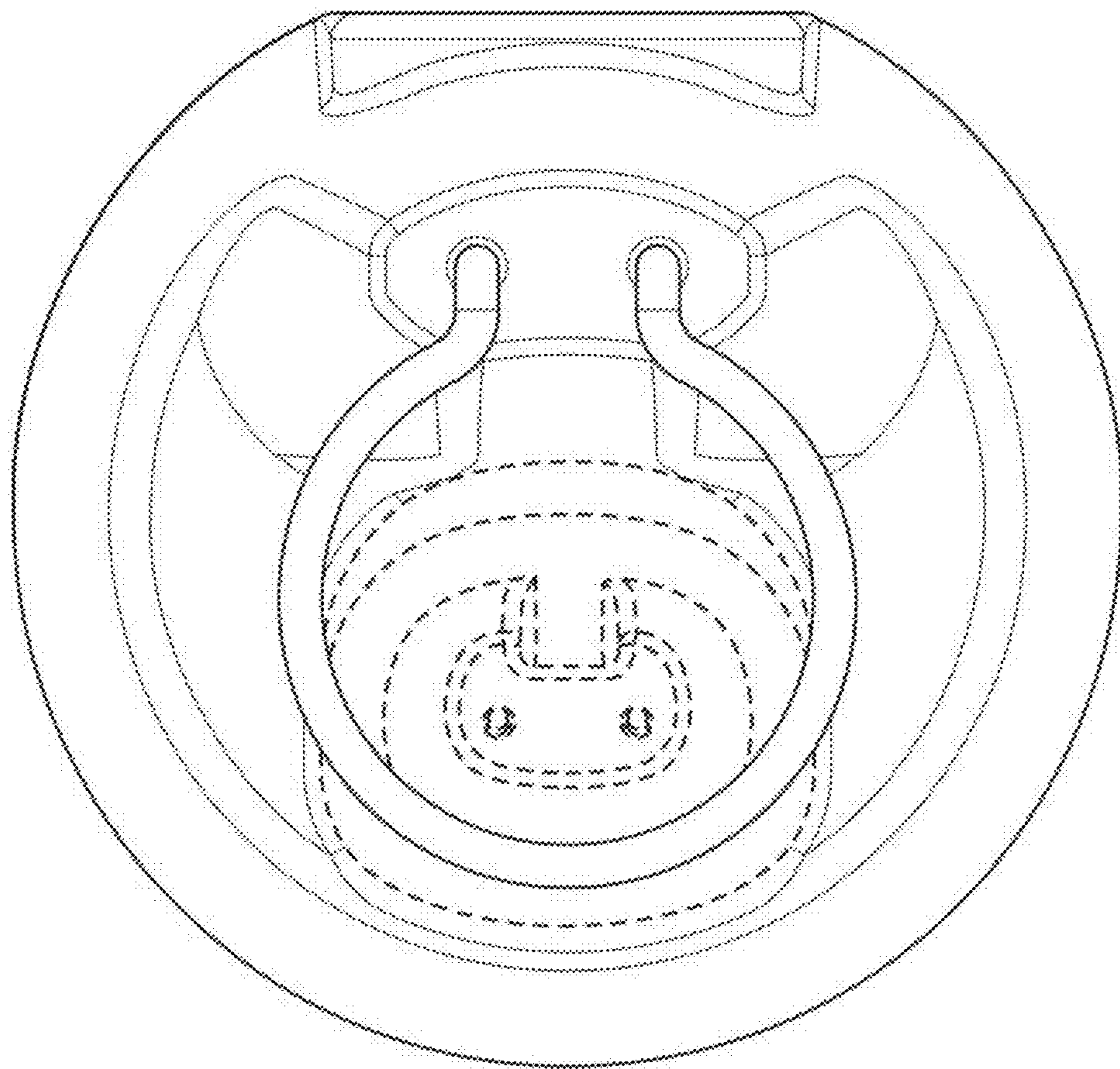


FIG. 6

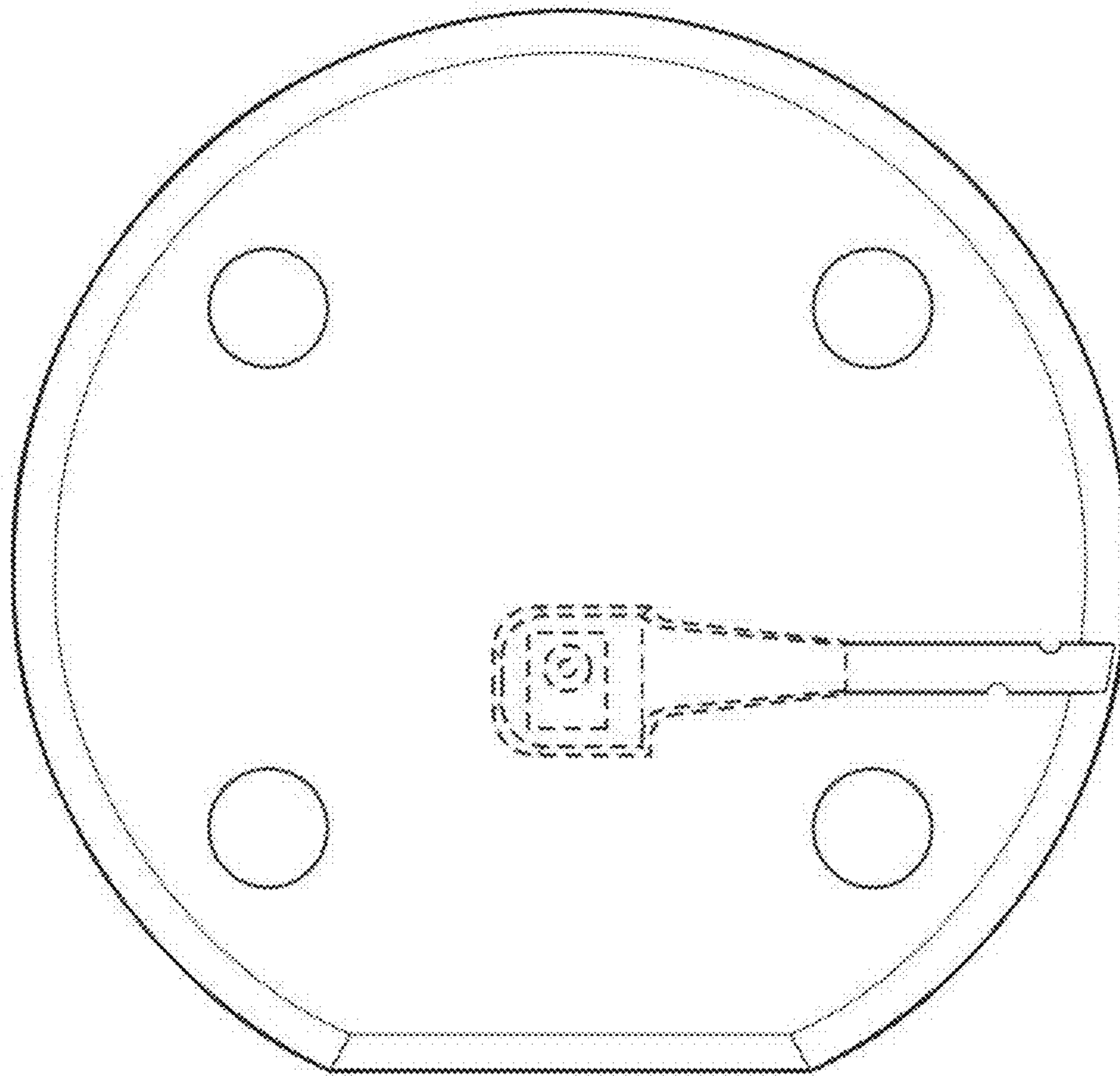


FIG. 7