



US00D707880S

(12) **United States Design Patent**  
**Magnusson**

(10) **Patent No.:** **US D707,880 S**  
(45) **Date of Patent:** **\*\* Jun. 24, 2014**

(54) **LIGHT FIXTURE**

(71) Applicant: **Cherry Man Industries, Inc.**, Carson, CA (US)

(72) Inventor: **Carl G. Magnusson**, Los Angeles, CA (US)

(73) Assignee: **Cherry Man Industries, Inc.**, Carson, CA (US)

(\*\*) Term: **14 Years**

(21) Appl. No.: **29/469,188**

(22) Filed: **Oct. 8, 2013**

(51) **LOC (10) Cl.** ..... **26-99**

(52) **U.S. Cl.**  
USPC ..... **D26/120**

(58) **Field of Classification Search**  
USPC ..... D26/122, 118, 2, 28, 142, 123, 124, D26/125, 35, 116, 113, 74, 75, 5, 6, 67, 68, D26/69, 72, 86, 63, 61, 39, 135, 65, 120, D26/121, 126, 128, 89, 76, 132, 134, 119, D26/114; 362/290, 223, 346, 240, 298, 362/249.02, 247, 347, 179, 147, 150, 149; D13/179, 180; D10/114.4, 114.2, 111; 431/111, 104, 344, 109  
See application file for complete search history.

(56) **References Cited**

**U.S. PATENT DOCUMENTS**

D191,628 S \* 10/1961 Muller ..... D26/76  
D192,878 S \* 5/1962 Muller ..... D26/76  
D308,259 S \* 5/1990 Burkarth ..... D26/78  
D329,715 S \* 9/1992 Dieperink ..... D26/76

D393,734 S \* 4/1998 Casteel ..... D26/76  
D428,508 S \* 7/2000 Irvine ..... D26/76  
D493,244 S \* 7/2004 Engel ..... D26/76  
D496,746 S \* 9/2004 Herst et al. .... D26/76  
D496,747 S \* 9/2004 Herst et al. .... D26/76  
D570,026 S \* 5/2008 Waldmann ..... D26/76  
D599,945 S \* 9/2009 Pfund ..... D26/76  
D617,489 S \* 6/2010 Santoro ..... D26/76  
D626,268 S \* 10/2010 Santoro ..... D26/76  
D645,192 S \* 9/2011 Chung et al. .... D26/75  
D645,194 S \* 9/2011 Budike et al. .... D26/76  
D650,509 S \* 12/2011 Wegger et al. .... D26/90  
D662,643 S \* 6/2012 Takahashi et al. .... D26/76  
D680,679 S \* 4/2013 Kim et al. .... D26/118  
D681,265 S \* 4/2013 Kim et al. .... D26/141

\* cited by examiner

*Primary Examiner* — Kevin Rudzinski

(74) *Attorney, Agent, or Firm* — Christie, Parker & Hale, LLP

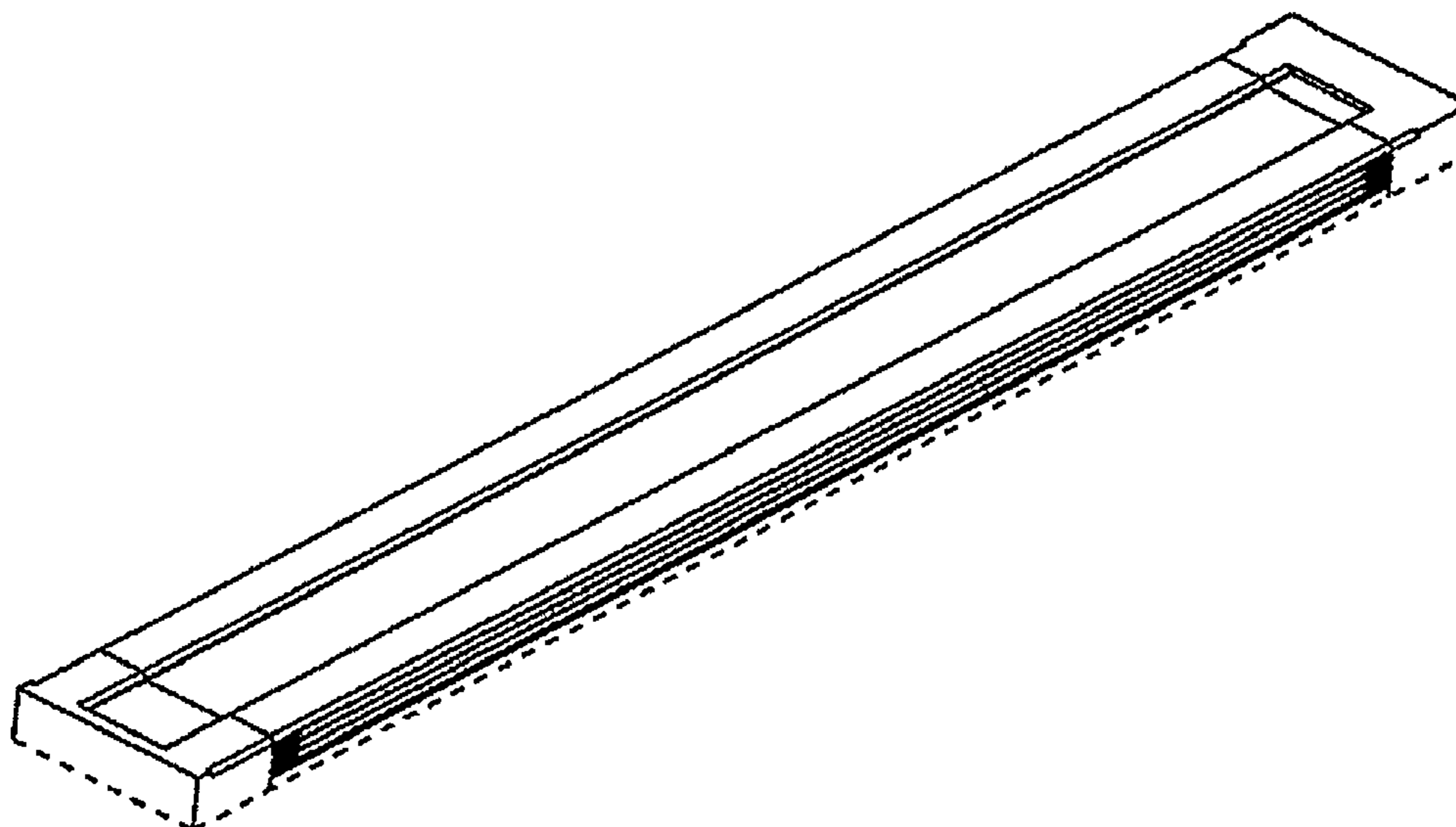
(57) **CLAIM**

The ornamental design for a light fixture, as shown and described.

**DESCRIPTION**

FIG. 1 is a front view of a light fixture according to the design; FIG. 2 is a top view of the design, the bottom view being a mirror image; FIG. 3 is a right side view of the design, the left side view being a mirror image; FIG. 4 is a rear view of the design; FIG. 5 is a front perspective view of the design; and, FIG. 6 is a rear perspective view of the design. The broken lines in the drawings illustrate portions of the light fixture and form no part of the claimed design.

**1 Claim, 2 Drawing Sheets**



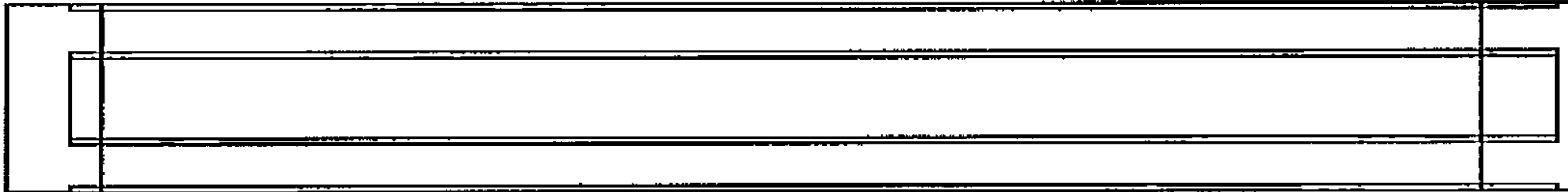


Fig. 1

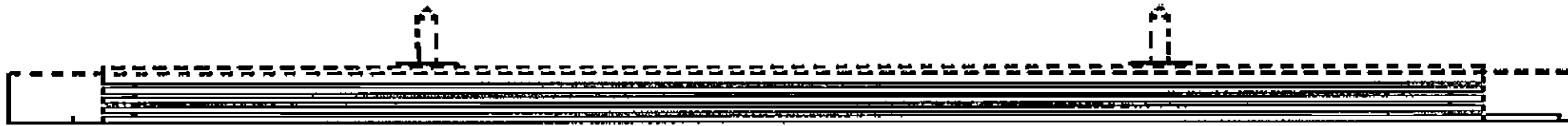


Fig. 2

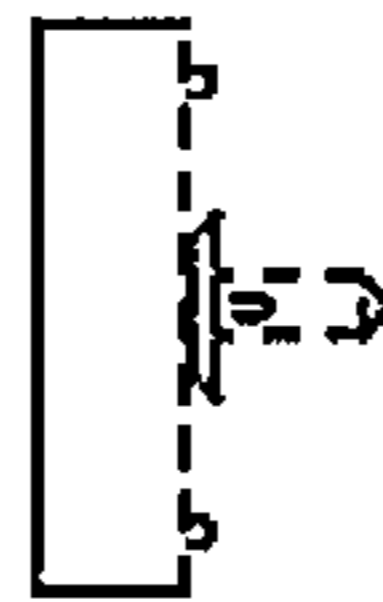


Fig. 3

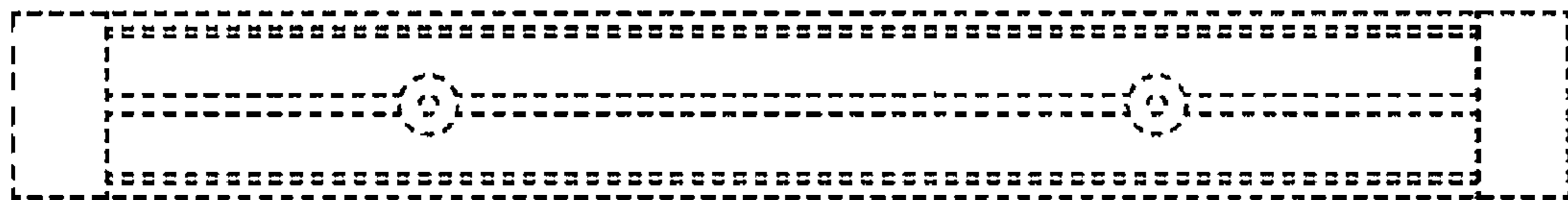


Fig. 4

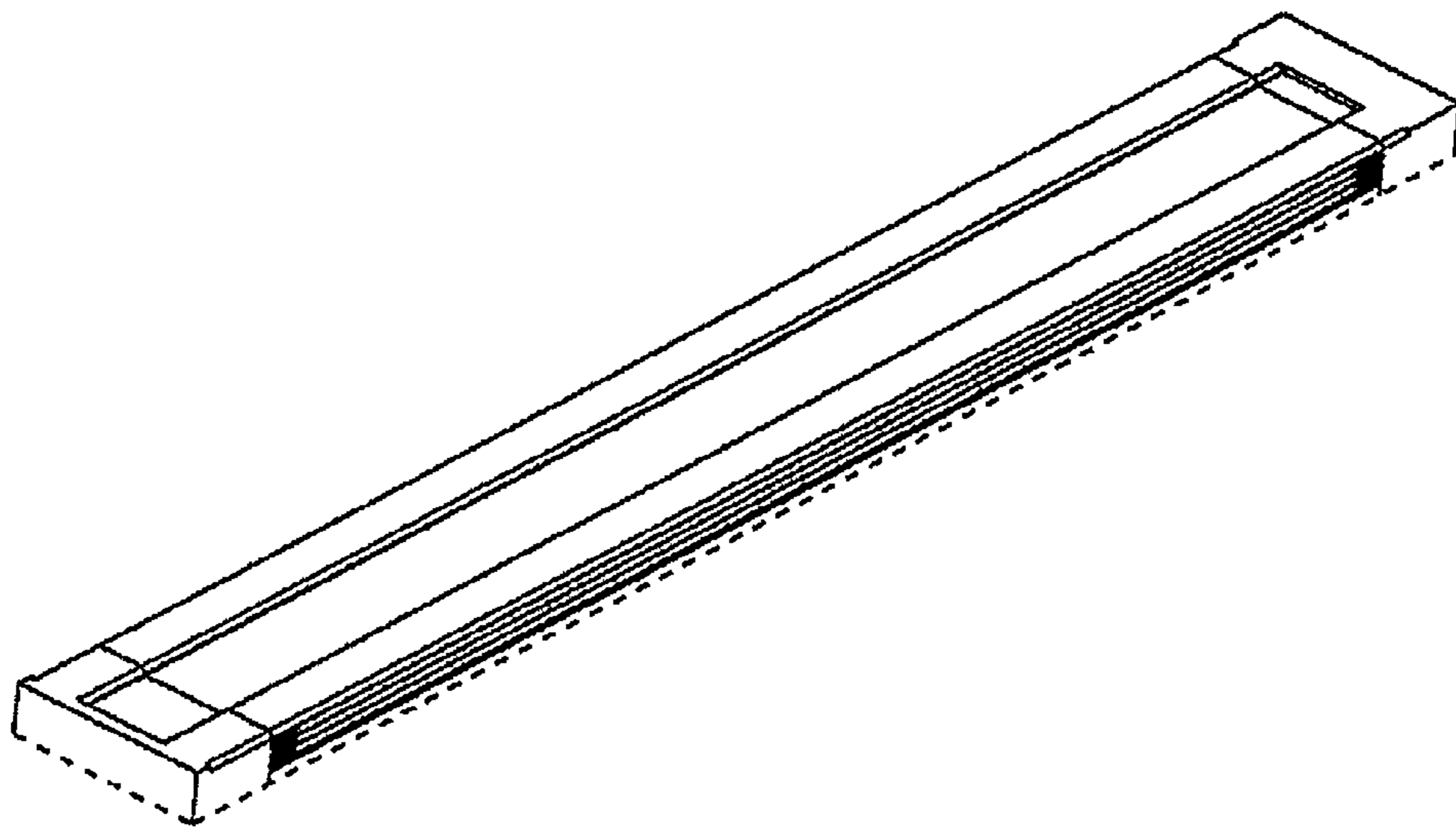


Fig. 5

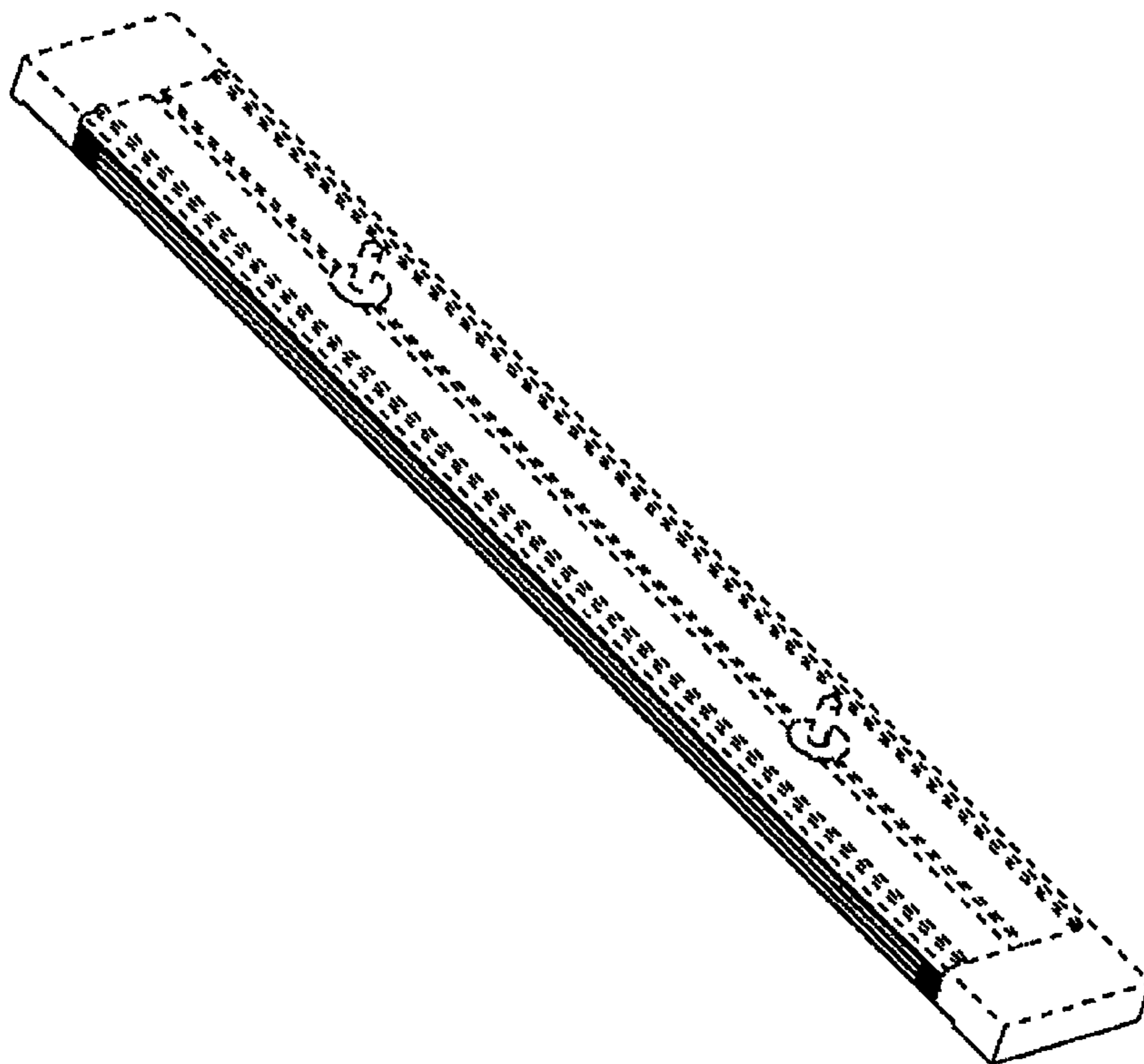


Fig. 6