



US00D707878S

(12) **United States Design Patent**  
**Lindholm et al.**

(10) **Patent No.:** **US D707,878 S**

(45) **Date of Patent:** **\*\* Jun. 24, 2014**

(54) **LED LIGHT**

(71) Applicants: **Janne Lindholm**, Jakobstad (FI); **Jari Korpi**, Jakobstad (FI); **Mikael Heikkilä**, Jakobstad (FI)

(72) Inventors: **Janne Lindholm**, Jakobstad (FI); **Jari Korpi**, Jakobstad (FI); **Mikael Heikkilä**, Jakobstad (FI)

(73) Assignee: **Herrmans Oy AB**, Pietarsaari (FI)

(\*\*) Term: **14 Years**

(21) Appl. No.: **29/477,040**

(22) Filed: **Dec. 19, 2013**

(30) **Foreign Application Priority Data**

Sep. 5, 2013 (EM) ..... 002303370

(51) **LOC (10) Cl.** ..... **26-99**

(52) **U.S. Cl.**  
USPC ..... **D26/118**

(58) **Field of Classification Search**  
USPC ..... D26/63, 120, 118, 113, 119, 121, 122, D26/123, 65, 66, 68, 124, 125, 72, 76, 1, 2, D26/128, 69, 74, 88, 89, 87, 61, 92, 98, 93, D26/86; 362/158, 240, 260, 235, 249.02, 362/249.11, 294, 364, 335; D13/179, 180  
See application file for complete search history.

(56) **References Cited**

U.S. PATENT DOCUMENTS

D456,091	S	*	4/2002	Rahn	.....	D26/63
D574,978	S	*	8/2008	Hyodo et al.	.....	D26/28
D584,846	S	*	1/2009	Maxik et al.	.....	D26/85
D585,153	S	*	1/2009	Maxik et al.	.....	D26/85
D642,719	S	*	8/2011	Lindholm et al.	.....	D26/63
D651,735	S	*	1/2012	Dai	.....	D26/72
D661,008	S	*	5/2012	Yuan	.....	D26/74
D676,162	S	*	2/2013	Adams	.....	D26/28
D682,459	S	*	5/2013	Gordin et al.	.....	D26/74
D687,180	S	*	7/2013	Chen	.....	D26/118
2010/0259935	A1	*	10/2010	Scordino et al.	.....	362/294
2010/0315812	A1	*	12/2010	Liu	.....	362/235

\* cited by examiner

*Primary Examiner* — Kevin Rudzinski

(74) *Attorney, Agent, or Firm* — Klauber & Jackson LLC

(57) **CLAIM**

The ornamental design for an LED light, as shown and described.

**DESCRIPTION**

FIG. 1 is a perspective view showing the front, top and left side of the LED light of our new design;  
FIG. 2 is a front view thereof;  
FIG. 3 is a top view thereof;  
FIG. 4 is a left side view thereof;  
FIG. 5 is a right side view thereof;  
FIG. 6 is a rear view thereof; and,  
FIG. 7 is a perspective view showing the rear, bottom and left side thereof.

**1 Claim, 7 Drawing Sheets**

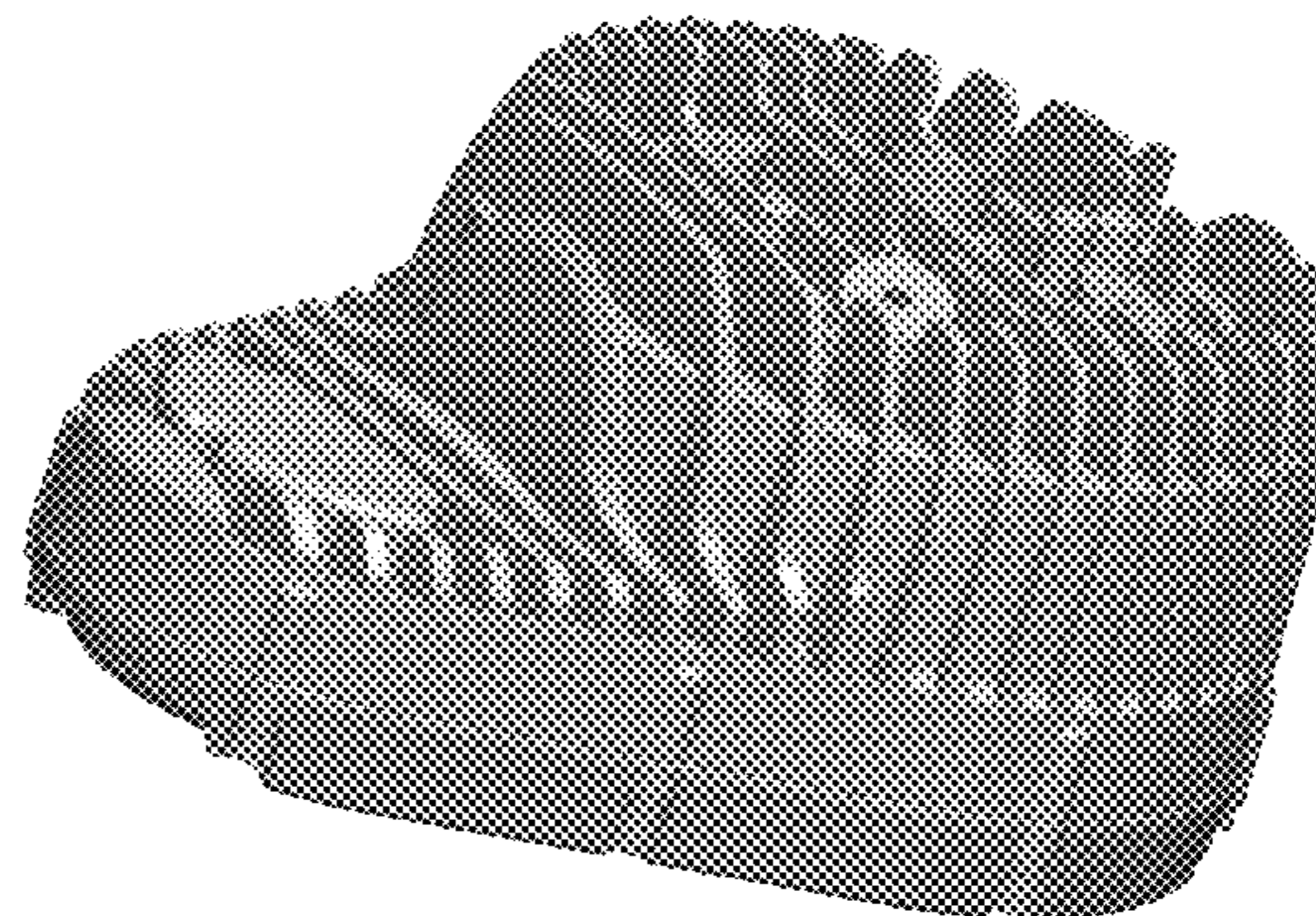
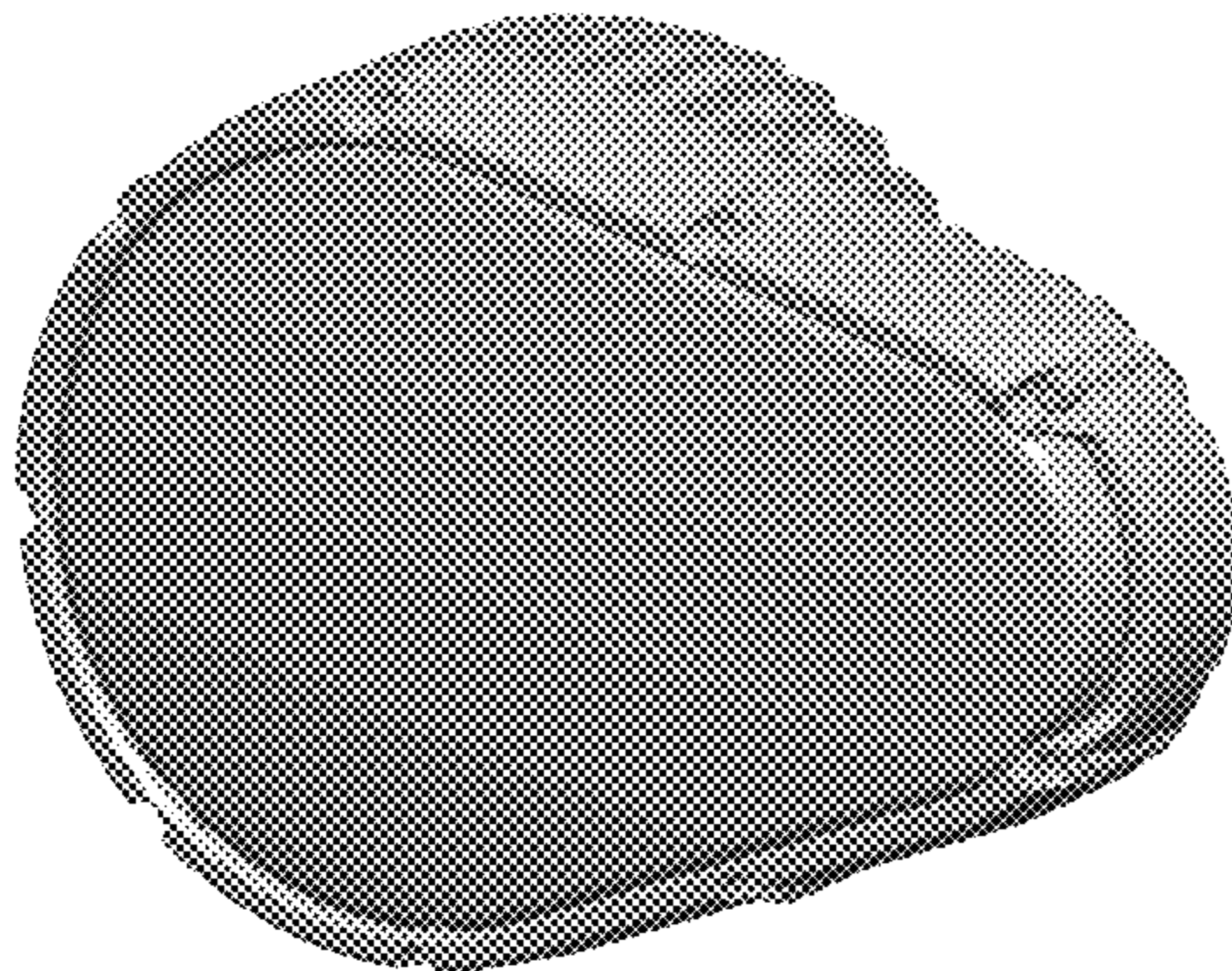


FIG. 1

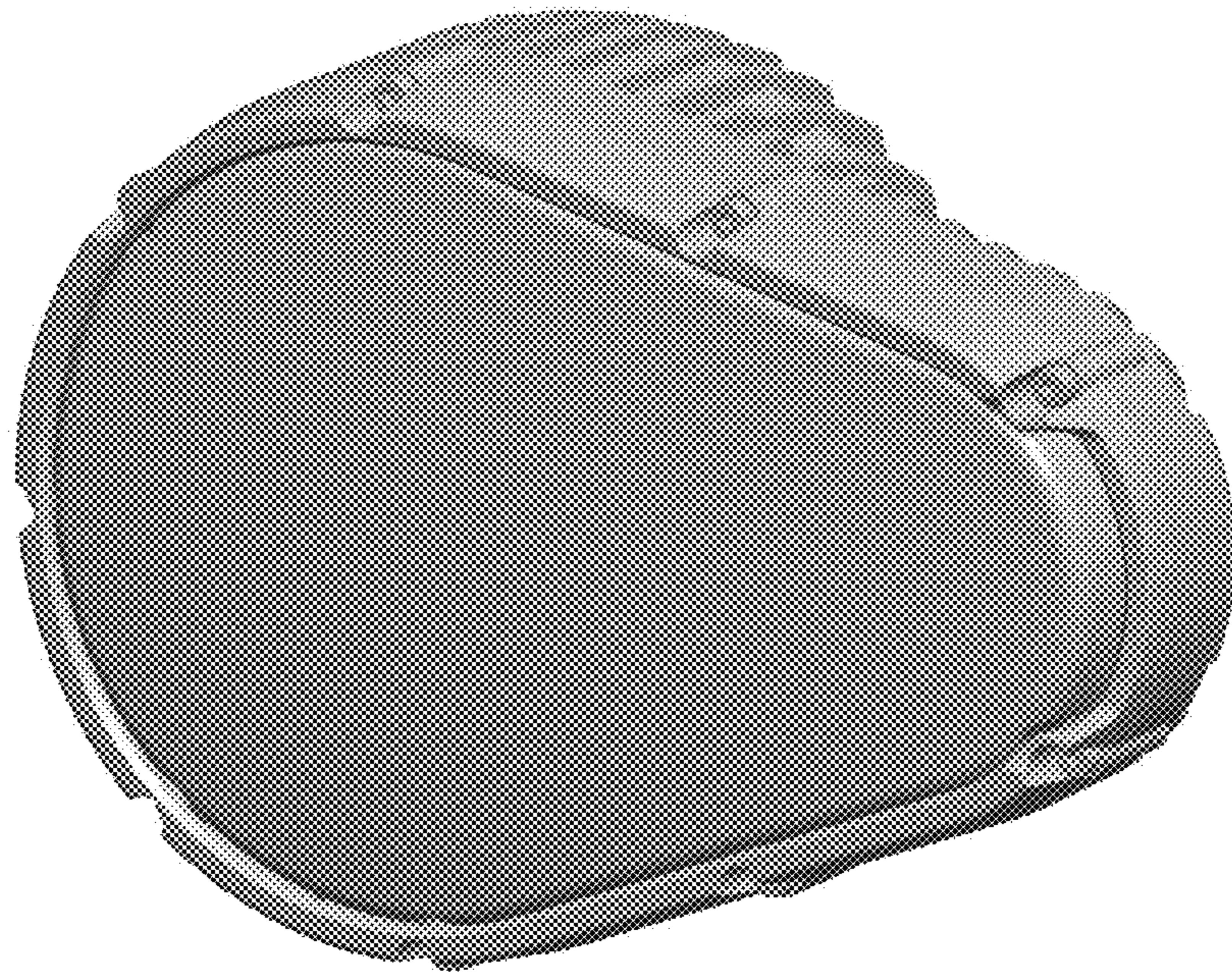


FIG. 2

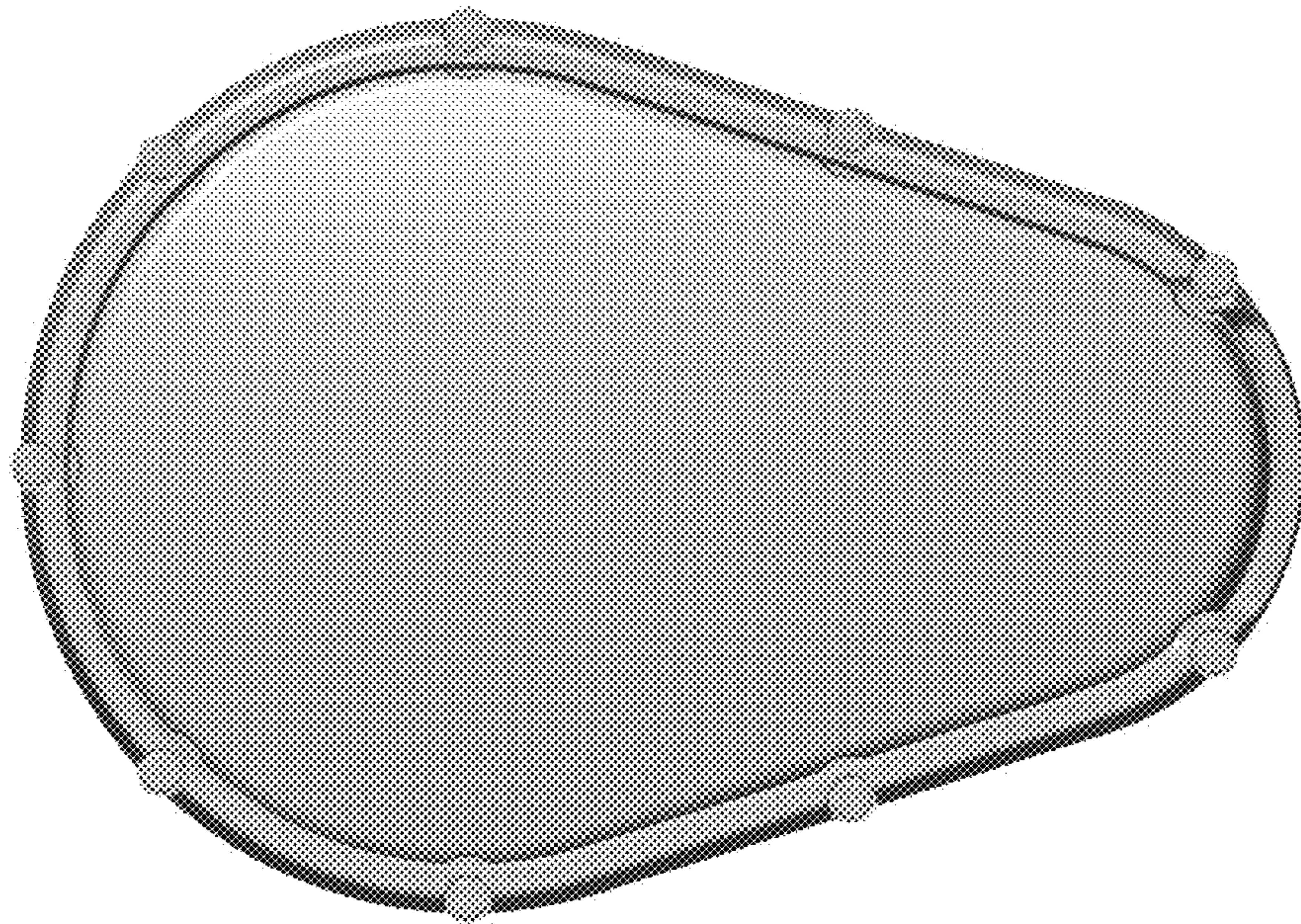
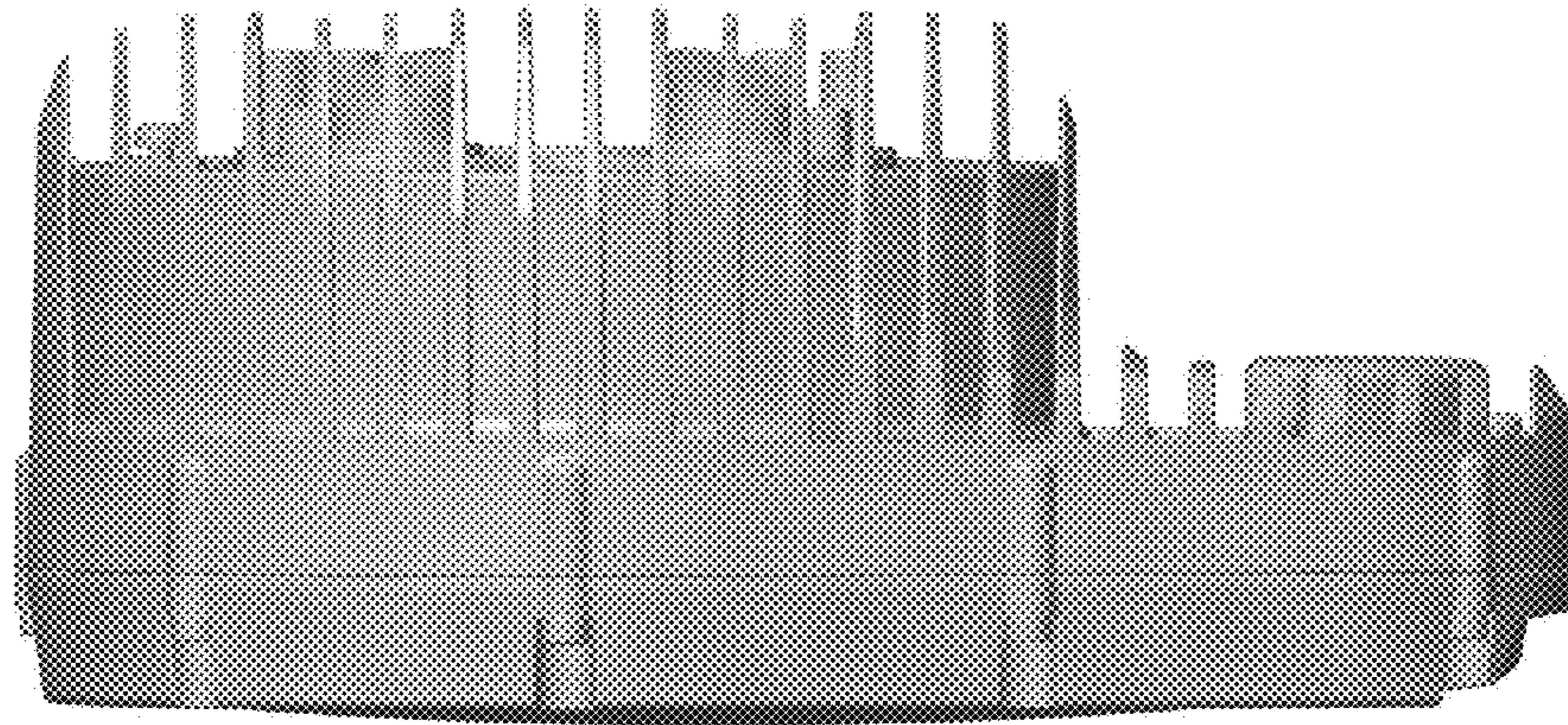
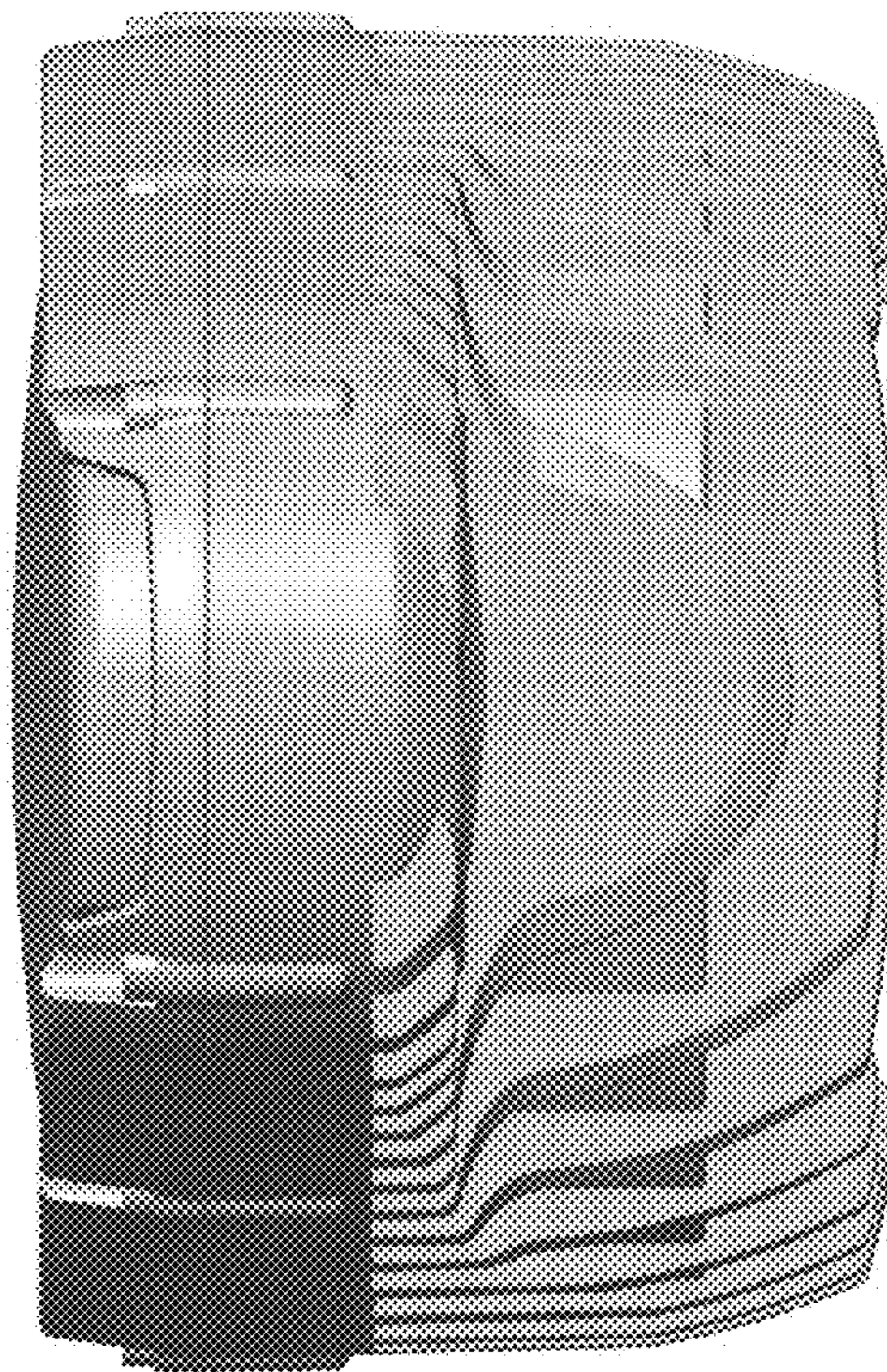


FIG. 3



**FIG. 4**



**FIG. 5**

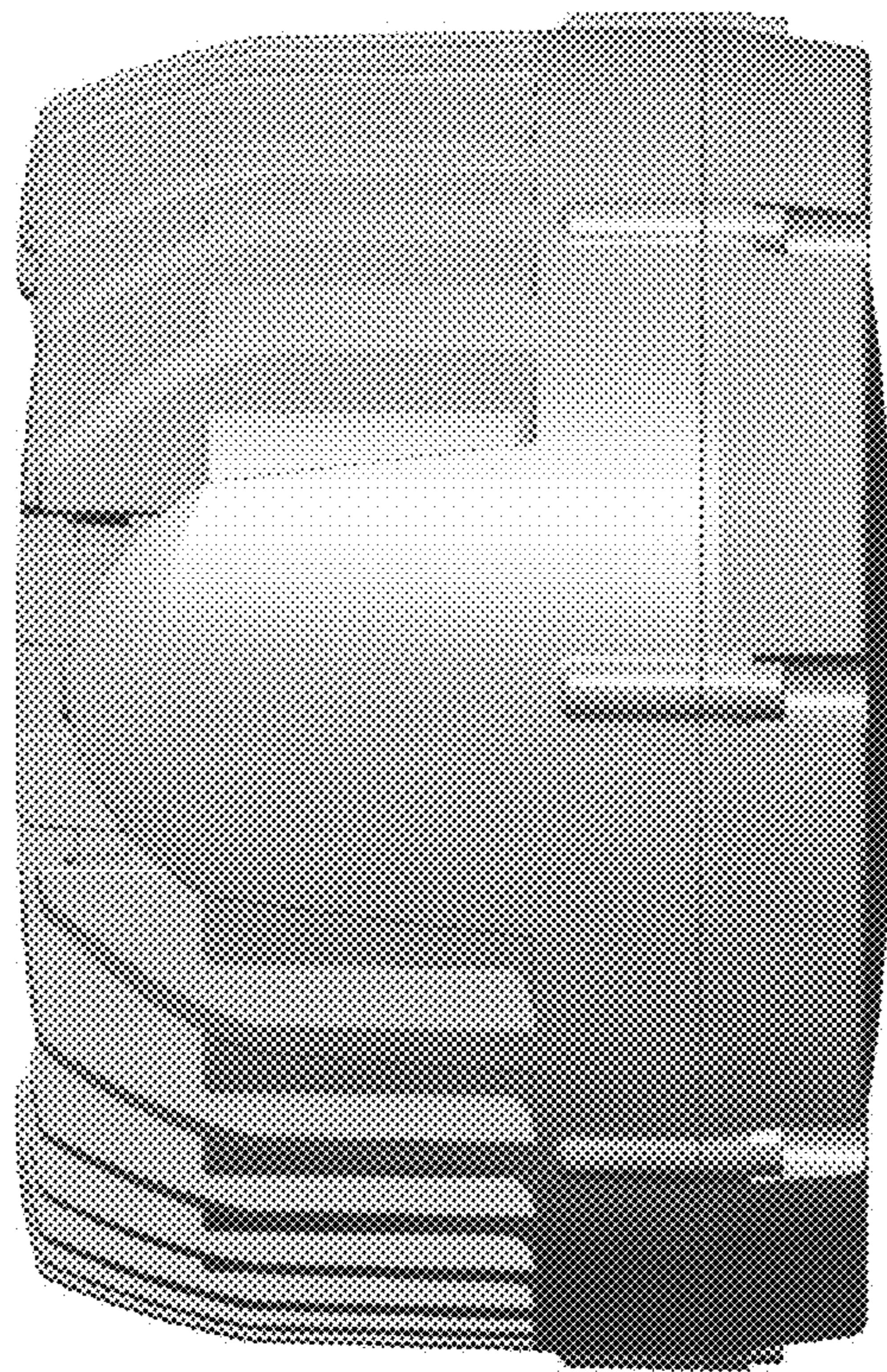


FIG. 6

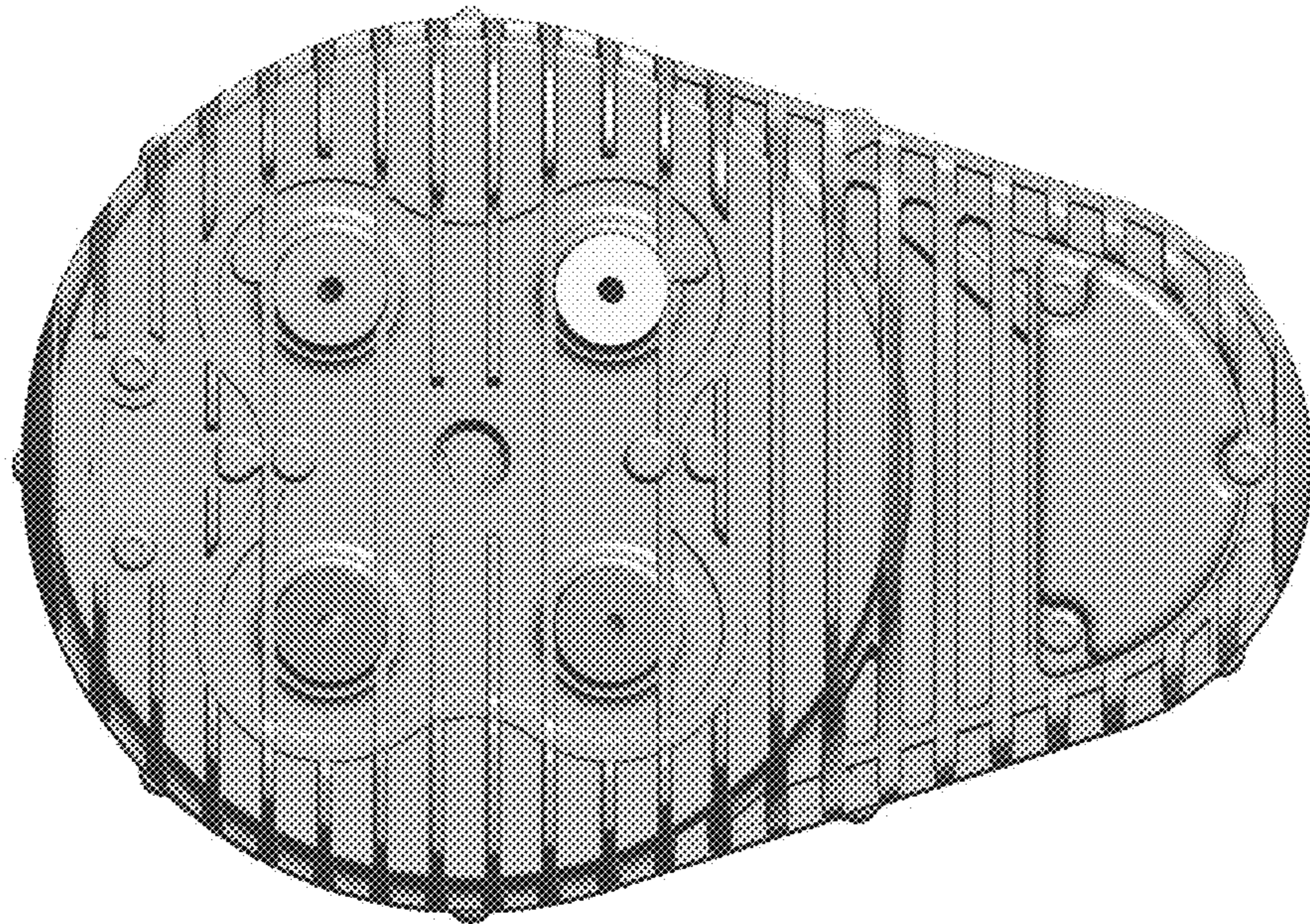


FIG. 7

