



US00D707877S

(12) **United States Design Patent**
Turner

(10) **Patent No.:** **US D707,877 S**
(45) **Date of Patent:** **** Jun. 24, 2014**

(54) **TALL MOUNT SCREEN**

(71) Applicant: **Robert William Turner**, Springdale, AR (US)

(72) Inventor: **Robert William Turner**, Springdale, AR (US)

(**) Term: **14 Years**

(21) Appl. No.: **29/472,438**

(22) Filed: **Nov. 12, 2013**

(51) **LOC (10) Cl.** **26-99**

(52) **U.S. Cl.**
USPC **D26/118**

(58) **Field of Classification Search**
USPC D26/122, 118, 2, 28, 142, 123, 124, 35, D26/116, 113, 74, 75, 5, 6, 67, 68, 69, 72, D26/86, 63, 61, 39, 135, 65, 120, 121, 125, D26/126, 128, 89, 76, 132, 134, 119; 362/290, 223, 346, 240, 298, 249.02, 362/247, 347, 179, 147, 150; D10/114.4, D10/11.2, 111; 431/111, 104, 344, 109; D13/179, 180
See application file for complete search history.

(56) **References Cited**

U.S. PATENT DOCUMENTS

3,116,023	A	12/1963	Van Dusen, Jr. et al.	
3,666,040	A	5/1972	Junk	
4,794,502	A	12/1988	Guggemos	
5,068,772	A	11/1991	Shapiro et al.	
D331,638	S	12/1992	Vamberszky et al.	
5,264,994	A	11/1993	Choi	
D370,550	S *	6/1996	Lecluze	D26/118
5,567,041	A	10/1996	Slocum	
5,609,414	A	3/1997	Caluori	
D381,454	S *	7/1997	Lecluze	D26/118
D397,472	S	8/1998	Lecluze	

D400,292	S *	10/1998	Hoffbauer	D26/135
5,826,970	A *	10/1998	Keller et al.	362/147
6,286,980	B1	9/2001	Meyer	
D449,898	S	10/2001	Horowitz	
D472,996	S	4/2003	Horowitz	
D473,965	S	4/2003	Lecluze	
6,588,922	B1	7/2003	DeCicco	
D488,251	S	4/2004	Benghozi	
6,799,869	B1	10/2004	Beadle	
7,093,953	B1	8/2006	Dicke et al.	
7,117,641	B2	10/2006	Lee	
7,234,846	B2	6/2007	Chen	
D546,999	S *	7/2007	Rashidi	D26/118
D562,490	S *	2/2008	Rashidi	D26/74
7,331,555	B2	2/2008	St. Pierre	
D578,678	S	10/2008	Huang	
7,500,766	B1	3/2009	Reynolds	
D601,293	S *	9/2009	MacKenzie	D26/74
D601,295	S *	9/2009	Brown	D26/118
D606,696	S	12/2009	Chen et al.	
D610,291	S	2/2010	Yoshinobu et al.	
D610,292	S	2/2010	Yoshinobu et al.	
D615,239	S	5/2010	Rashidi	
D636,921	S *	4/2011	Van de Ven et al.	D26/74
D644,781	S	9/2011	Kawagoe et al.	

(Continued)

Primary Examiner — Kevin Rudzinski

(74) *Attorney, Agent, or Firm* — Stephen D. Schrantz; Schrantz Law Firm, PLLC

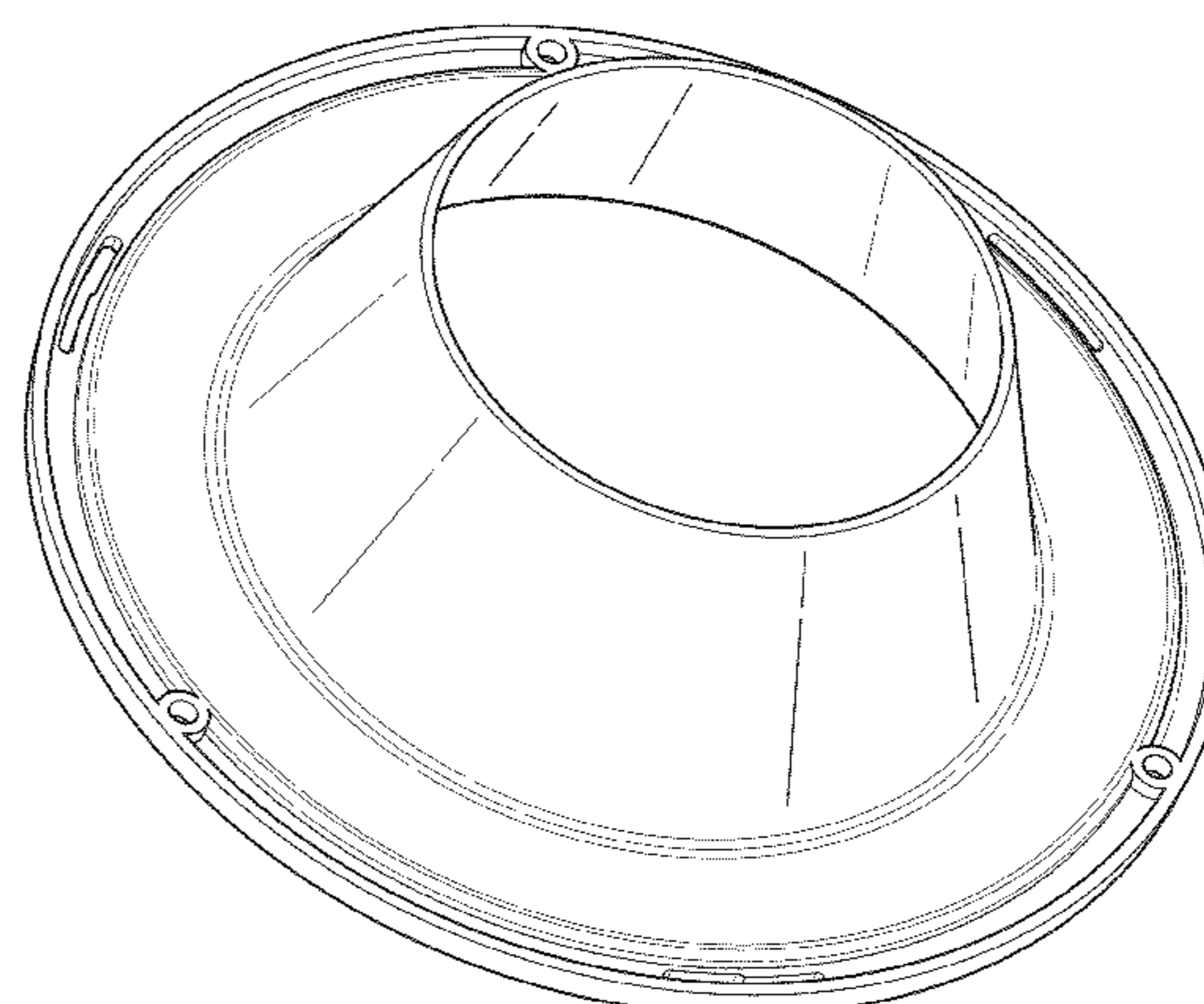
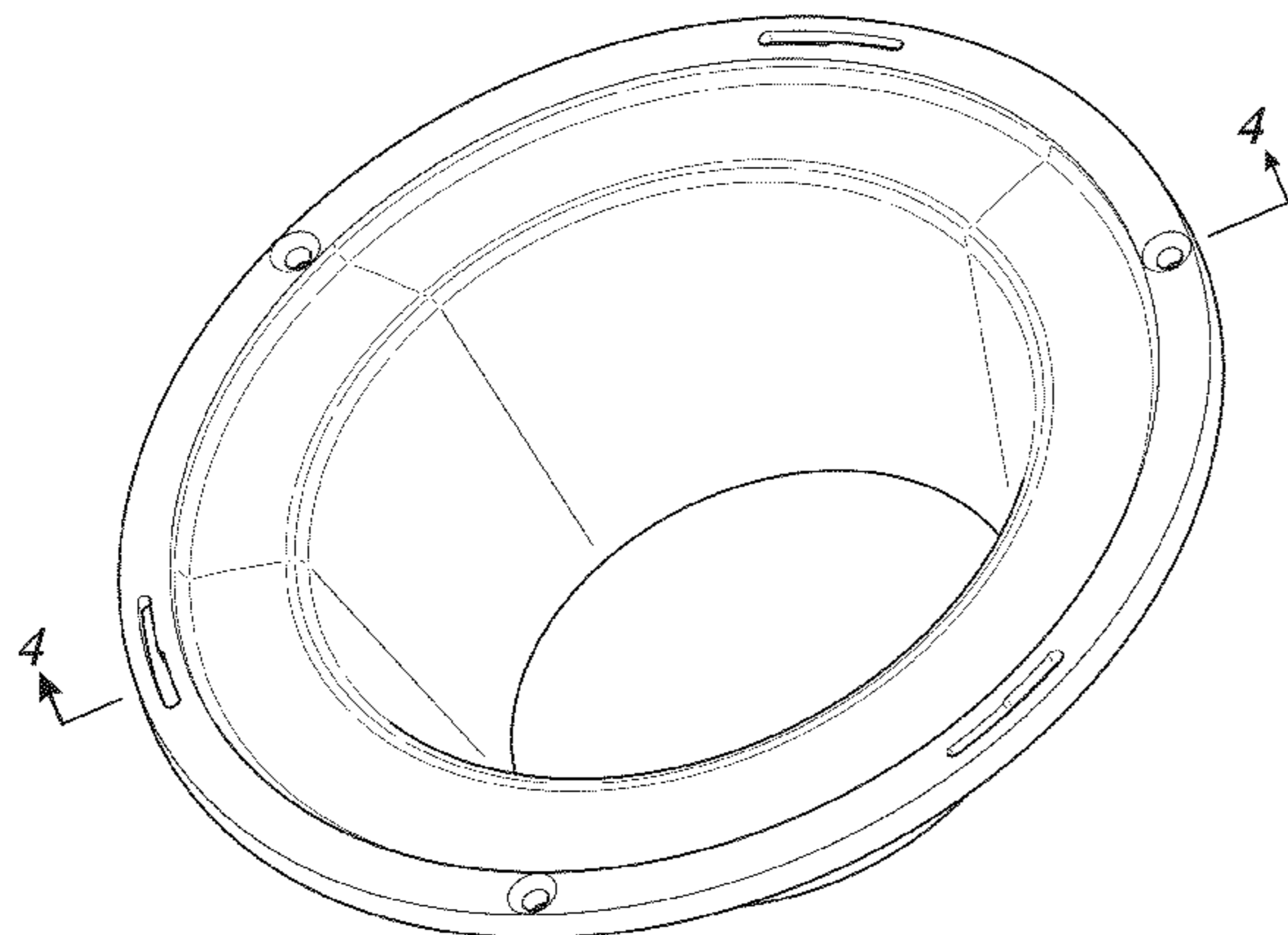
(57) **CLAIM**

The ornamental design for a tall mount screen, as shown and described.

DESCRIPTION

FIG. 1 is a top perspective view showing my new design; FIG. 2 is a bottom perspective view thereof; FIG. 3 is a side view thereof; FIG. 4 is a sectional view taken along line 4-4 in FIG. 1; FIG. 5 is a top view thereof; and, FIG. 6 is a bottom view thereof.

1 Claim, 4 Drawing Sheets



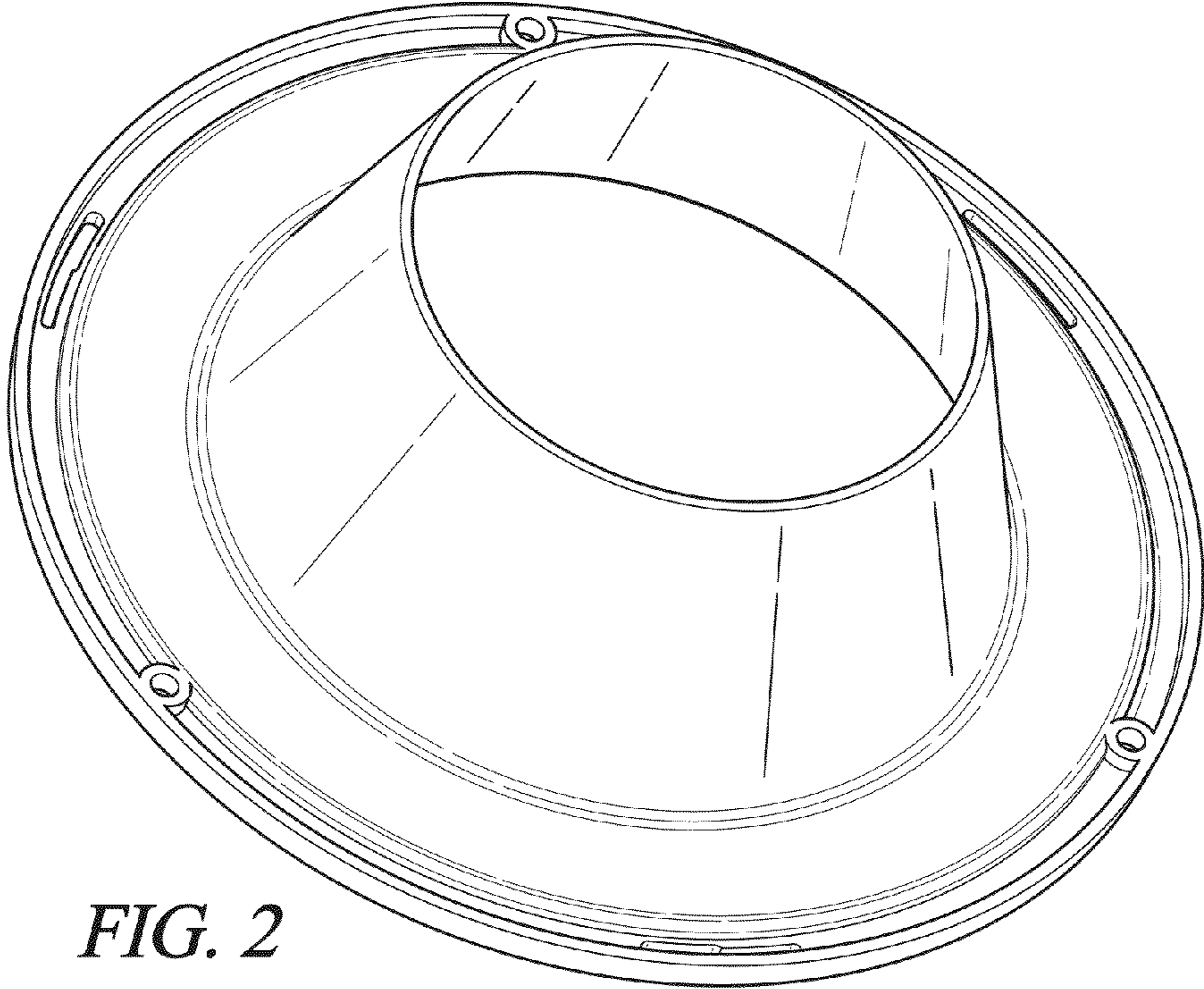
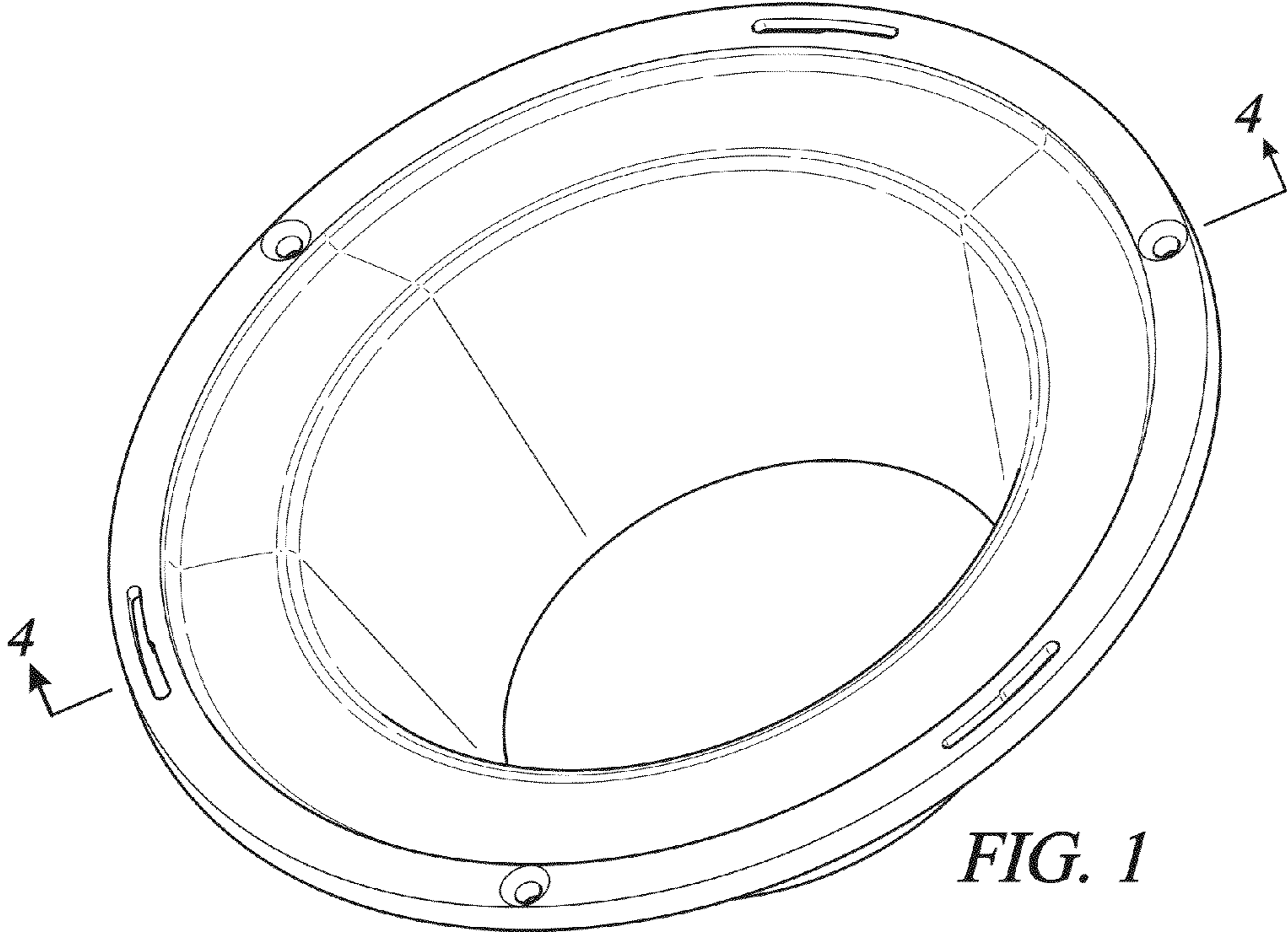
(56)

References Cited

U.S. PATENT DOCUMENTS

D663,888 S *	7/2012	Davis	D26/138	2004/0240211 A1	12/2004	Rodgers et al.	
D670,855 S	11/2012	Turner		2007/0183154 A1	8/2007	Robson	
2003/0186017 A1	10/2003	Stockton		2008/0112168 A1*	5/2008	Pickard et al.	362/247
				2009/0135608 A1	5/2009	Sell	
				2013/0272019 A1*	10/2013	Engstrom et al.	362/581

* cited by examiner



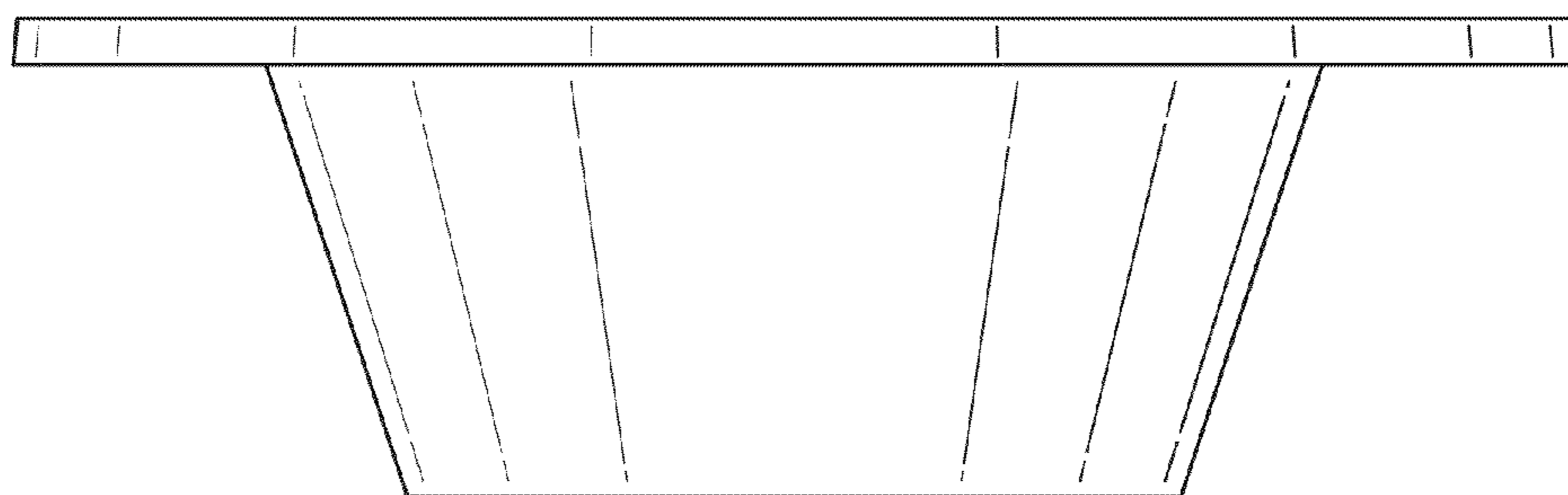


FIG. 3

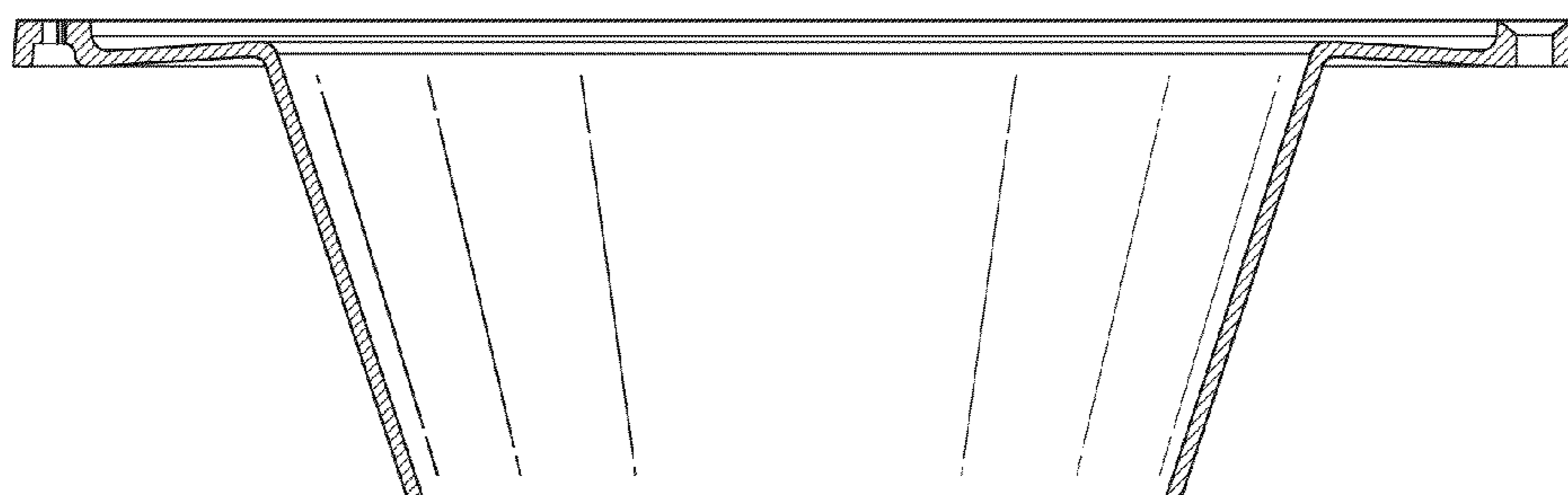


FIG. 4

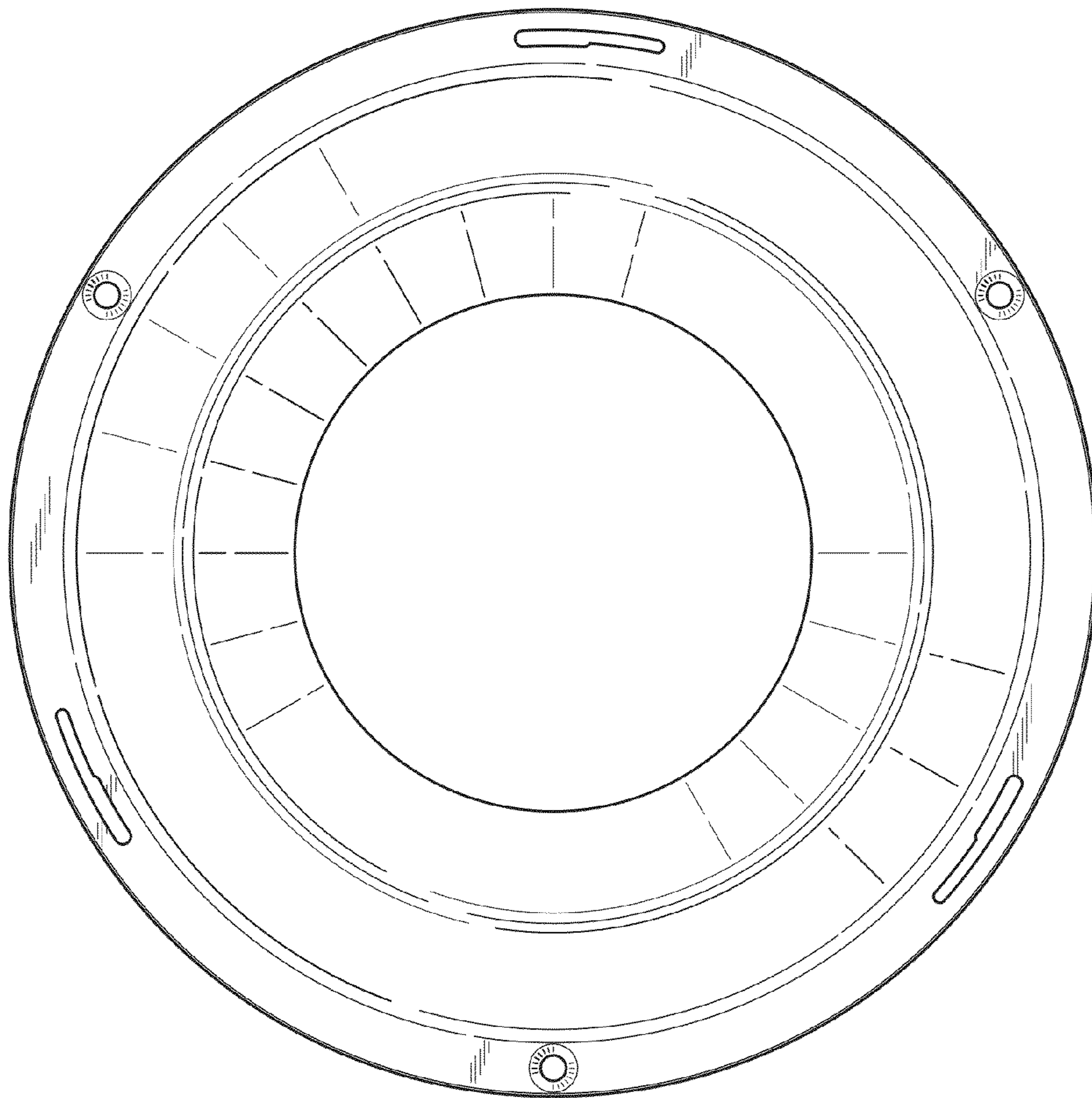


FIG. 5

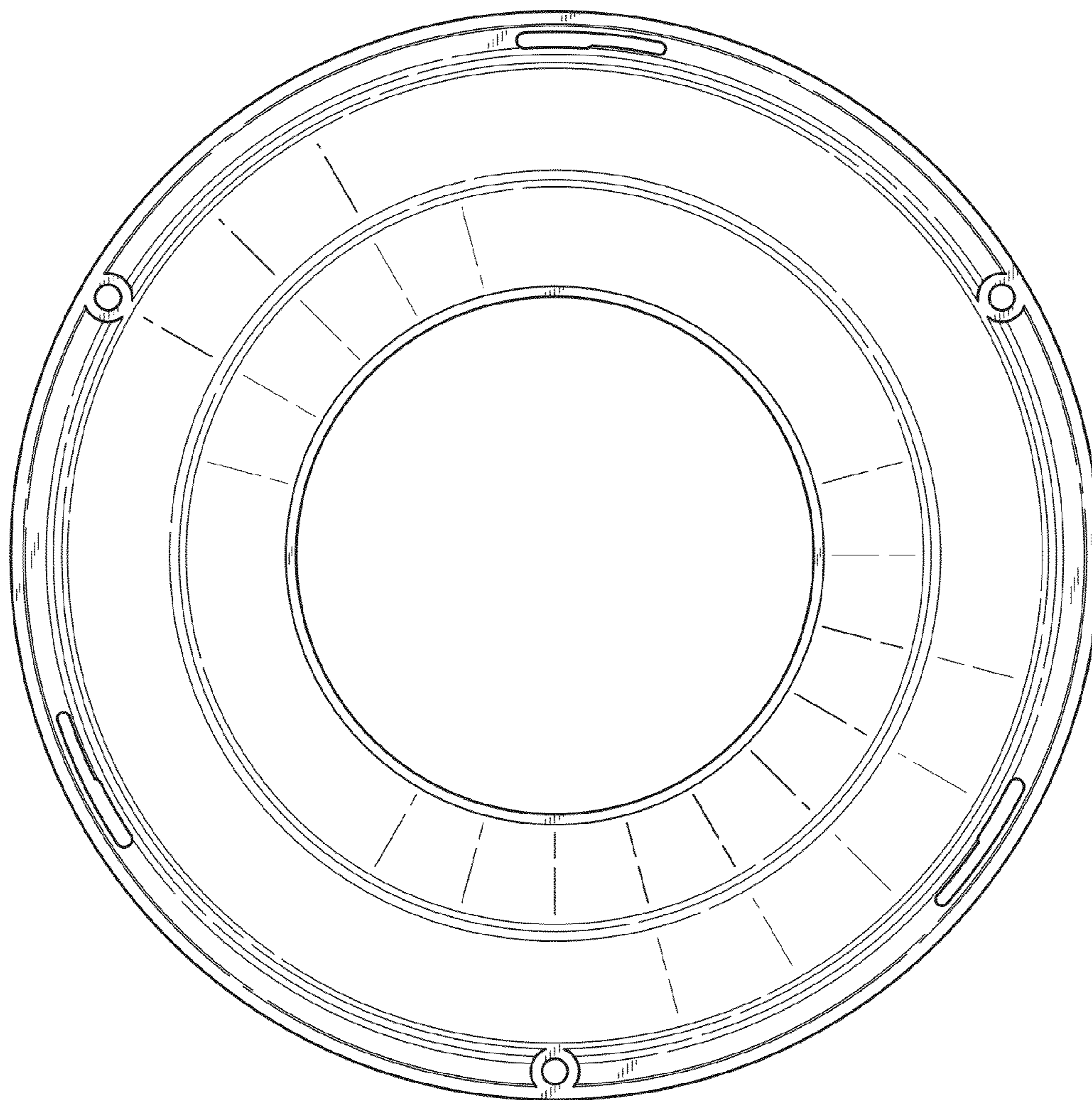


FIG. 6