



US00D707876S

(12) **United States Design Patent**
Reed et al.

(10) **Patent No.:** **US D707,876 S**
(45) **Date of Patent:** **** Jun. 24, 2014**

(54) **NARROW BEAM LED MODULE OPTIC**

(71) Applicant: **Xicato, Inc.**, San Jose, CA (US)

(72) Inventors: **Christopher R. Reed**, San Jose, CA (US); **John S. Yriberry**, San Jose, CA (US); **Jim W. Li**, Fremont, CA (US); **Peter K. Tseng**, San Jose, CA (US)

(73) Assignee: **Xicato, Inc.**, San Jose, CA (US)

(**) Term: **14 Years**

(21) Appl. No.: **29/469,126**

(22) Filed: **Oct. 7, 2013**

(51) **LOC (10) Cl.** **26-99**

(52) **U.S. Cl.**
USPC **D26/118**

(58) **Field of Classification Search**
USPC D26/1, 2, 5-7, 16, 24, 26, 28, 36, 46, D26/50, 51, 55-59, 60, 61, 63, 64, 66, D26/67-72, 74-76, 78, 79, 81-84, 85, 88, D26/89, 93, 104, 105, 107, 108, 113, D26/118-124; 362/145, 147, 153, 153.1, 362/186-188, 190, 191, 216, 217.01, 220, 362/221, 217.02-217.17, 235, 362/249.01-249.03, 285, 289, 296.01, 362/296.05, 296.07, 362, 555, 558, 560, 362/576, 578, 581, 643; D11/143-154
See application file for complete search history.

(56) **References Cited**

U.S. PATENT DOCUMENTS

1,429,762	A	9/1922	Oliver
3,662,165	A	5/1972	Osteen et al.
3,878,505	A	4/1975	Seibert
D235,228	S	5/1975	Steenhoven
D268,876	S	5/1983	Leithauser, Jr.
4,597,031	A	6/1986	Tsuyama

D293,823	S	*	1/1988	Fieschi et al.	D26/6
D298,862	S		12/1988	Tharp et al.		
D299,070	S		12/1988	Tharp et al.		
D343,252	S		1/1994	Belisle		
D402,773	S	*	12/1998	Lo	D26/24
D412,370	S	*	7/1999	Cece	D26/28
D418,938	S		1/2000	McCartney et al.		
D427,335	S		6/2000	Noll		
D437,437	S		2/2001	Donato		
D437,443	S	*	2/2001	Lin	D26/63
D443,940	S		6/2001	Donato		
6,494,596	B1		12/2002	Burroughs		

(Continued)

FOREIGN PATENT DOCUMENTS

JP	D1298009	4/2007
JP	D1373573	11/2009

(Continued)

Primary Examiner — Garth Rademaker
Assistant Examiner — Llorellys Martinez-Rivera
(74) *Attorney, Agent, or Firm* — Silicon Valley Patent Group LLP

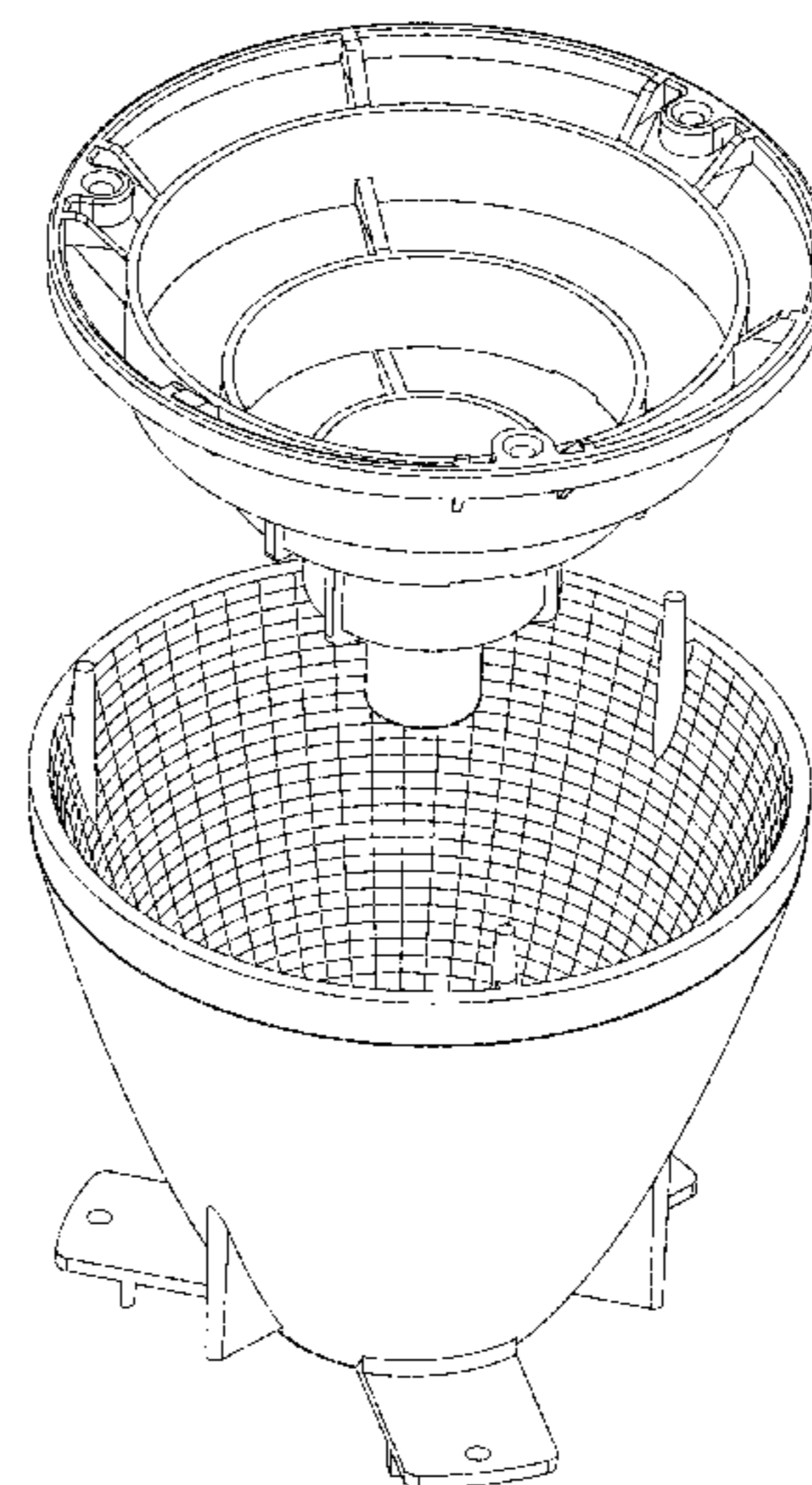
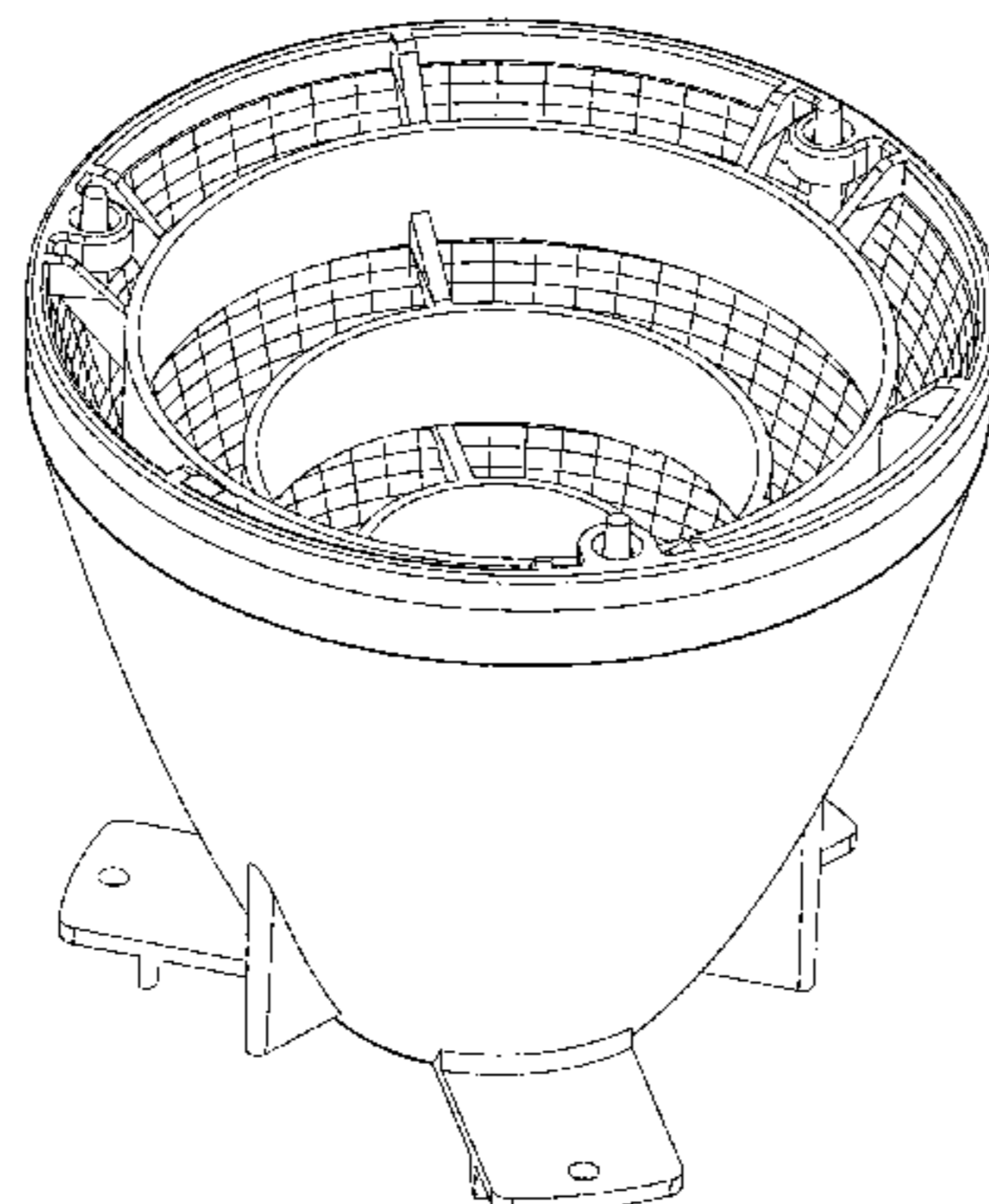
(57) **CLAIM**

The ornamental design for a narrow beam LED module optic, as shown.

DESCRIPTION

FIG. 1 is a top perspective view of a narrow beam LED module optic showing our new design;
FIG. 2 is a top perspective, exploded view of a narrow beam LED module optic showing our new design;
FIG. 3 is a top plan view thereof;
FIG. 4 is a bottom plan view thereof;
FIG. 5 is a front view thereof;
FIG. 6 is a back view thereof;
FIG. 7 is a left view thereof; and,
FIG. 8 is a right view thereof.

1 Claim, 8 Drawing Sheets



(56)

References Cited

U.S. PATENT DOCUMENTS

6,575,601 B1 6/2003 Sitzema et al.
 D487,320 S 3/2004 Huang
 D488,880 S 4/2004 Rahn
 6,733,158 B2 5/2004 Fischer et al.
 7,011,430 B2 3/2006 Chen
 7,025,476 B2 4/2006 Leadford
 D530,836 S 10/2006 Johnson
 D535,408 S 1/2007 Tseng
 7,172,319 B2 2/2007 Holder et al.
 D551,784 S 9/2007 Krieglmeier et al.
 D567,421 S * 4/2008 Pan D26/59
 D582,062 S 12/2008 Van de Poel
 D583,980 S 12/2008 Guercio
 D584,442 S * 1/2009 Benensohn D26/79
 D588,299 S 3/2009 Sabernig
 D592,321 S * 5/2009 Maxik et al. D26/2
 D592,792 S 5/2009 Keller
 D608,493 S 1/2010 Zaderej et al.
 D617,493 S 6/2010 Engle et al.
 D620,153 S * 7/2010 Wang et al. D26/2
 D621,973 S * 8/2010 Grajcar D26/2
 7,772,604 B2 8/2010 Duong et al.
 7,841,748 B2 11/2010 Rodstein et al.
 D629,557 S 12/2010 Tseng et al.
 D635,280 S * 3/2011 Chao D26/2
 7,938,564 B2 5/2011 Kwong et al.

7,968,896 B2 6/2011 Duong et al.
 7,985,015 B2 7/2011 Tasch et al.
 D652,564 S 1/2012 Maxik
 8,087,960 B2 1/2012 Duong et al.
 D667,152 S * 9/2012 Hamasaki D26/28
 8,297,767 B2 10/2012 Tseng et al.
 8,337,055 B2 12/2012 Clifton et al.
 D675,754 S * 2/2013 Mathieu D26/2
 D686,773 S 7/2013 Tseng et al.
 D687,171 S * 7/2013 Brown et al. D26/2
 D688,398 S * 8/2013 Foo D26/2
 D688,400 S * 8/2013 Haumann D26/28
 8,500,299 B2 * 8/2013 Speidel et al. 362/235
 2003/0156416 A1 8/2003 Stopa et al.
 2004/0141324 A1 7/2004 Sales
 2005/0073849 A1 4/2005 Rhoads et al.
 2005/0173719 A1 8/2005 Yonekubo et al.
 2008/0080189 A1 4/2008 Wang
 2009/0275266 A1 11/2009 Winberg et al.
 2011/0280023 A1 11/2011 Lee et al.
 2013/0021808 A1 1/2013 Harbers et al.
 2013/0051006 A1 * 2/2013 Speidel et al. 362/235

FOREIGN PATENT DOCUMENTS

TW D220913 2/1994
 TW D110712 5/2006
 TW D134455 4/2010

* cited by examiner

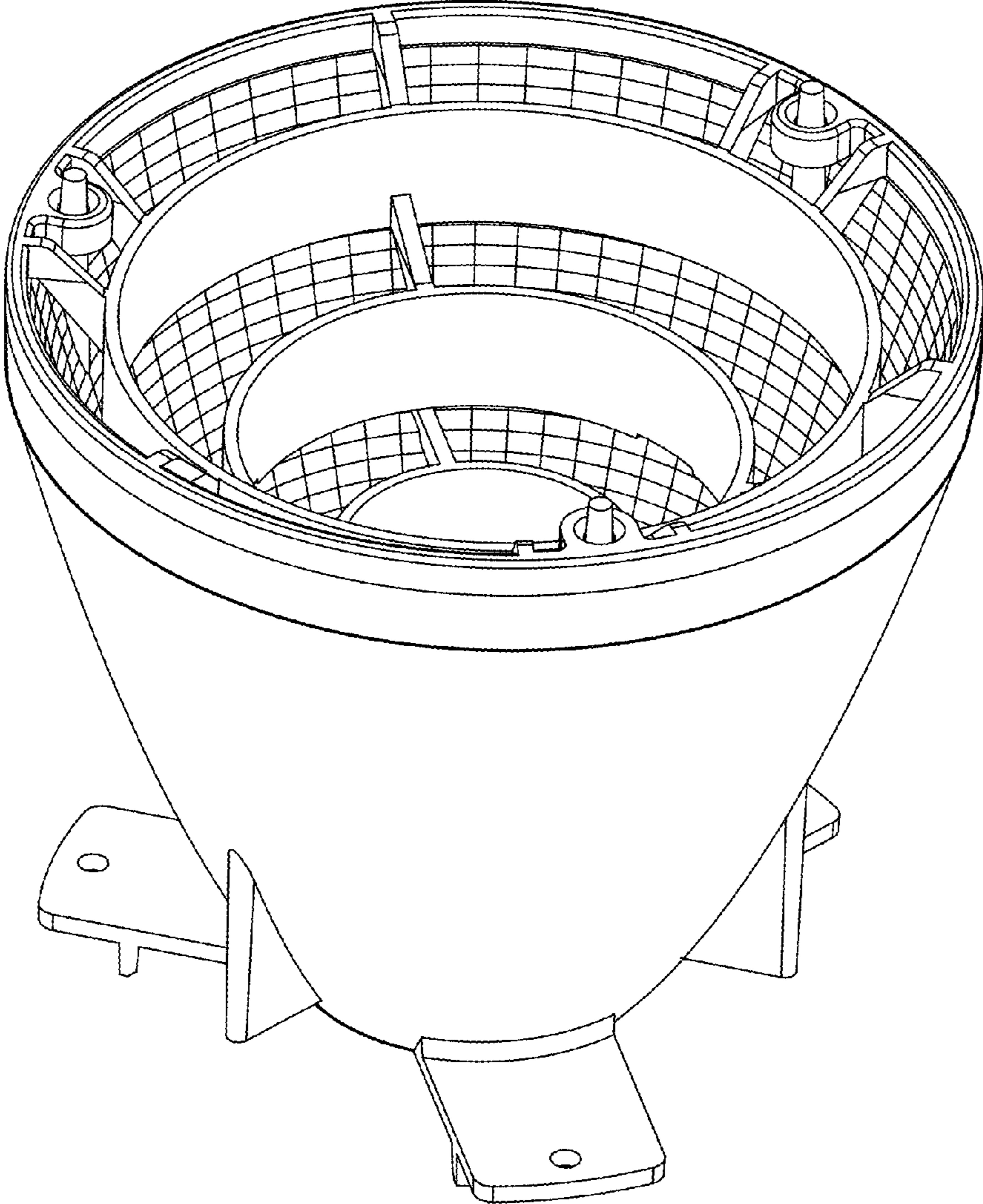


FIG. 1

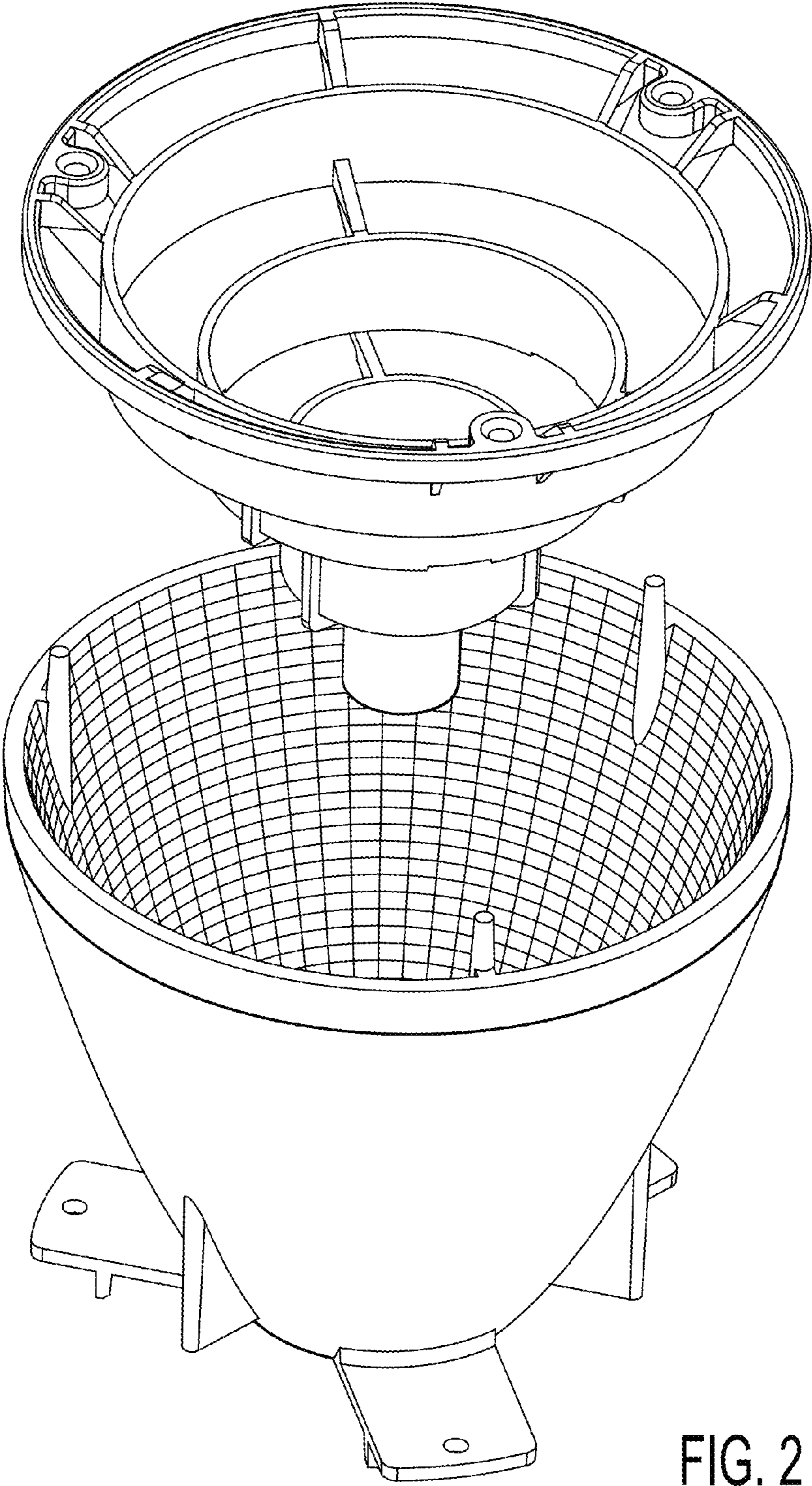


FIG. 2

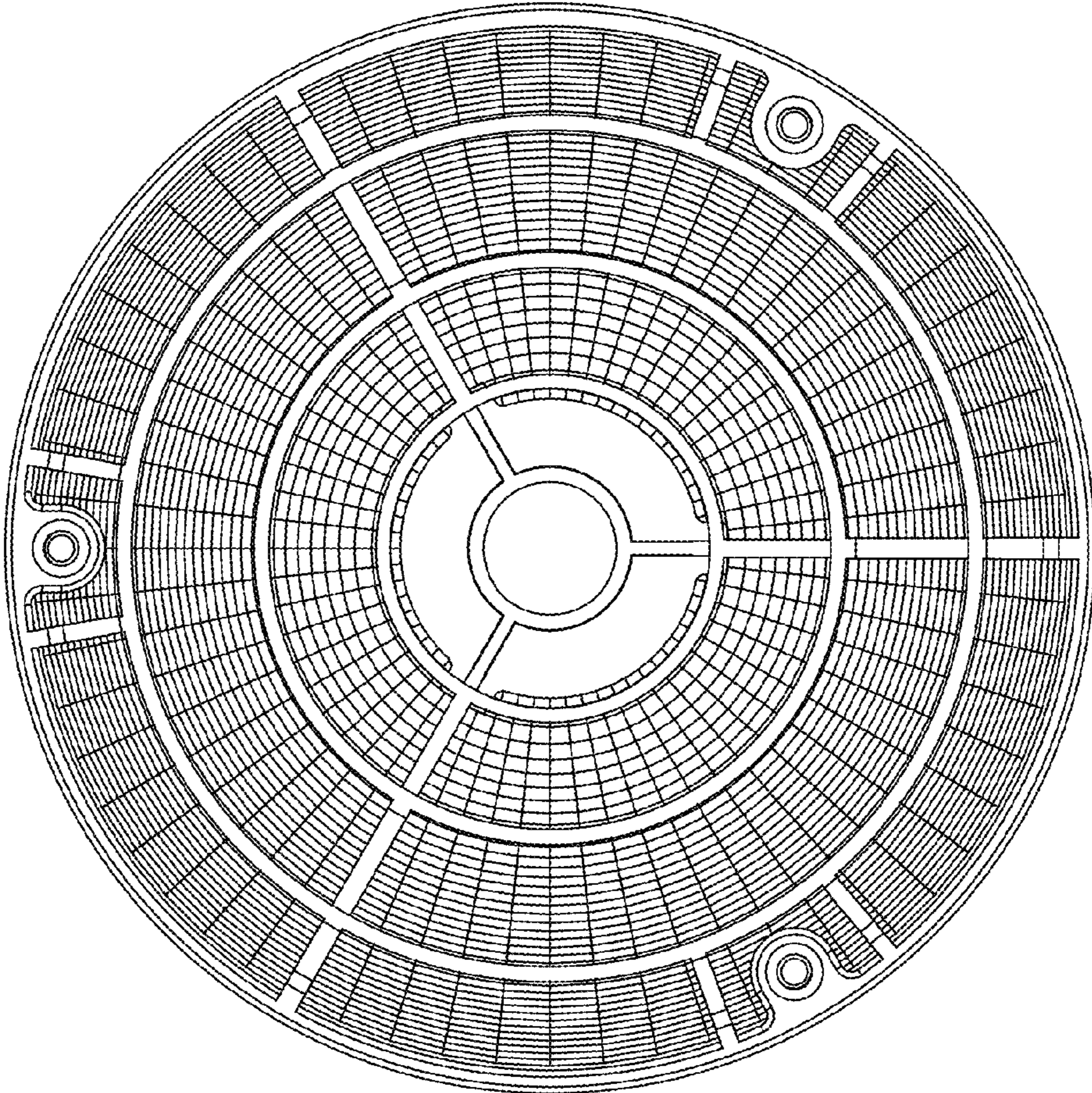


FIG. 3

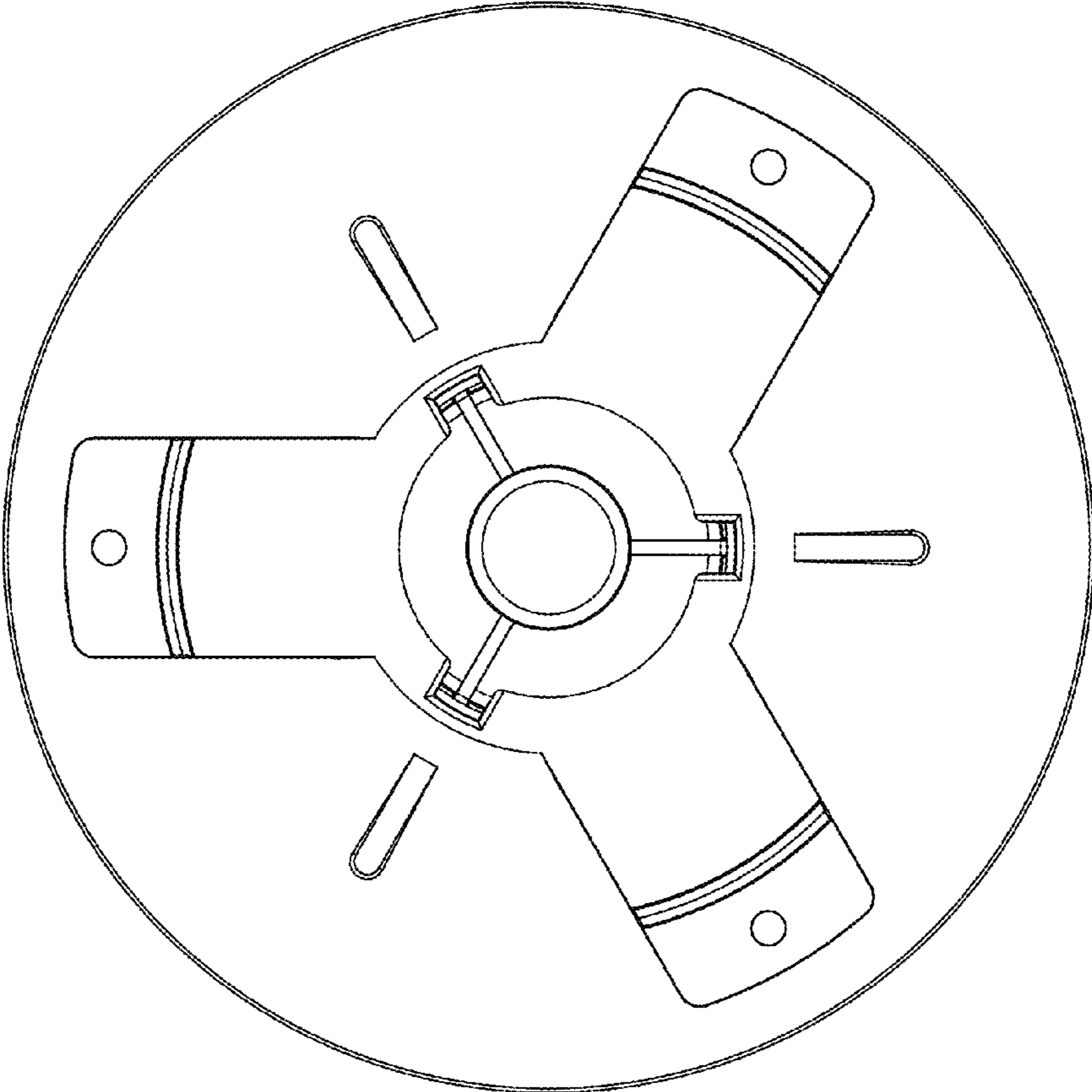


FIG. 4

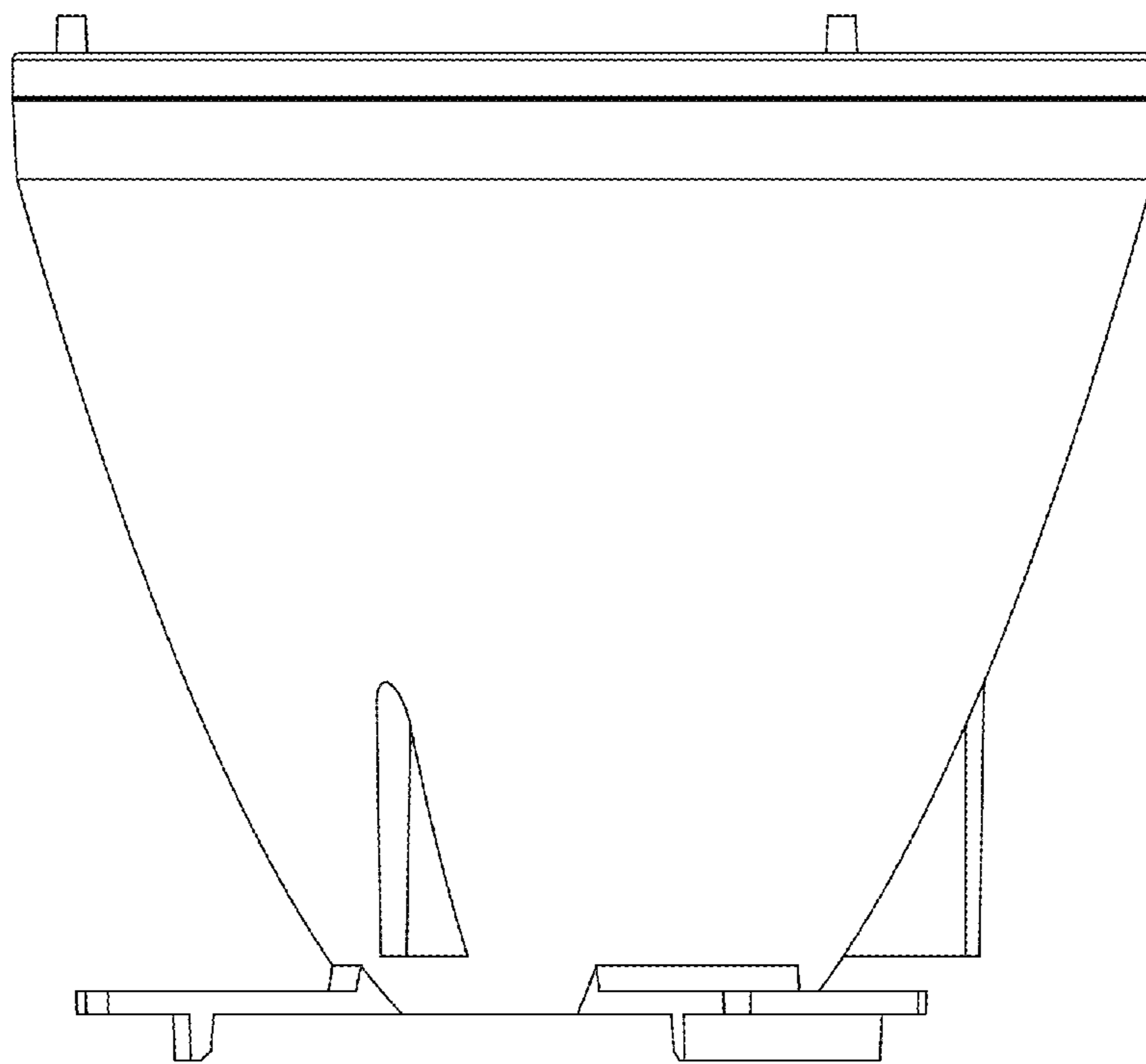


FIG. 5

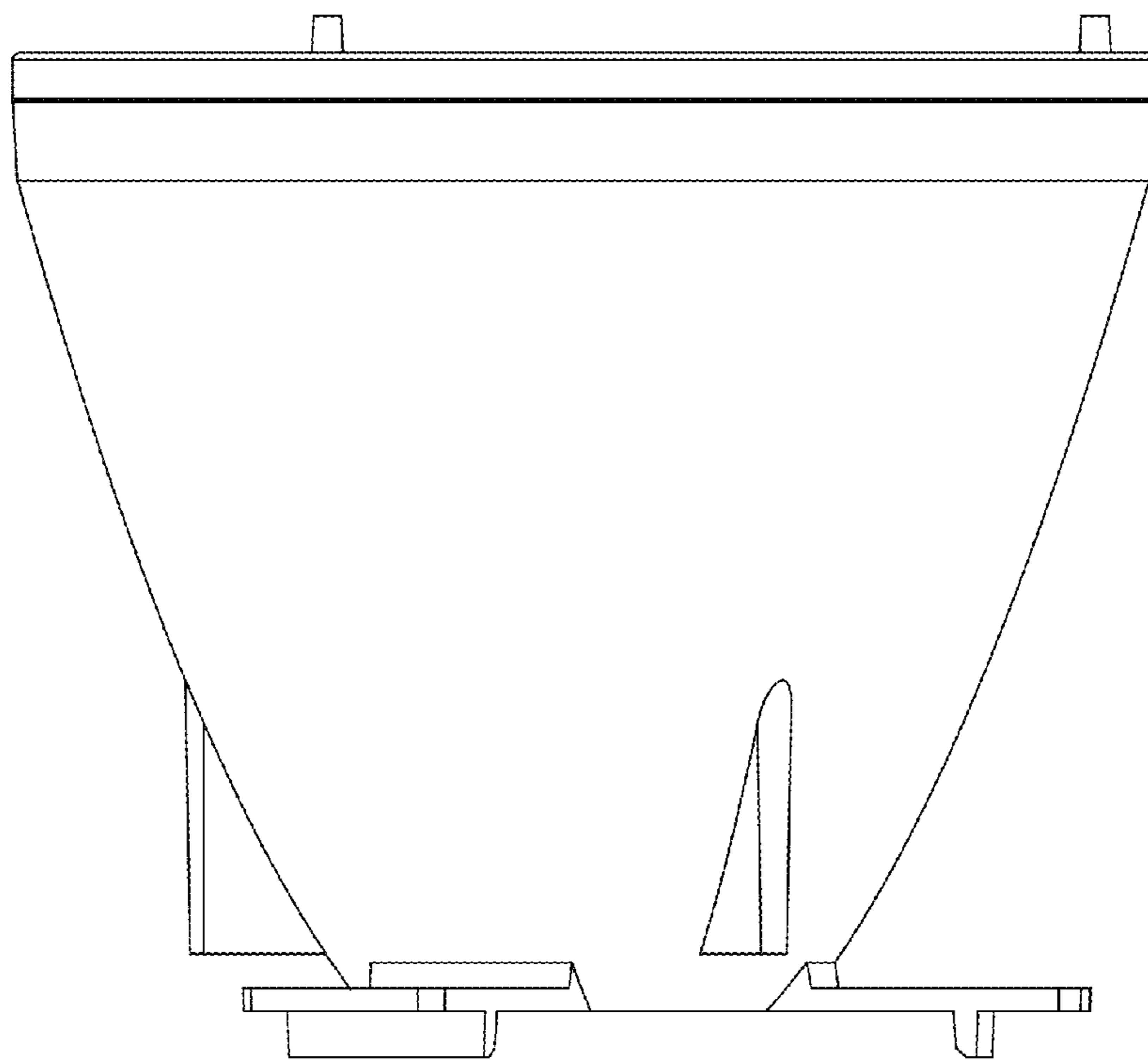


FIG. 6

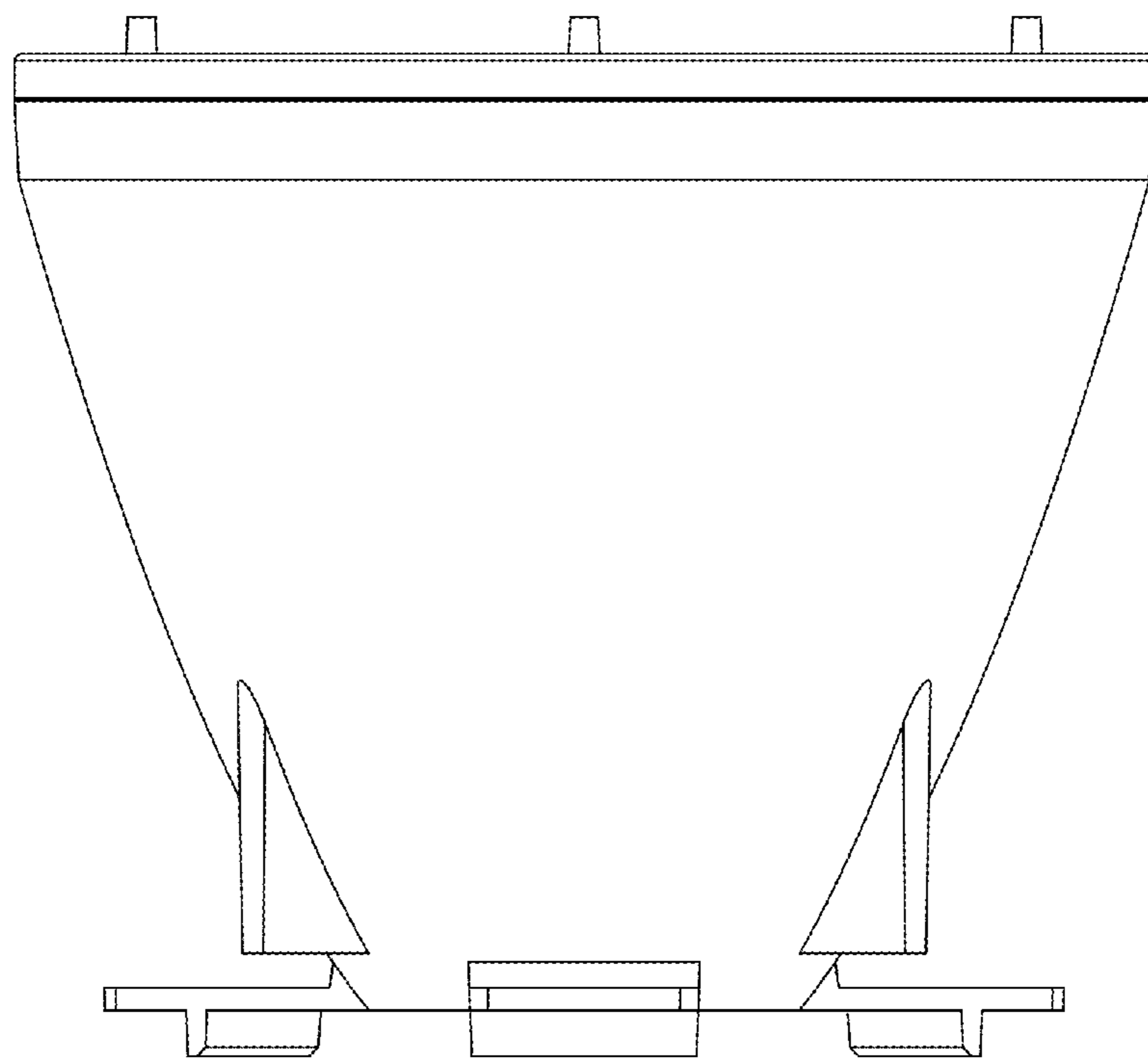


FIG. 7

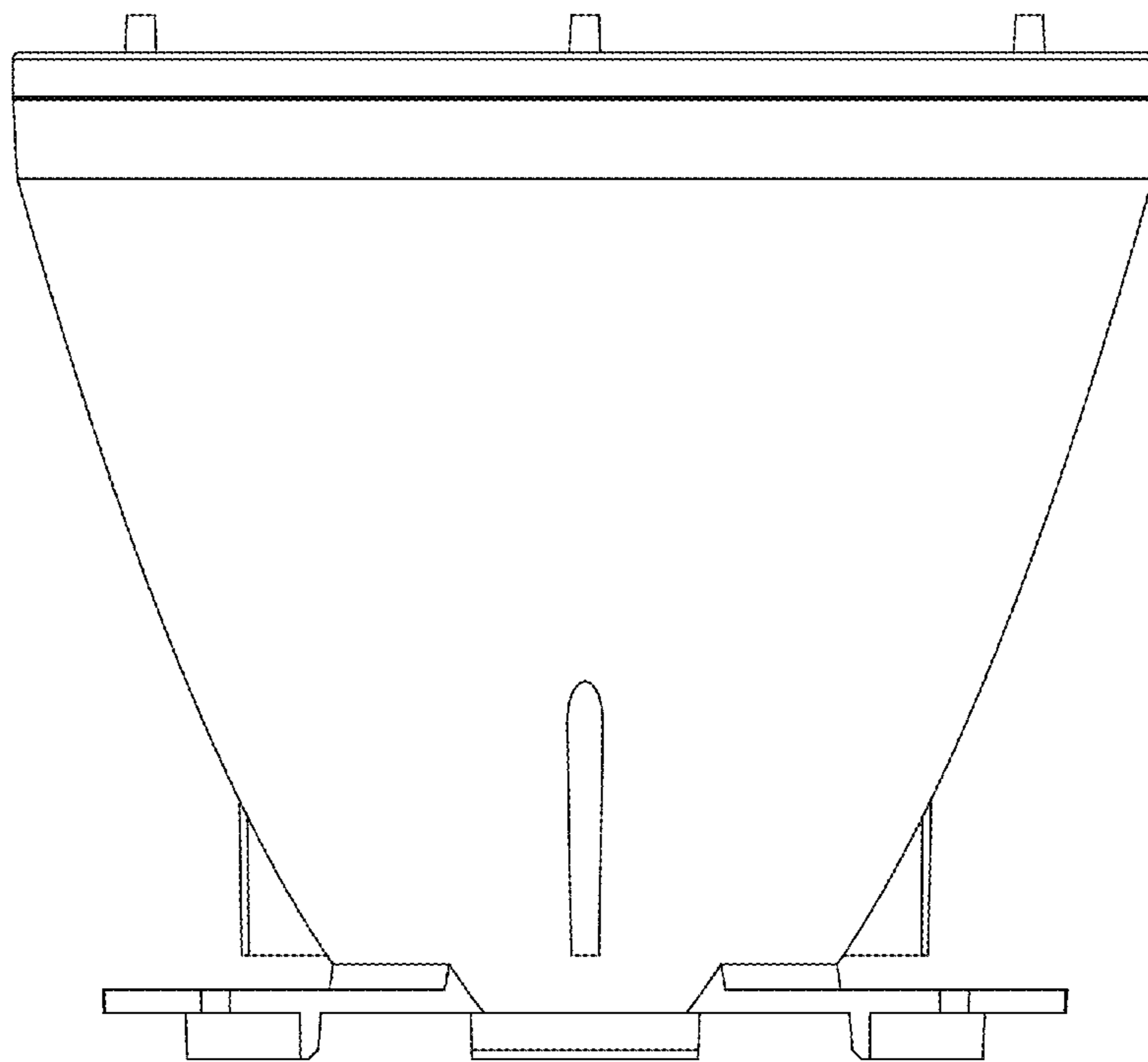


FIG. 8