



US00D707875S

(12) **United States Design Patent**  
**Kunzendorf**

(10) **Patent No.:** **US D707,875 S**  
(45) **Date of Patent:** **\*\* Jun. 24, 2014**

(54) **DIAL FOR A HEADLAMP, HEADLAMP BATTERY COMPARTMENT, OR THE LIKE**

(71) Applicant: **Zweibrüder Optoelectronics GmbH & Co. KG**, Solingen (DE)

(72) Inventor: **Andre Kunzendorf**, Solingen (DE)

(73) Assignee: **Zweibruder Optoelectronics GmbH & Co. KG**, Solingen (DE)

(\*\*) Term: **14 Years**

(21) Appl. No.: **29/464,026**

(22) Filed: **Aug. 12, 2013**

(51) **LOC (10) Cl.** ..... **26-99**

(52) **U.S. Cl.**

USPC ..... **D26/118**

(58) **Field of Classification Search**

USPC ..... D26/122, 118, 2, 28, 142, 123, 124, D26/125, 35, 116, 113, 74, 75, 5, 6, 67, 68, D26/69, 72, 86, 63, 61, 39, 135, 65, 120, D26/121, 126, 128, 89, 76, 132, 134, 119, D26/114; 362/290, 223, 346, 240, 298, 362/249.02, 247, 347, 179, 147, 150, 149; D13/179, 180; D10/114.4, 114.2, 111; 431/111, 104, 344, 109

See application file for complete search history.

(56) **References Cited**

**U.S. PATENT DOCUMENTS**

D217,065 S \* 3/1970 Gugelot et al. .... D26/37  
D222,500 S \* 10/1971 Gugelot et al. .... D26/37

(Continued)

**OTHER PUBLICATIONS**

Design U.S. Appl. No. 29/460,100, filed Jul. 8, 2013, In re: Feustel entitled *Headlamp*.

*Primary Examiner* — Kevin Rudzinski

(74) *Attorney, Agent, or Firm* — Alston & Bird LLP

(57) **CLAIM**

I claim the ornamental design for a dial for a headlamp, headlamp battery compartment, or the like, as shown and described.

**DESCRIPTION**

The patent or application file contains at least one drawing executed in color. Copies of this patent or patent application publication with color drawing(s) will be provided by the Office upon request and payment of the necessary fee.

FIG. 1 is a perspective view of a dial for a headlamp, headlamp battery compartment, or the like according to my new design;

FIG. 2 is a front elevation view thereof;

FIG. 3 is a rear elevation view thereof;

FIG. 4 is a top plan view thereof;

FIG. 5 is a bottom plan view thereof;

FIG. 6 is a left side elevation view thereof;

FIG. 7 is a right side elevation view thereof;

FIG. 8 is another perspective view thereof, shown attached to the band of a headlamp;

FIG. 9 is another right side elevation view thereof, shown attached to the band of a headlamp;

FIG. 10 is another left side elevation view thereof, shown attached to the band of a headlamp;

FIG. 11 is another rear elevation view thereof, shown attached to the band of a headlamp;

FIG. 12 is another front elevation view thereof, shown attached to the band of a headlamp;

FIG. 13 is another top plan view thereof, shown attached to the band of a headlamp; and

FIG. 14 is another bottom plan view thereof, shown attached to the band of a headlamp.

FIG. 15 is a perspective view of another embodiment of a dial for a headlamp, headlamp battery compartment, or the like according to my new design;

FIG. 16 is a front elevation view thereof;

FIG. 17 is a rear elevation view thereof;

FIG. 18 is a left side elevation view thereof;

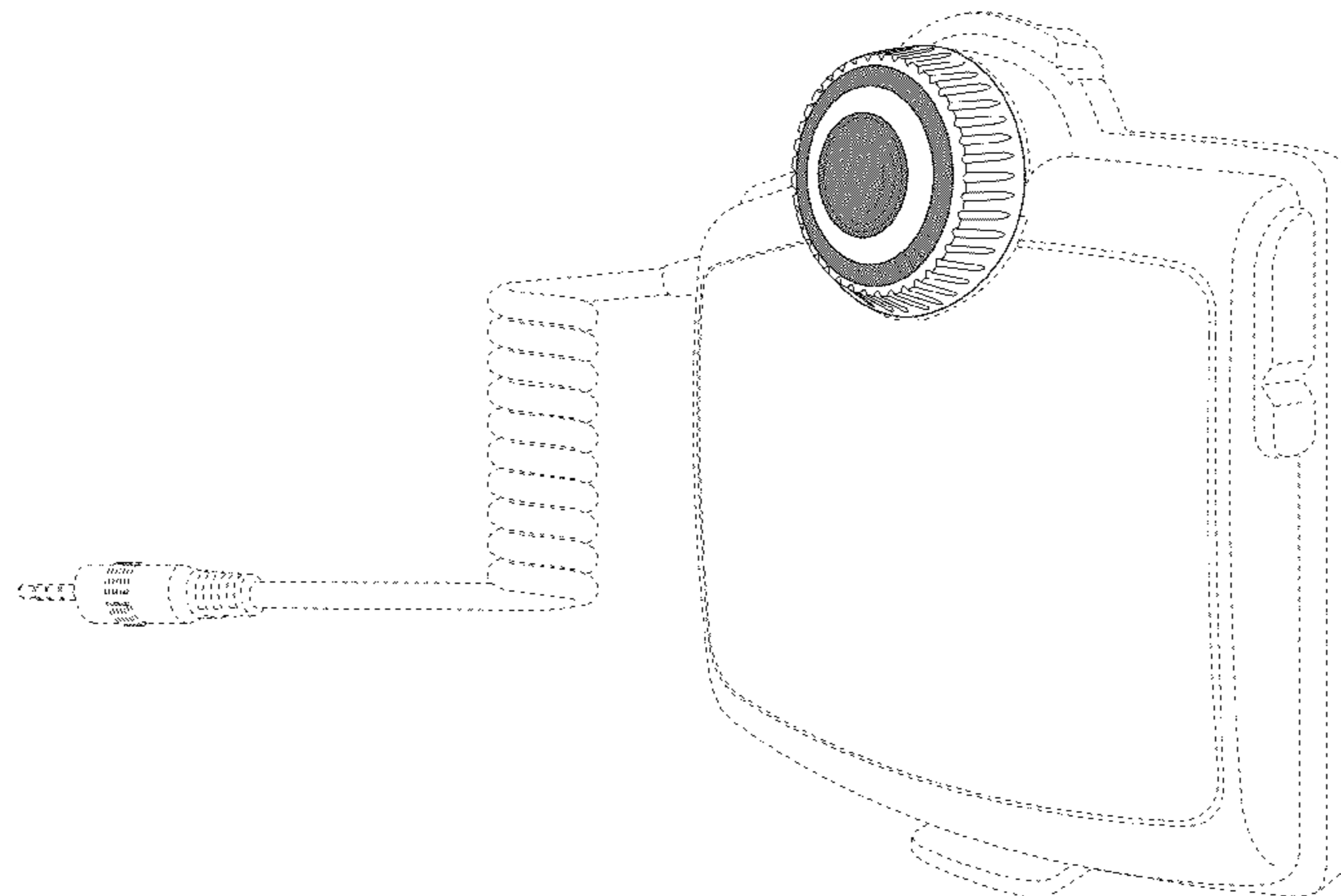
FIG. 19 is a right side elevation view thereof;

FIG. 20 is a top plan view thereof; and,

FIG. 21 is a bottom plan view thereof.

The broken lines shown in the drawings illustrate environment features and form no part of the claimed design.

**1 Claim, 21 Drawing Sheets**  
**(17 of 21 Drawing Sheet(s) Filed in Color)**



(56)

**References Cited**

U.S. PATENT DOCUMENTS

D352,915 S *	11/1994	Wang	.....	D10/114.8	D574,095 S *	7/2008	Hill et al.	.....	D26/26
D362,920 S *	10/1995	Schwartz	.....	D26/39	D581,081 S *	11/2008	Mier-Langner	.....	D26/72
5,800,042 A *	9/1998	Blank	.....	362/105	D614,786 S *	4/2010	Lee	.....	D26/39
D481,823 S *	11/2003	McClow et al.	.....	D26/113	D625,863 S *	10/2010	Kingston et al.	.....	D26/39
D482,811 S *	11/2003	Petzl	.....	D26/39	7,857,478 B1 *	12/2010	Keller	.....	362/103
6,877,875 B2 *	4/2005	Yu et al.	.....	362/105	D633,240 S *	2/2011	Cheng	.....	D26/60
D520,162 S *	5/2006	Shiu	.....	D26/39	D672,893 S *	12/2012	Inskeep	.....	D26/39
D525,734 S *	7/2006	Shiao	.....	D26/39	D673,641 S *	1/2013	Robinson	.....	D22/122
D533,954 S *	12/2006	Opolka	.....	D26/39	D674,944 S *	1/2013	Bertken	.....	D26/39
D544,388 S *	6/2007	Chisholm	.....	D10/114.2	D676,598 S *	2/2013	Davidson	.....	D26/138
					D682,451 S *	5/2013	Hardy	.....	D26/60
					D683,489 S *	5/2013	Lee	.....	D26/39
					2006/0171145 A1 *	8/2006	Ford et al.	.....	362/200

\* cited by examiner

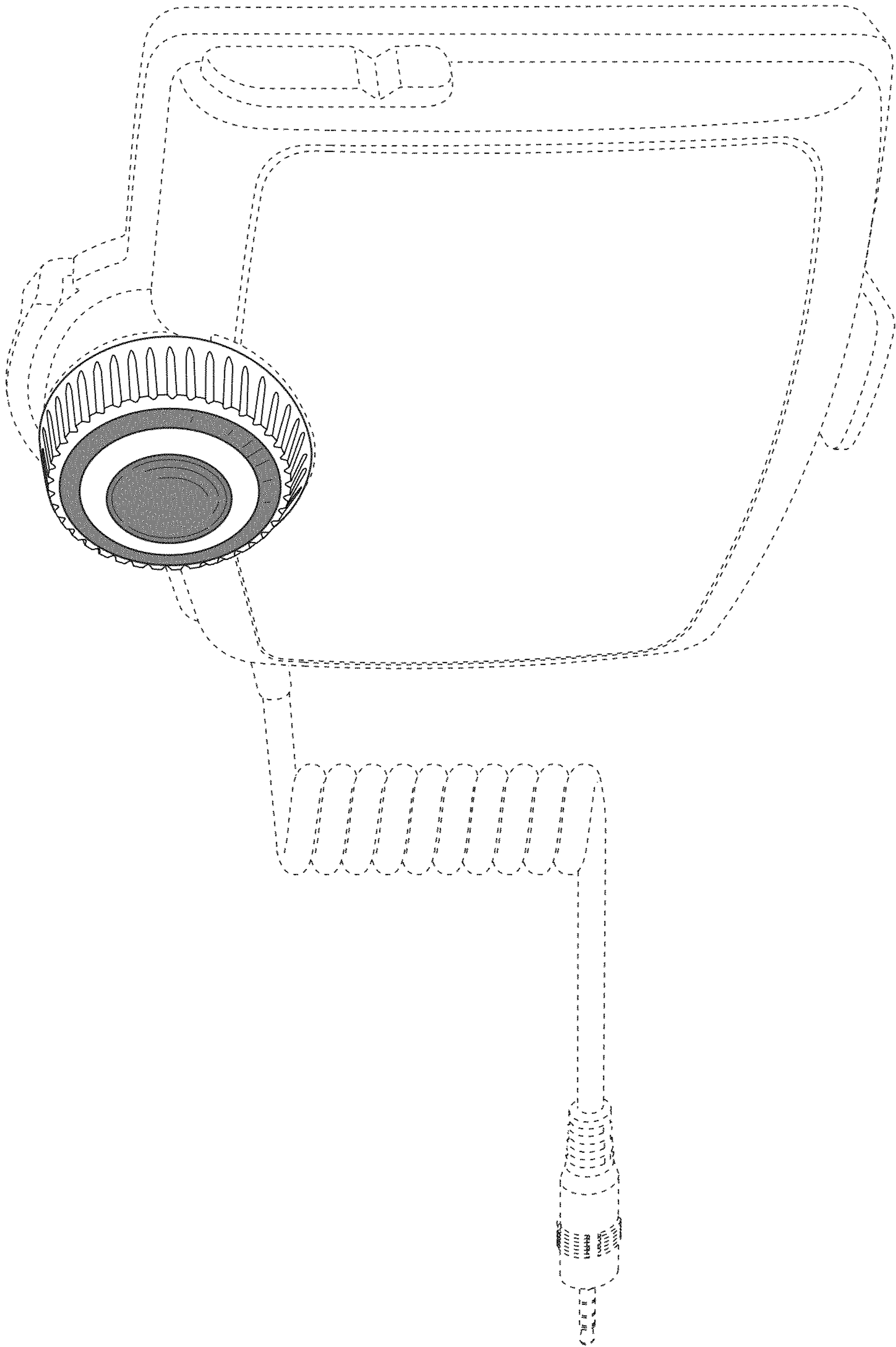


FIG. 1

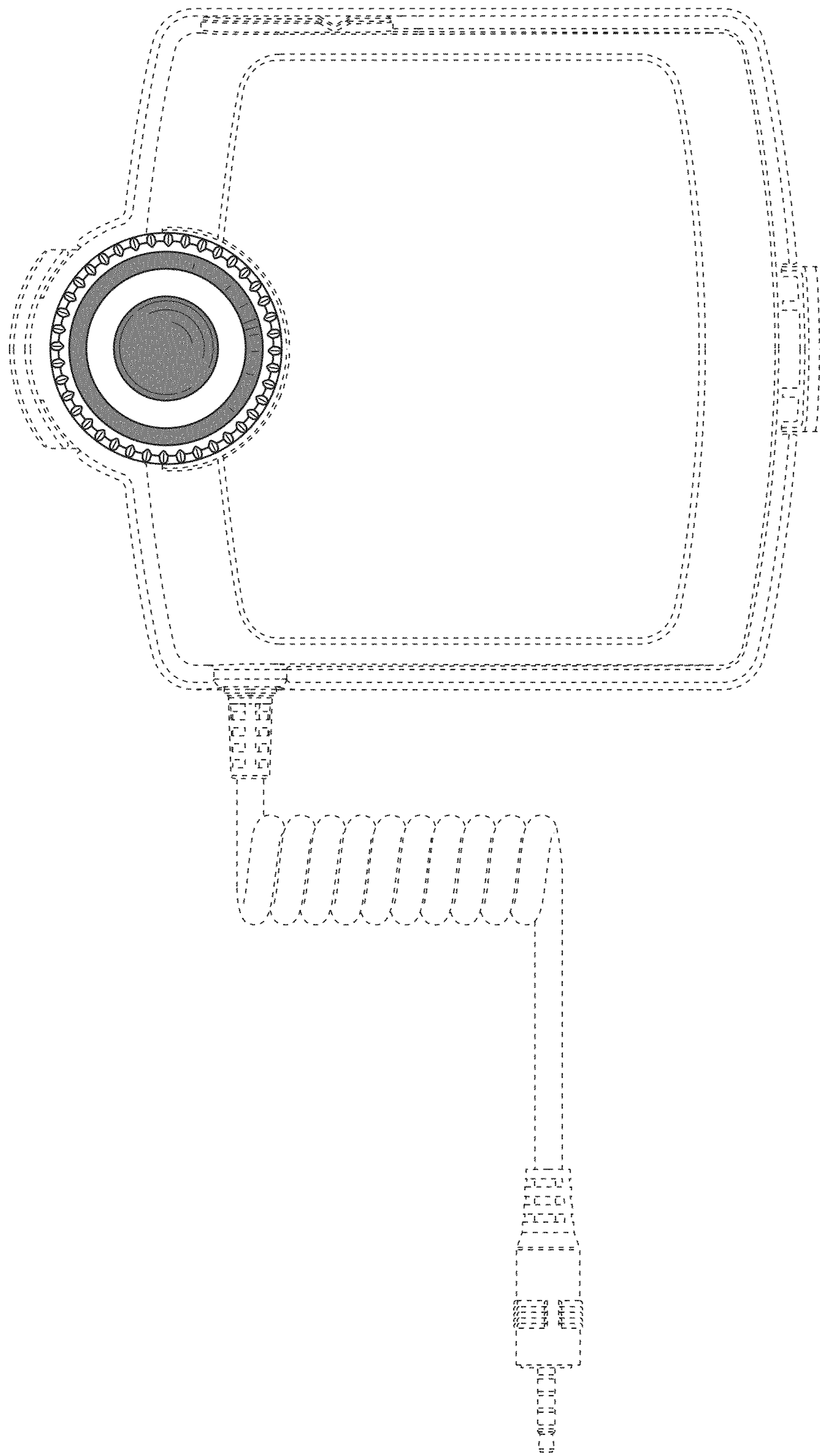


FIG. 2



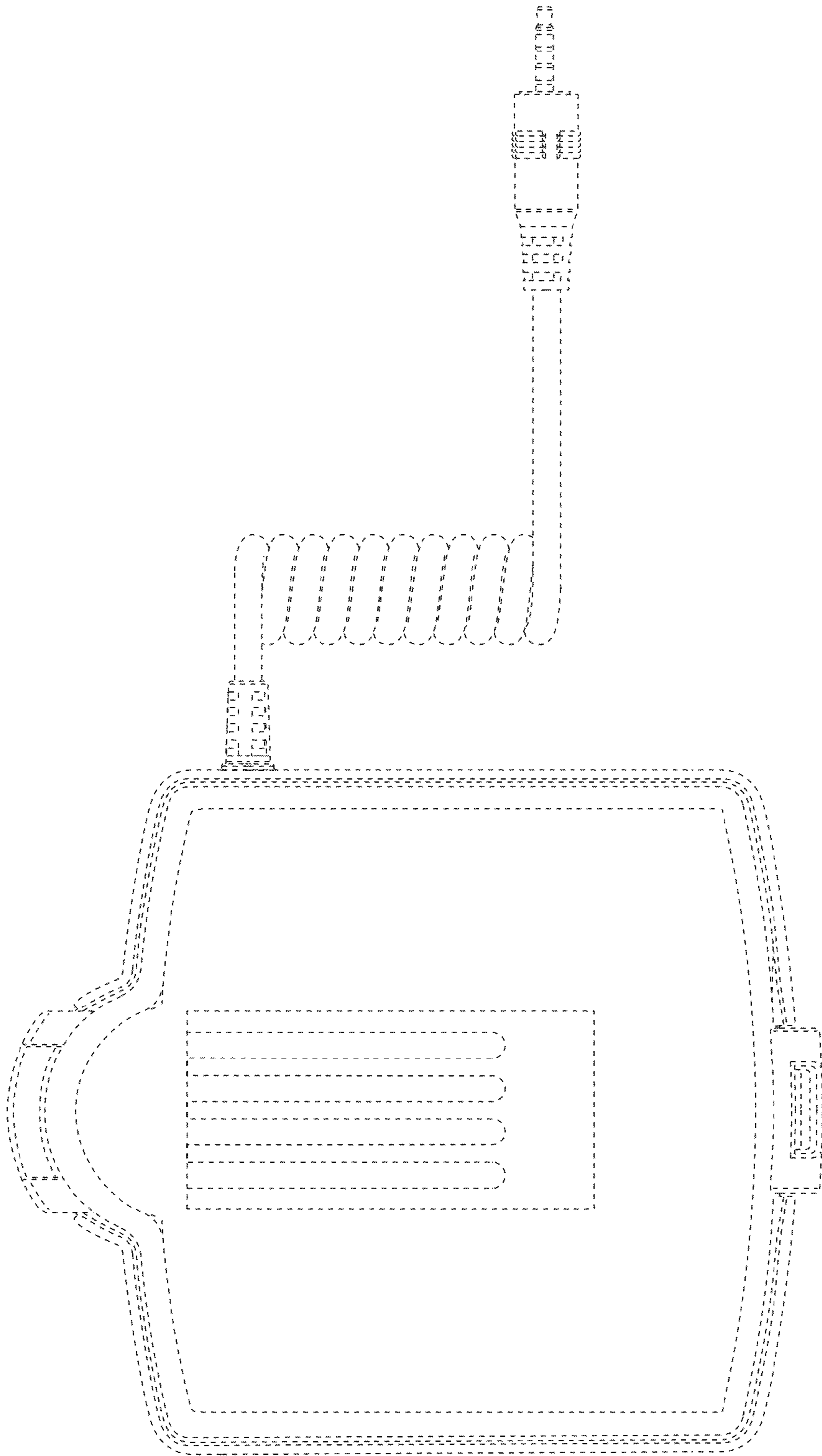


FIG. 3

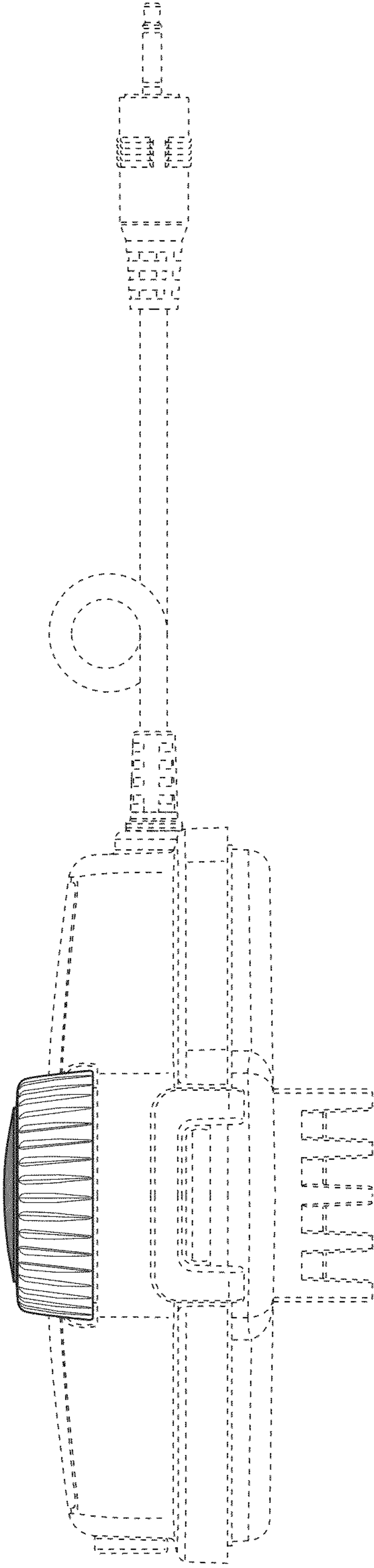


FIG. 4

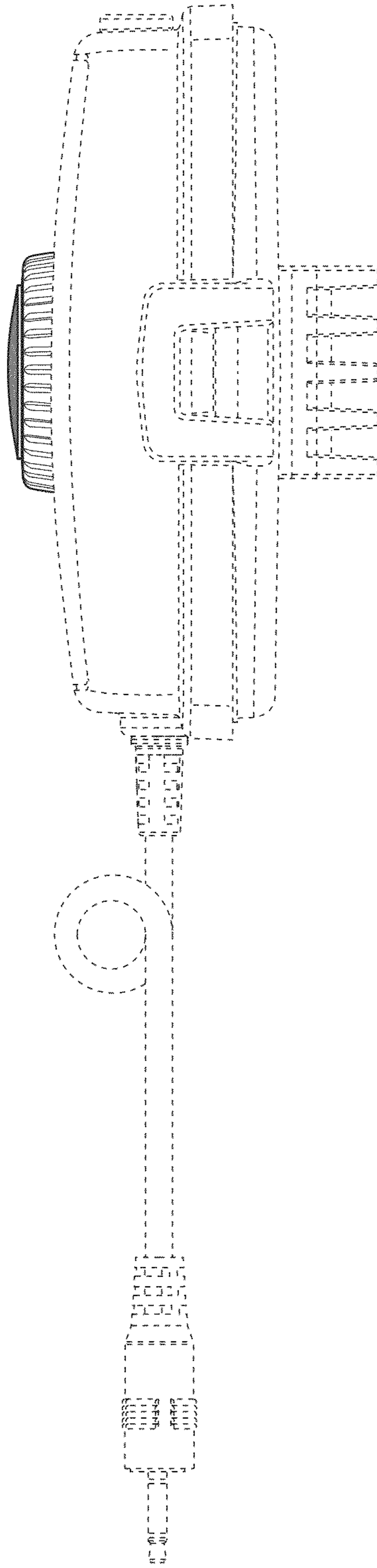
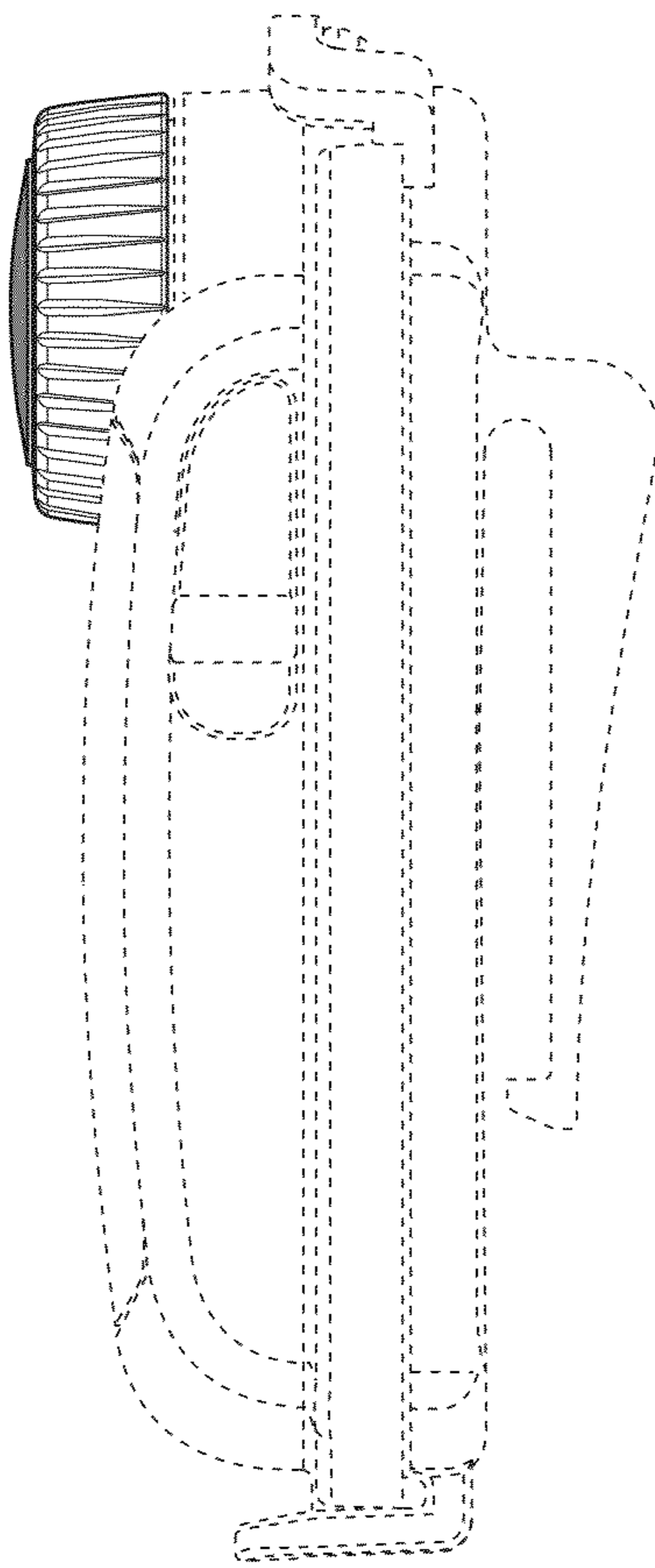
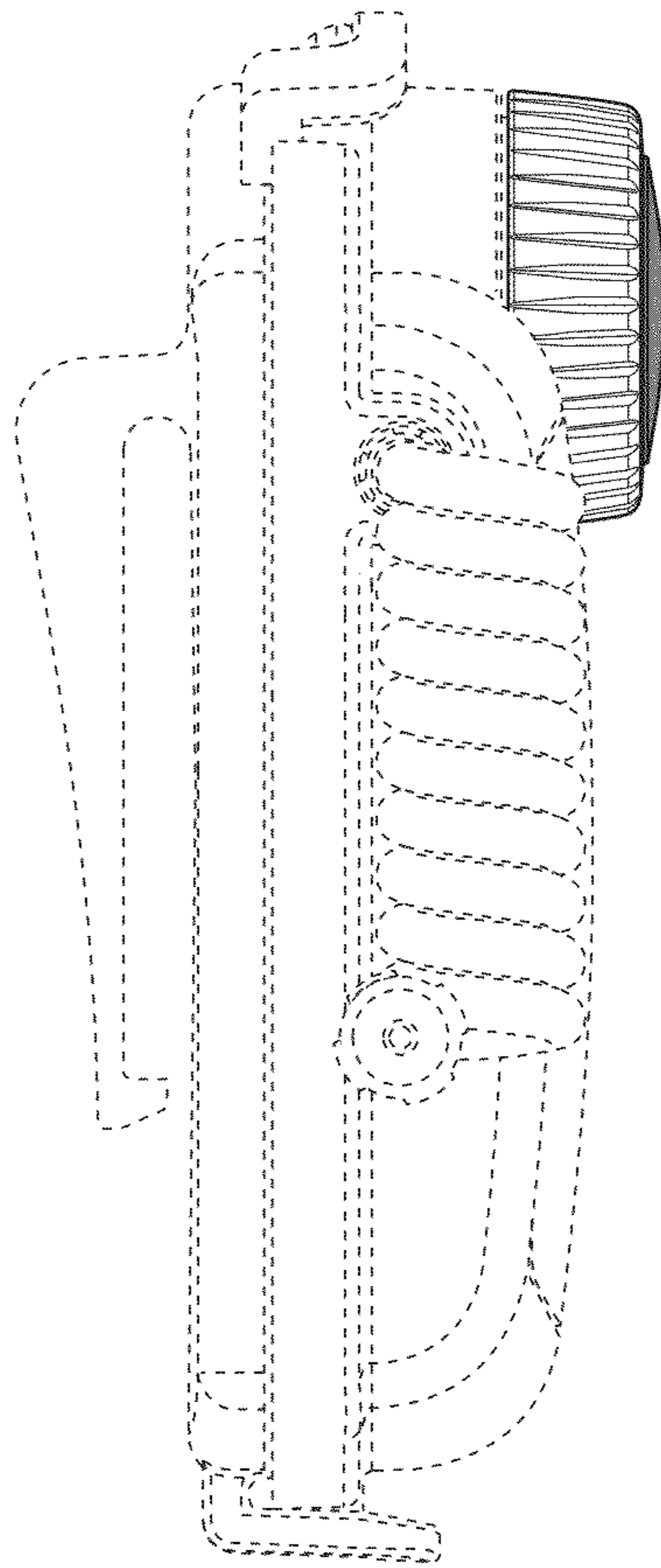


FIG. 5



**FIG. 6**





**FIG. 7**

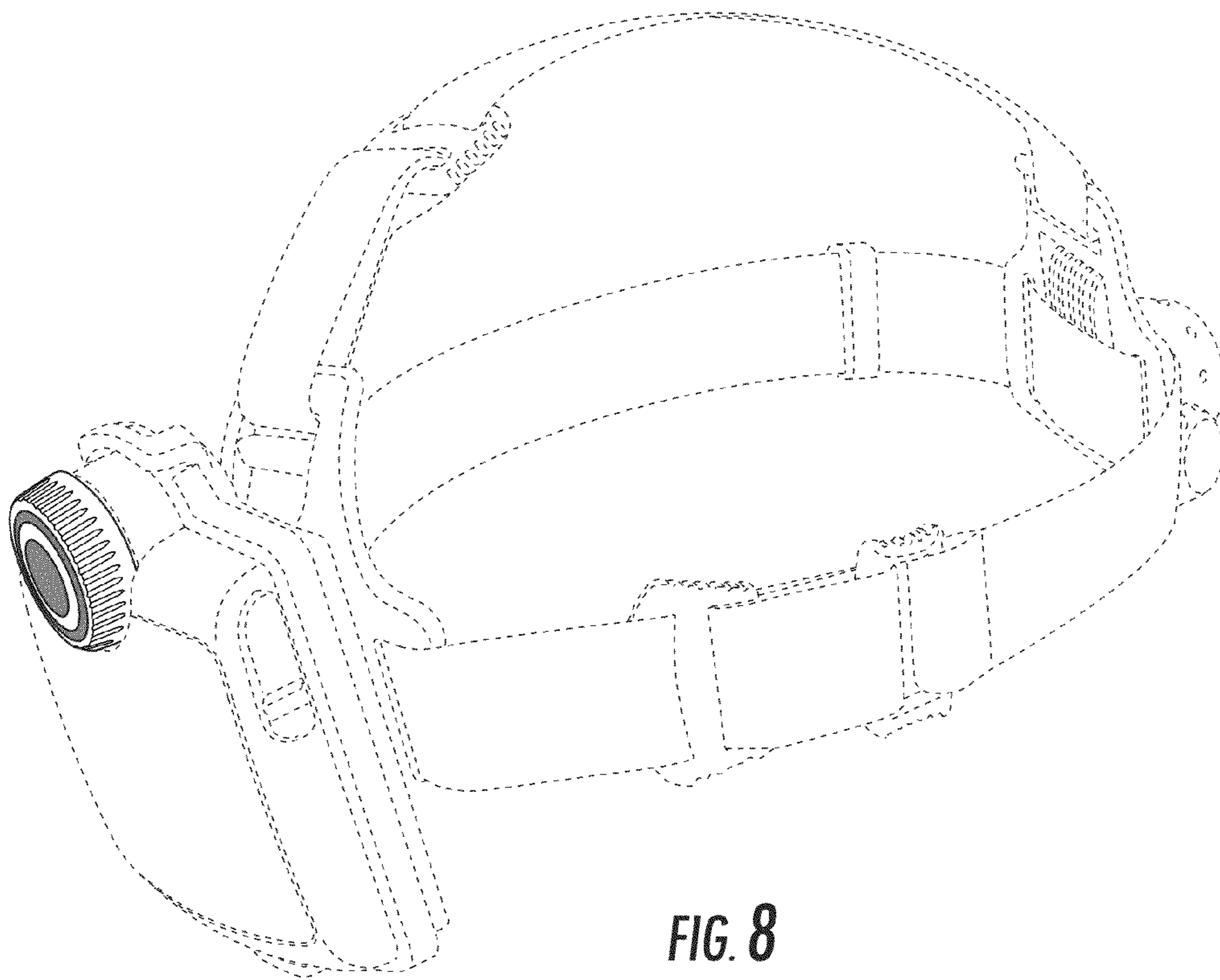


FIG. 8

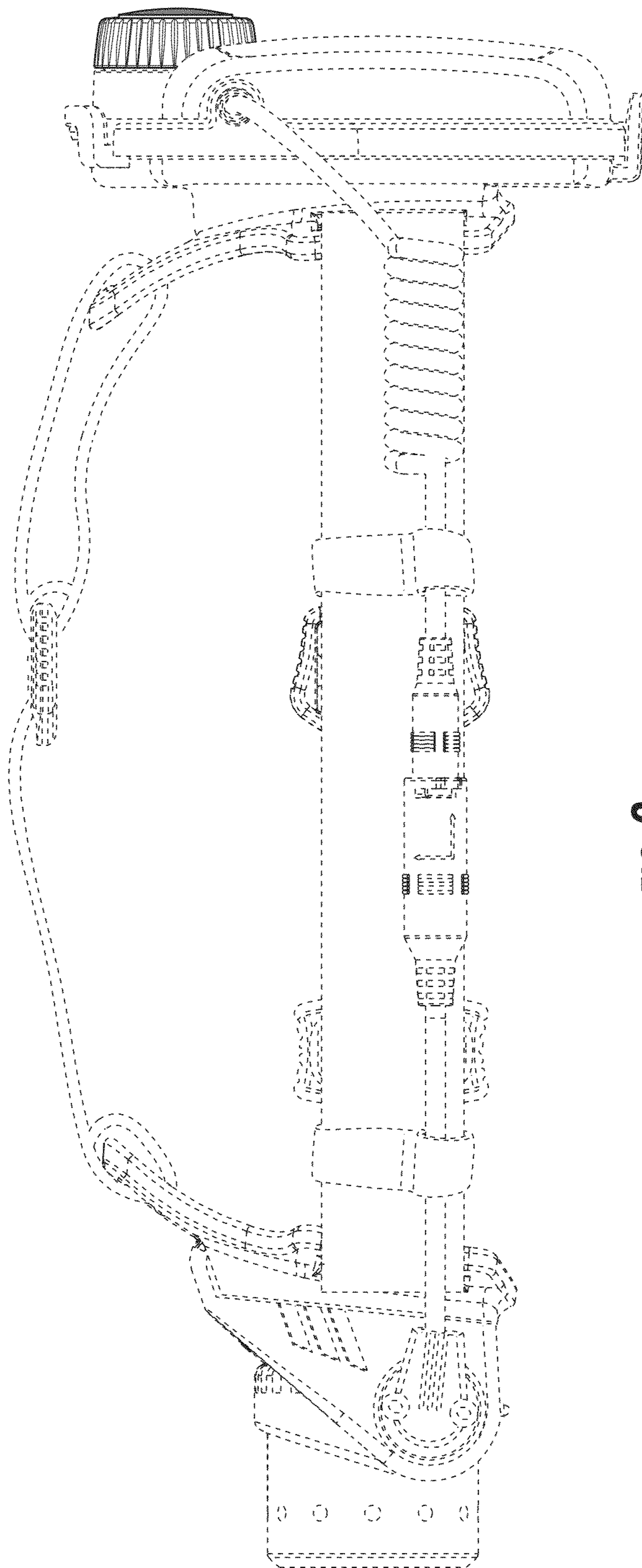


FIG. 9

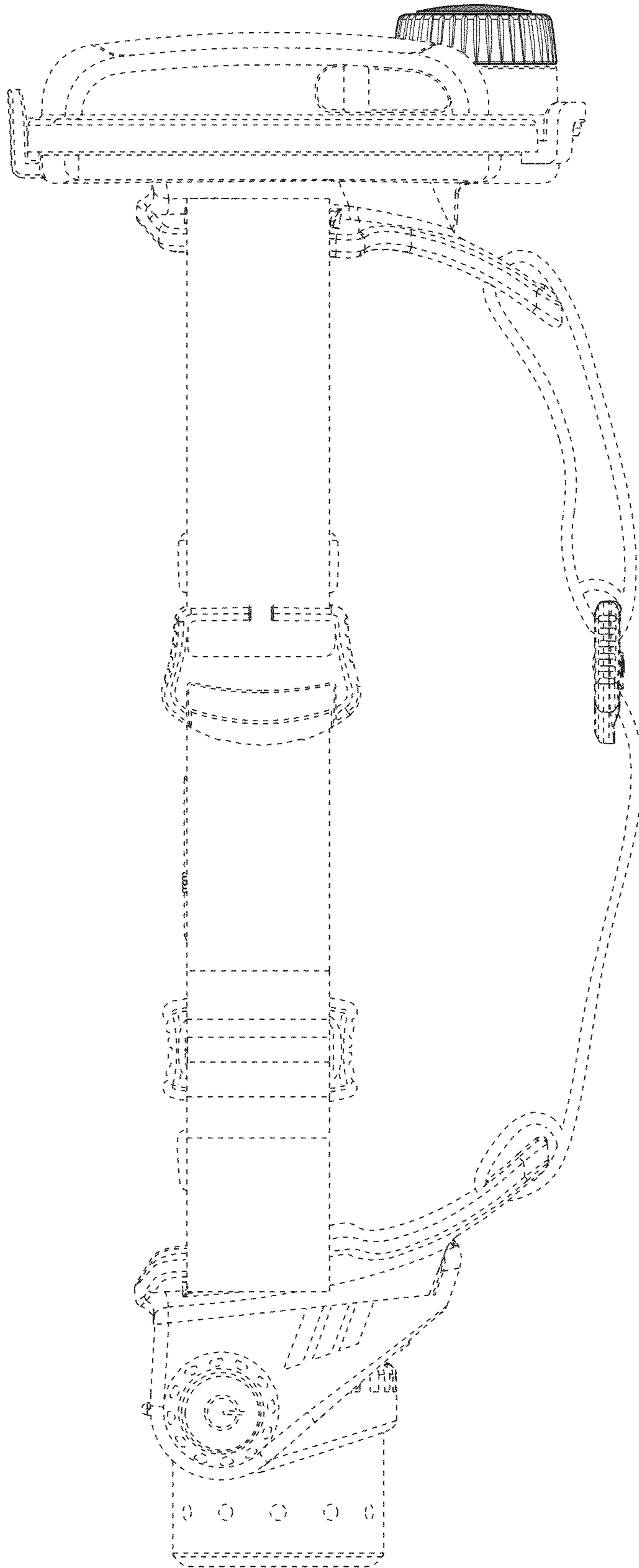
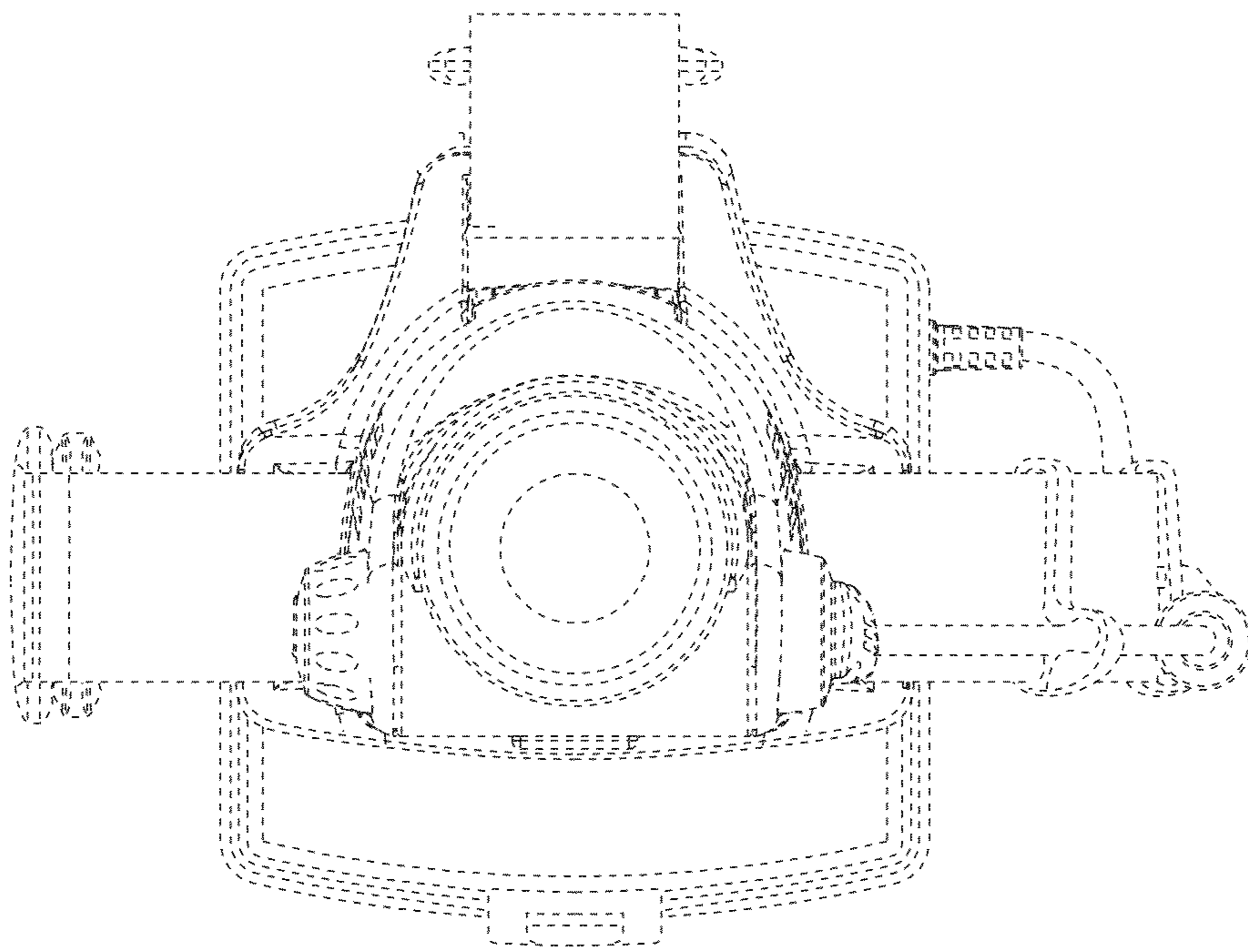


FIG. 10



**FIG. 11**



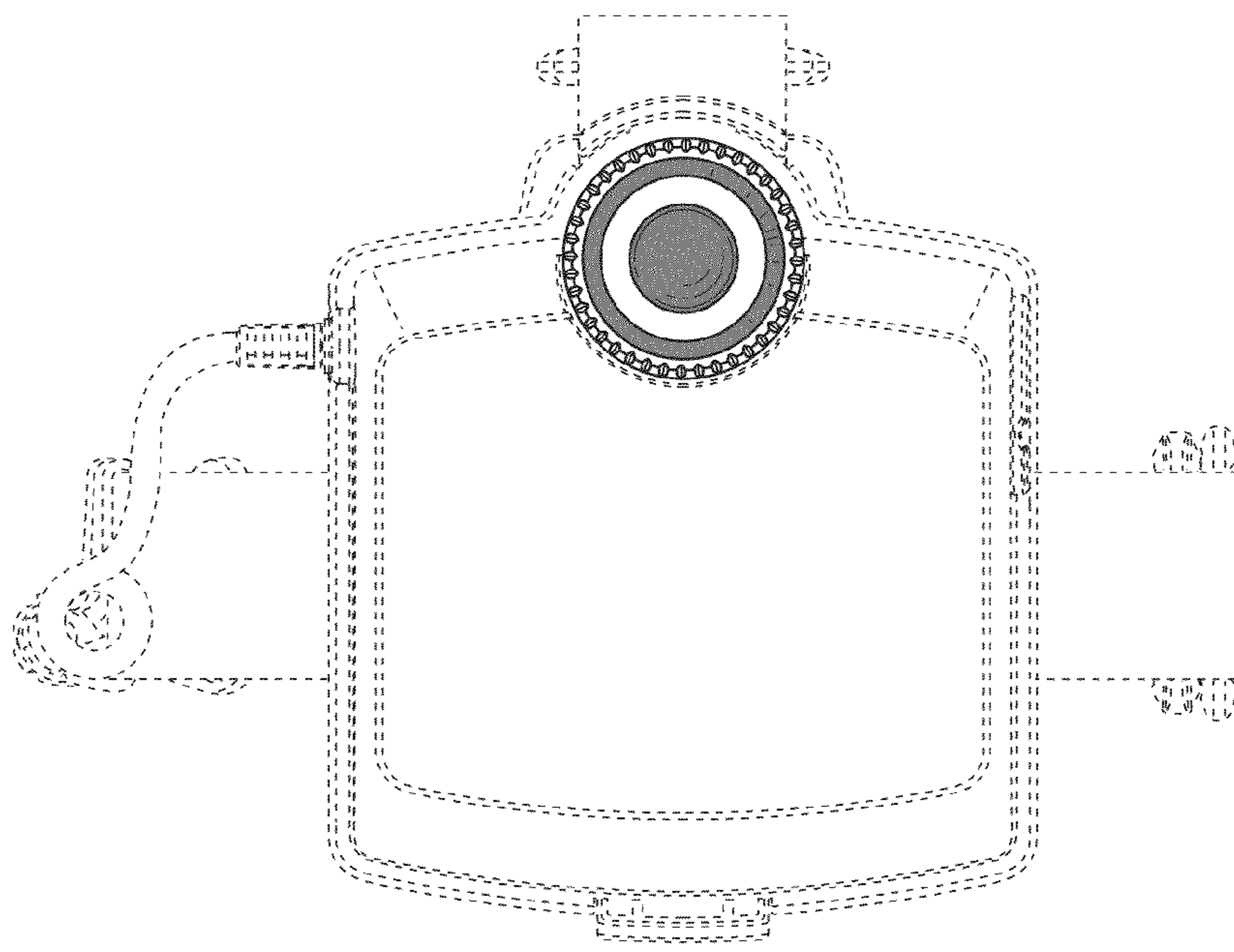


FIG. 12

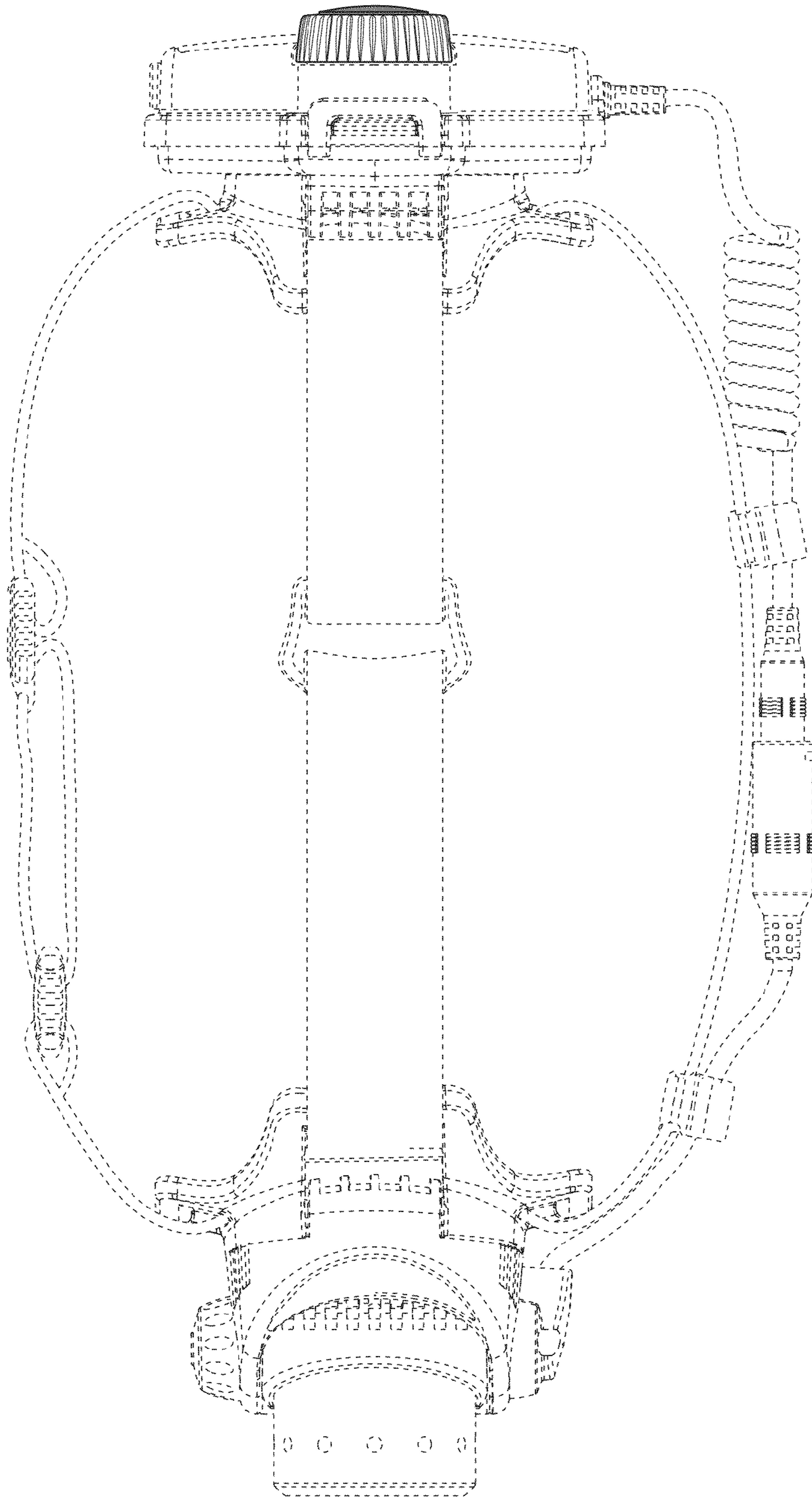


FIG. 13

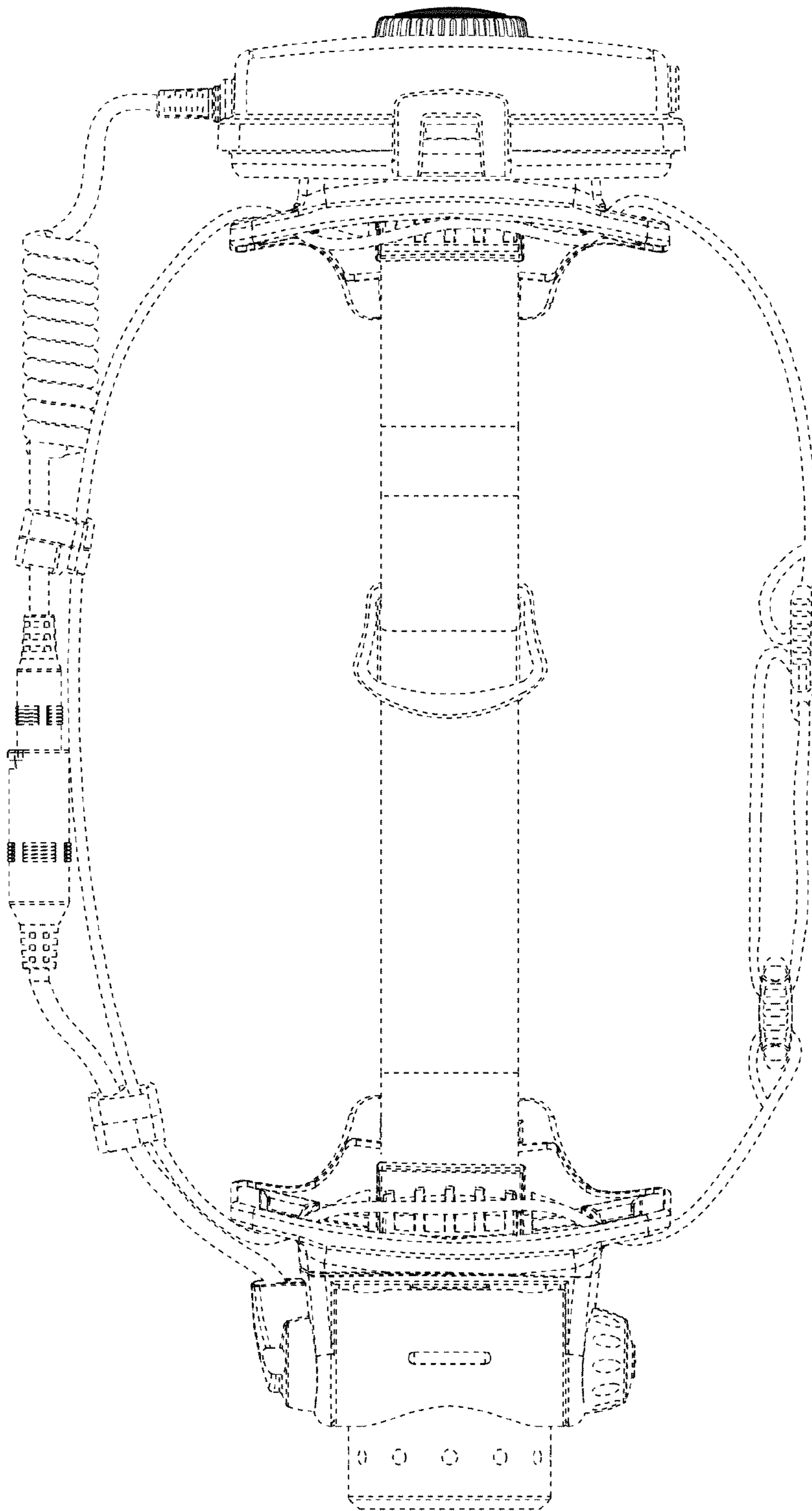


FIG. 14

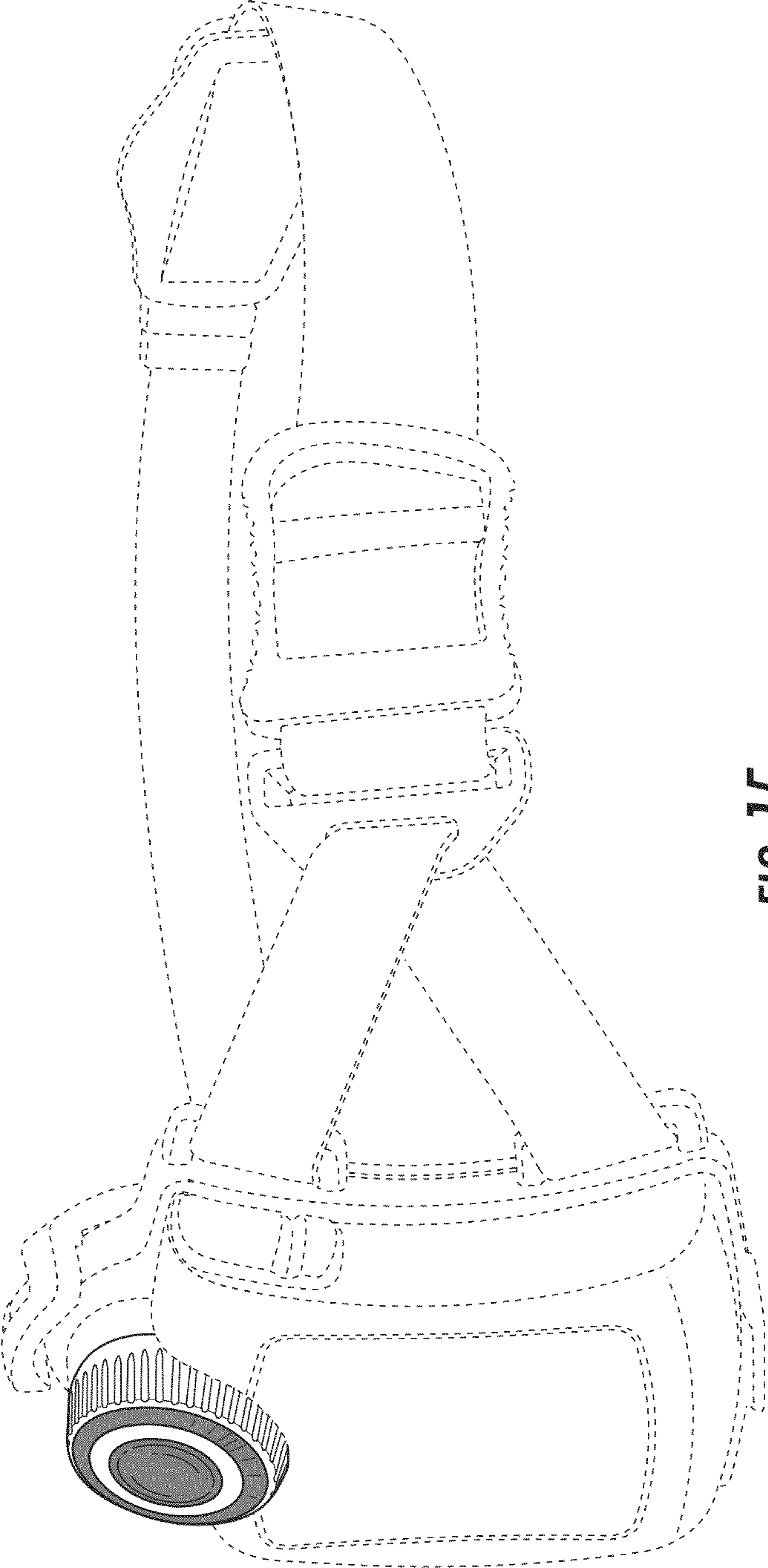


FIG. 15

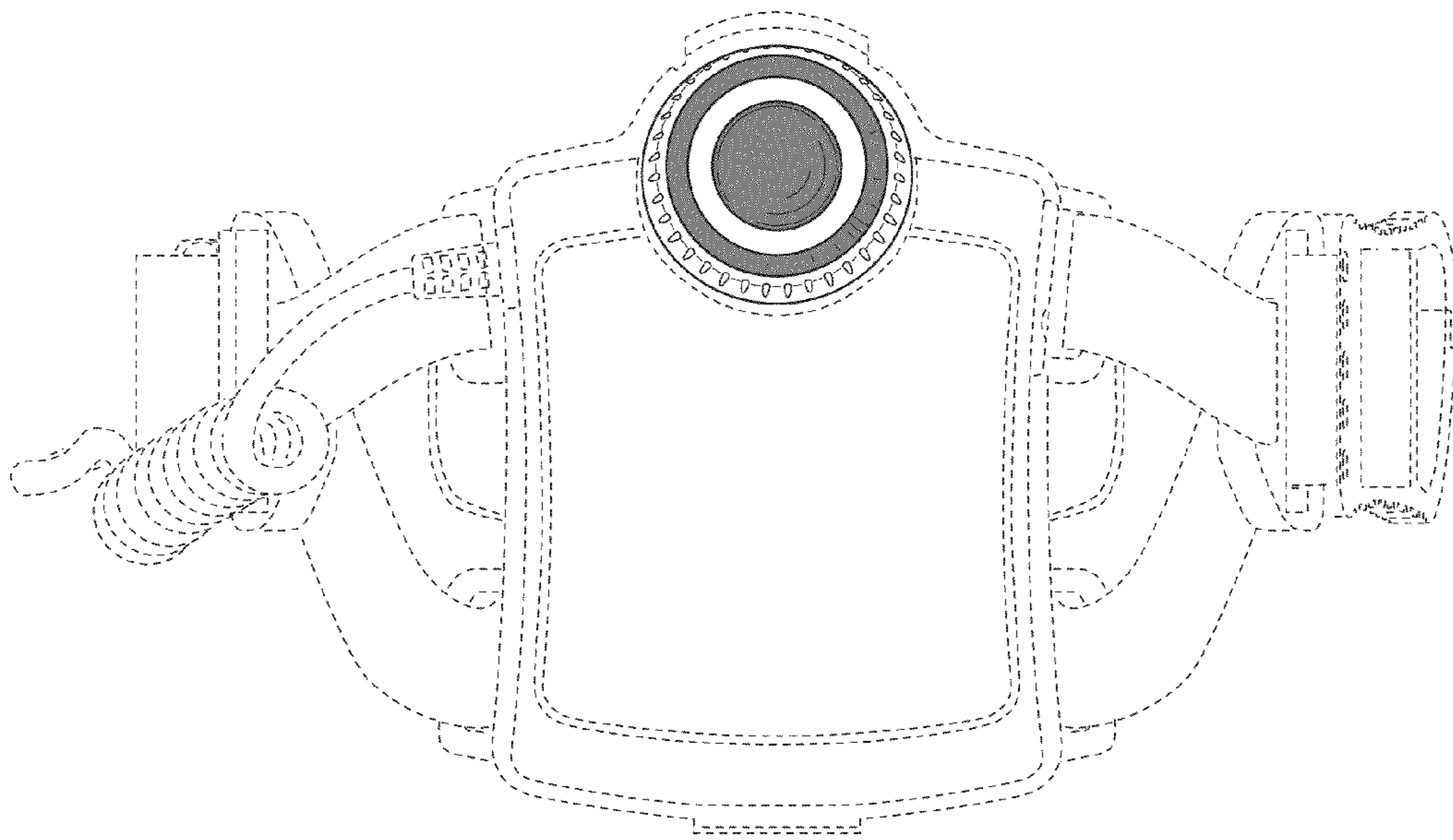
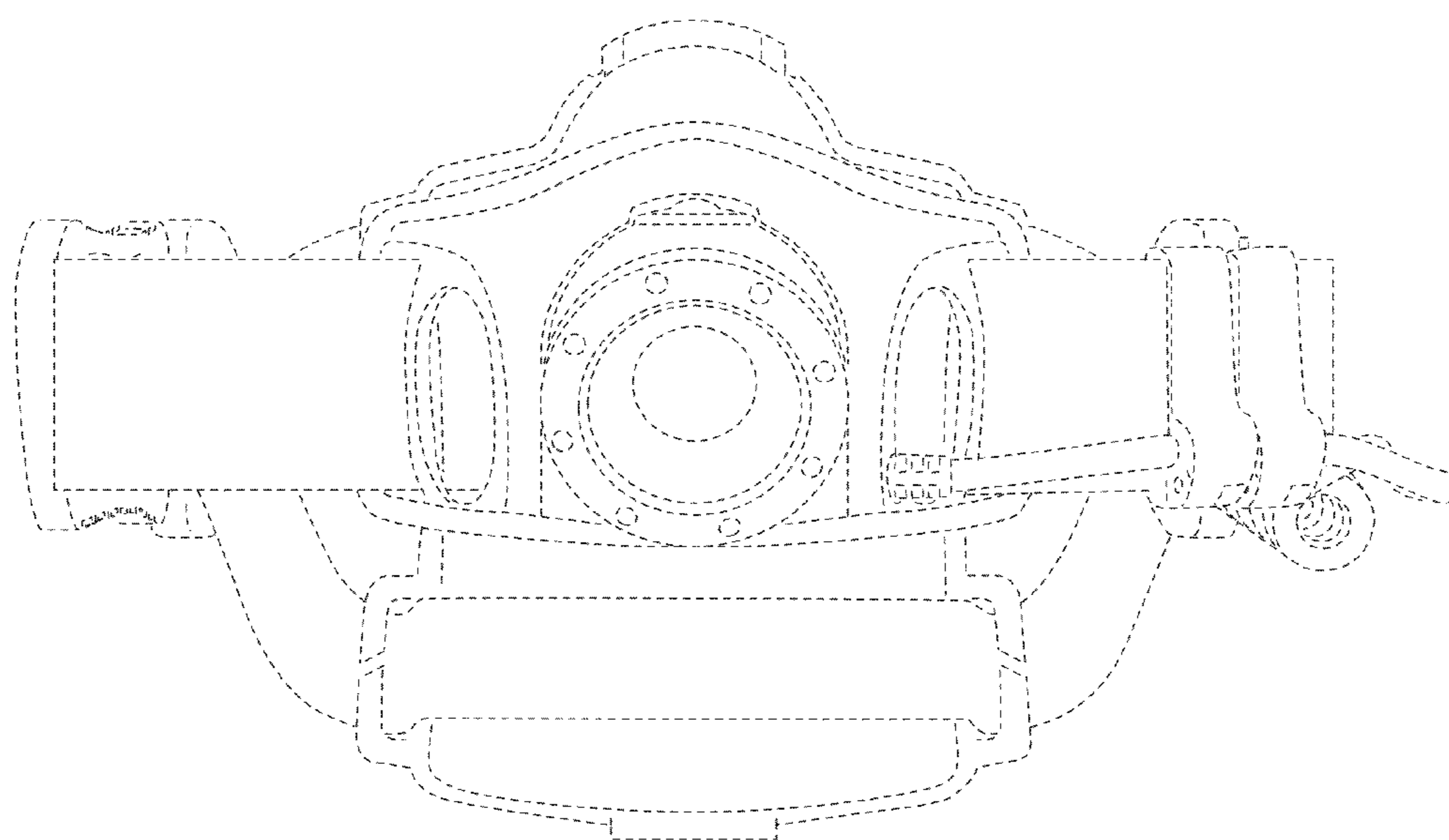


FIG. 16





**FIG. 17**

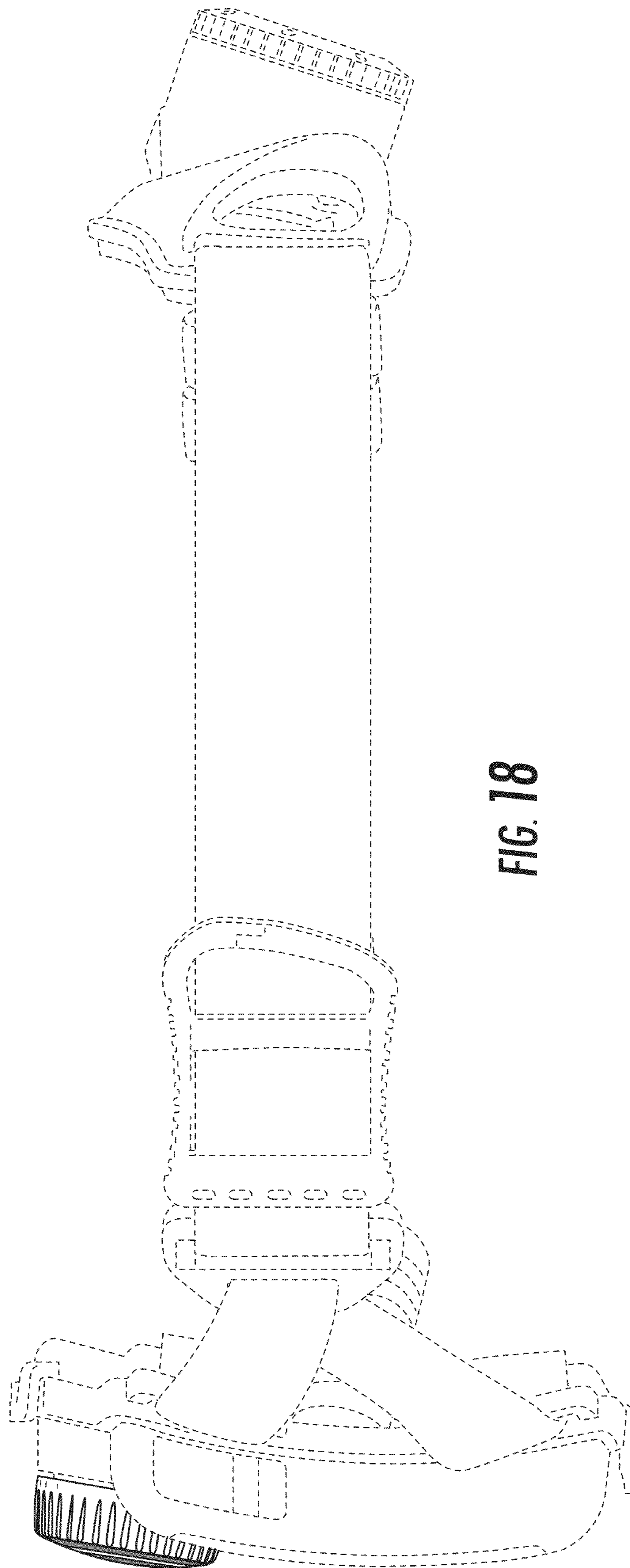


FIG. 18

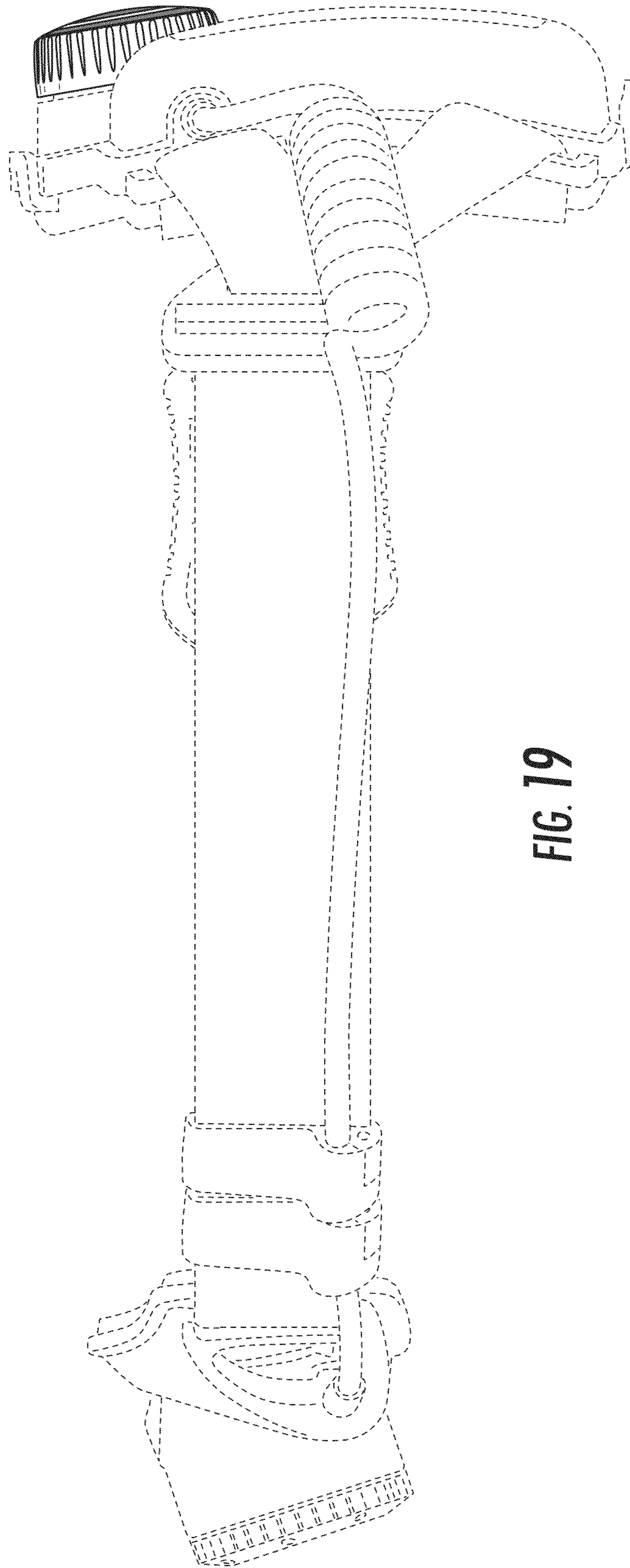


FIG. 19

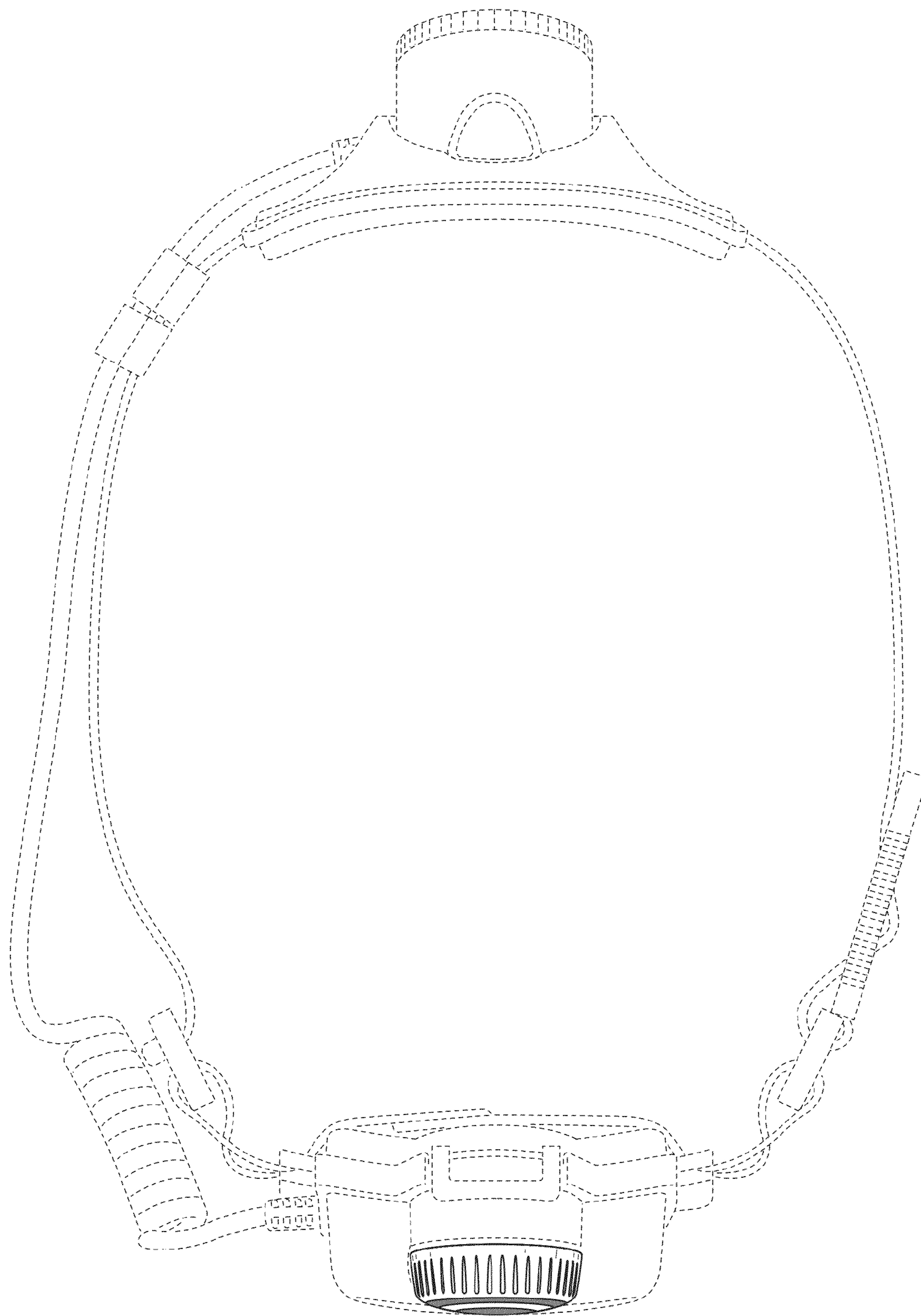


FIG. 20

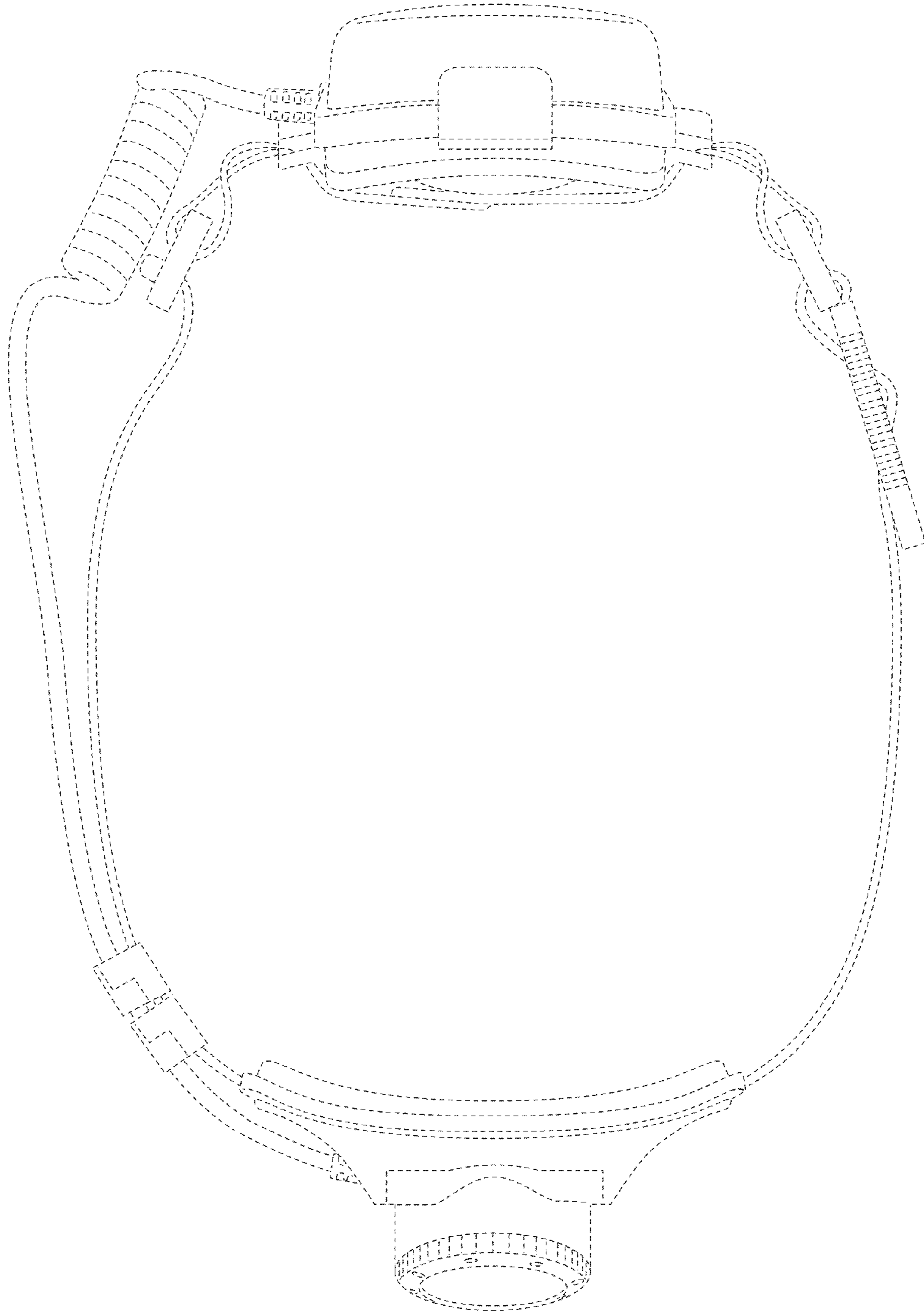


FIG. 21