



US00D707874S

(12) **United States Design Patent**
Sieberth et al.

(10) **Patent No.:** **US D707,874 S**
(45) **Date of Patent:** **** Jun. 24, 2014**

- (54) **LINEAR LIGHTING FIXTURE**
- (71) Applicant: **Cree, Inc.**, Durham, NC (US)
- (72) Inventors: **Bernd Sieberth**, Salem, WI (US);
Steven Patkus, Mount Pleasant, WI (US); **Brian Kinnune**, Racine, WI (US)
- (73) Assignee: **Cree, Inc.**, Durham, NC (US)
- (**) Term: **14 Years**
- (21) Appl. No.: **29/449,921**
- (22) Filed: **Mar. 15, 2013**
- (51) **LOC (10) Cl.** **26-03**
- (52) **U.S. Cl.**
USPC **D26/87**; D26/76
- (58) **Field of Classification Search**
CPC F21S 4/00; F21S 8/00; F21W 2131/3005;
F21W 2131/304; F21W 2131/308; F21W
2131/405
USPC D26/51, 56, 72, 75-78, 80, 92, 118;
362/98, 147, 217.01, 218, 219, 222,
362/223, 260, 294, 373
See application file for complete search history.

(56) **References Cited**

U.S. PATENT DOCUMENTS

D104,033	S	*	4/1937	Kanter	D26/85
D117,301	S	*	10/1939	Welch	D26/78
D150,745	S	*	8/1948	Winkler et al.	D26/77
D158,803	S	*	5/1950	Russell	D26/76
D203,060	S	*	11/1965	Schaefer	D26/76
D231,942	S	*	6/1974	Cincotta	D26/75
D238,296	S	*	12/1975	Trimarchi	D26/78
D278,555	S	*	4/1985	Cummings	D26/75
4,942,271	A		7/1990	Corsi et al.		
D348,946	S	*	7/1994	Watters et al.	D26/76
D400,899	S	*	11/1998	Simms	D26/78
D421,815	S	*	3/2000	Herst et al.	D26/76

D432,696	S	*	10/2000	Ford	D26/76
6,135,613	A		10/2000	Bodell et al.		
6,182,848	B1		2/2001	Wang		
6,332,597	B1		12/2001	Korcz et al.		
6,347,715	B1		2/2002	Drozdenko et al.		
6,348,686	B1		2/2002	Howard et al.		
D457,498	S		5/2002	Birnbaum		
6,461,026	B1		10/2002	Wang		
6,484,360	B1		11/2002	DeBartolo, Jr. et al.		
D468,473	S	*	1/2003	Shemitz et al.	D26/76
6,525,890	B1		2/2003	Wang et al.		
6,796,676	B2		9/2004	Severtson et al.		
D523,165	S		6/2006	Schultz		
7,083,308	B2		8/2006	Kenyon et al.		

(Continued)

Primary Examiner — Clare E Heflin

(74) *Attorney, Agent, or Firm* — McCracken & Frank LLC

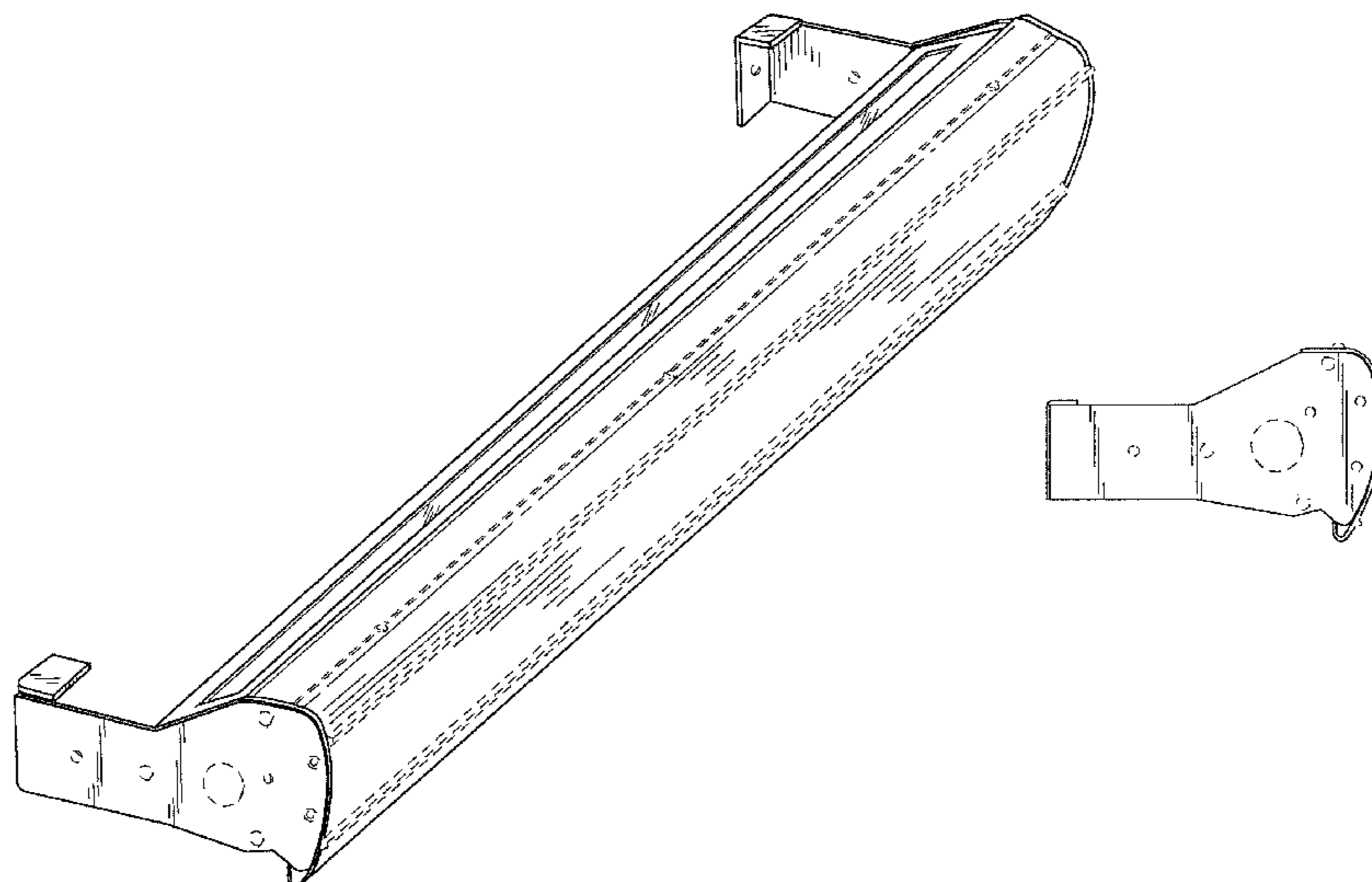
(57) **CLAIM**

The ornamental design for a linear lighting fixture, as shown and described.

DESCRIPTION

FIG. 1 is an isometric view of a top, front, and left side of an ornamental design for a linear lighting fixture;
 FIG. 2 is a front elevational view of the linear lighting fixture of FIG. 1;
 FIG. 3 is a rear elevational view of the linear lighting fixture of FIG. 1;
 FIG. 4 is a top plan view of the linear lighting fixture of FIG. 1;
 FIG. 5 is a bottom plan view of the linear lighting fixture of FIG. 1;
 FIG. 6 is a left side elevational view of the linear lighting fixture of FIG. 1; and,
 FIG. 7 is a right side elevational view of the linear lighting fixture of FIG. 1.
 The broken lines are for the purpose of illustrating environmental structure and form no part of the claimed design.

1 Claim, 3 Drawing Sheets



(56)

References Cited

U.S. PATENT DOCUMENTS

7,147,348 B2	12/2006	Heaton et al.		D637,338 S	5/2011	Kong et al.	
7,175,312 B2	2/2007	Fowler, Jr.		7,946,738 B2	5/2011	Fowler, Jr. et al.	
D543,305 S *	5/2007	Wang	D26/75	7,976,193 B2	7/2011	Klein et al.	
7,252,415 B2	8/2007	Wang		D643,960 S	8/2011	Waldmann	
D550,885 S	9/2007	Crosby		D649,264 S	11/2011	Brabeck et al.	
D553,287 S *	10/2007	Miller	D26/75	8,070,314 B2 *	12/2011	St. Ives et al.	362/217.13
D607,599 S	1/2010	Zhou et al.		8,092,040 B2	1/2012	Wu et al.	
D627,914 S *	11/2010	Couture	D26/76	8,142,048 B2	3/2012	Risley, Sr.	
D633,642 S *	3/2011	Wauters	D26/85	D659,880 S *	5/2012	Maxik et al.	D26/80
D635,290 S	3/2011	Hsu et al.		D667,585 S *	9/2012	Yamazaki et al.	D26/80
				D673,720 S	1/2013	Bailey et al.	
				2010/0103686 A1	4/2010	Fowler, Jr. et al.	
				2012/0087188 A1	4/2012	Hsieh et al.	

* cited by examiner

FIG. 1

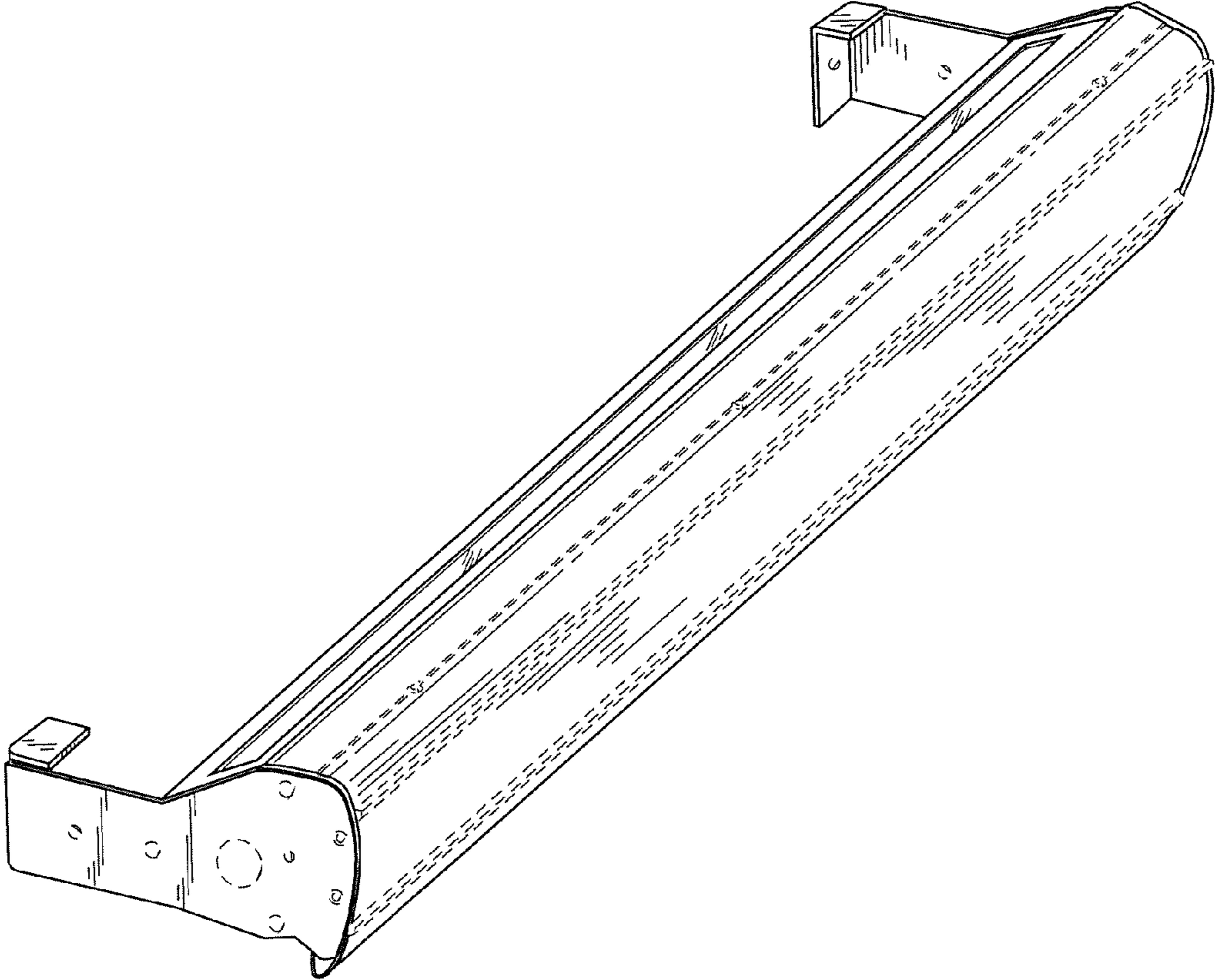


FIG. 2

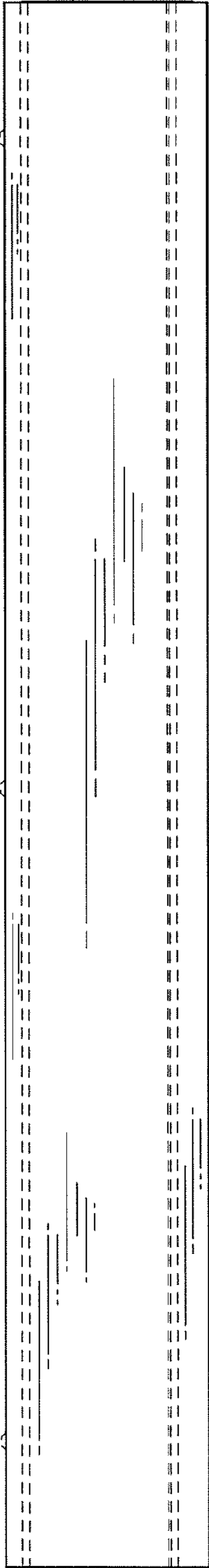


FIG. 3

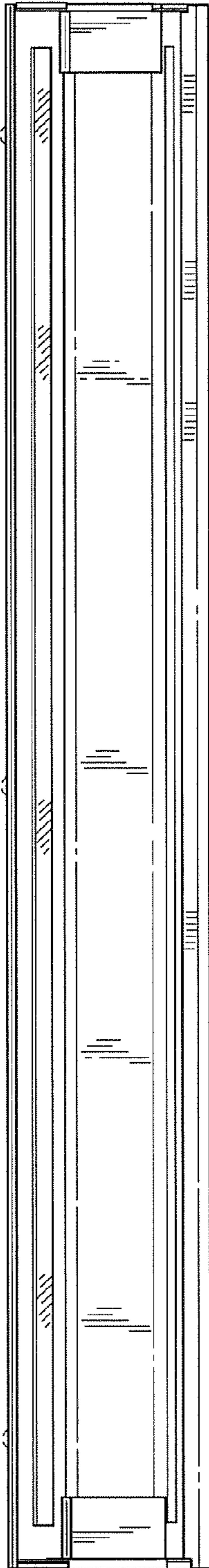
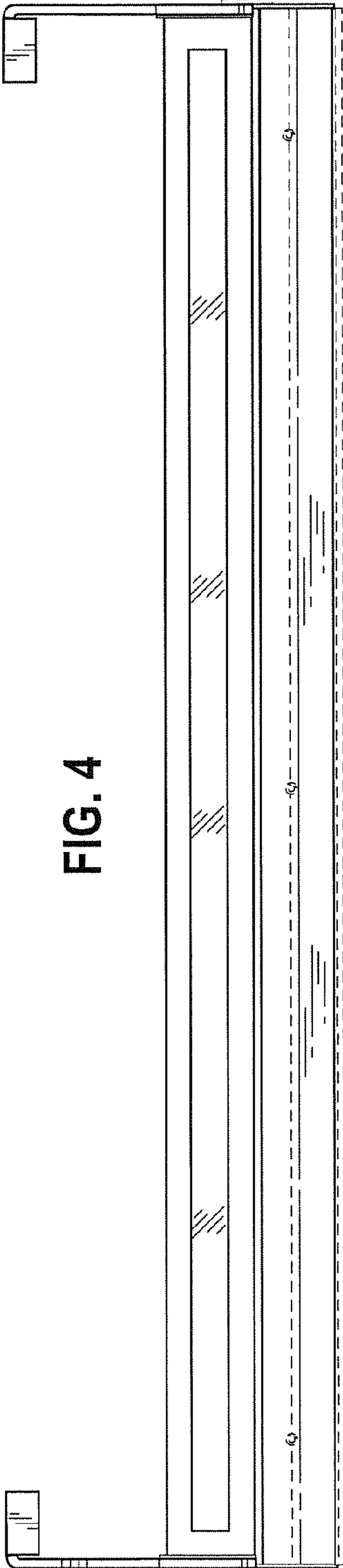


FIG. 4



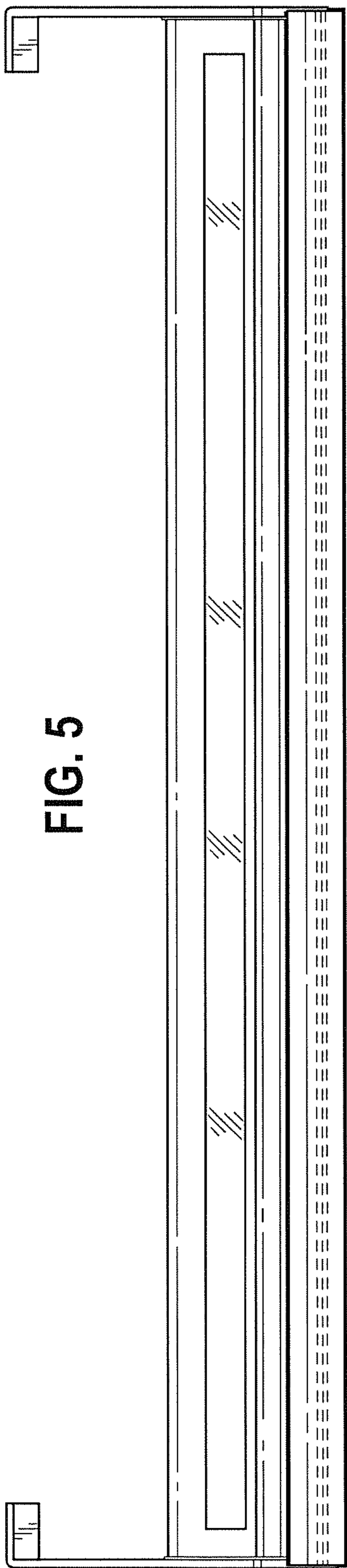


FIG. 5

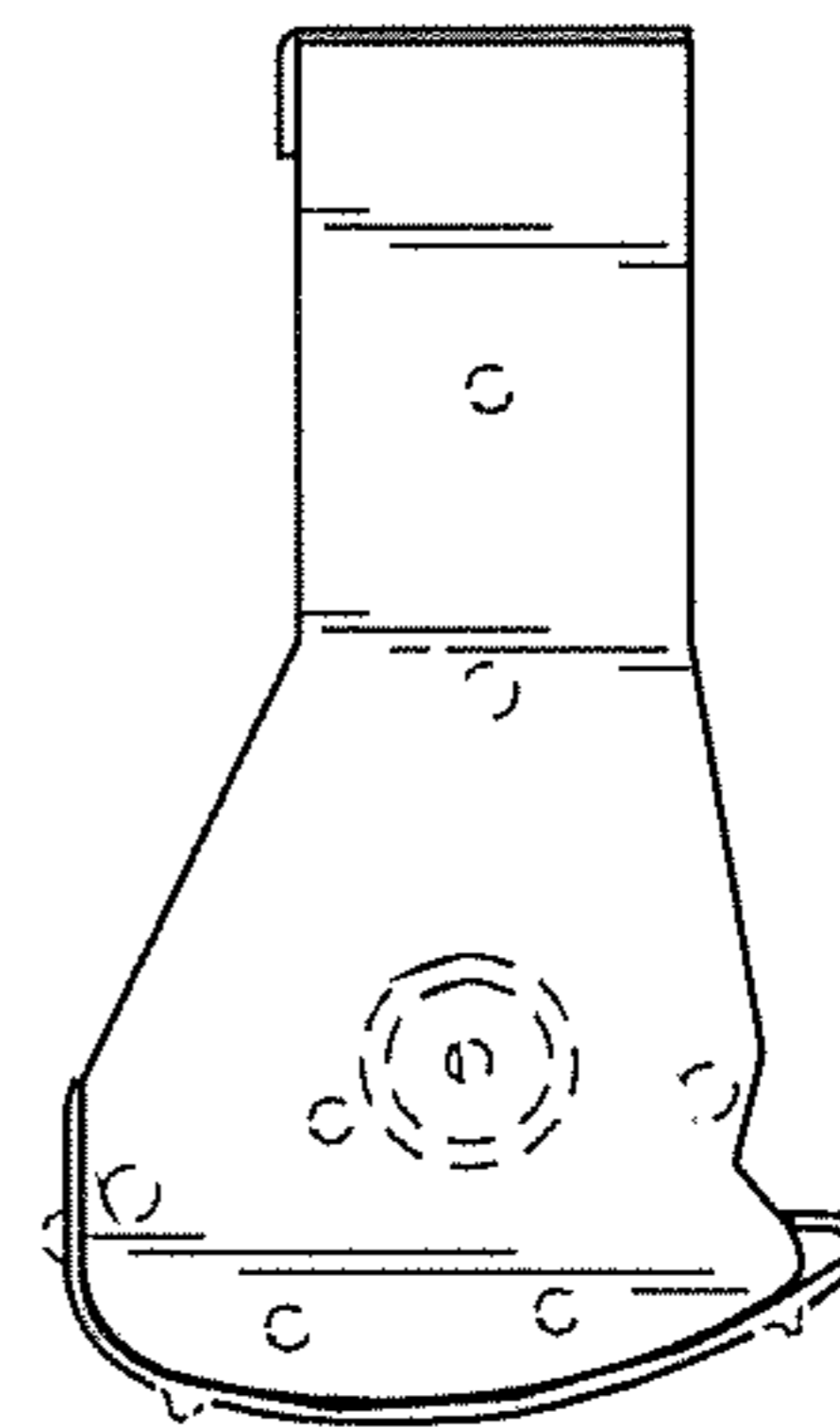


FIG. 7

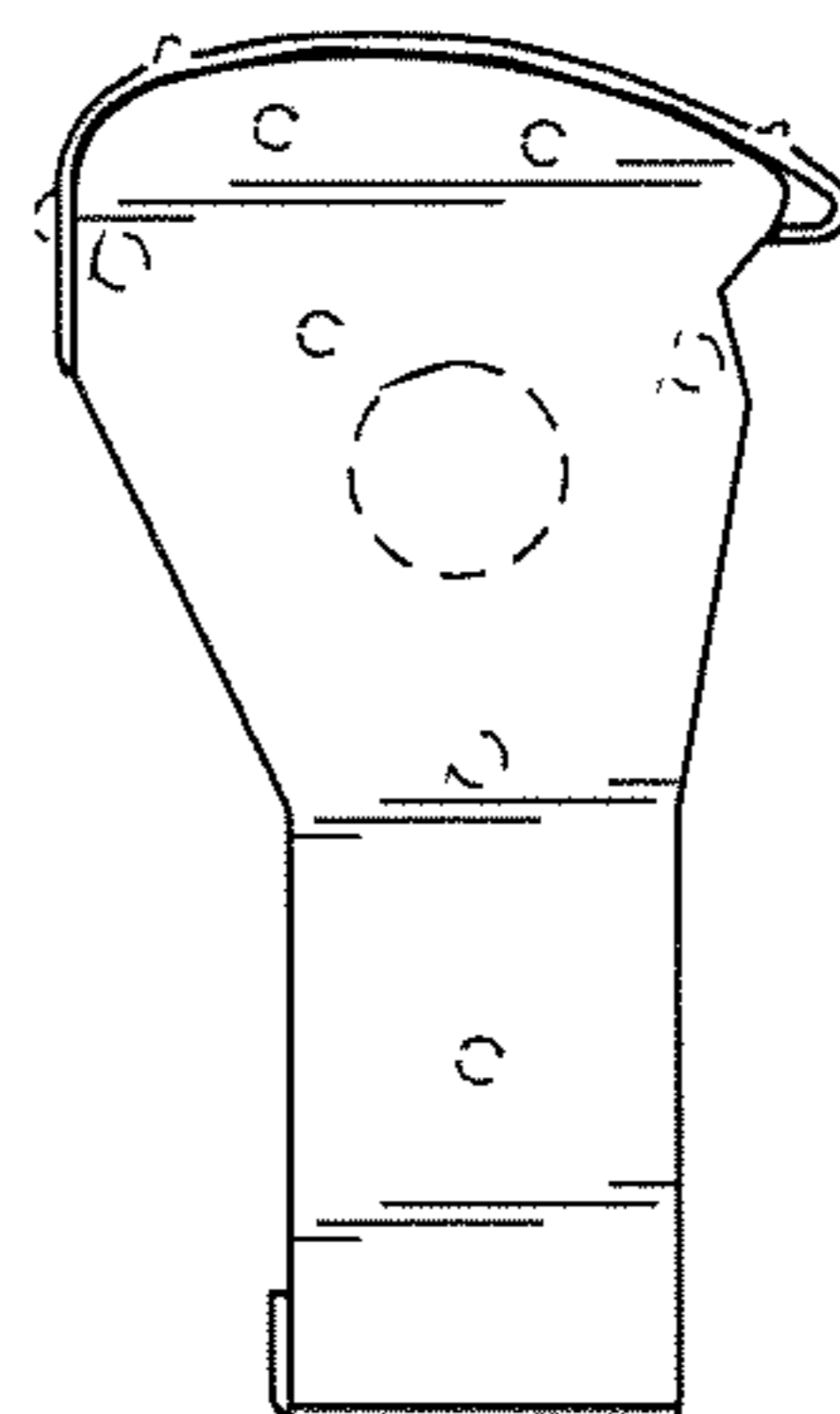


FIG. 6