



US00D707870S

(12) **United States Design Patent**
Hodgson

(10) **Patent No.:** **US D707,870 S**
(45) **Date of Patent:** **** Jun. 24, 2014**

(54) **ARTISTS LAMP**

(56) **References Cited**

(71) Applicant: **The Daylight Company (Holdings) Limited**, London (GB)

U.S. PATENT DOCUMENTS

(72) Inventor: **Fraser Hodgson**, London (GB)

D385,052	S	*	10/1997	Huang	D26/60
D386,272	S	*	11/1997	Brown	D26/62
D392,404	S	*	3/1998	Brown	D26/62
D525,381	S	*	7/2006	Hodgson	D26/60
D590,534	S	*	4/2009	Levine	D26/62
D617,026	S	*	6/2010	Huang	D26/62
D641,902	S	*	7/2011	Chan	D26/60
D671,665	S	*	11/2012	Mish et al.	D26/60

(73) Assignee: **The Daylight Company (Holdings) Ltd.** (GB)

(**) Term: **14 Years**

* cited by examiner

(21) Appl. No.: **29/460,358**

Primary Examiner — Susan E Krakower

Assistant Examiner — Linda Brooks

(22) Filed: **Jul. 10, 2013**

(74) *Attorney, Agent, or Firm* — Laubscher & Laubscher, PC

(30) **Foreign Application Priority Data**

(57) **CLAIM**

The ornamental design for an artist's lamp, as shown.

Jan. 24, 2013 (EM) 002172429-0001

DESCRIPTION

(51) **LOC (10) Cl.** **26-05**

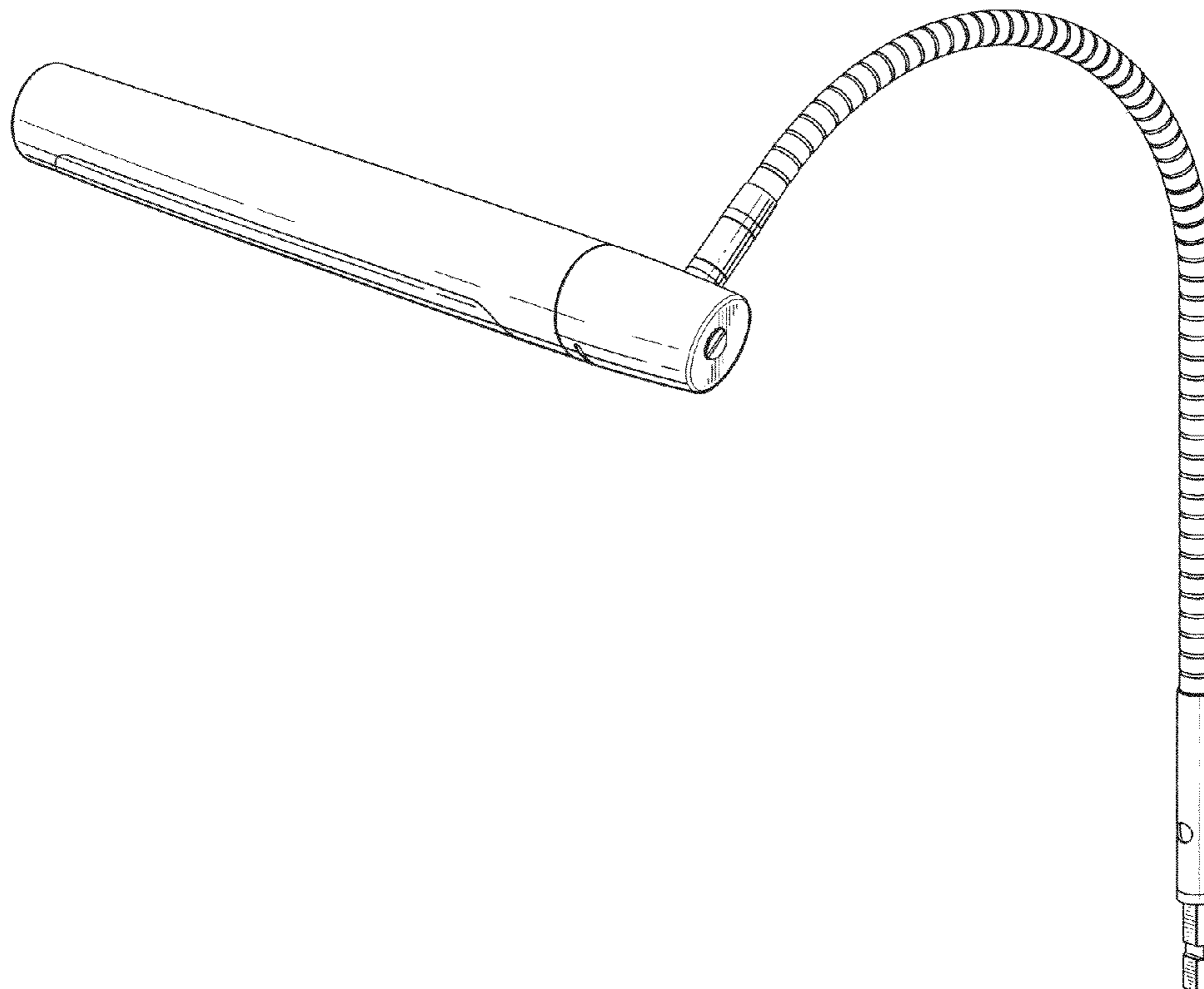
(52) **U.S. Cl.**
USPC **D26/62**

(58) **Field of Classification Search**
USPC D26/60, 62; 362/410-414, 267, 275,
362/277, 287, 418, 419, 427

FIG. 1 is a front perspective view thereof;
FIG. 2 is a front elevation view thereof;
FIG. 3 is a rear elevation view thereof;
FIG. 4 is a right elevation view thereof
FIG. 5 is a left elevation view thereof;
FIG. 6 is a top elevation view thereof; and,
FIG. 7 is a bottom elevation view thereof.

See application file for complete search history.

1 Claim, 7 Drawing Sheets



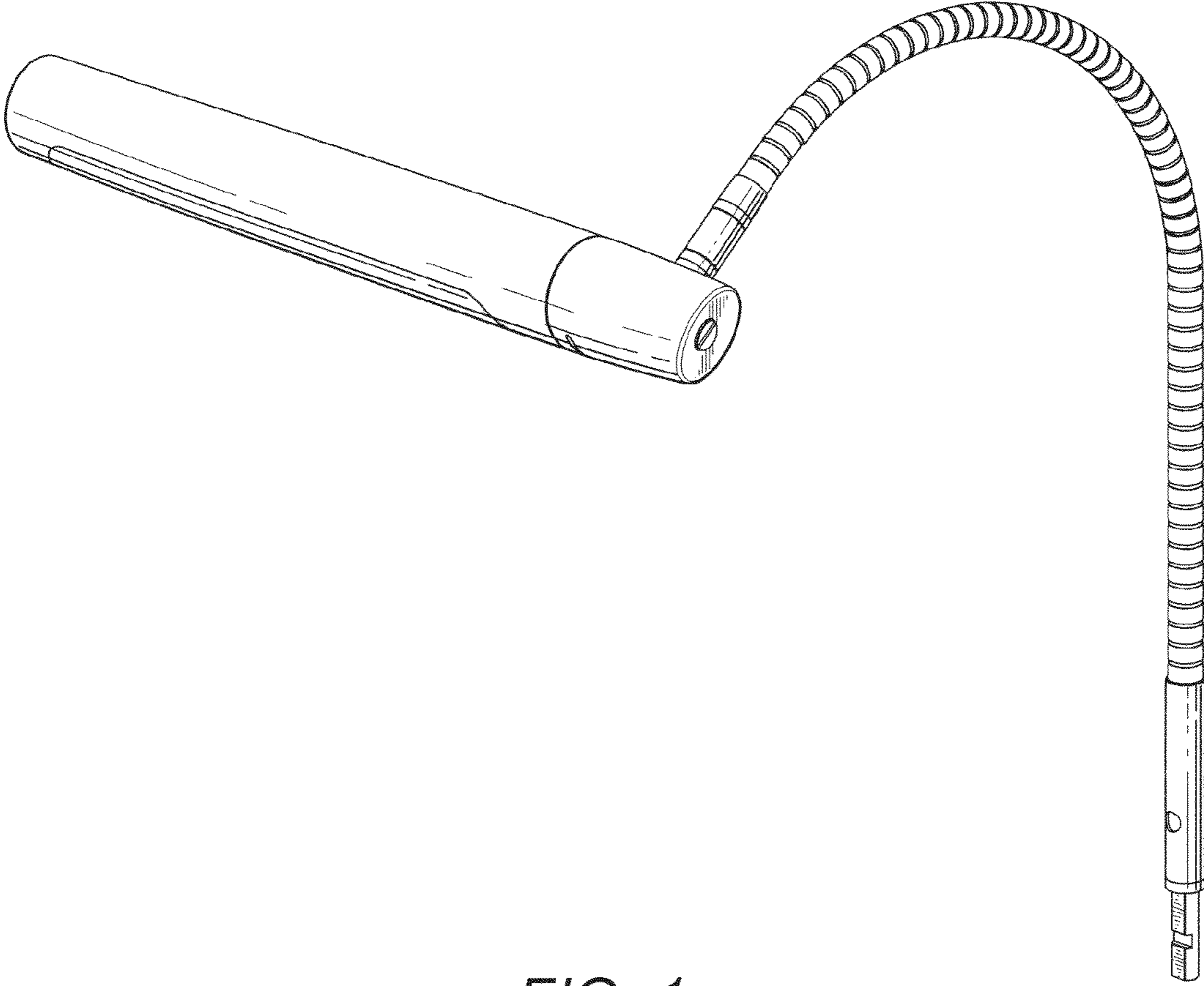


FIG. 1

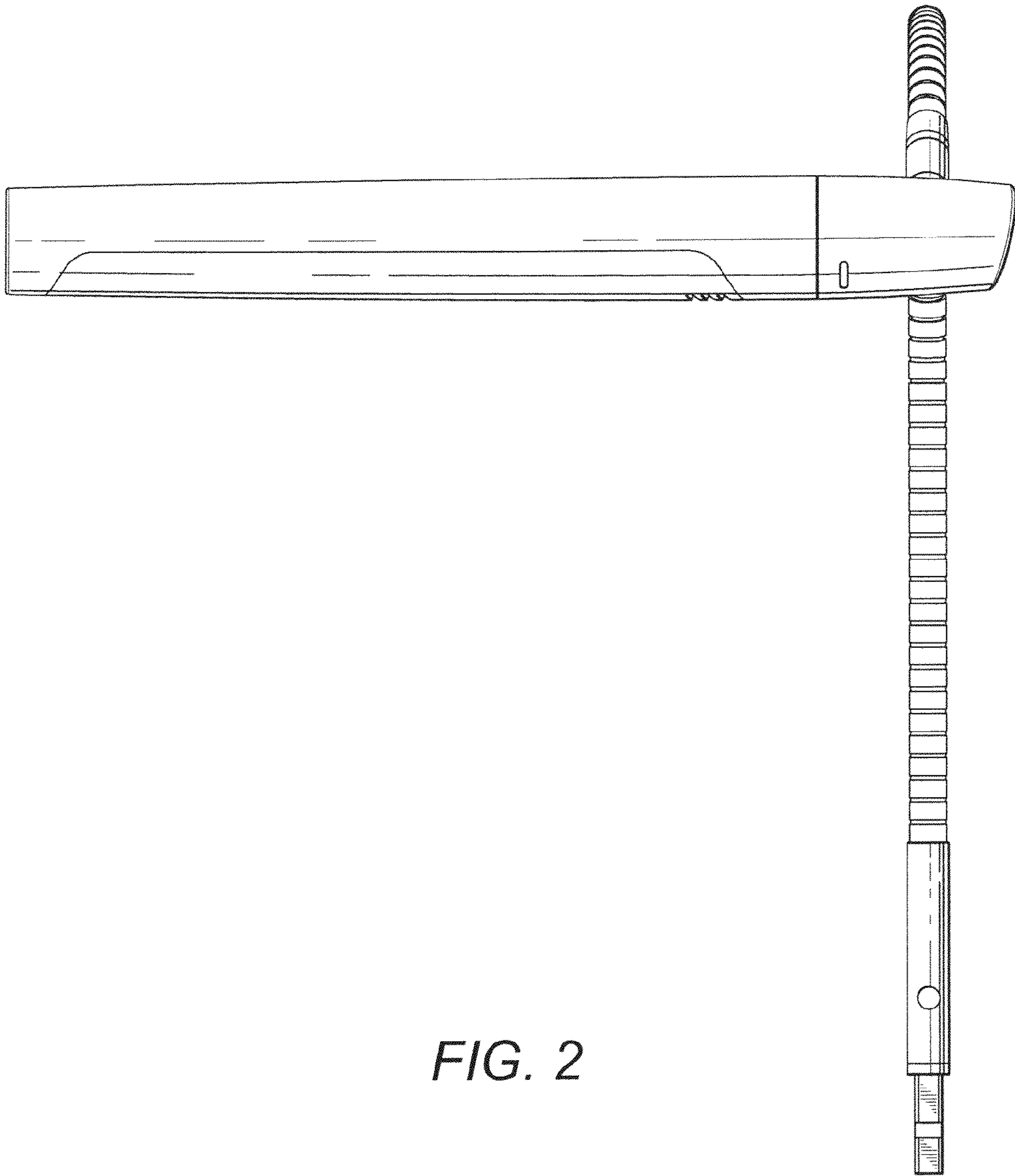


FIG. 2

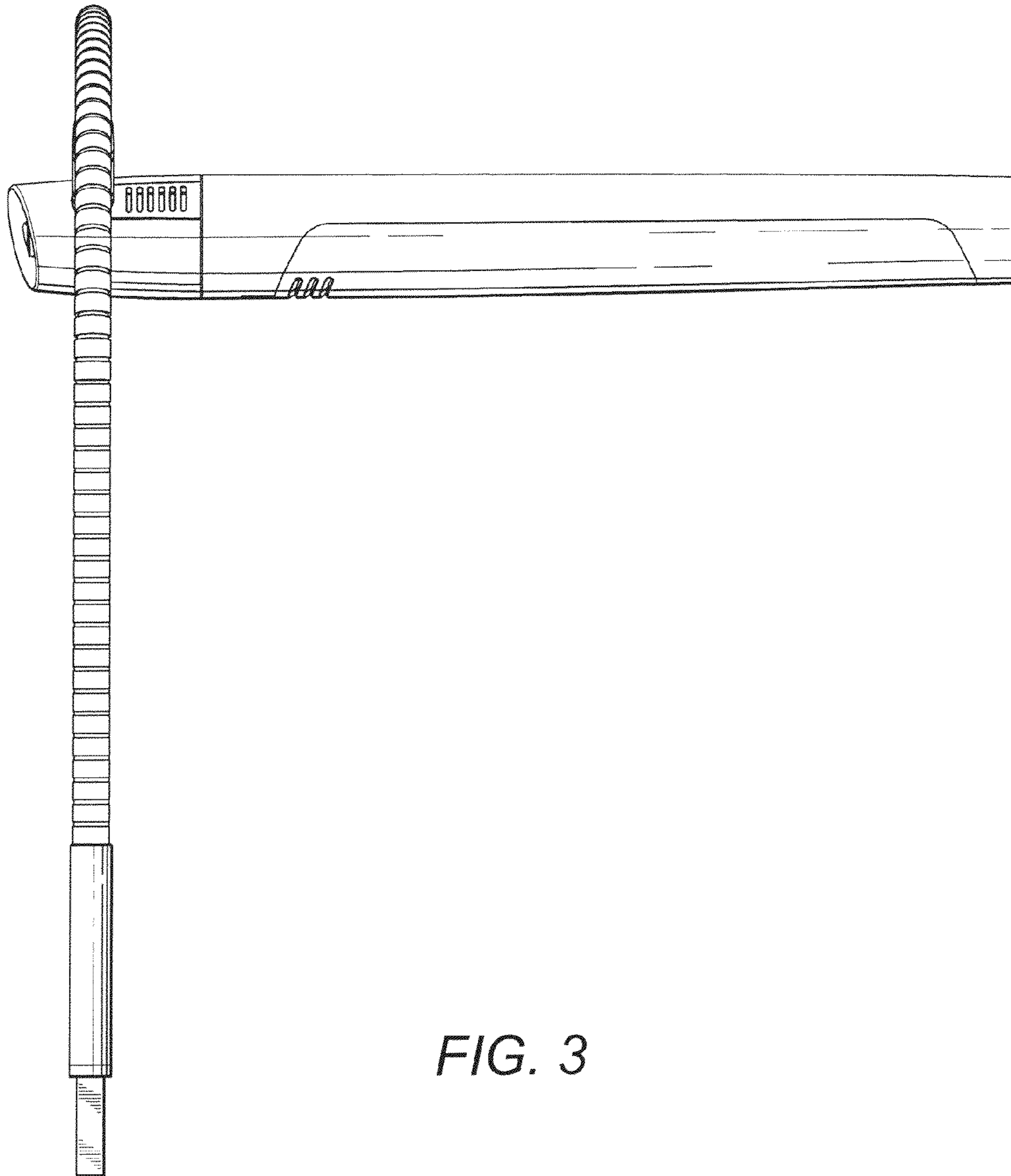


FIG. 3

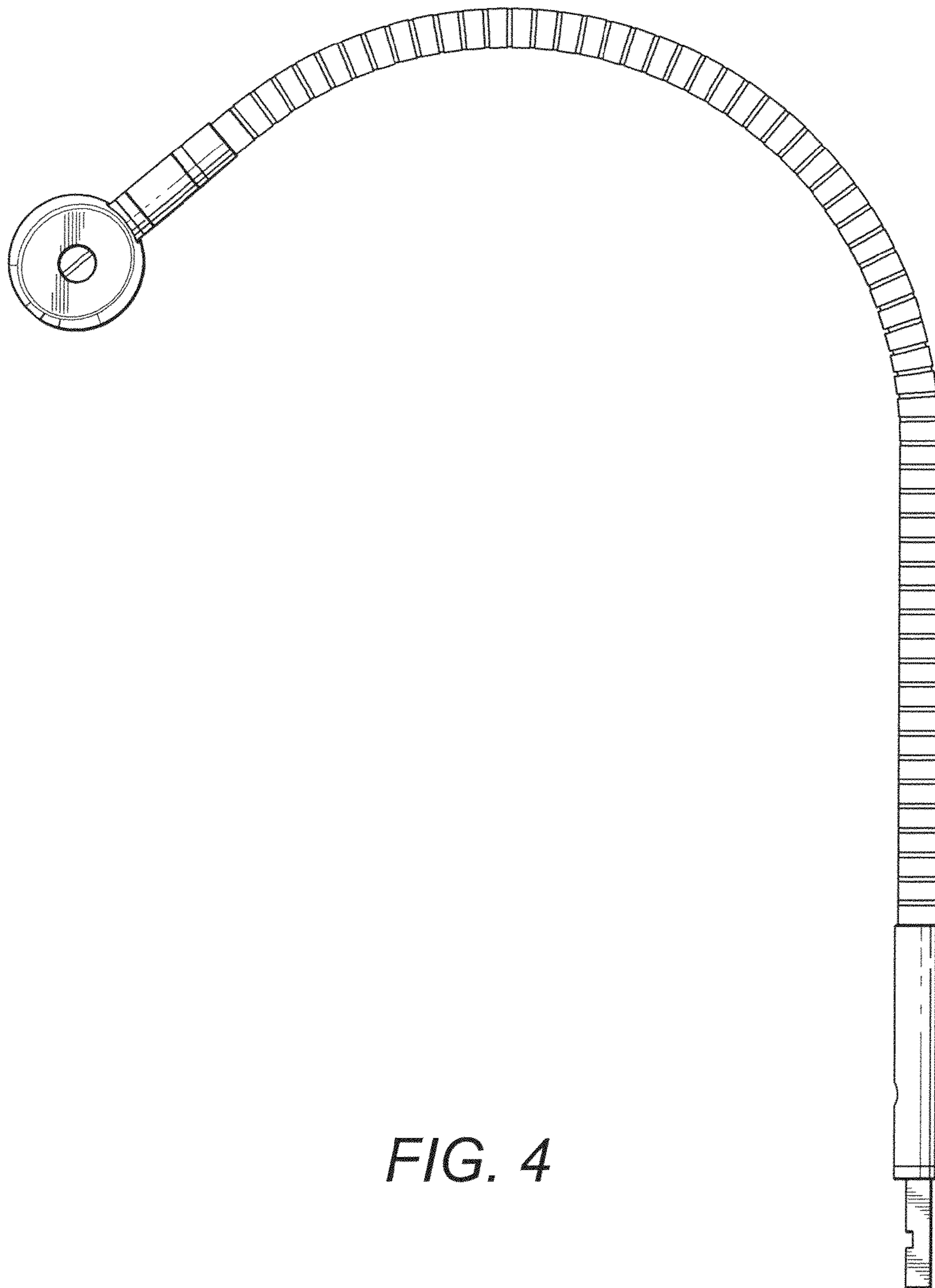


FIG. 4

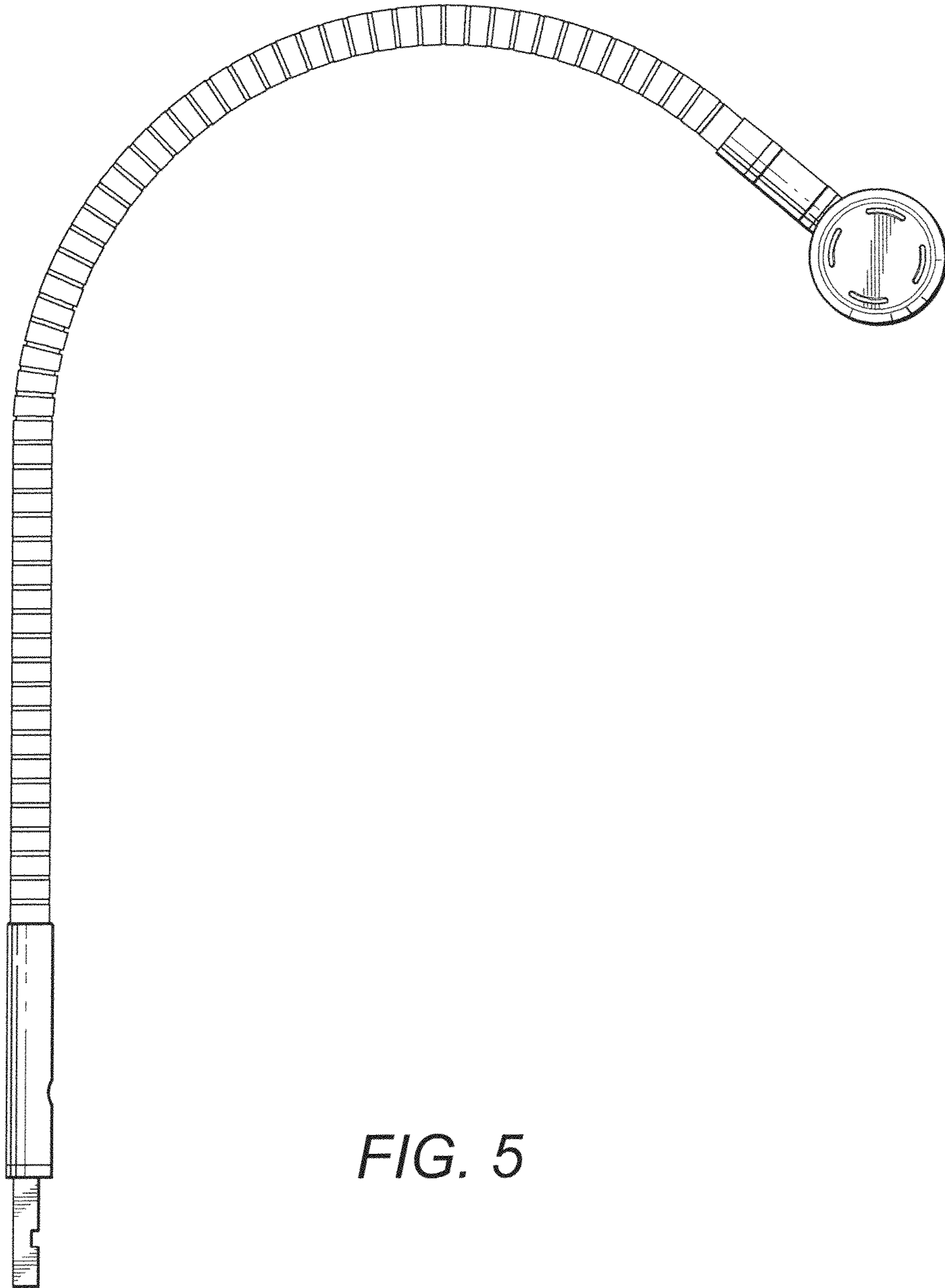


FIG. 5

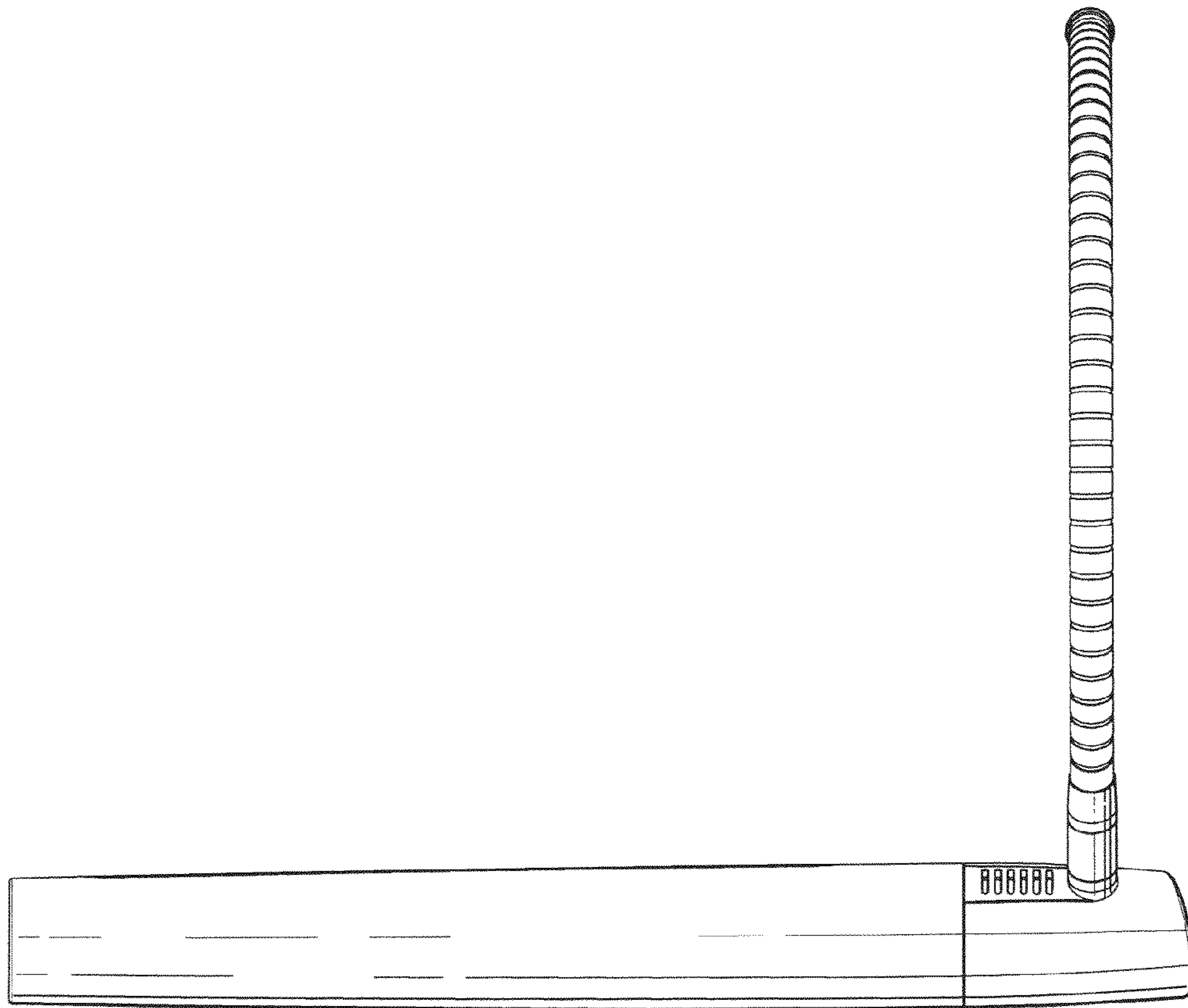


FIG. 6

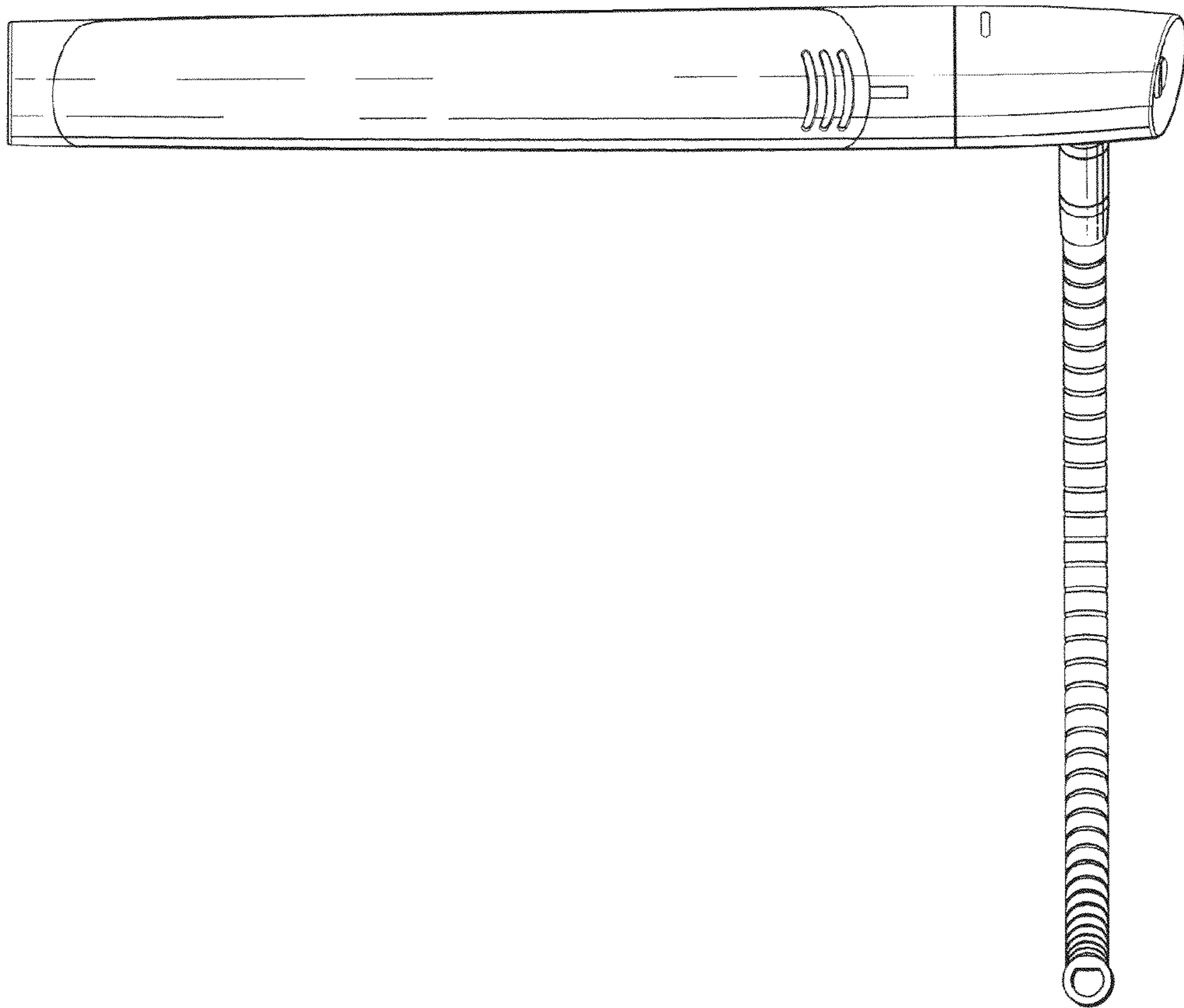


FIG. 7