



US00D707869S

(12) **United States Design Patent**
Wu

(10) **Patent No.:** **US D707,869 S**
(45) **Date of Patent:** **** Jun. 24, 2014**

(54) **FLASHLIGHT**

D687,990 S * 8/2013 Yeh D26/46
D687,991 S * 8/2013 Yeh D26/46
D687,996 S * 8/2013 Yeh D26/49

(75) Inventor: **Liuning Wu**, Ningbo (CN)

* cited by examiner

(73) Assignee: **Ningbo Worth International Trade Co., Ltd.**, Ningbo (CN)

Primary Examiner — Ian Simmons

Assistant Examiner — Carissa C Fitts

(**) Term: **14 Years**

(74) *Attorney, Agent, or Firm* — Thomas I. Rozsa

(21) Appl. No.: **29/429,328**

(57) **CLAIM**

The ornamental design for a flashlight, as shown and described.

(22) Filed: **Aug. 9, 2012**

(51) **LOC (10) Cl.** **26-02**

(52) **U.S. Cl.**

USPC **D26/46**

(58) **Field of Classification Search**

USPC D26/37, 38, 39, 46, 49; 362/157, 158,
362/183, 184, 192-196

See application file for complete search history.

DESCRIPTION

FIG. 1 is a rear and right side perspective view illustrating the rear, the right side and the top of the flashlight, showing my new design;

FIG. 2 is a front and left side perspective view illustrating the front and the left side thereof;

FIG. 3 is right side elevational view thereof;

FIG. 4 is a left side elevational view thereof;

FIG. 5 is a top elevational view thereof;

FIG. 6 is a bottom elevational view thereof;

FIG. 7 is a front plan view thereof; and,

FIG. 8 is a rear plan view thereof.

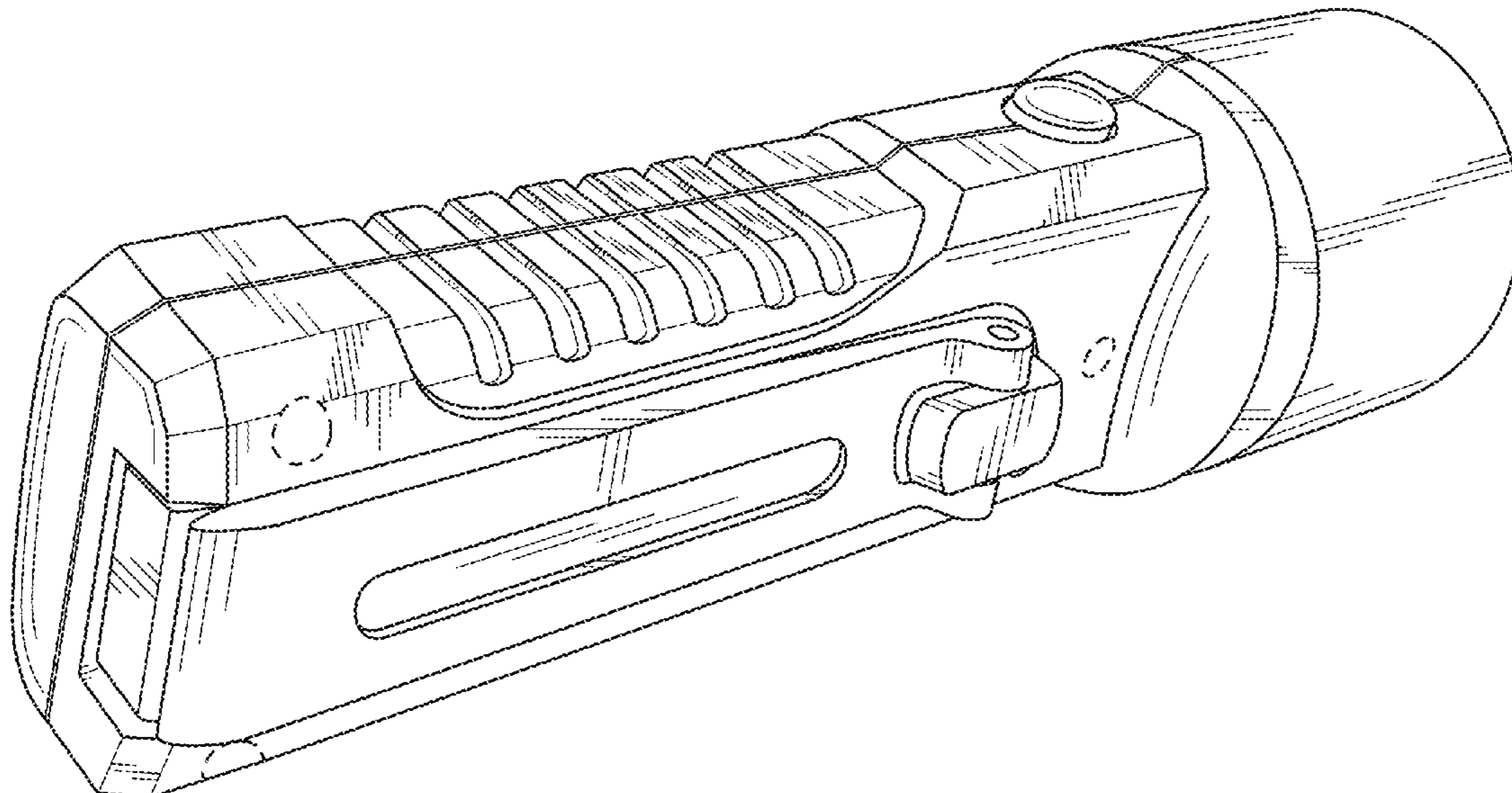
The broken line showing is for environmental purposes only and forms no part of the claimed design.

(56) **References Cited**

U.S. PATENT DOCUMENTS

D386,269 S * 11/1997 Lam D26/37
D431,085 S * 9/2000 Poon D26/49
D519,234 S * 4/2006 Lee D26/37
D529,212 S * 9/2006 Yuen D26/37
D601,284 S * 9/2009 Schonbach D26/46
D641,510 S * 7/2011 Wang D26/46
D642,713 S * 8/2011 Babey D26/46

1 Claim, 7 Drawing Sheets



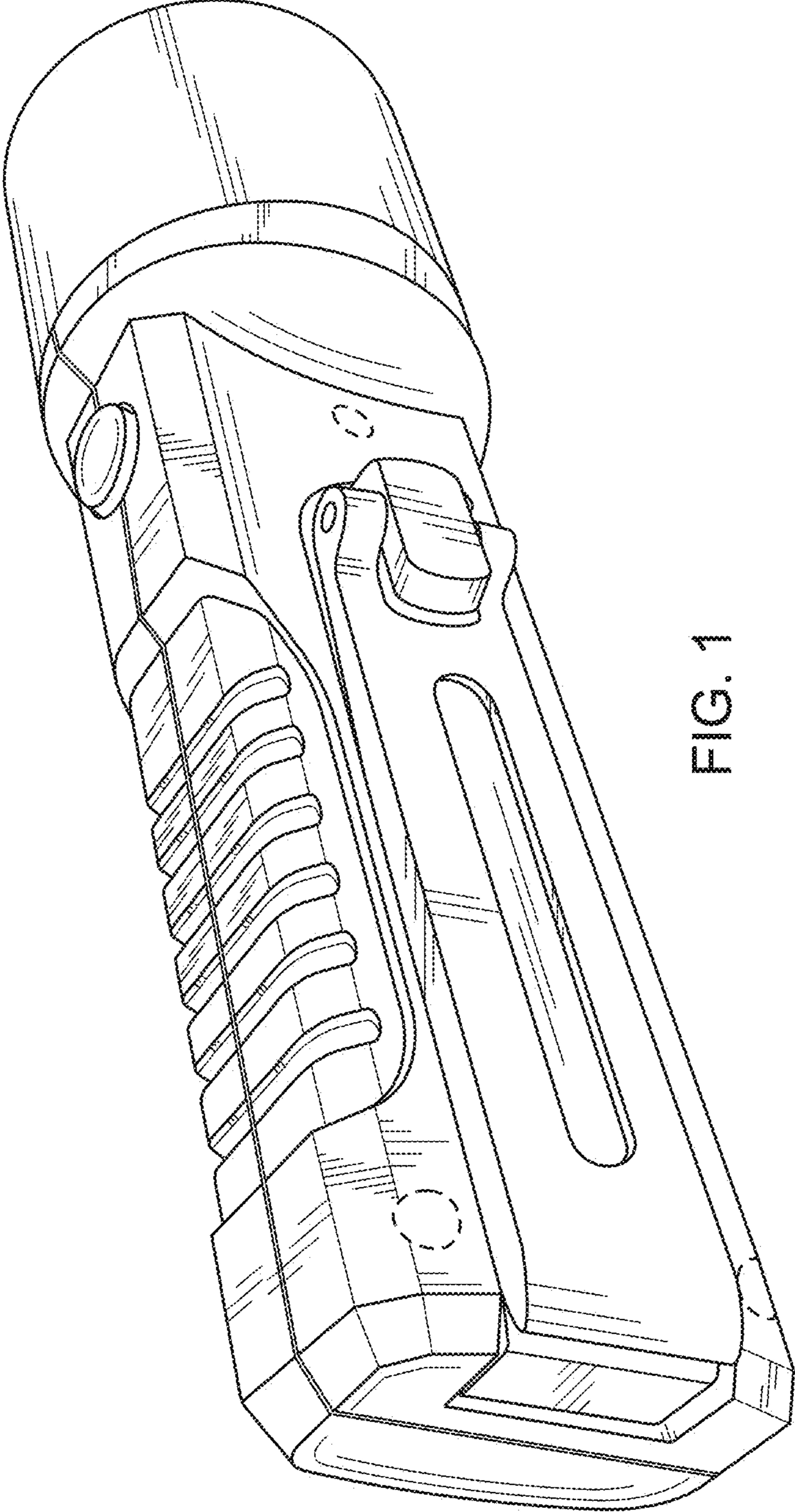


FIG. 1

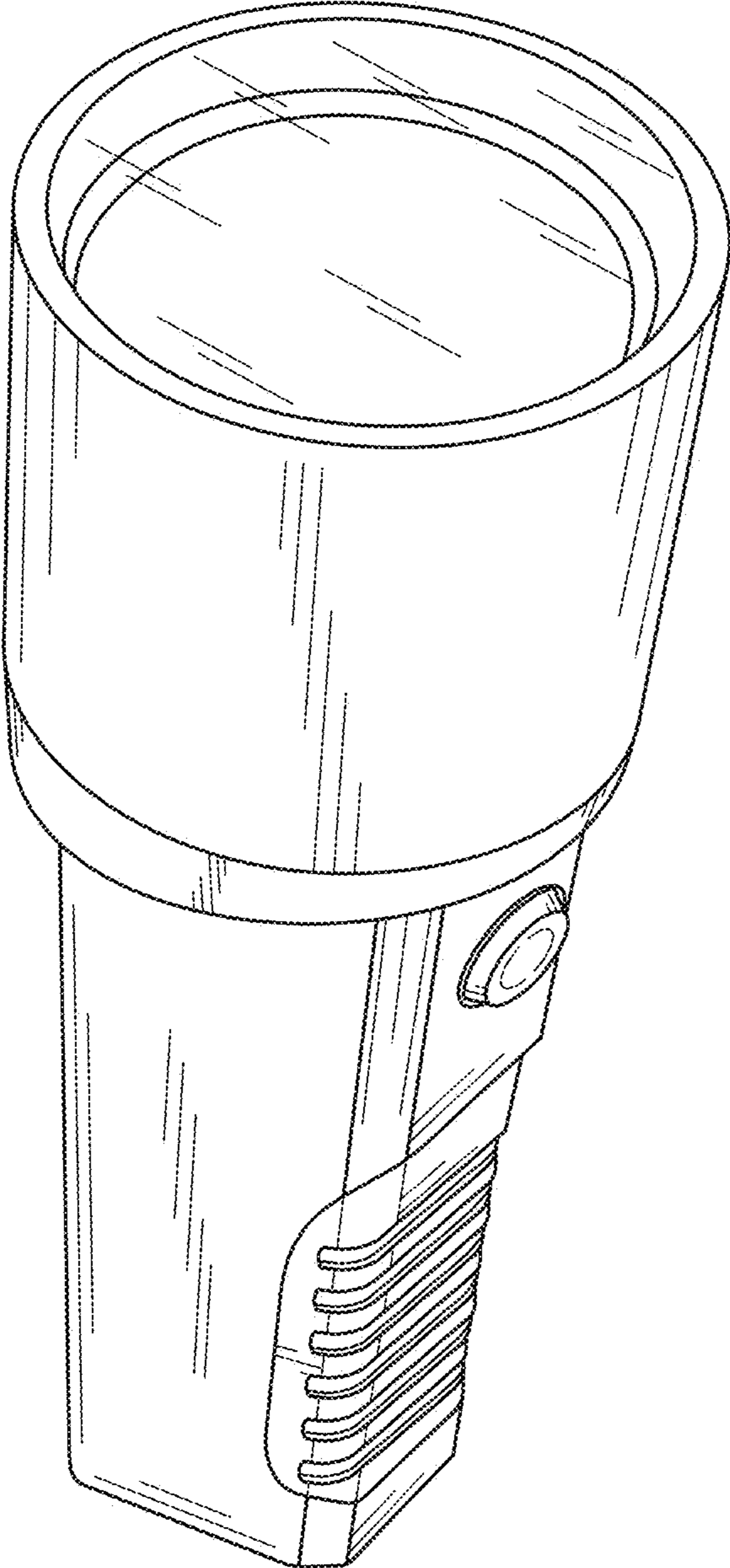


FIG. 2

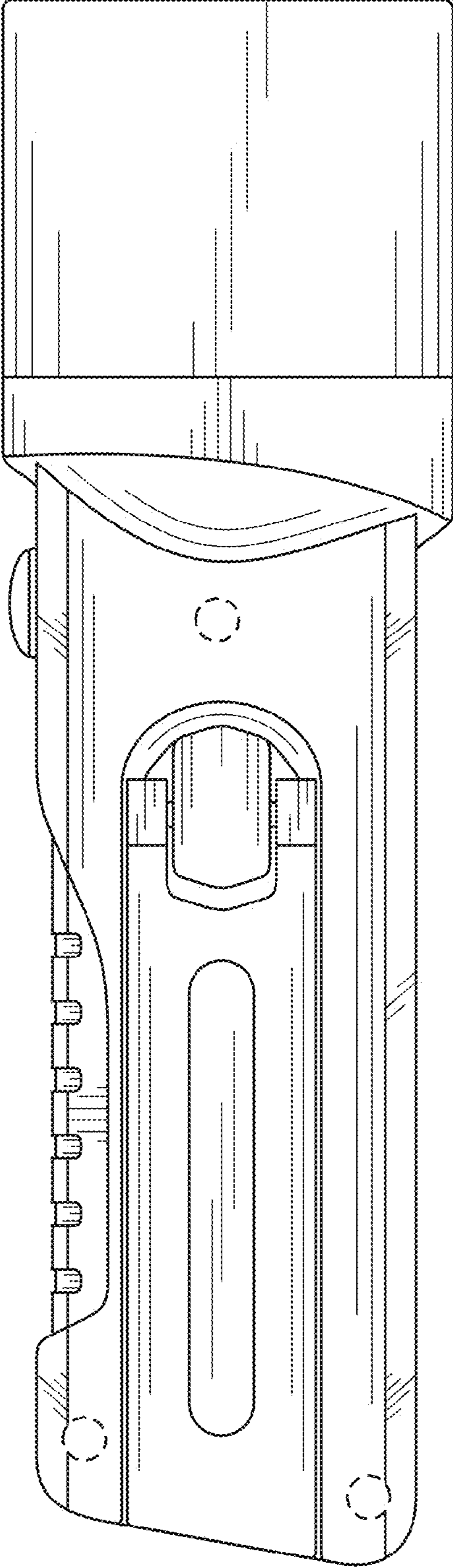


FIG. 3

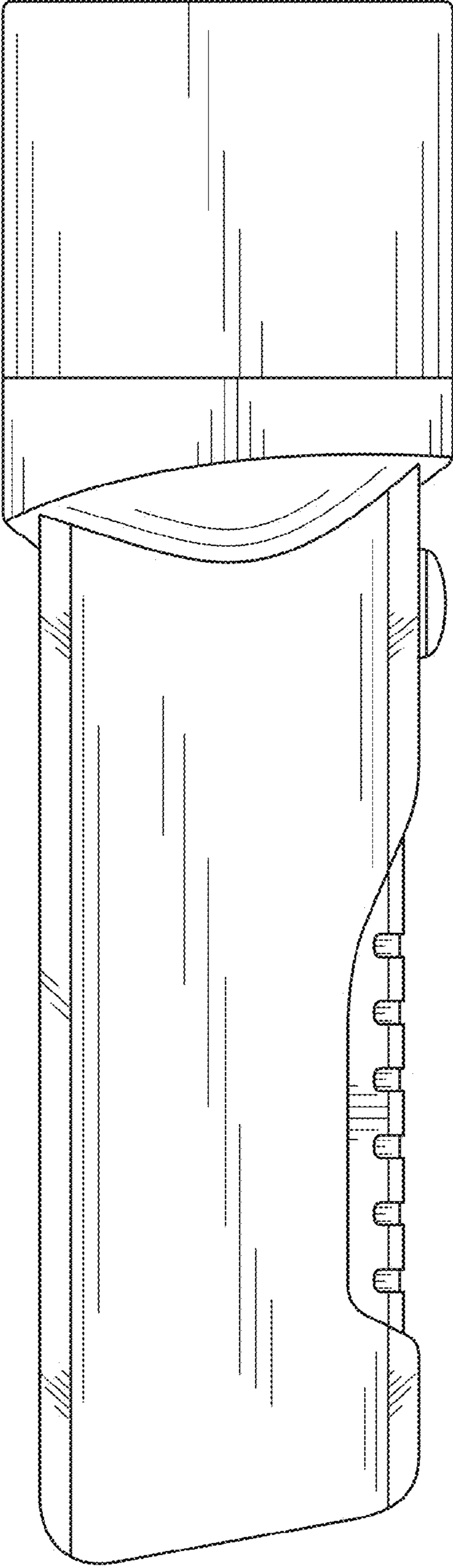


FIG. 4

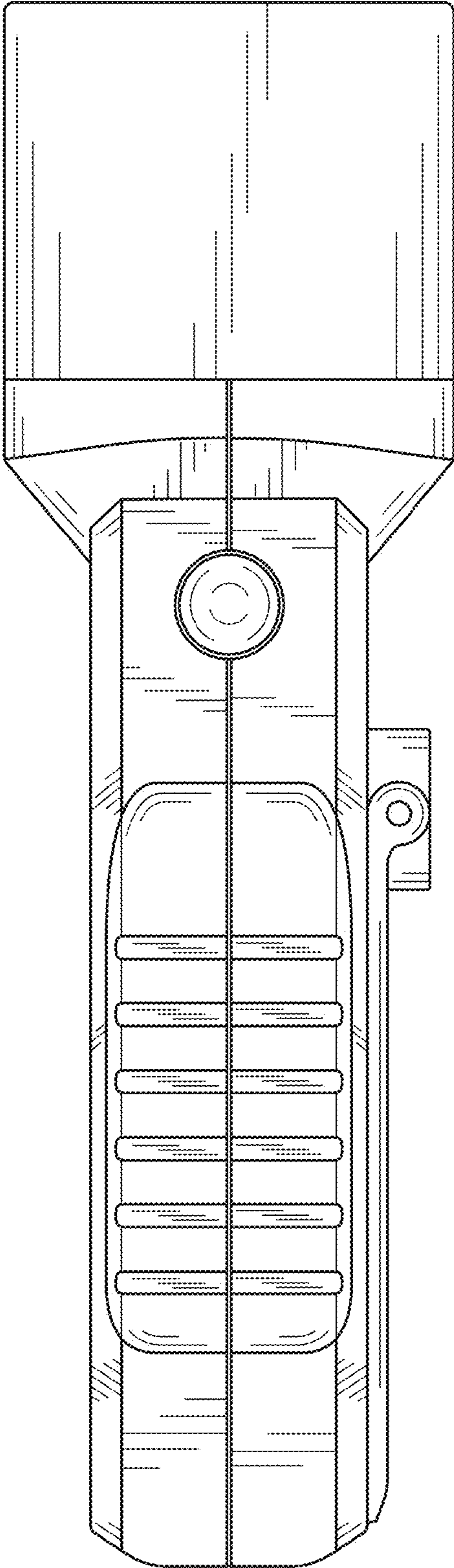


FIG. 5

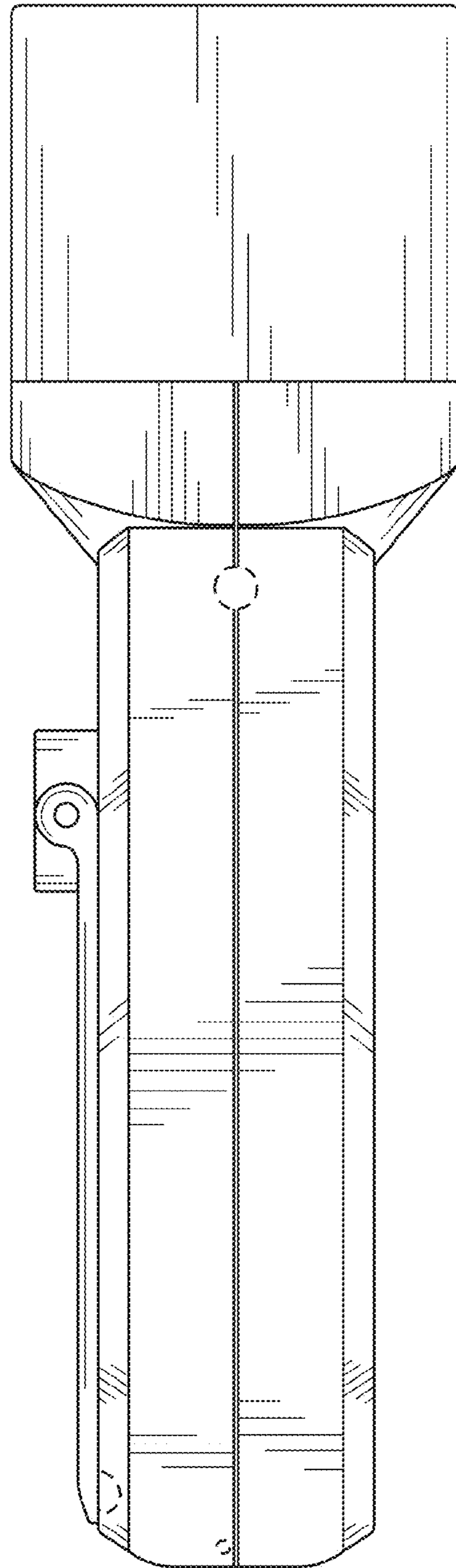


FIG. 6

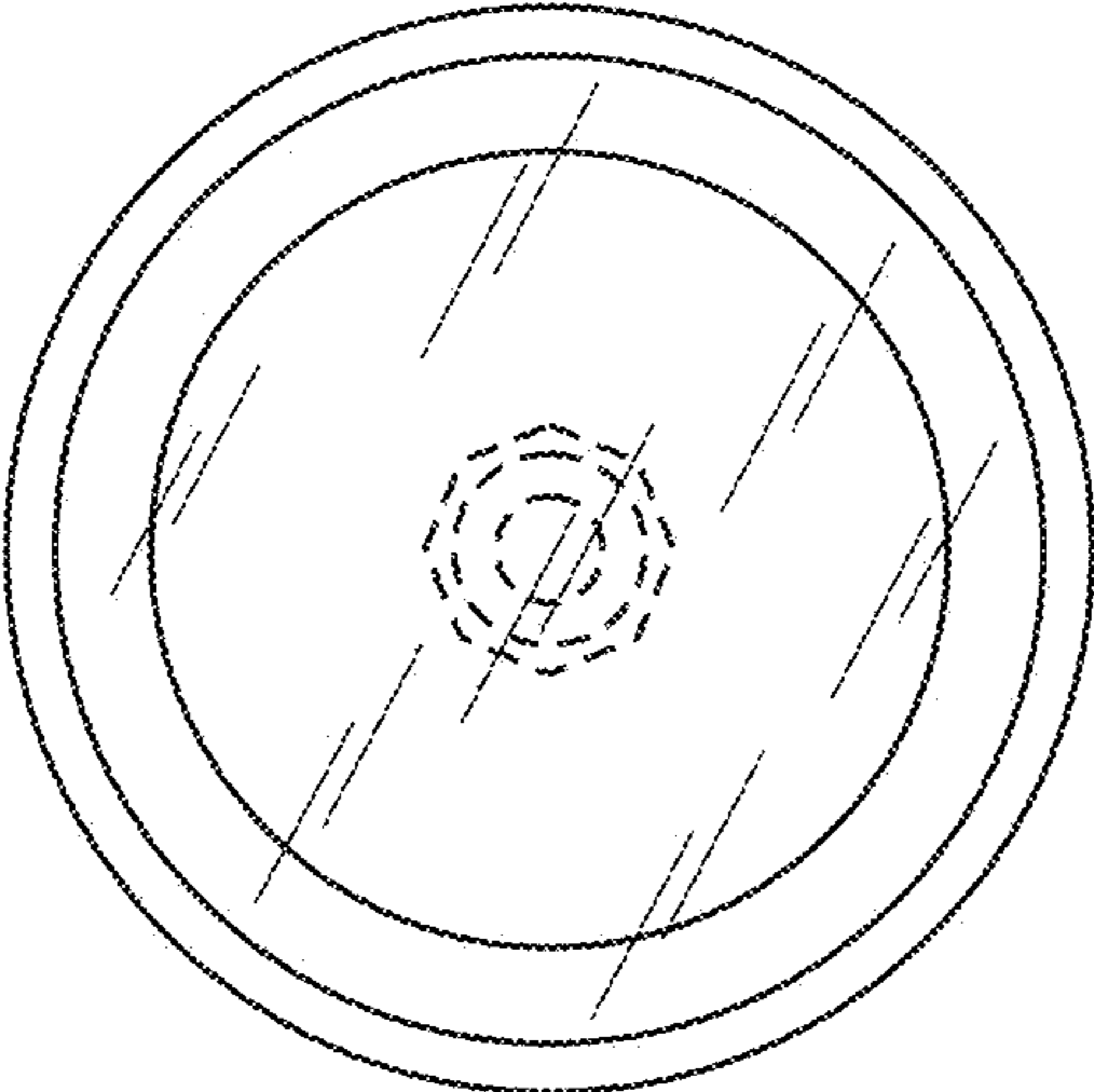


FIG. 7

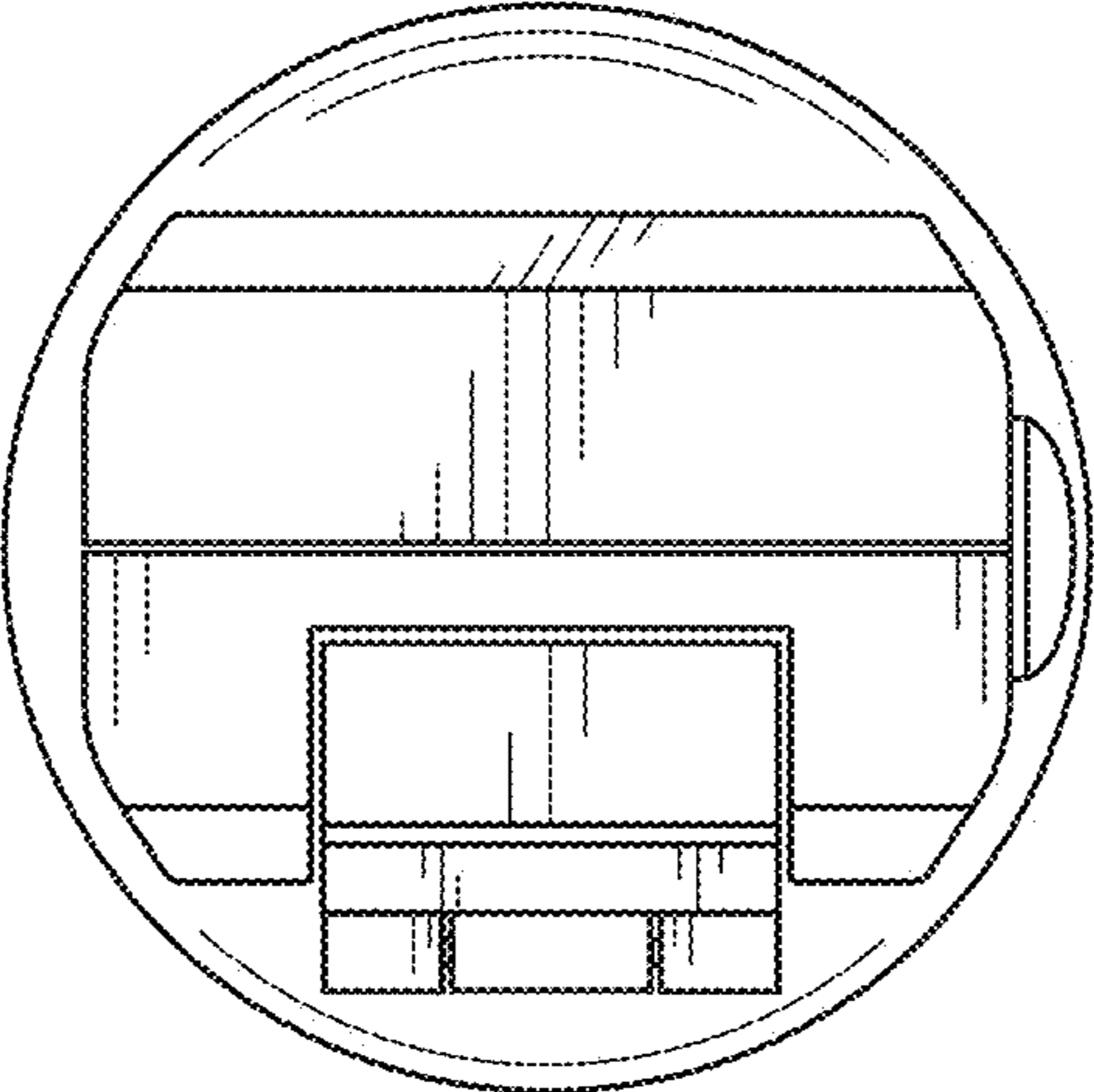


FIG. 8