



US00D707868S

(12) **United States Design Patent**
Lee

(10) **Patent No.:** **US D707,868 S**
(45) **Date of Patent:** **** Jun. 24, 2014**

(54) **HEADLIGHT**

(71) Applicant: **Wen-Sung Lee**, Taichung (TW)

(72) Inventor: **Wen-Sung Lee**, Taichung (TW)

(**) Term: **14 Years**

(21) Appl. No.: **29/469,136**

(22) Filed: **Oct. 7, 2013**

(51) **LOC (10) Cl.** **26-02**

(52) **U.S. Cl.**
USPC **D26/39**

(58) **Field of Classification Search**
USPC D26/37-39, 46, 49; 362/103, 105, 106,
362/108, 157, 158, 183, 184, 194-196,
362/200-208; D16/200, 217, 208
See application file for complete search history.

(56) **References Cited**

U.S. PATENT DOCUMENTS

D163,488 S *	5/1951	Schwartz	D26/37
D388,109 S *	12/1997	Kimura et al.	D16/217
D390,860 S *	2/1998	Kim	D16/217
D405,202 S *	2/1999	Fattori et al.	D26/39
D465,043 S *	10/2002	Halasz	D26/39

D508,140 S *	8/2005	Sharrah	D26/39
D556,927 S *	12/2007	Shiu	D26/39
D579,133 S *	10/2008	Shiu	D26/39
D603,538 S *	11/2009	Shiu	D26/39
D614,786 S *	4/2010	Lee	D26/39
D629,941 S *	12/2010	Robinson et al.	D26/49
D683,489 S *	5/2013	Lee	D26/39

* cited by examiner

Primary Examiner — Ian Simmons
Assistant Examiner — Carissa C Fitts

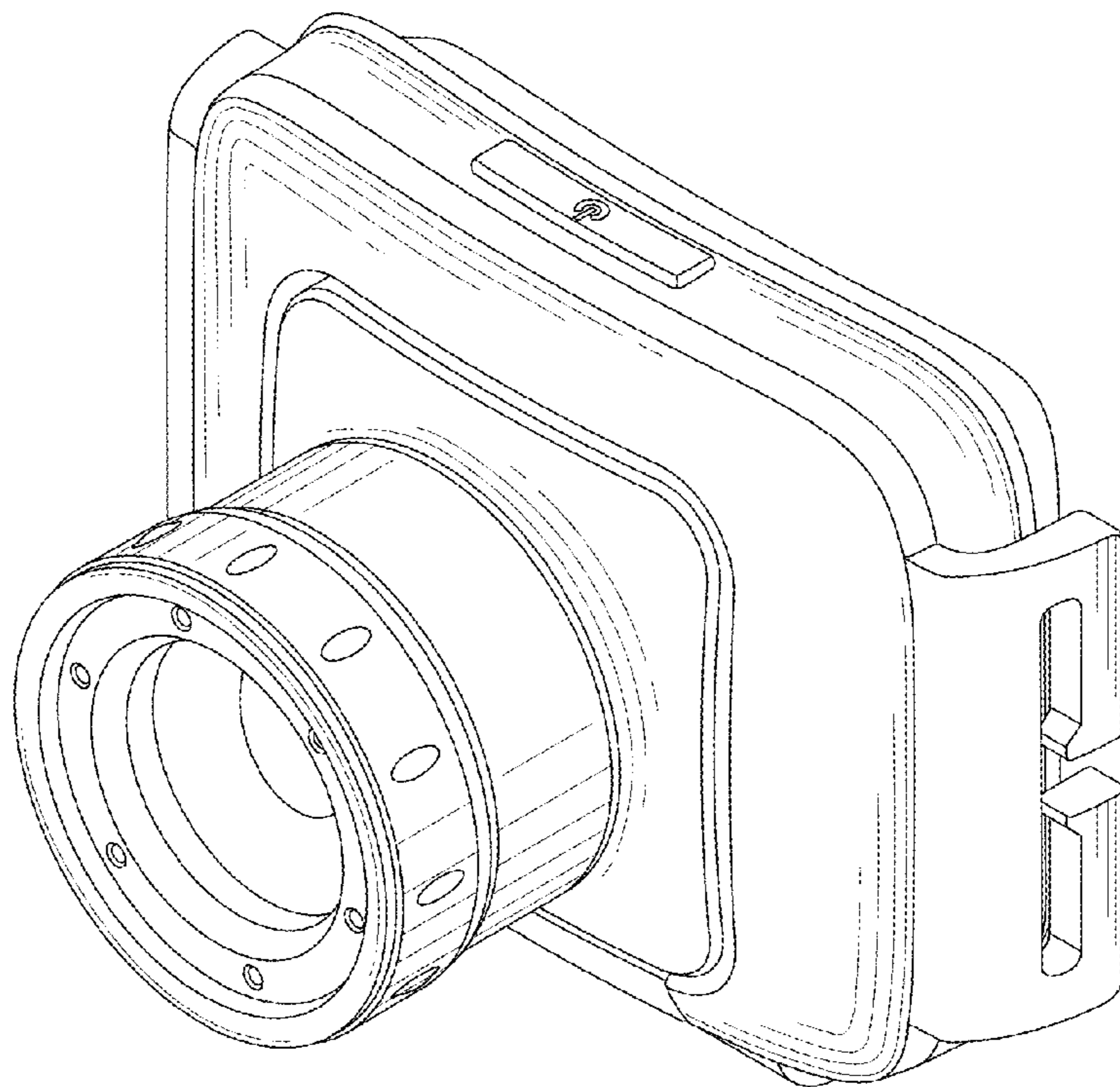
(57) **CLAIM**

The ornamental design for a headlight, as shown and described.

DESCRIPTION

FIG. 1 is a perspective view of a headlight illustrating my new design;
FIG. 2 is a front elevational view thereof;
FIG. 3 is a rear elevational view thereof;
FIG. 4 is a left side view thereof;
FIG. 5 is a right side view thereof;
FIG. 6 is a top plan view thereof;
FIG. 7 is a bottom plan view thereof; and,
FIG. 8 is another perspective view thereof.

1 Claim, 5 Drawing Sheets



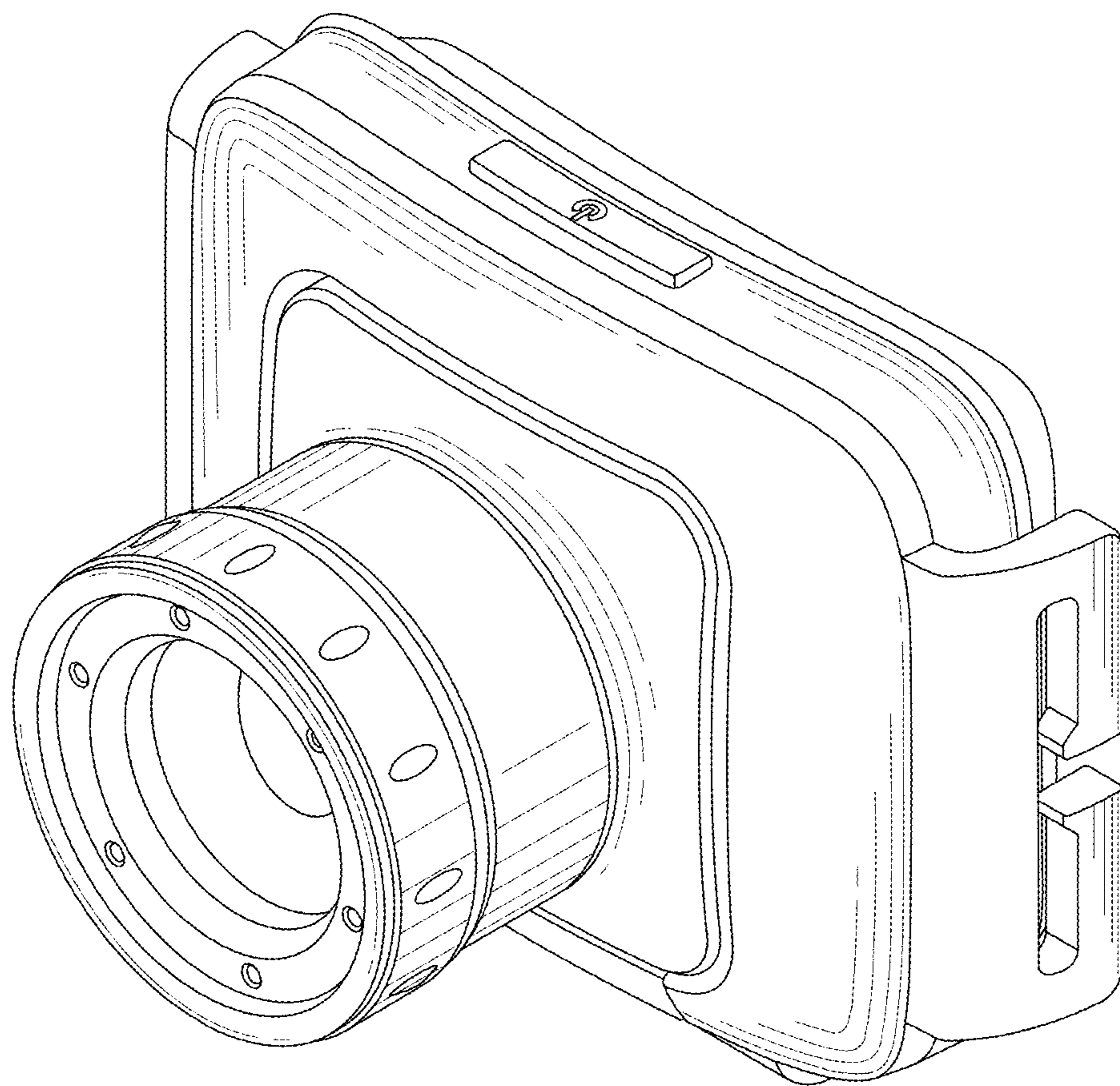


FIG.1

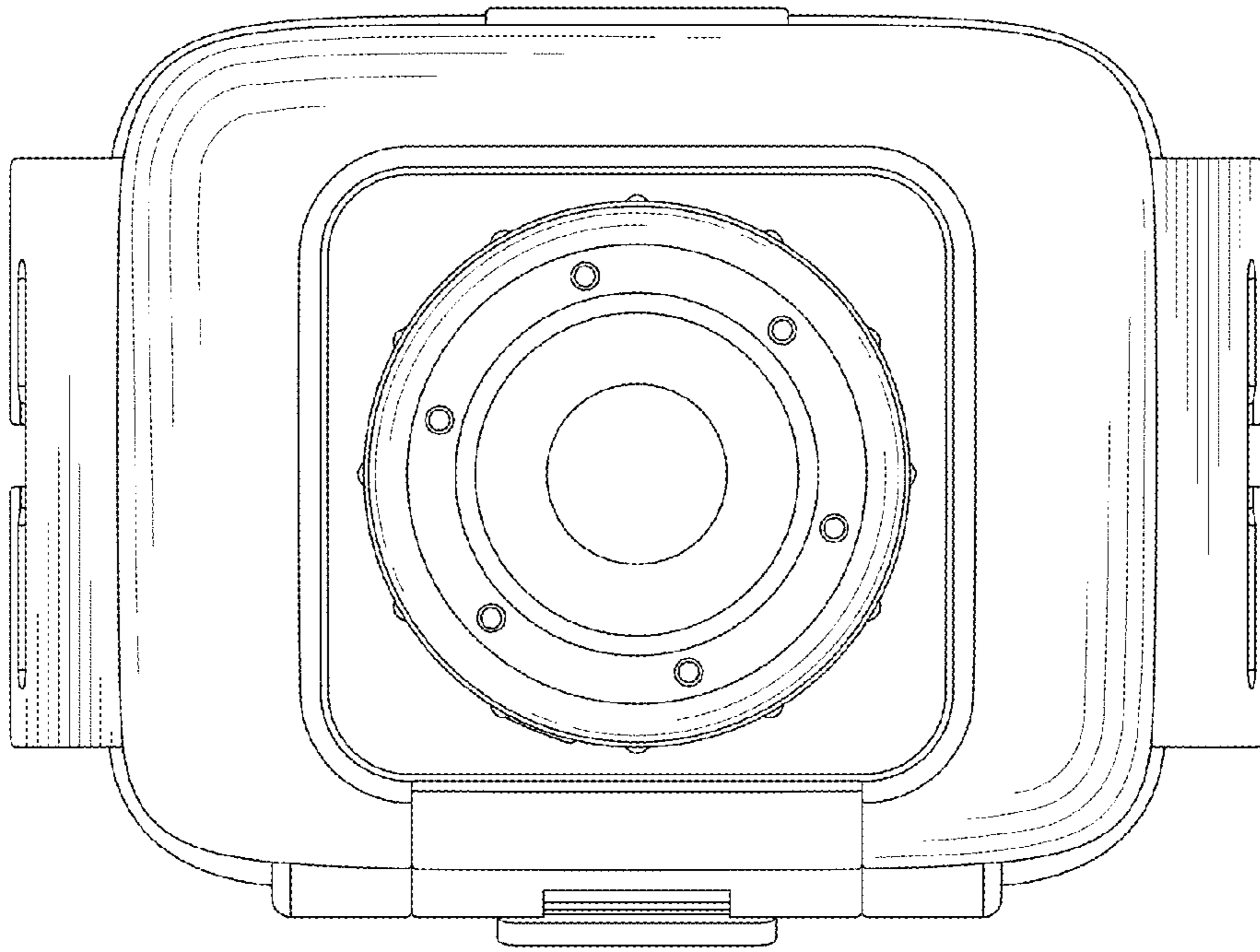


FIG. 2

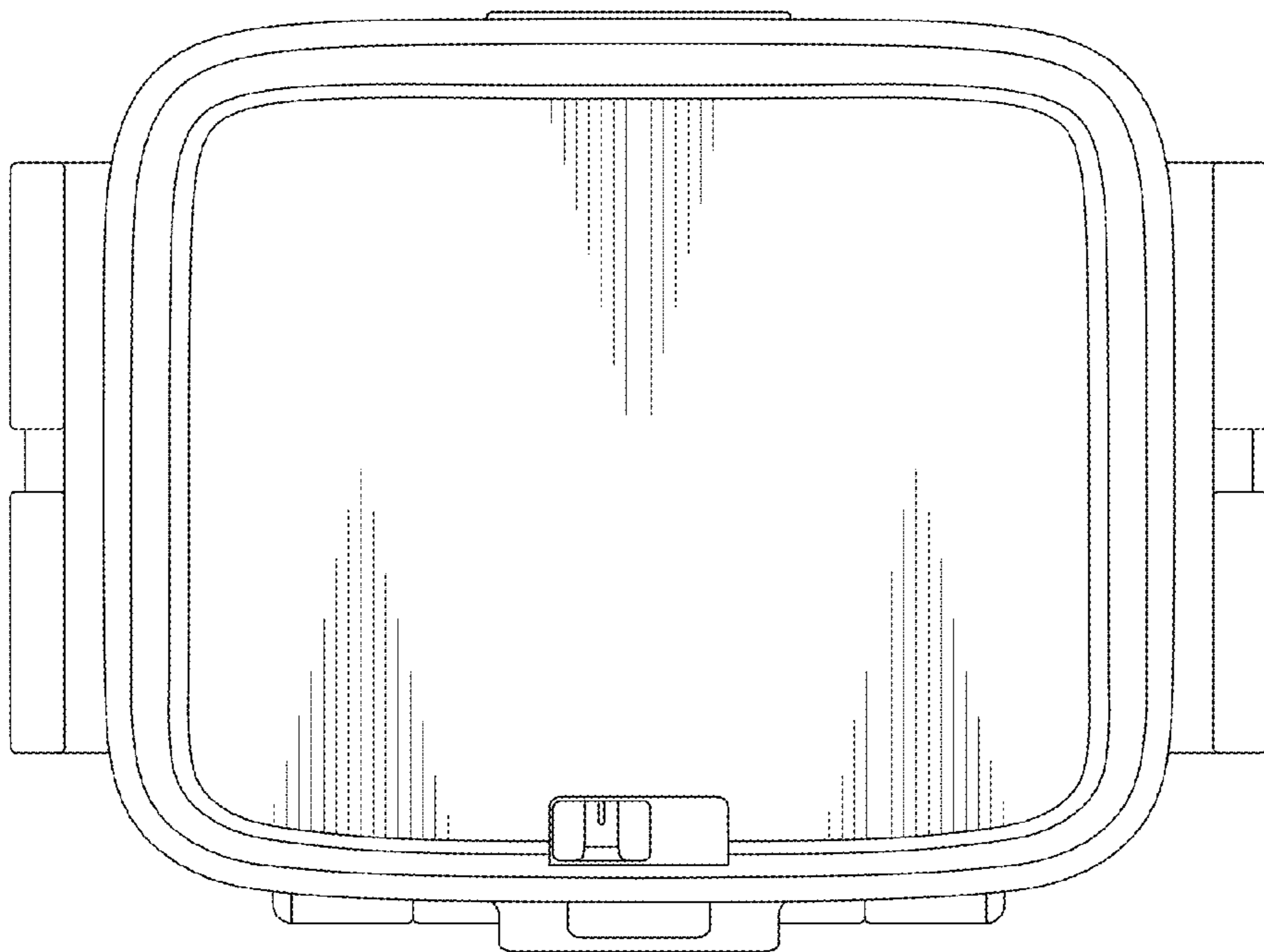


FIG. 3

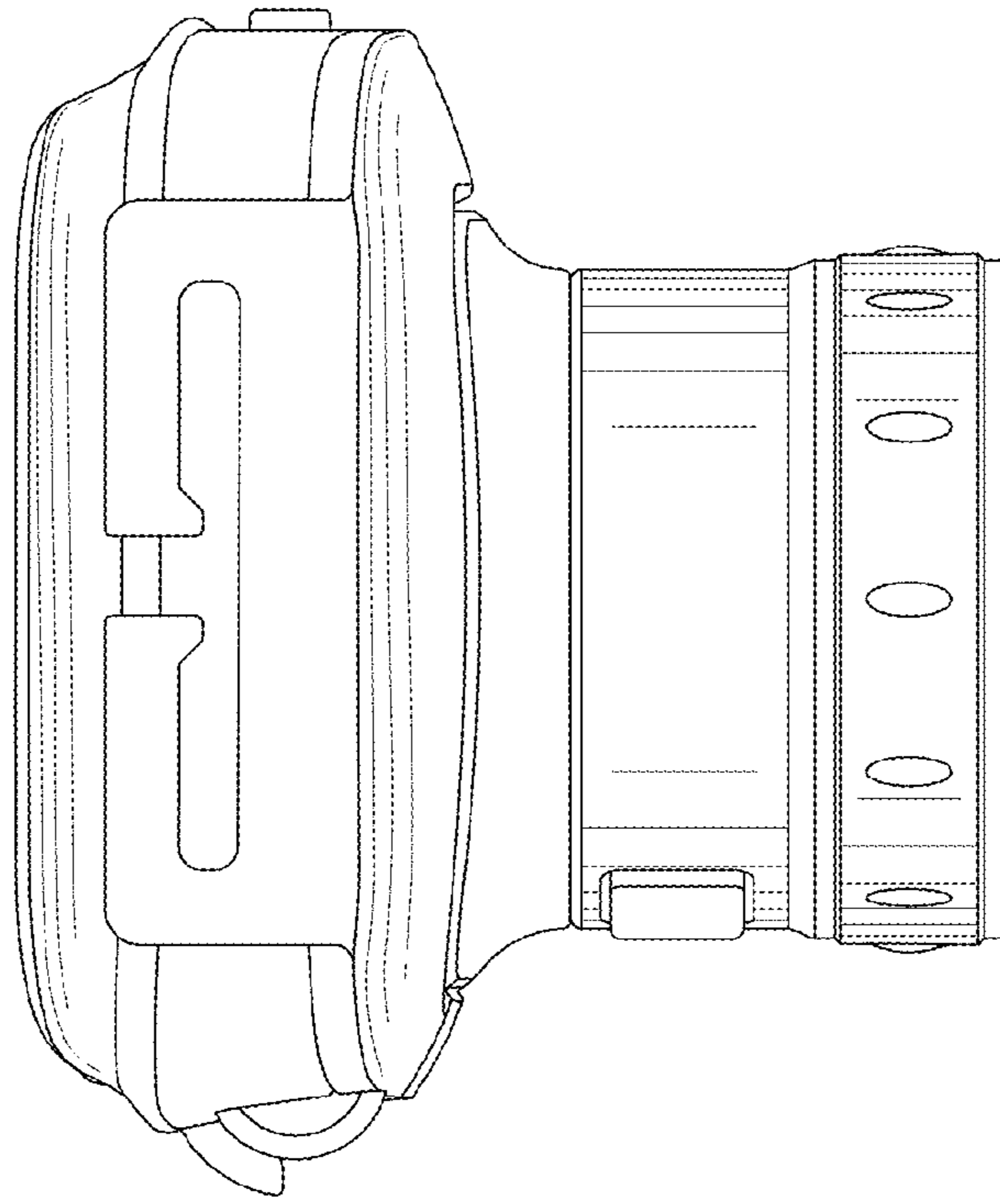


FIG. 4

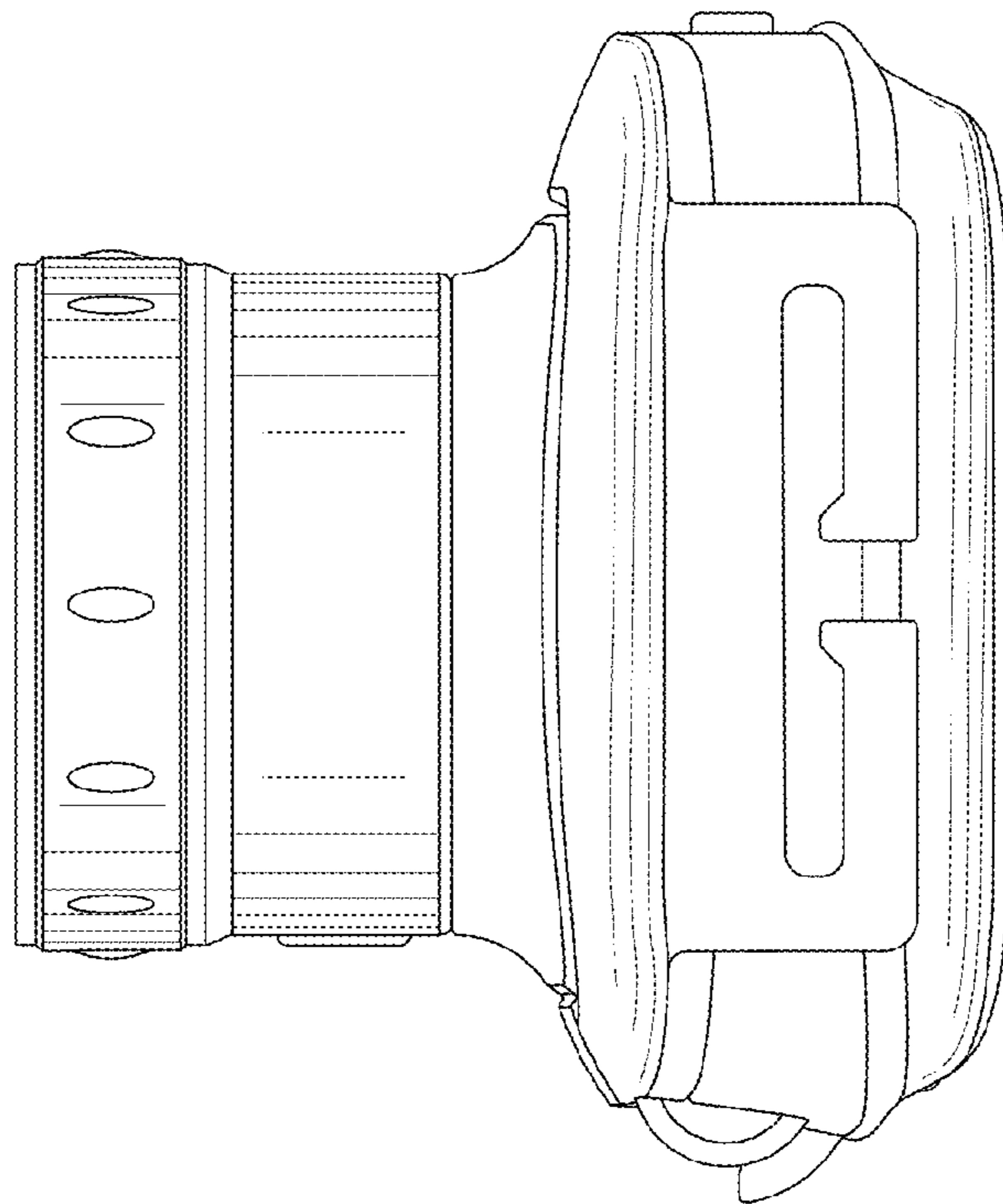


FIG. 5

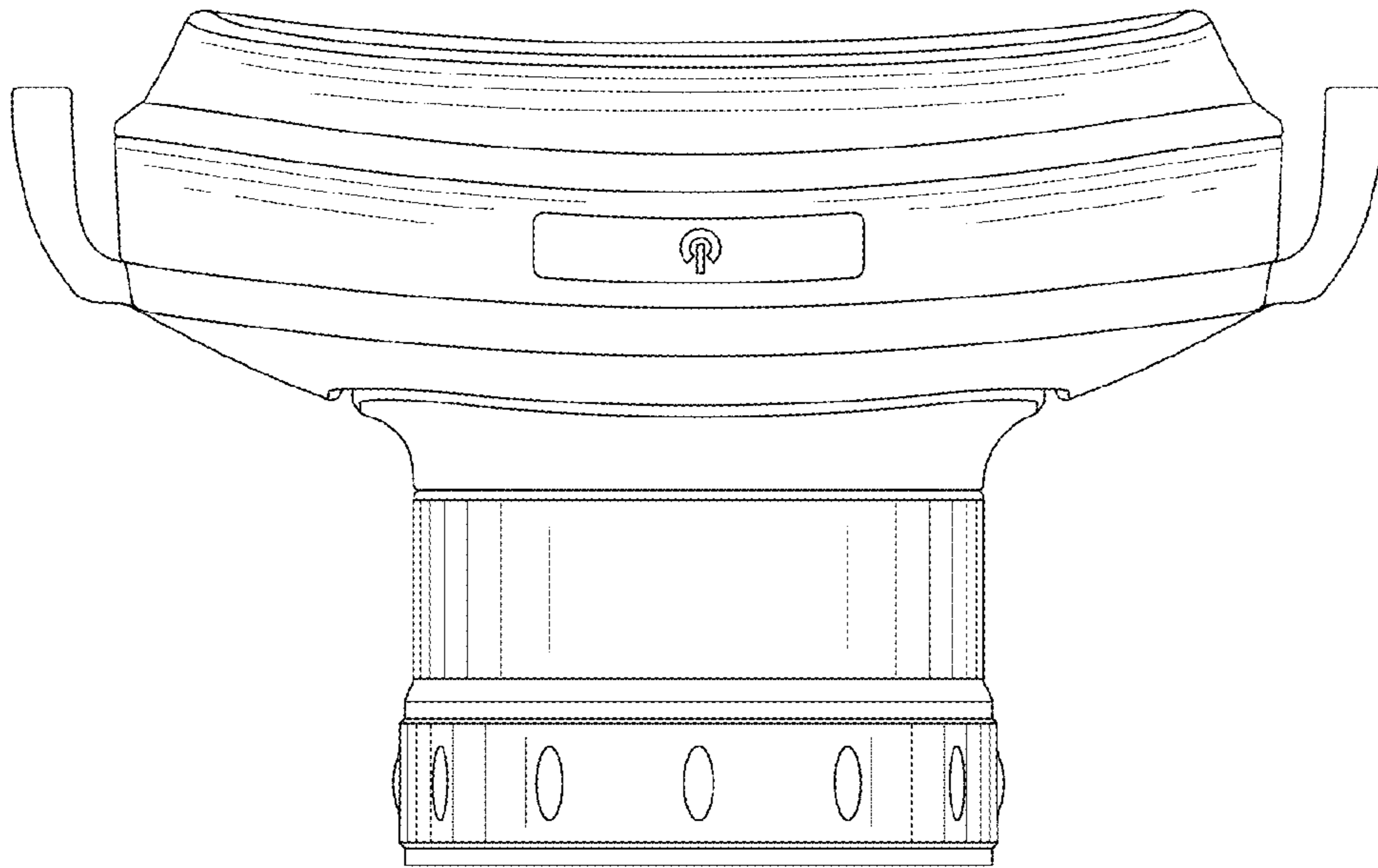


FIG.6

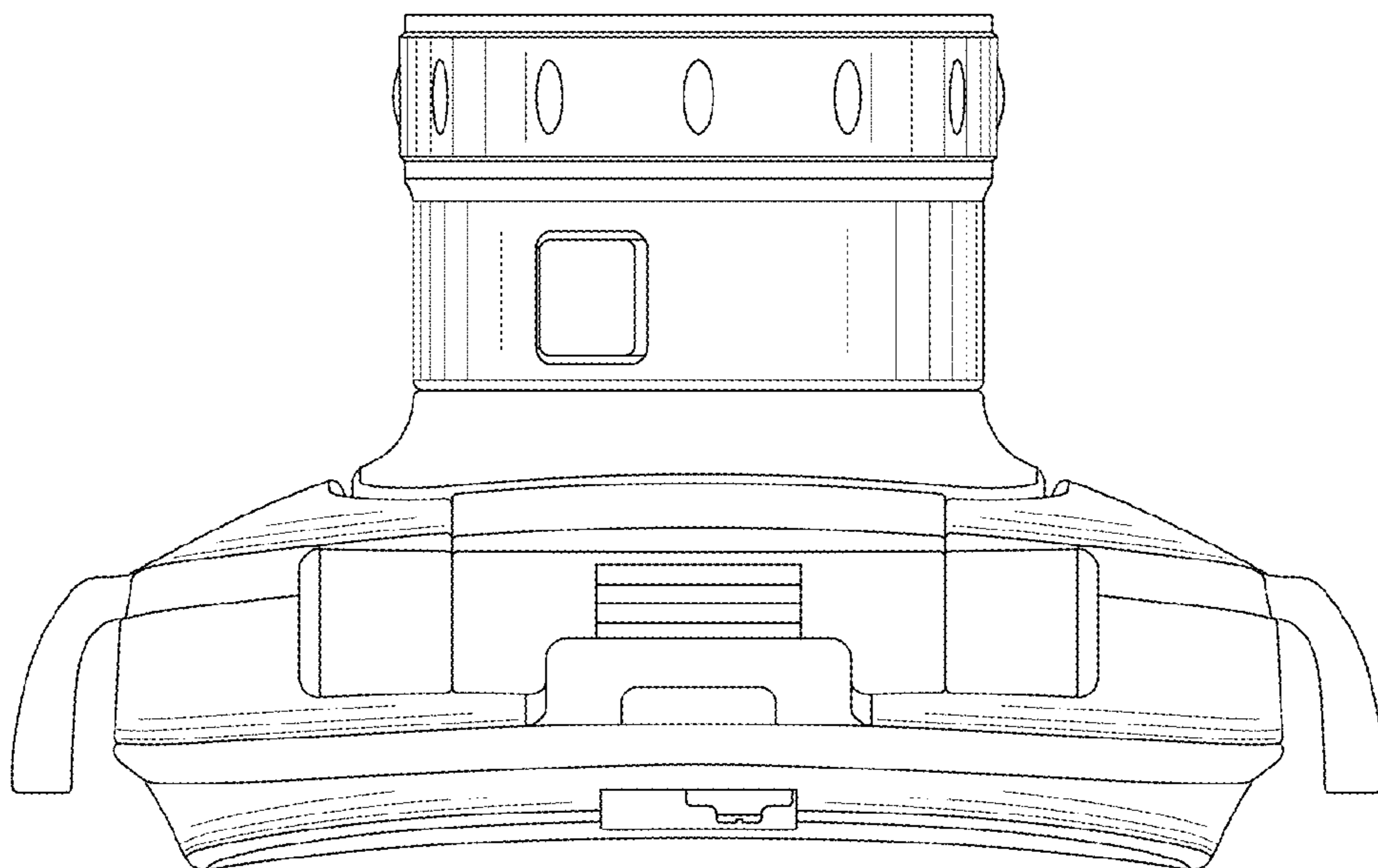


FIG.7

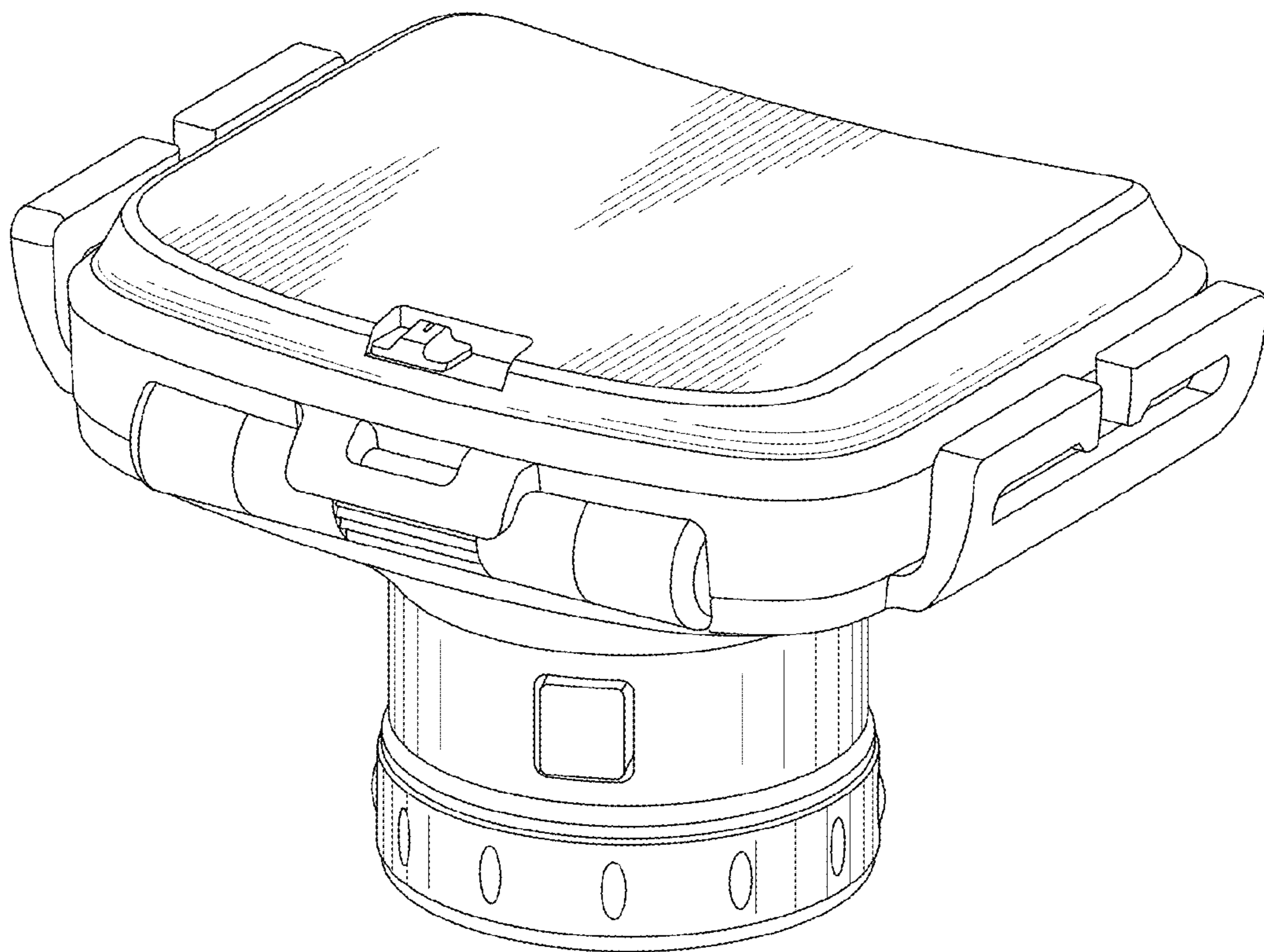


FIG.8