



US00D707867S

(12) **United States Design Patent**
Kotsis et al.

(10) **Patent No.:** **US D707,867 S**
(45) **Date of Patent:** **** Jun. 24, 2014**

(54) **LIGHTING DEVICE**

(71) Applicant: **Eveready Battery Company, Inc.**, St. Louis, MO (US)

(72) Inventors: **Angelo Kotsis**, Marrickville (AU);
Timothy J. Rugendyke, Woy Woy (AU)

(73) Assignee: **Eveready Battery Company, Inc.**, St. Louis, MO (US)

(**) Term: **14 Years**

(21) Appl. No.: **29/445,908**

(22) Filed: **Feb. 19, 2013**

(51) **LOC (10) Cl.** **26-02**

(52) **U.S. Cl.**
USPC **D26/39**

(58) **Field of Classification Search**
USPC D26/37-39, 46, 49, 50, 48; 362/103,
362/105, 106, 108, 157, 158, 183, 184,
362/194-196, 200-208

See application file for complete search history.

(56) **References Cited**

U.S. PATENT DOCUMENTS

D362,736 S *	9/1995	Leather	D26/39
D552,278 S *	10/2007	Spartano et al.	D26/39
D553,281 S *	10/2007	Rugendyke et al.	D26/46
D560,008 S *	1/2008	Poon	D26/39
D573,736 S *	7/2008	Poon	D26/39

D603,539 S *	11/2009	Shiu	D26/39
D650,103 S *	12/2011	Lee	D26/39
D658,323 S *	4/2012	Freschl	D26/39
D672,893 S *	12/2012	Inskeep	D26/39
D702,863 S *	4/2014	Kotsis	D26/37

* cited by examiner

Primary Examiner — Ian Simmons

Assistant Examiner — Carissa C Fitts

(74) *Attorney, Agent, or Firm* — Russell H. Toye, Jr.

(57) **CLAIM**

The ornamental design for a lighting device, as shown and described.

DESCRIPTION

FIG. 1 is a top perspective view of a lighting device showing my design;

FIG. 2 is a bottom perspective view of the design.

FIG. 3 is a top perspective view of the design.

FIG. 4 is a bottom perspective view of the design.

FIG. 5 is a front view of the design.

FIG. 6 is a rear view of the design.

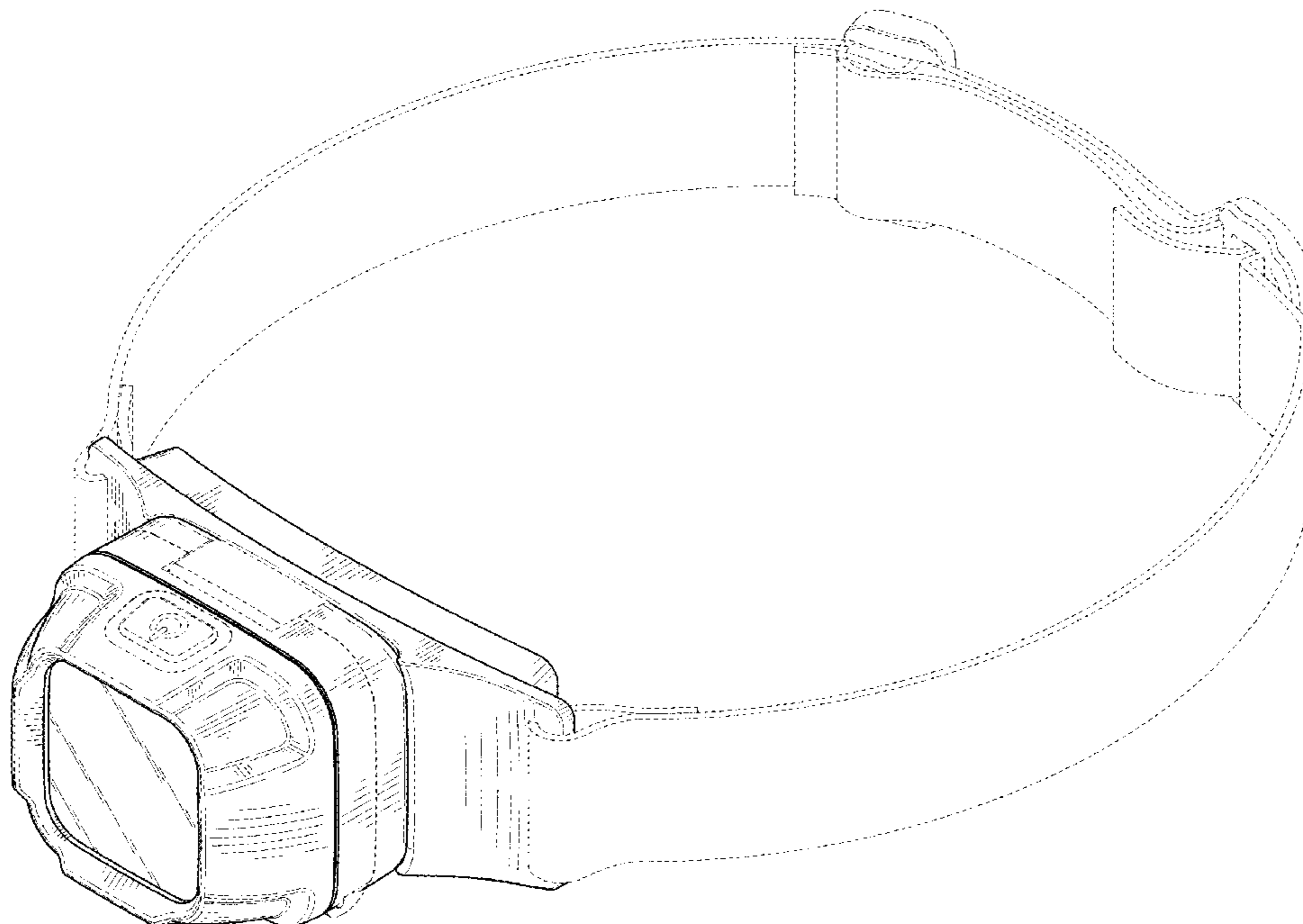
FIG. 7 is a left side view of the design.

FIG. 8 is a top view of the design; and,

FIG. 9 is a bottom view of the design.

Any broken line(s) shown are for illustrative purposes only and form no part of the claimed design.

1 Claim, 6 Drawing Sheets



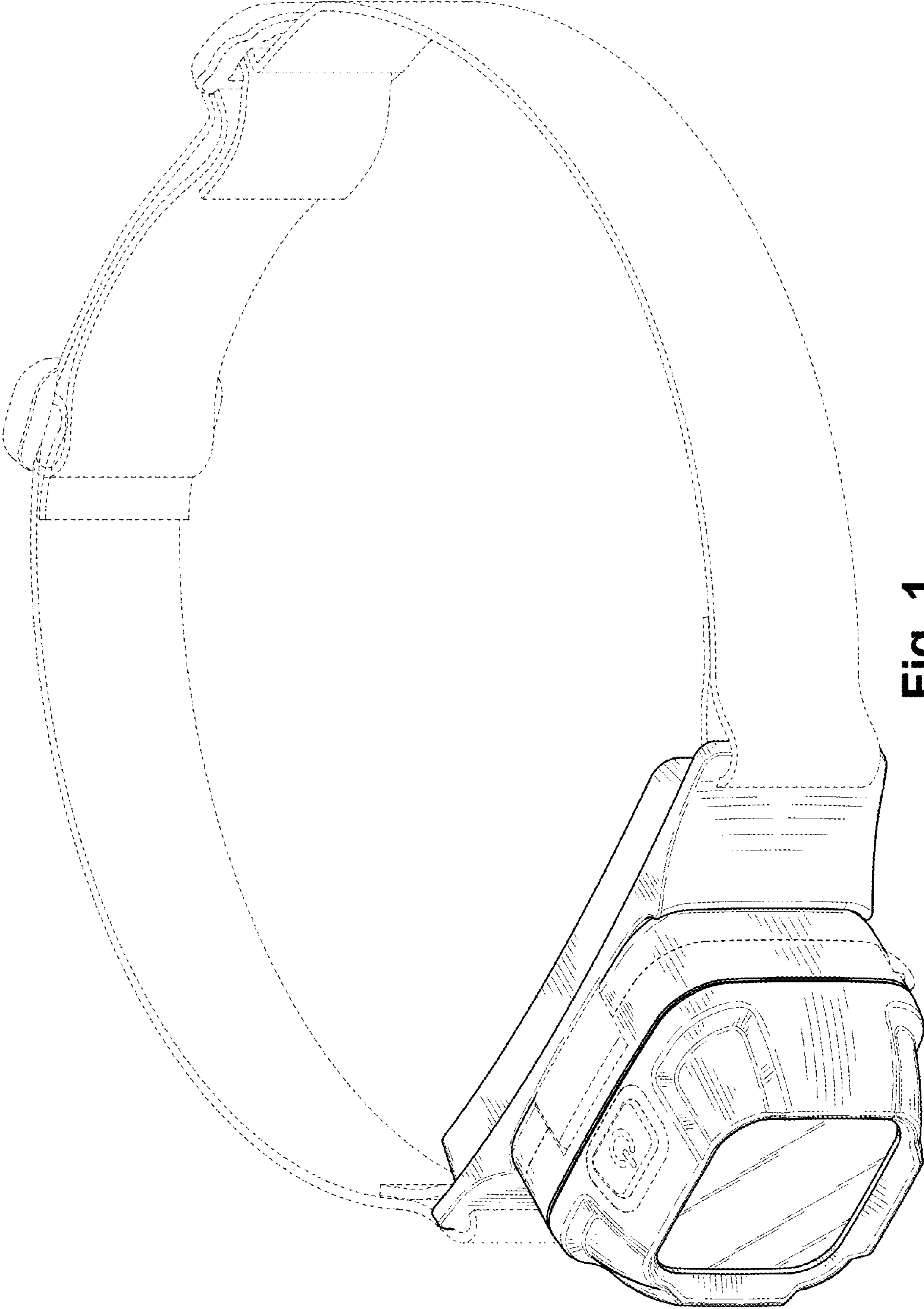


Fig. 1

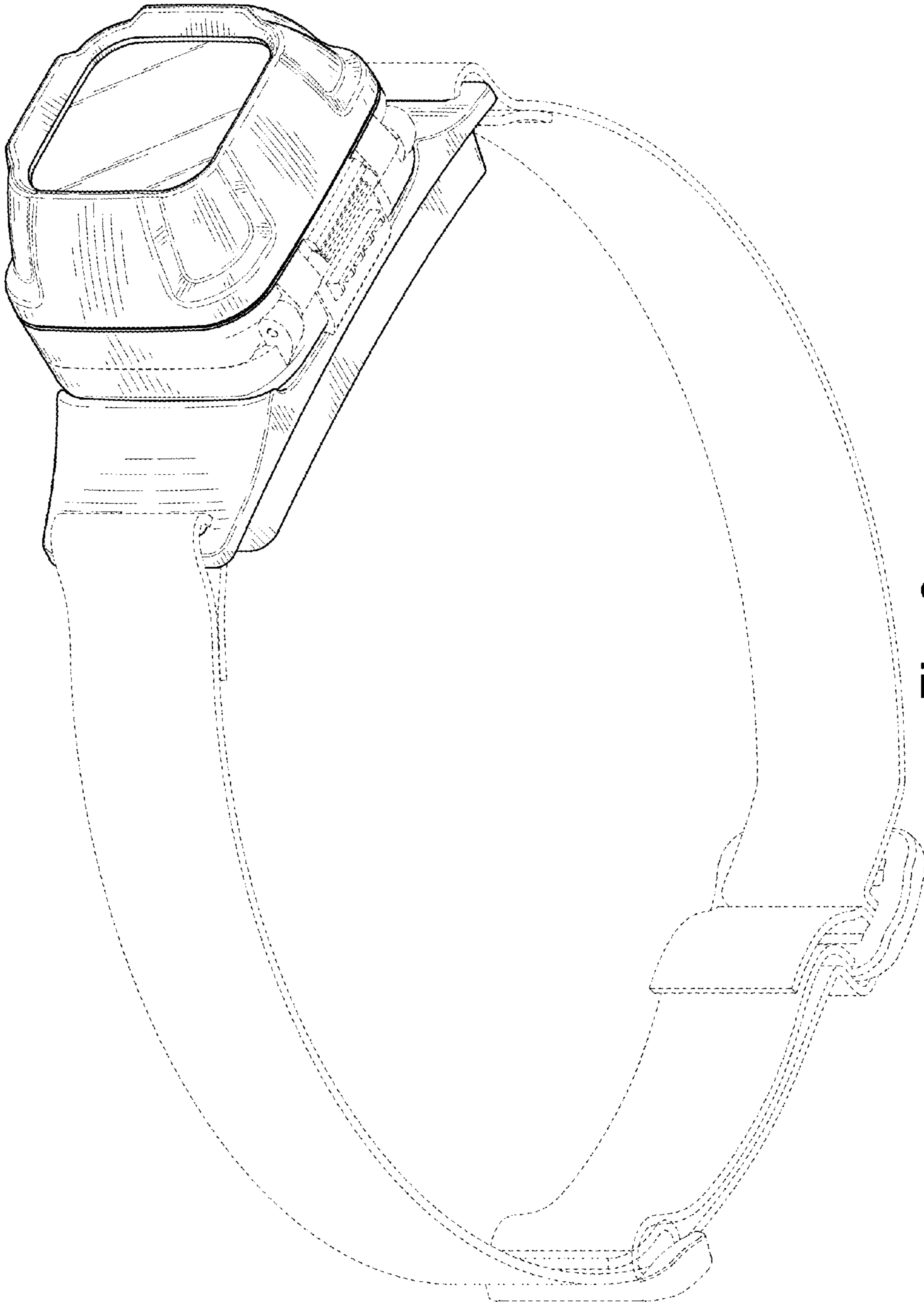


Fig. 2

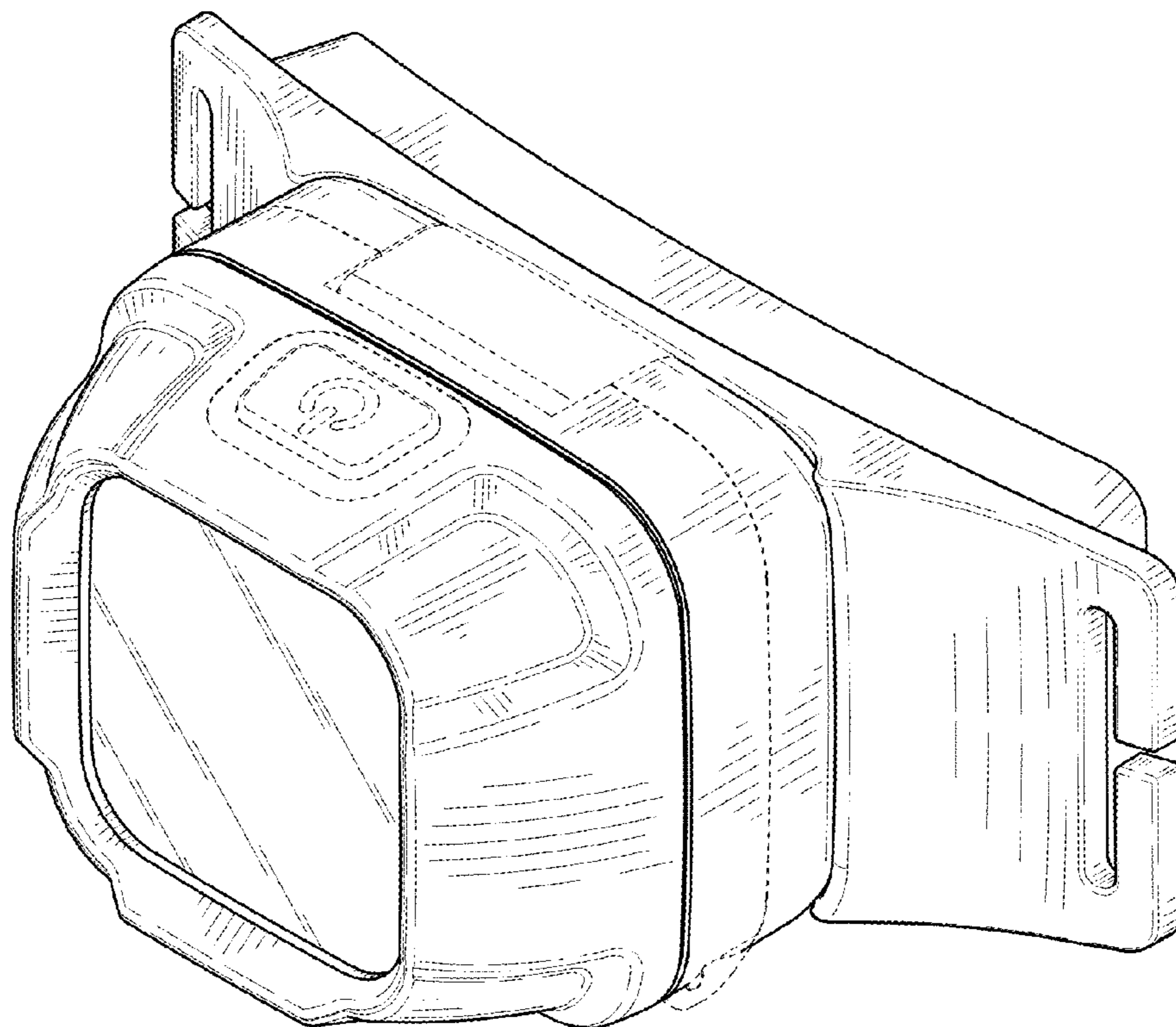


Fig. 3

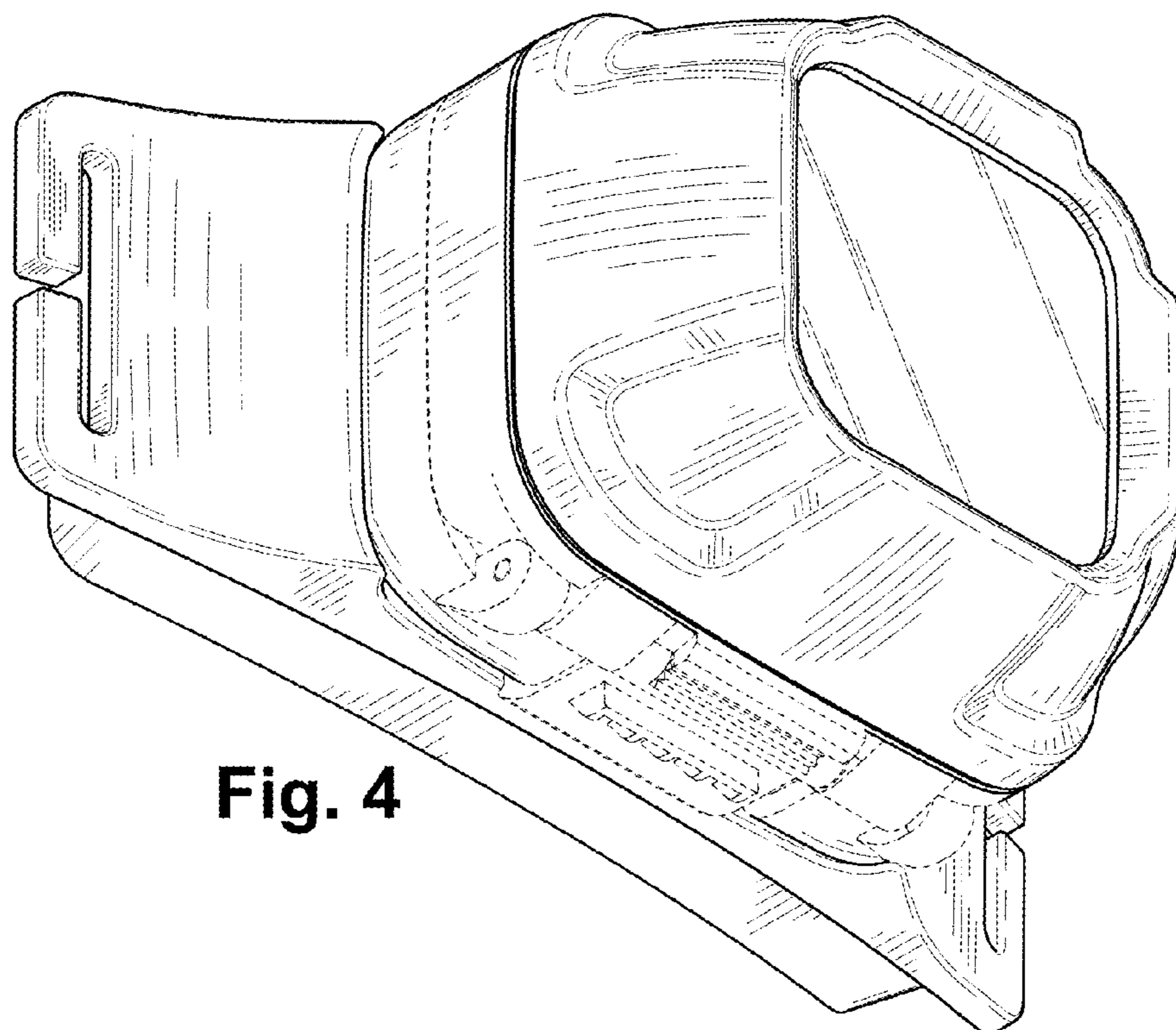


Fig. 4

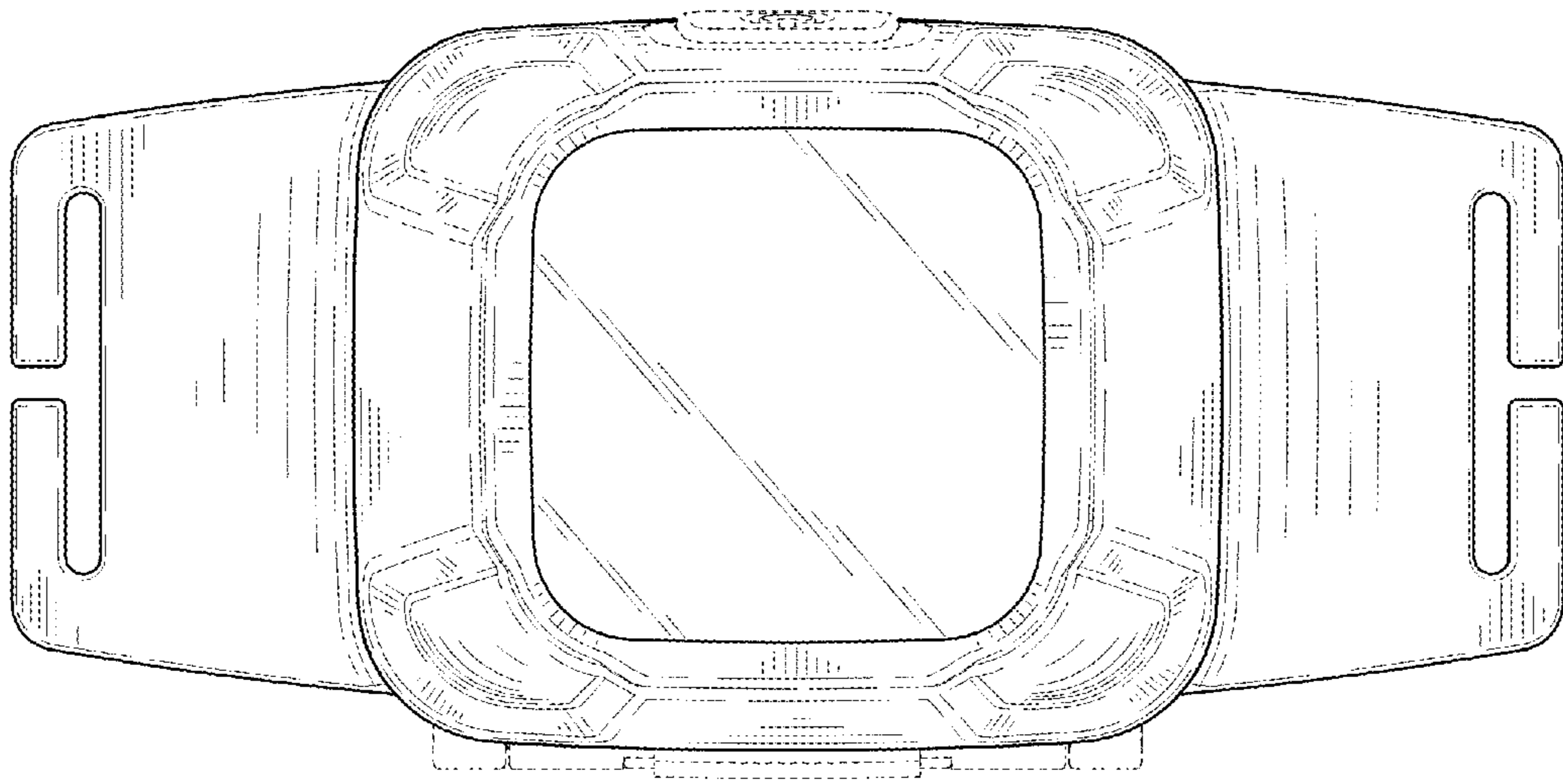


Fig. 5

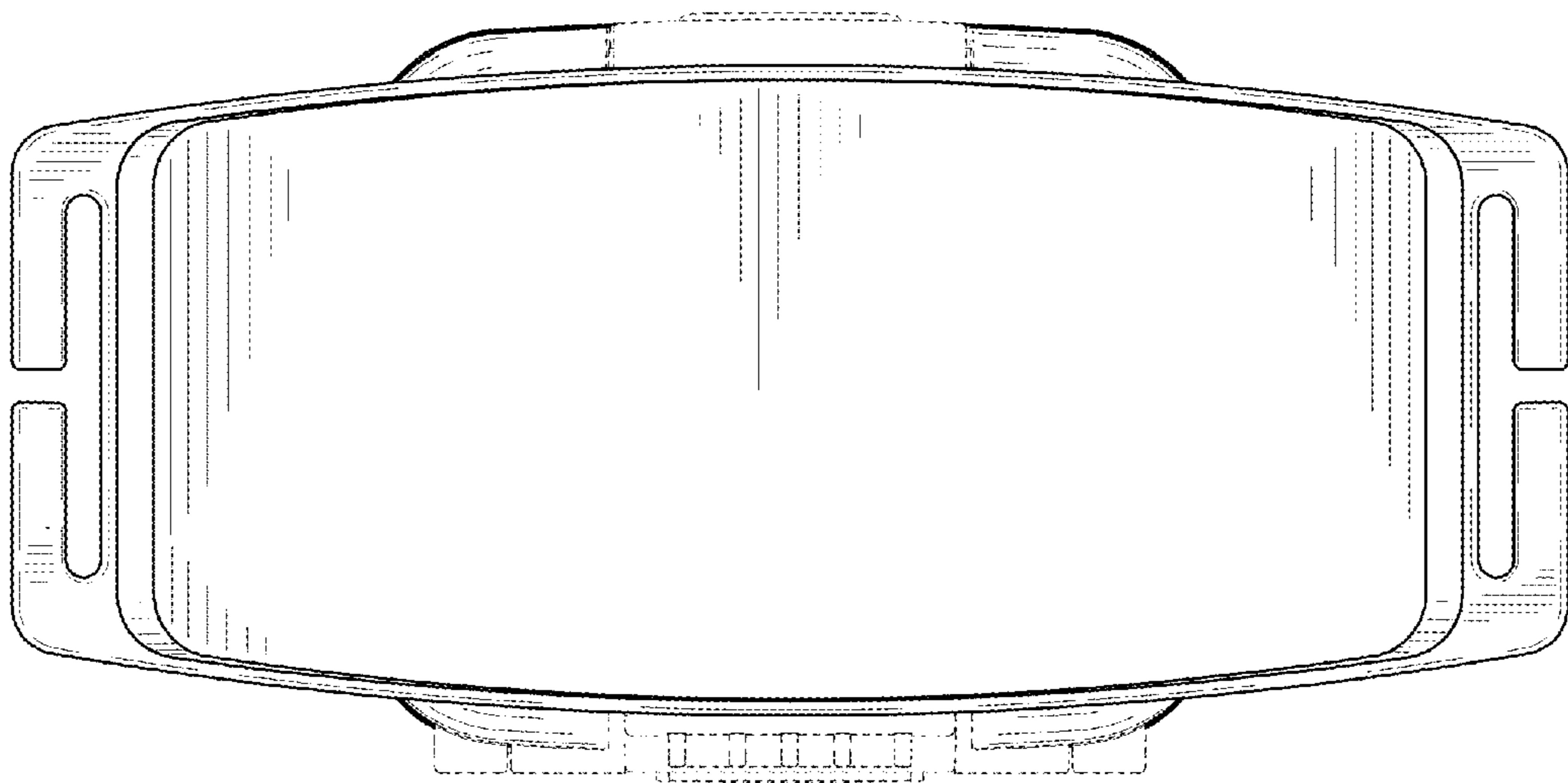


Fig. 6

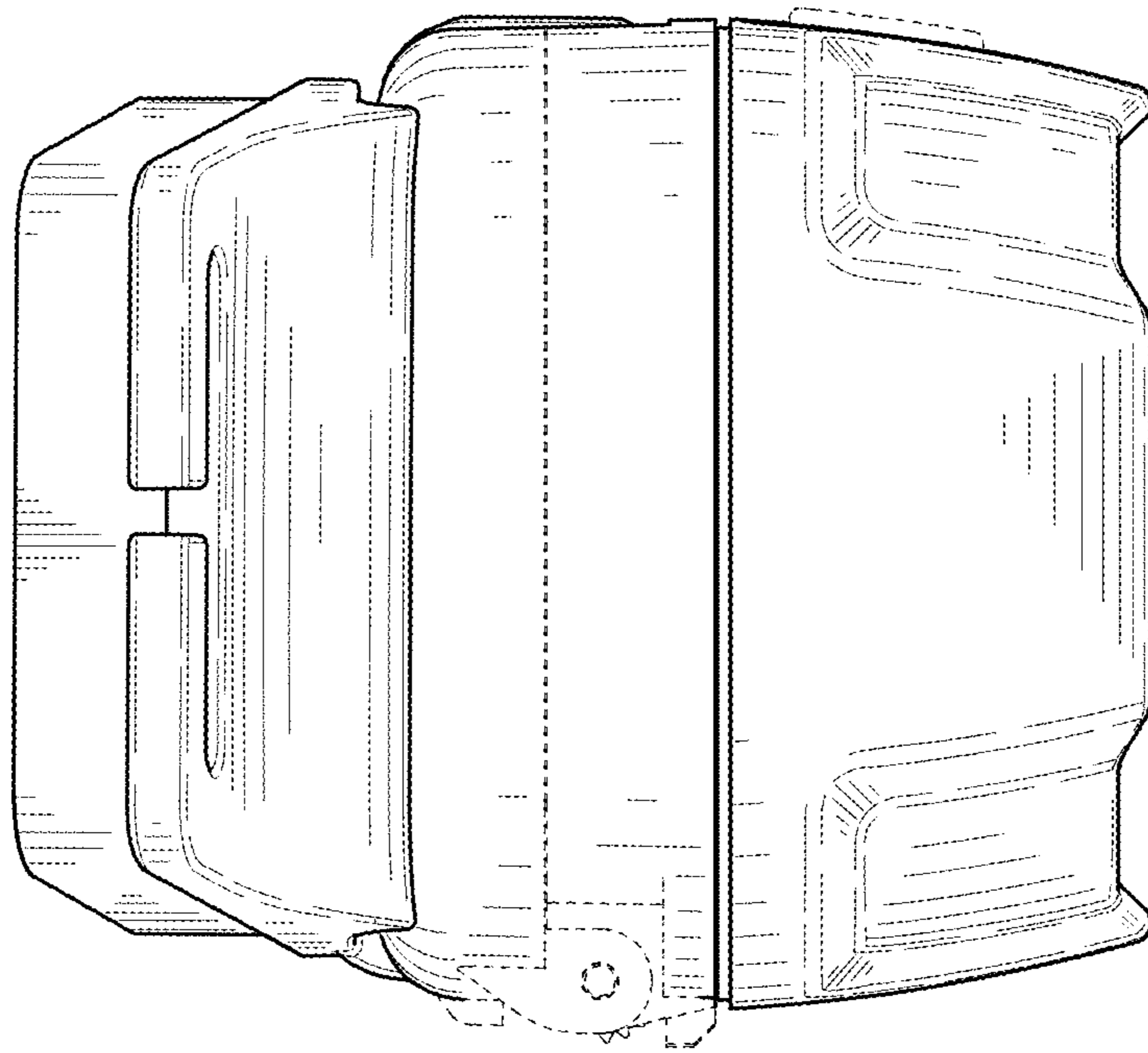


Fig. 7

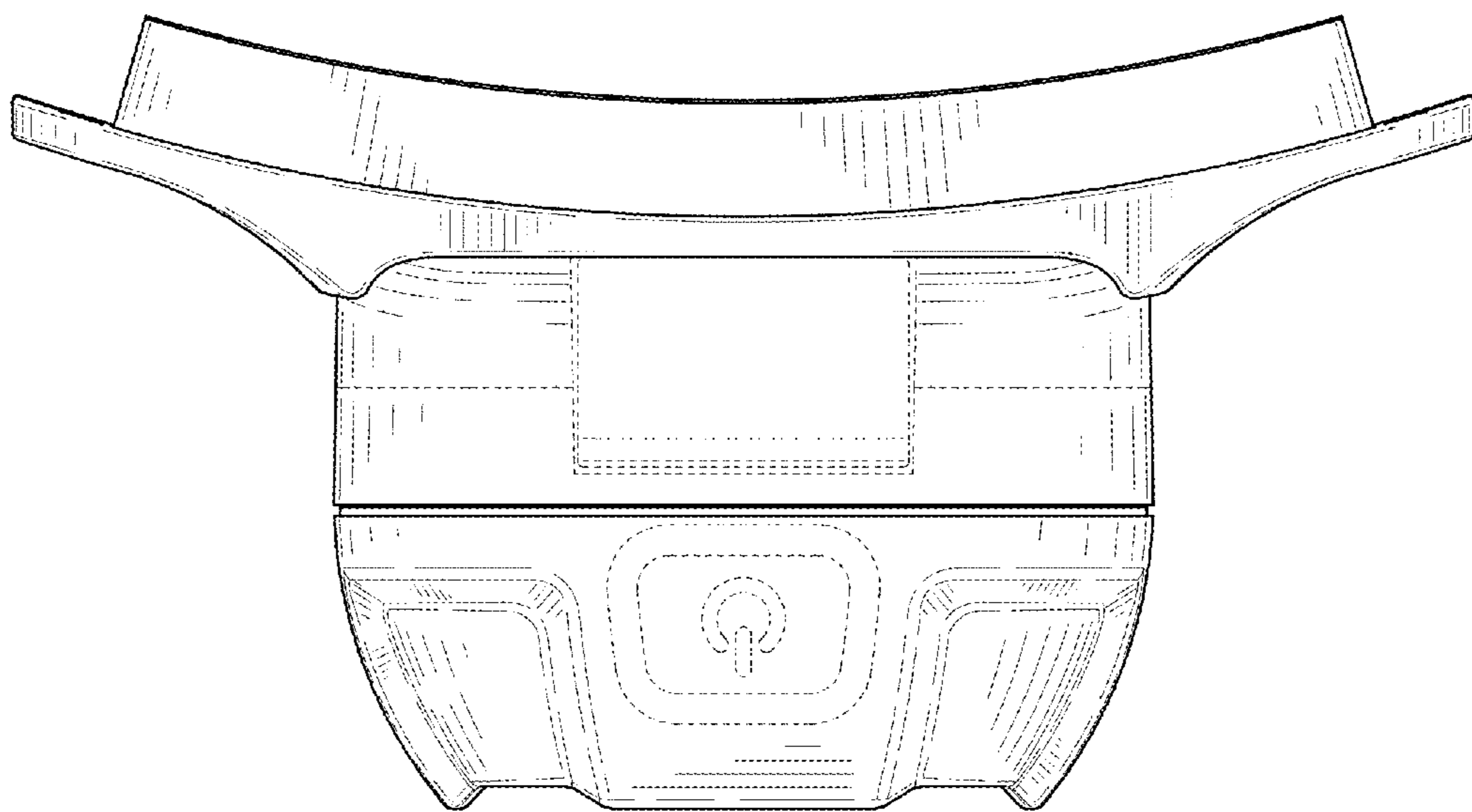


Fig. 8

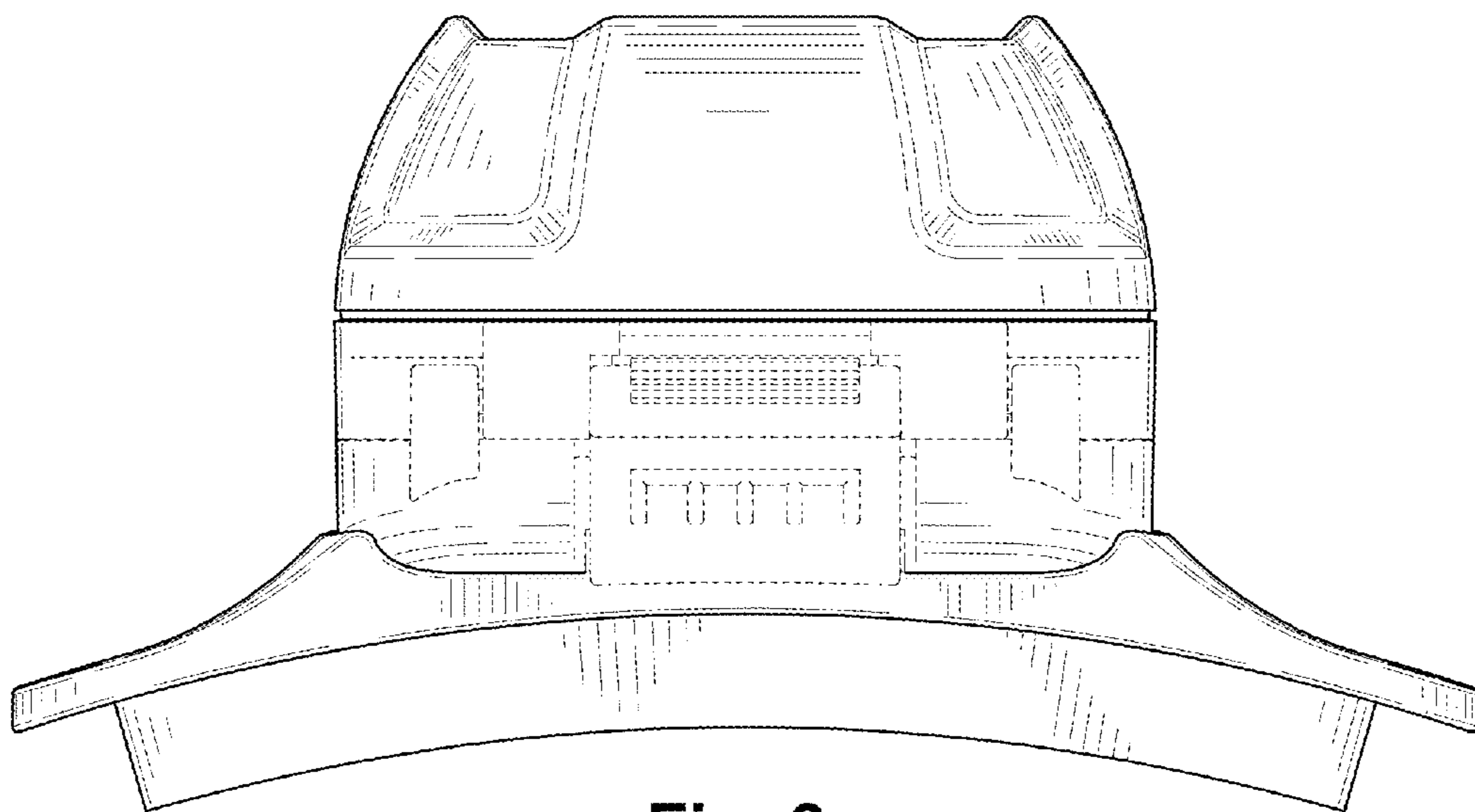


Fig. 9