



US00D707866S

(12) **United States Design Patent**  
**Yoshida et al.**

(10) **Patent No.:** **US D707,866 S**  
(45) **Date of Patent:** **\*\* Jun. 24, 2014**

(54) **HEADLIGHT FOR A MOTOR VEHICLE**

(71) Applicant: **Mazda Motor Corporation**, Hiroshima (JP)

(72) Inventors: **Atsushi Yoshida**, Hiroshima (JP); **Go Nakano**, Hiroshima (JP); **Hitomaro Asano**, Hiroshima (JP); **Ryousuke Nozaki**, Hiroshima (JP); **Shinichi Harada**, Hiroshima (JP)

(73) Assignee: **Mazda Motor Corporation**, Hiroshima (JP)

(\*\*) Term: **14 Years**

(21) Appl. No.: **29/451,106**

(22) Filed: **Mar. 27, 2013**

(30) **Foreign Application Priority Data**

Oct. 9, 2012 (JP) ..... D2012-024532

(51) **LOC (10) Cl.** ..... **26-06**

(52) **U.S. Cl.**  
USPC ..... **D26/28**

(58) **Field of Classification Search**  
USPC ..... D26/28-36; 362/459-468, 475-478, 362/485-487  
See application file for complete search history.

(56) **References Cited**

**U.S. PATENT DOCUMENTS**

D538,956 S \* 3/2007 Ishii ..... D26/28  
D544,614 S \* 6/2007 Markefka ..... D26/28  
D561,358 S \* 2/2008 Tachibana ..... D26/28

D570,007 S \* 5/2008 Hsu ..... D26/28  
D582,587 S \* 12/2008 Yang ..... D26/28  
D593,232 S \* 5/2009 Koman et al. .... D26/28  
D635,694 S \* 4/2011 Yang et al. .... D26/28

**FOREIGN PATENT DOCUMENTS**

DE 40 2011 003 442 1/2012

**OTHER PUBLICATIONS**

Mazda; News Release “News from Mazda: World Premiere of All-New Mazda6 Wagon at 2012 Paris Motor Show”; Sep. 5, 2012; www.mazda.com/publicity/release/2012/201209/120905a.html.  
Mazda; News Release “News from Mazda: All-New Mazda6 Sedan World Premiere at 2012 Moscow Motor Show”; Jul. 25, 2012; www.mazda.com/publicity/release/2012/201207/120725b.html.

\* cited by examiner

*Primary Examiner* — Marcus Jackson

(74) *Attorney, Agent, or Firm* — Studebaker & Brackett PC

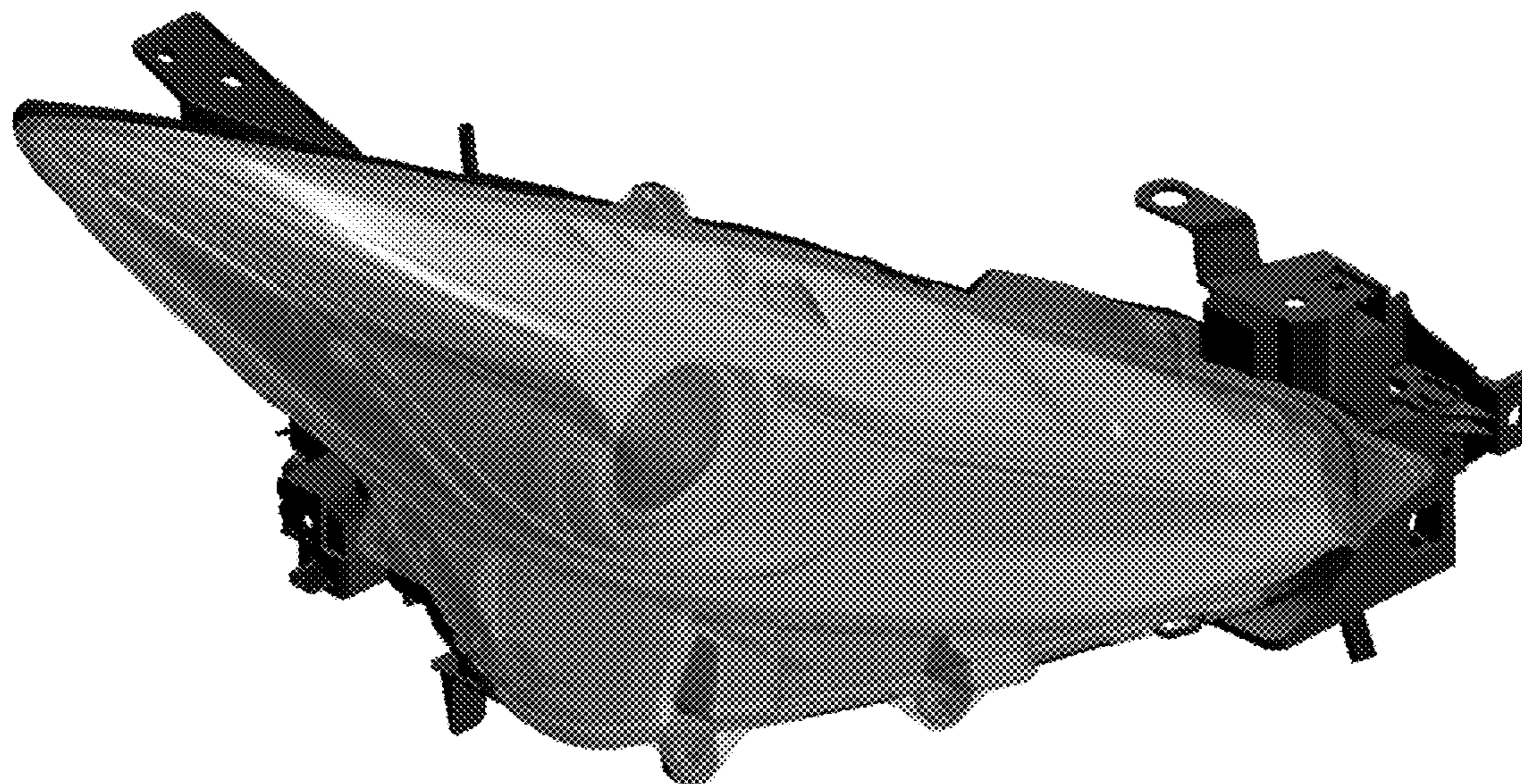
(57) **CLAIM**

The ornamental design for a headlight for a motor vehicle, as shown and described.

**DESCRIPTION**

FIG. 1 is a first perspective view of a headlight for a motor vehicle;  
FIG. 2 is a second perspective view thereof;  
FIG. 3 is a front view thereof;  
FIG. 4 is a rear view thereof;  
FIG. 5 is a left side view thereof;  
FIG. 6 is a right side view thereof;  
FIG. 7 is a top view thereof; and,  
FIG. 8 is a bottom view thereof.

**1 Claim, 8 Drawing Sheets**





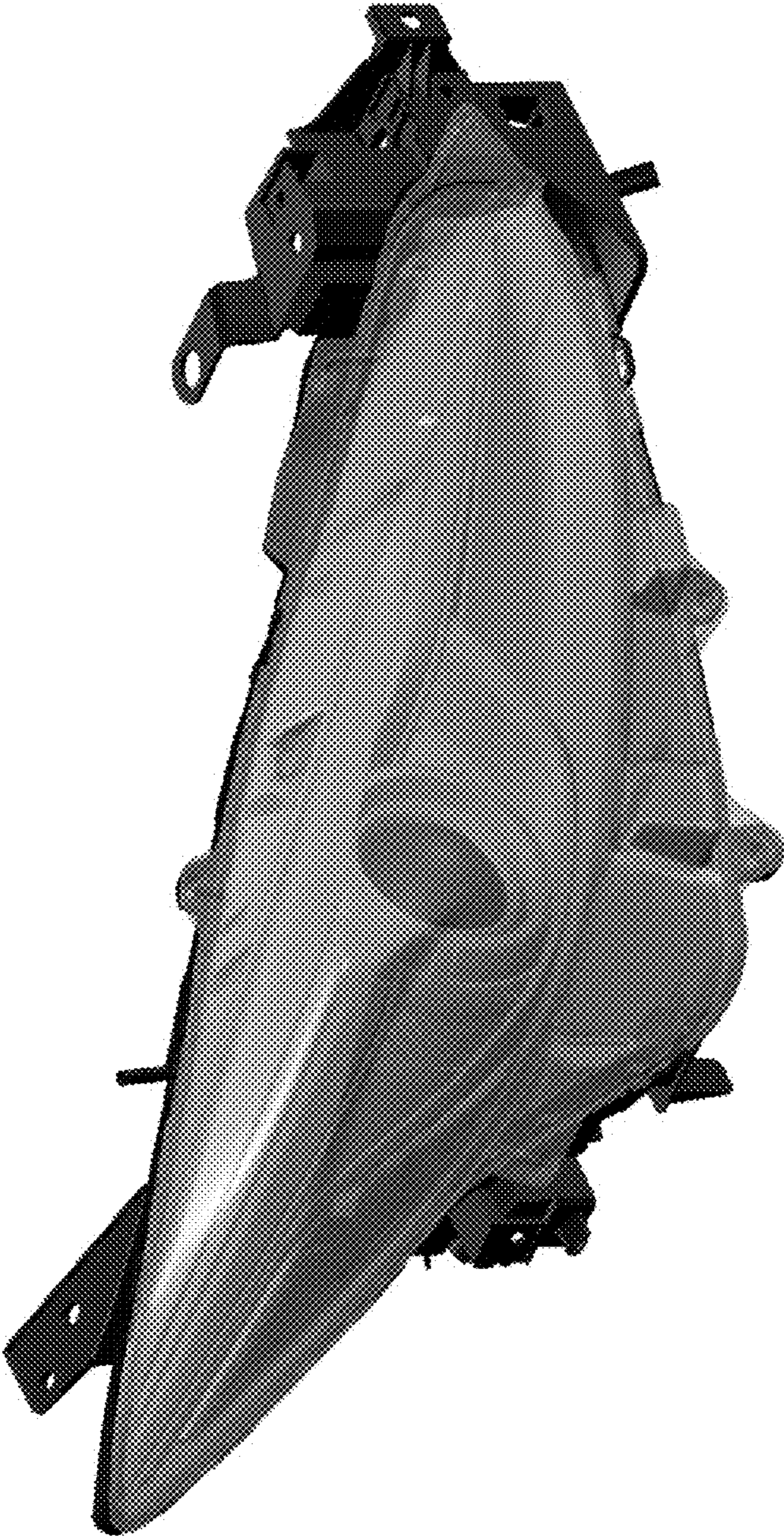


FIG.1



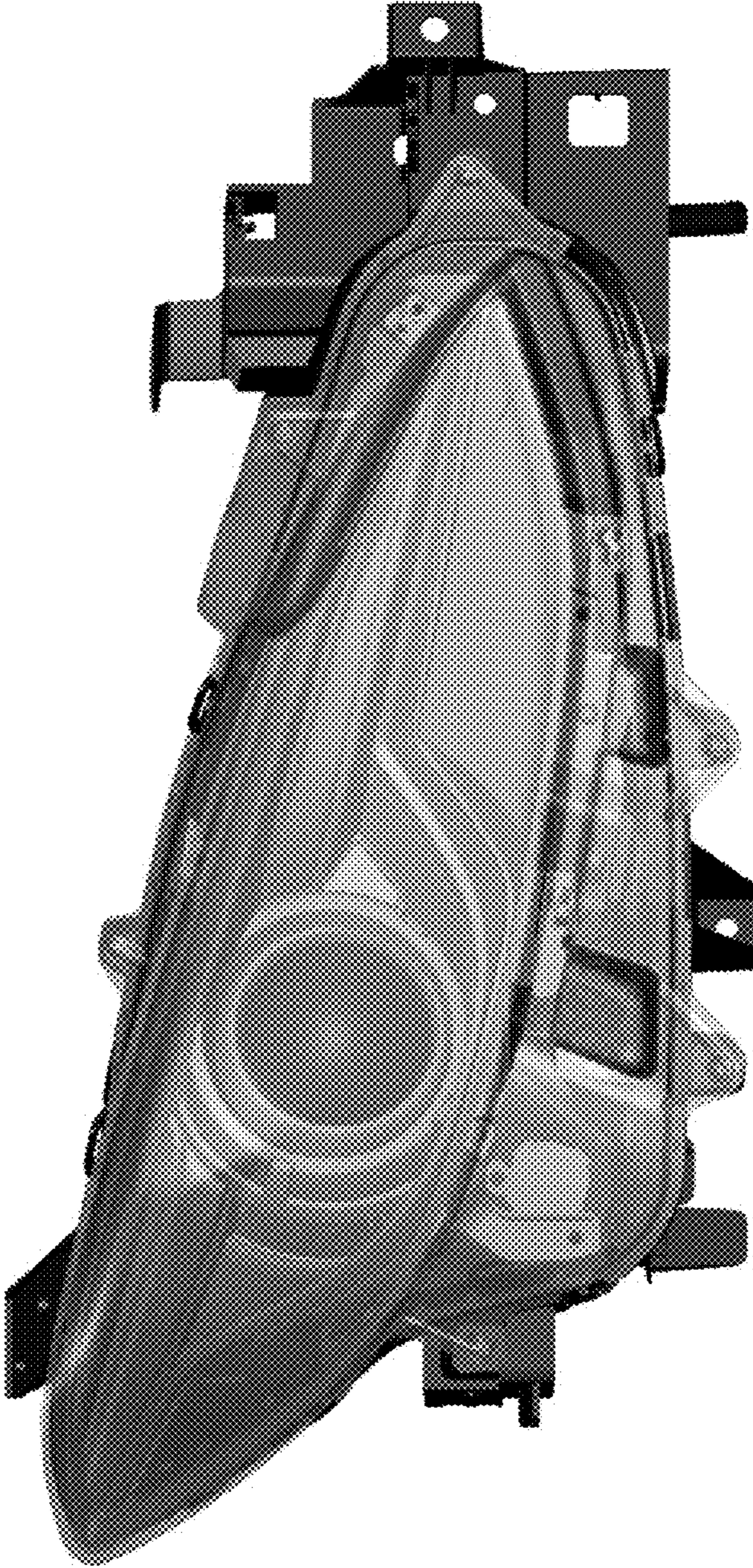


FIG. 2



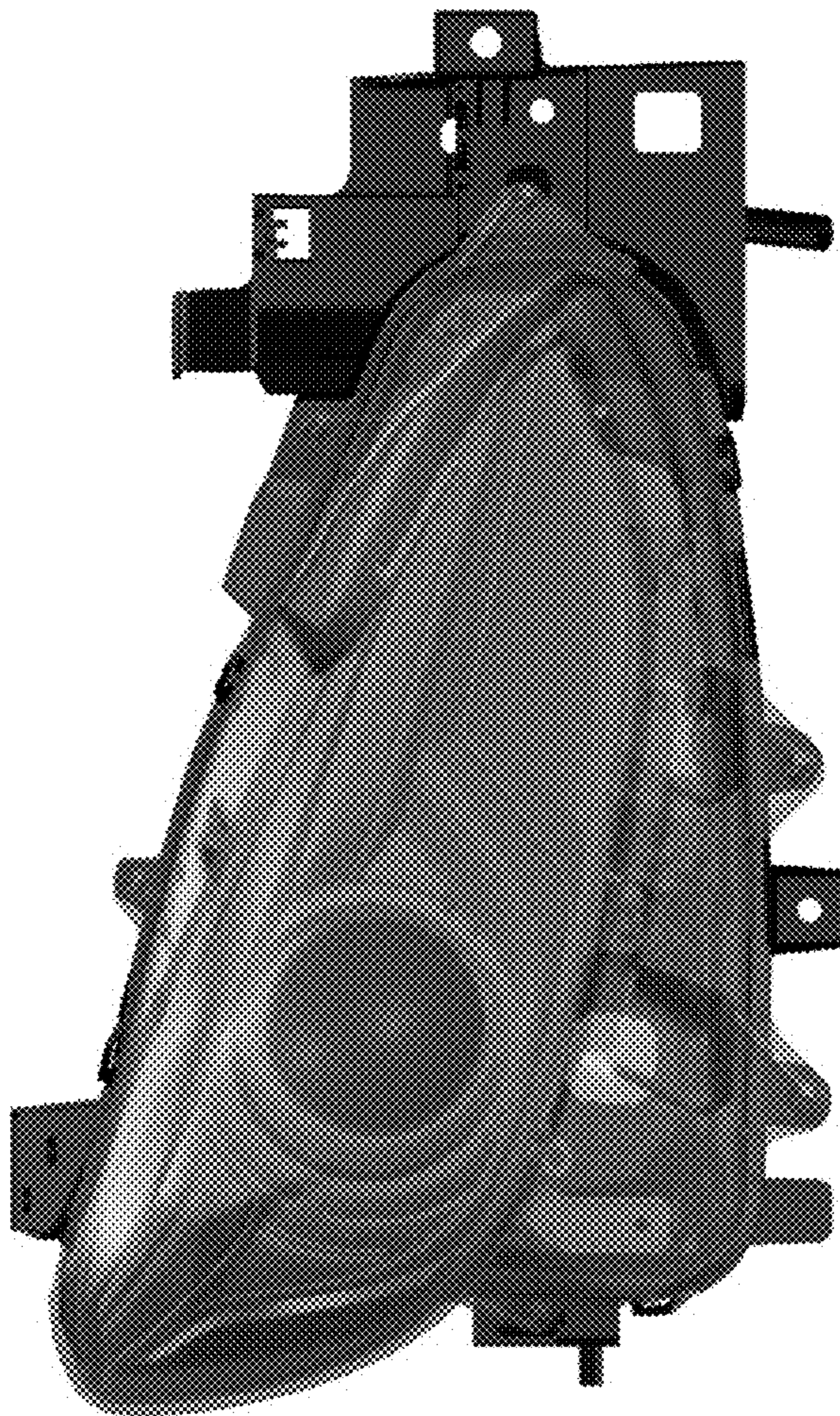


FIG. 3



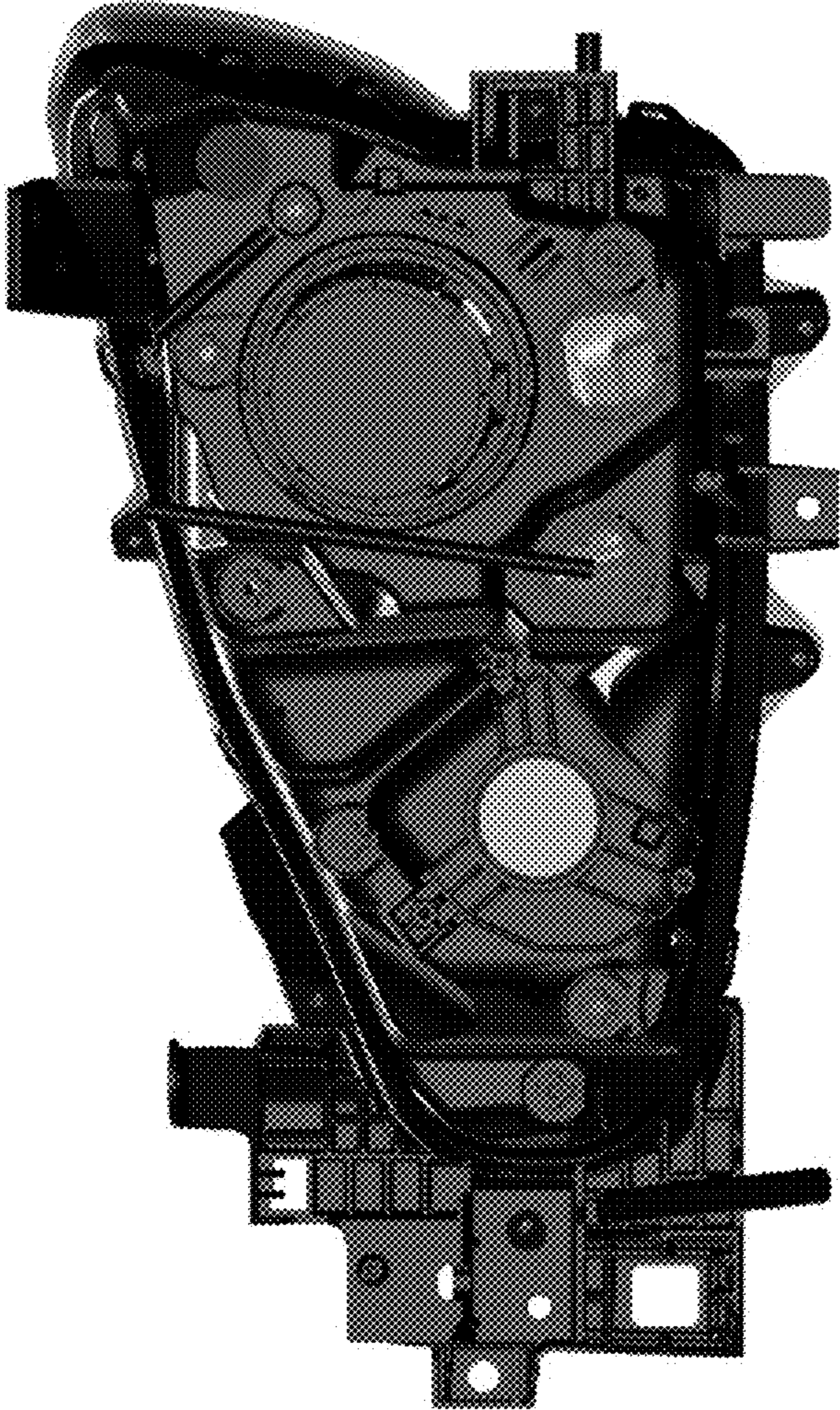


FIG.4

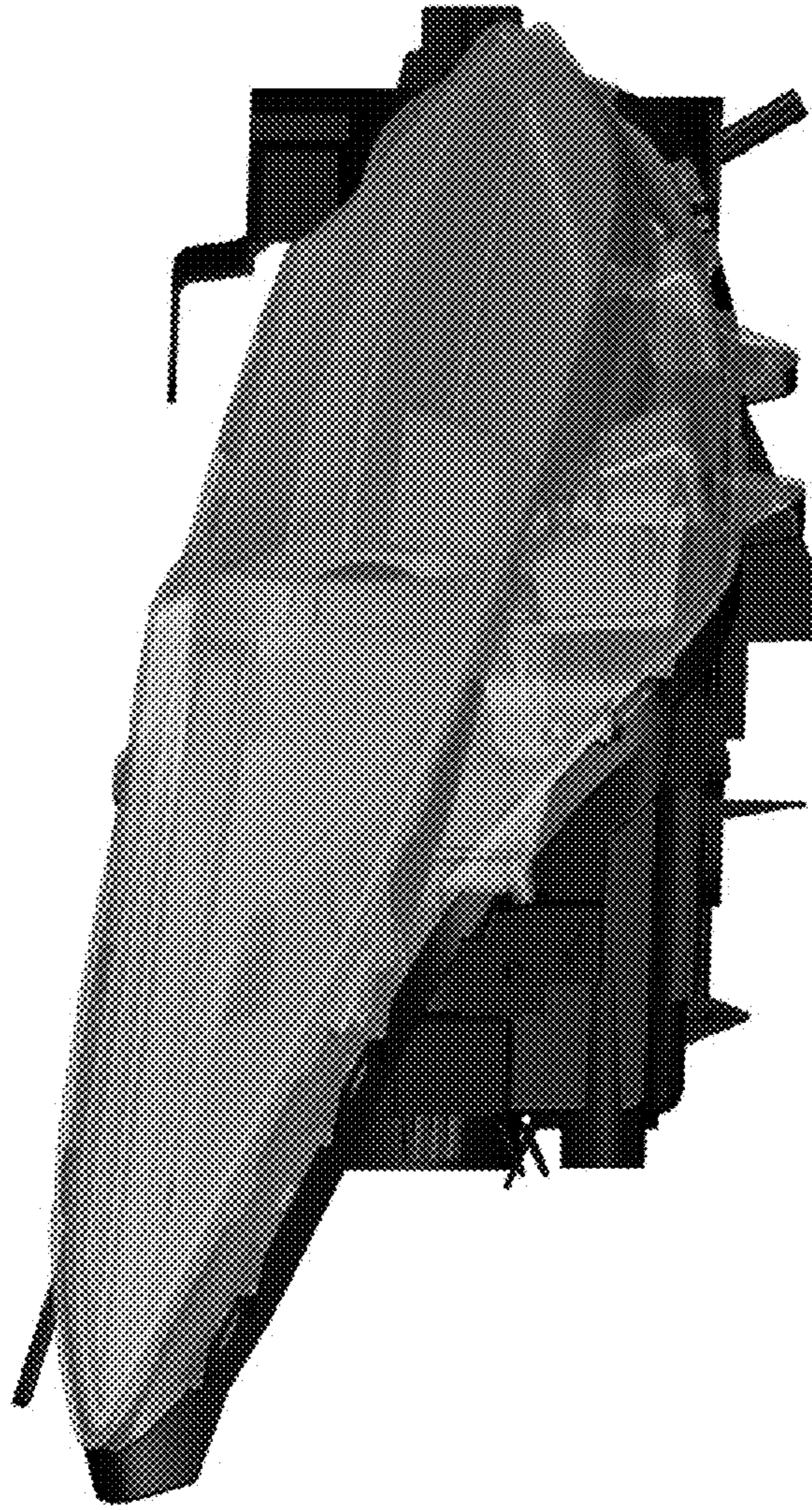


FIG. 5



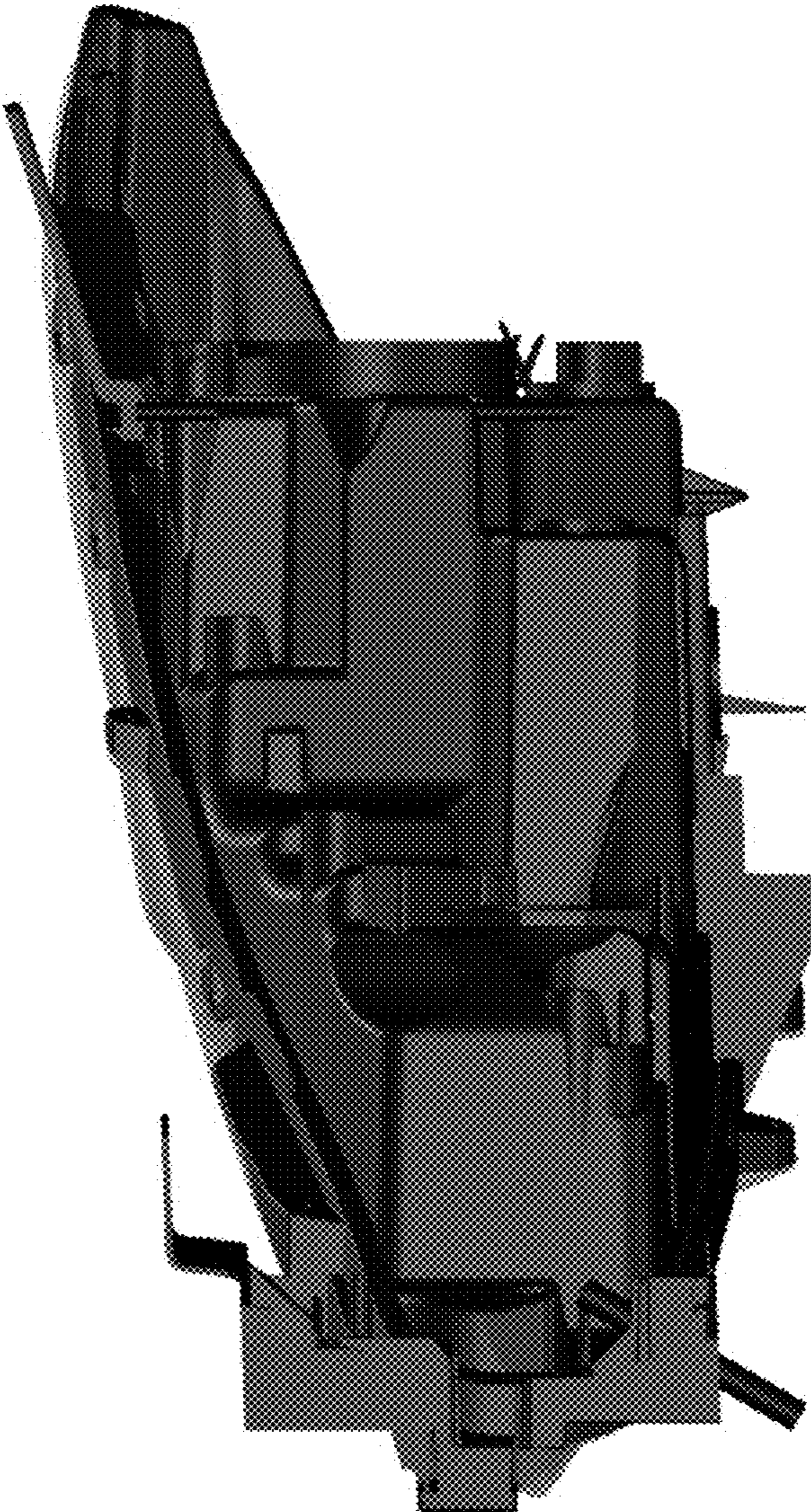


FIG. 6

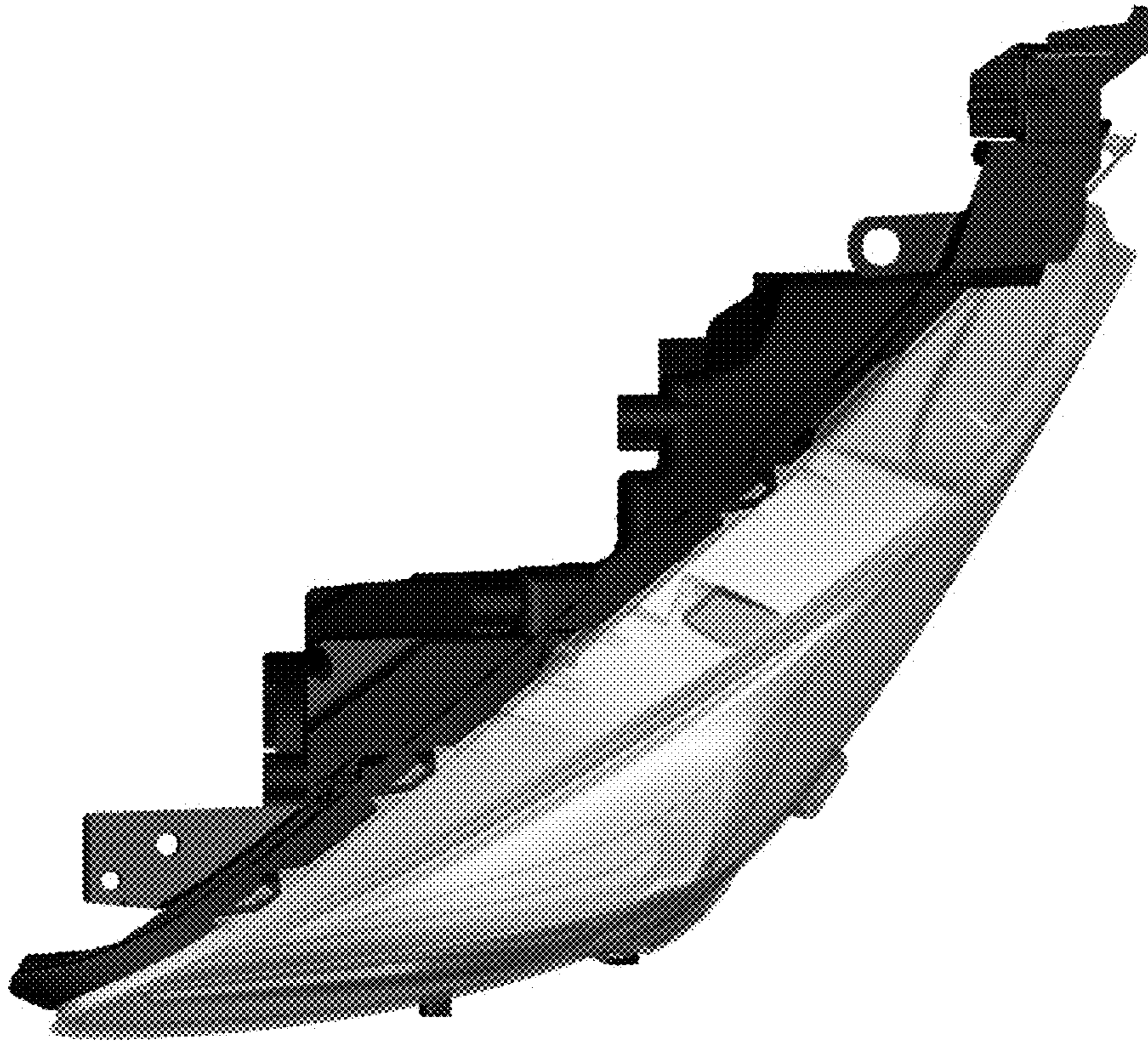


FIG. 7



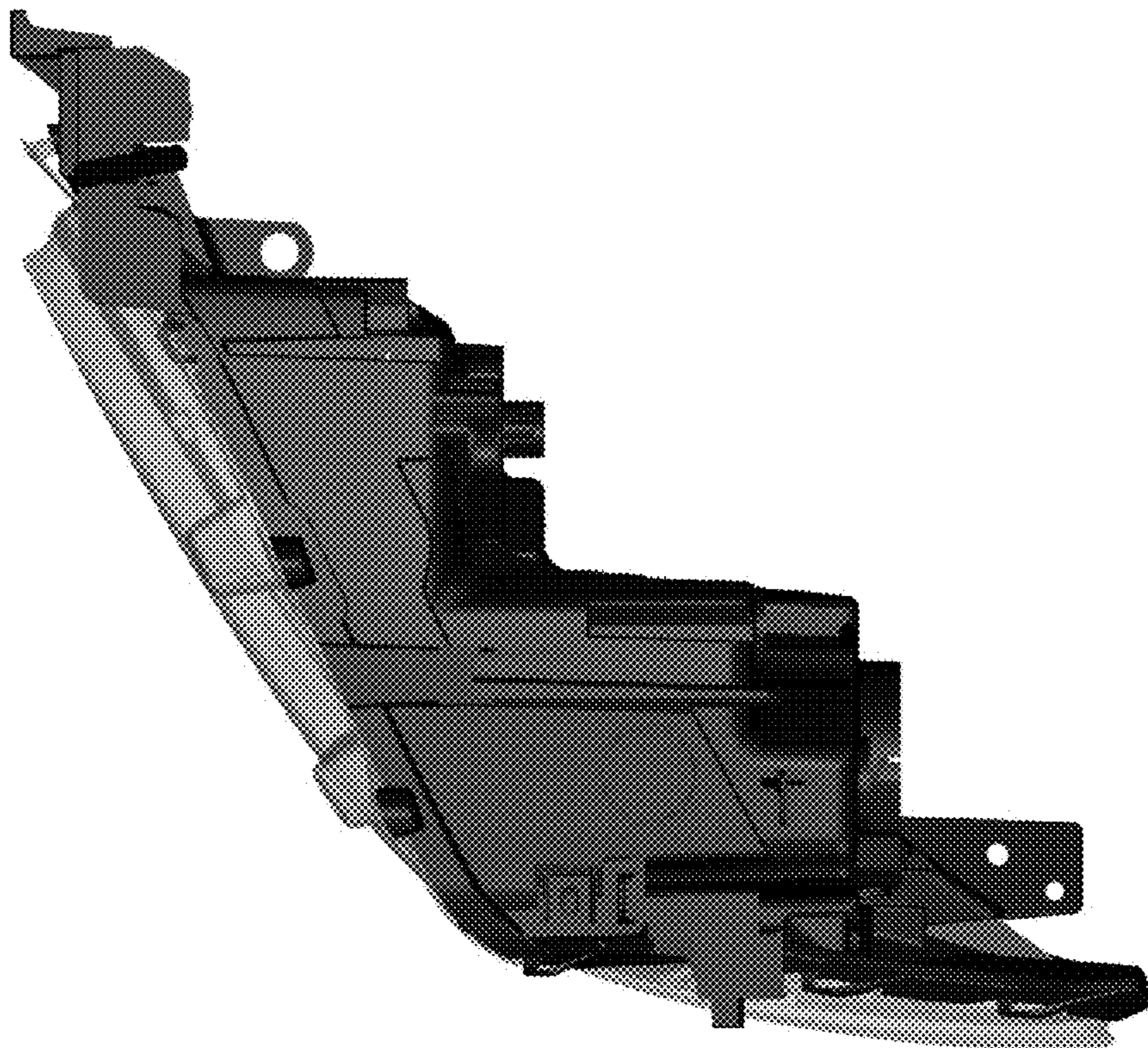


FIG. 8