



US00D707865S

(12) **United States Design Patent**
Yoshida et al.

(10) **Patent No.:** **US D707,865 S**
(45) **Date of Patent:** **** Jun. 24, 2014**

(54) **HEADLIGHT FOR A MOTOR VEHICLE**

(71) Applicant: **Mazda Motor Corporation**, Hiroshima (JP)

(72) Inventors: **Atsushi Yoshida**, Hiroshima (JP); **Go Nakano**, Hiroshima (JP); **Kouta Akagawa**, Hiroshima (JP); **Ryousuke Nozaki**, Hiroshima (JP); **Yasunori Kawano**, Hiroshima (JP)

(73) Assignee: **Mazda Motor Corporation**, Hiroshima (JP)

(**) Term: **14 Years**

(21) Appl. No.: **29/451,104**

(22) Filed: **Mar. 27, 2013**

(30) **Foreign Application Priority Data**

Oct. 9, 2012 (JP) D2012-024533

(51) **LOC (10) Cl.** **26-06**

(52) **U.S. Cl.**
USPC **D26/28**

(58) **Field of Classification Search**
USPC D26/28-36; 362/459-468, 475-478, 362/485-487
See application file for complete search history.

(56) **References Cited**

U.S. PATENT DOCUMENTS

D538,956 S * 3/2007 Ishii D26/28
D544,614 S * 6/2007 Markefka D26/28
D561,358 S * 2/2008 Tachibana D26/28

D570,007 S * 5/2008 Hsu D26/28
D582,587 S * 12/2008 Yang D26/28
D593,232 S * 5/2009 Koman et al. D26/28
D635,694 S * 4/2011 Yang et al. D26/28

FOREIGN PATENT DOCUMENTS

DE 402011003442 1/2012

OTHER PUBLICATIONS

Mazda; News Release "News from Mazda: World Premier of All-New Mazda6 Wagon at 2012 Paris Motor Show"; Sep. 5, 2012; www.mazda.com/publicity/release/2012/201209/120905a.html.
Mazda; News Release "News from Mazda: All-New Mazda6 Sedan World Premier at 2012 Moscow Motor Show"; Jul. 25, 2012; www.mazda.com/publicity/release/2012/201207/120725b.html.

* cited by examiner

Primary Examiner — Marcus Jackson

(74) *Attorney, Agent, or Firm* — Studebaker & Brackett PC

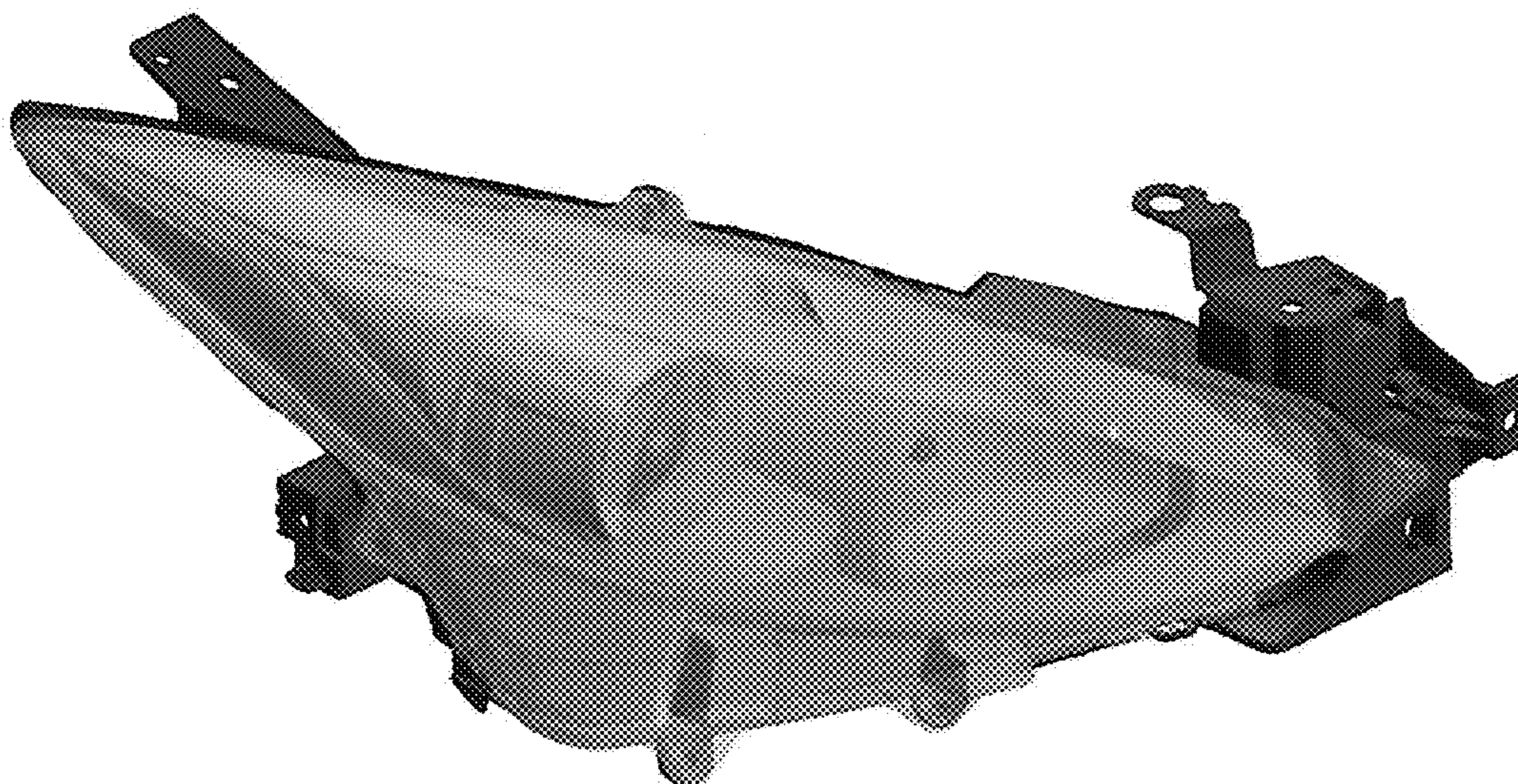
(57) **CLAIM**

The ornamental design for a headlight for a motor vehicle, as shown and described.

DESCRIPTION

FIG. 1 is a first perspective view of a headlight for a motor vehicle;
FIG. 2 is a second perspective view thereof;
FIG. 3 is a front view thereof;
FIG. 4 is a rear view thereof;
FIG. 5 is a left side view thereof;
FIG. 6 is a right side view thereof;
FIG. 7 is a top view thereof; and,
FIG. 8 is a bottom view thereof.

1 Claim, 8 Drawing Sheets



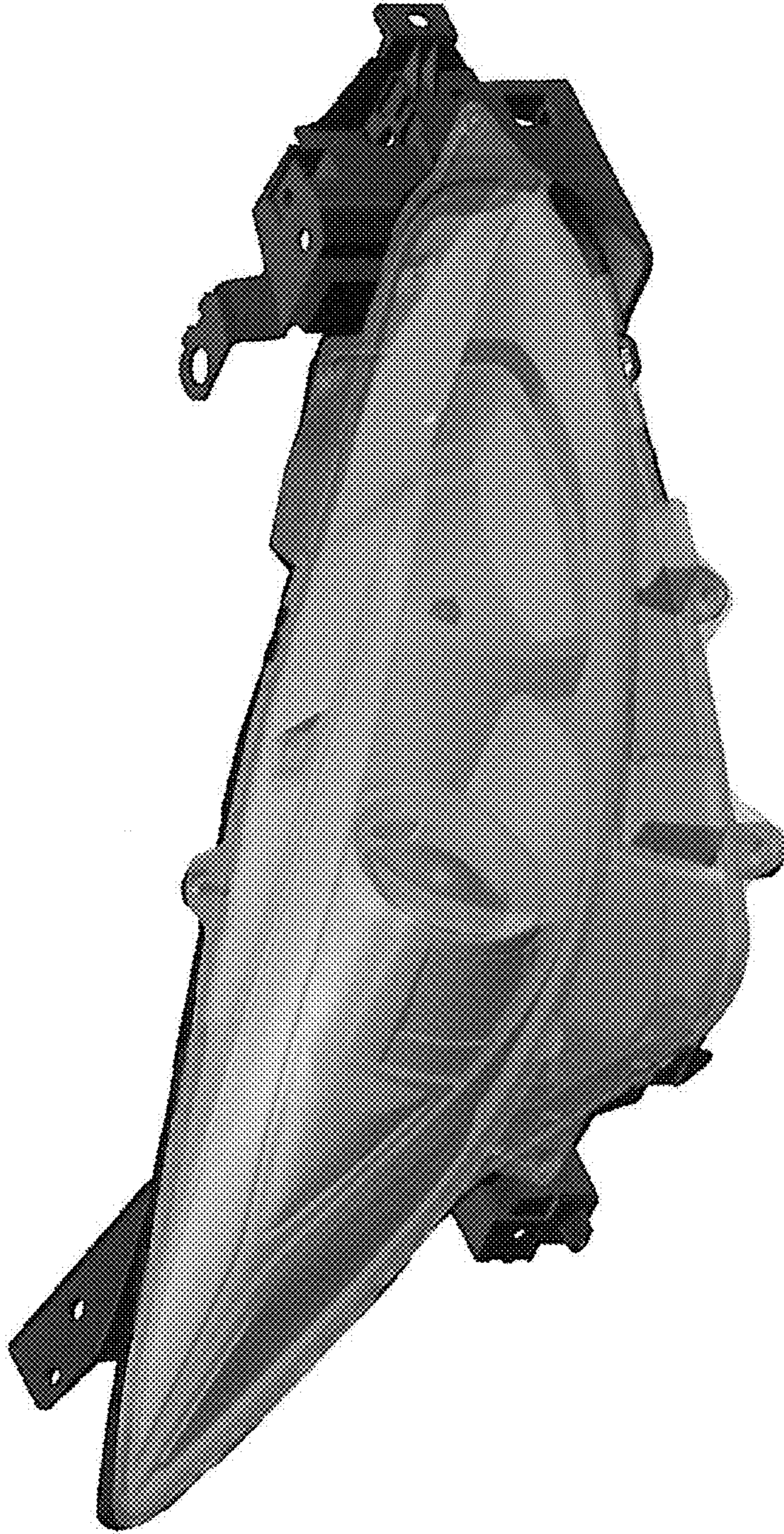


FIG. 1

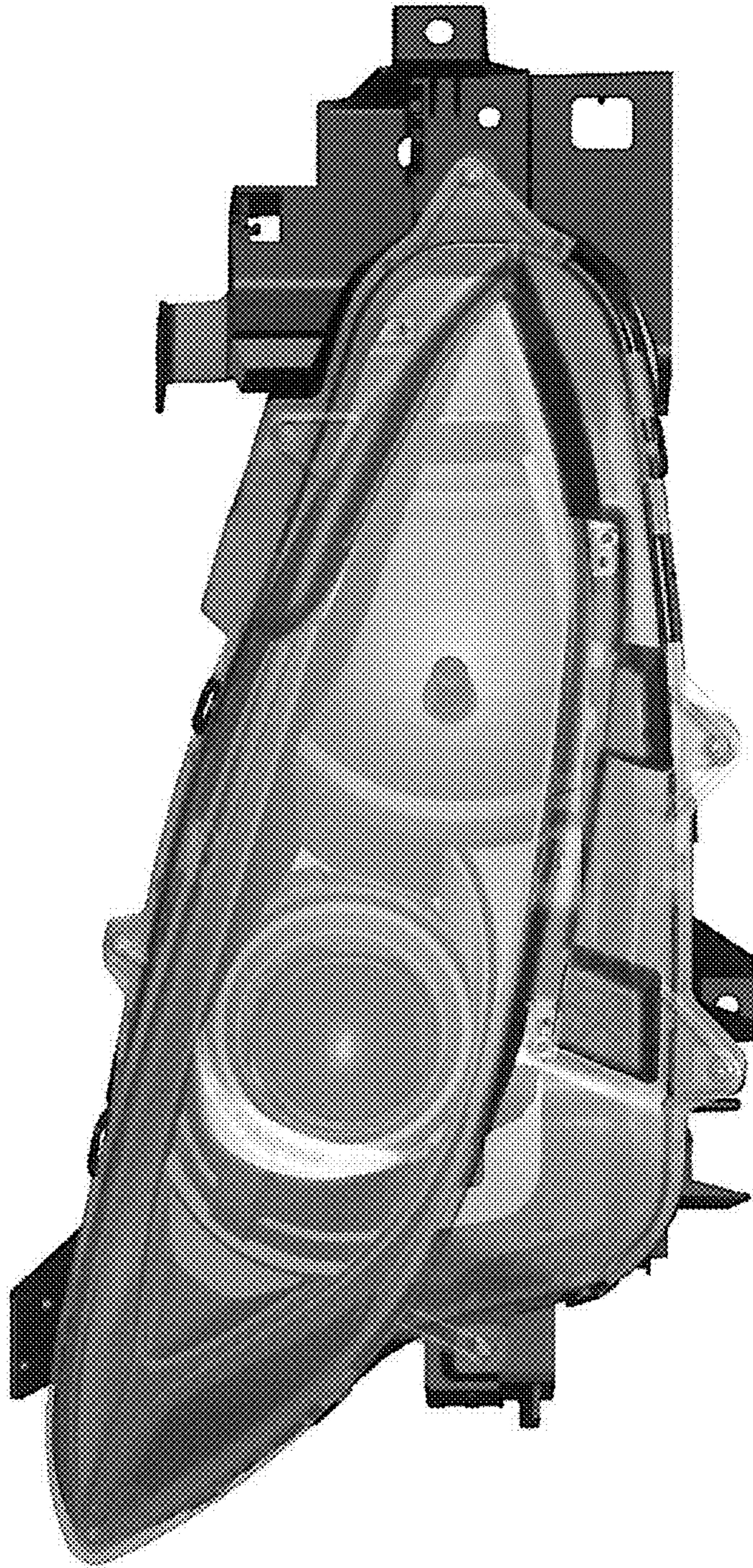


FIG. 2

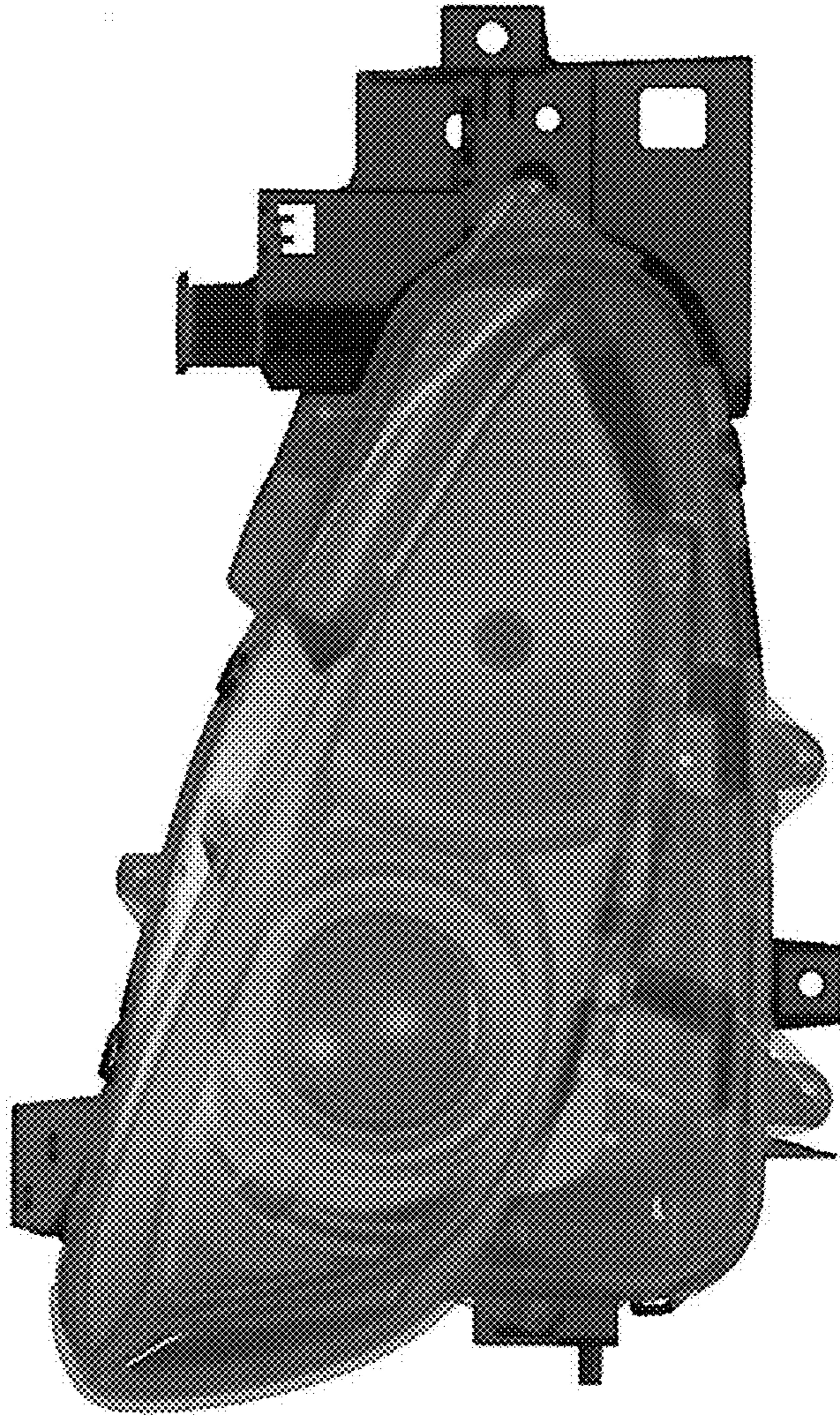


FIG. 3

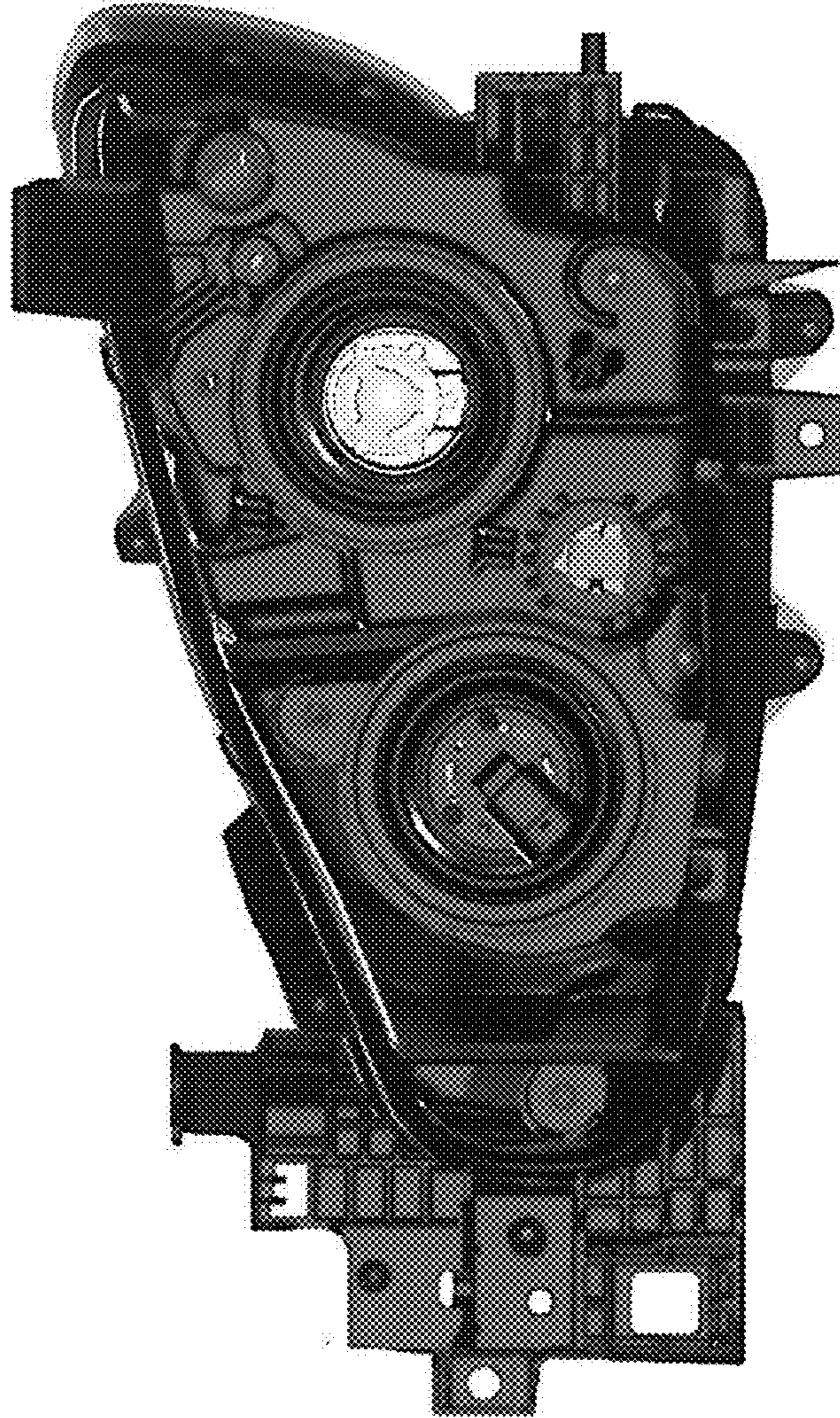


FIG. 4

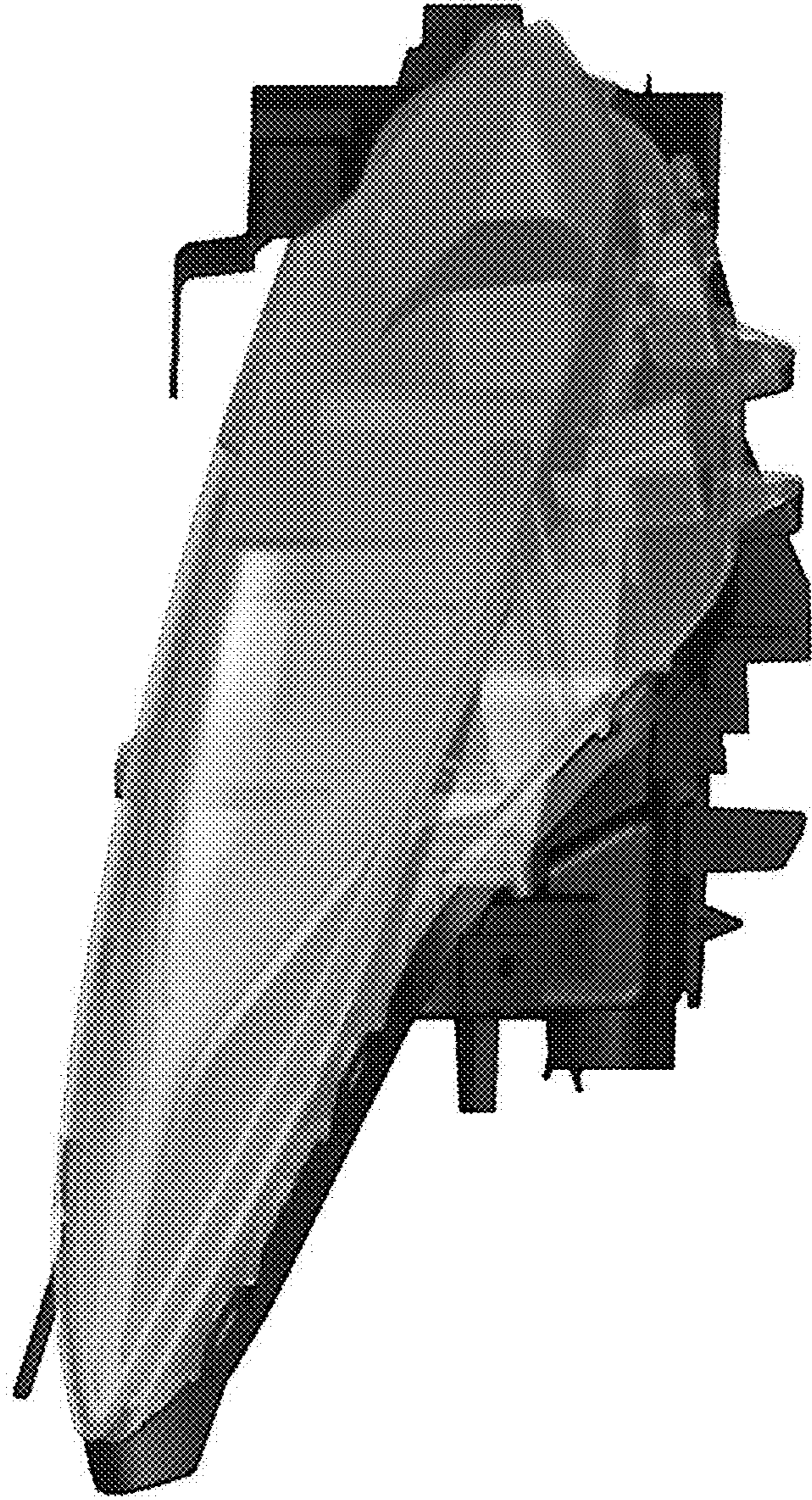


FIG. 5

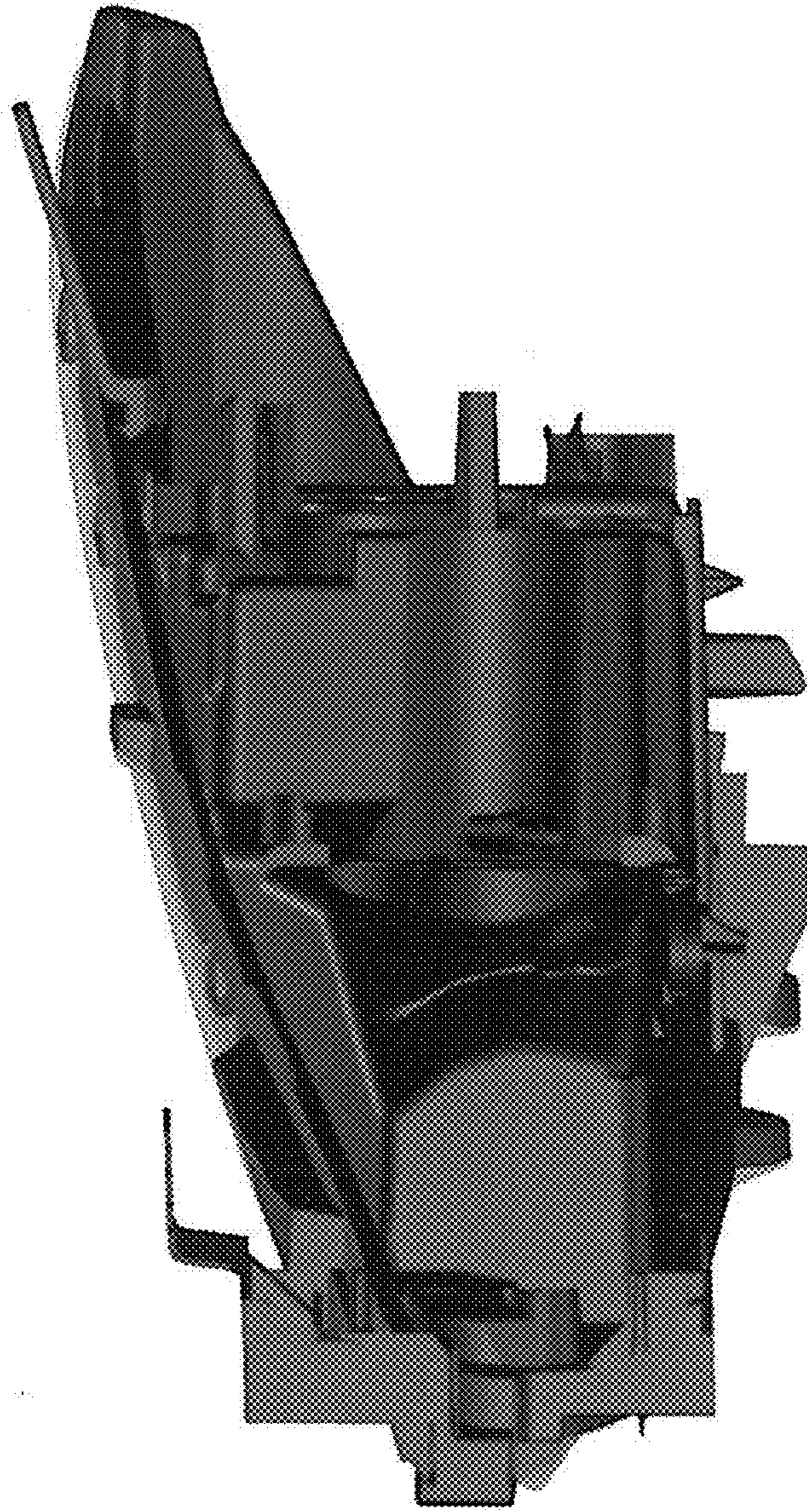


FIG. 6

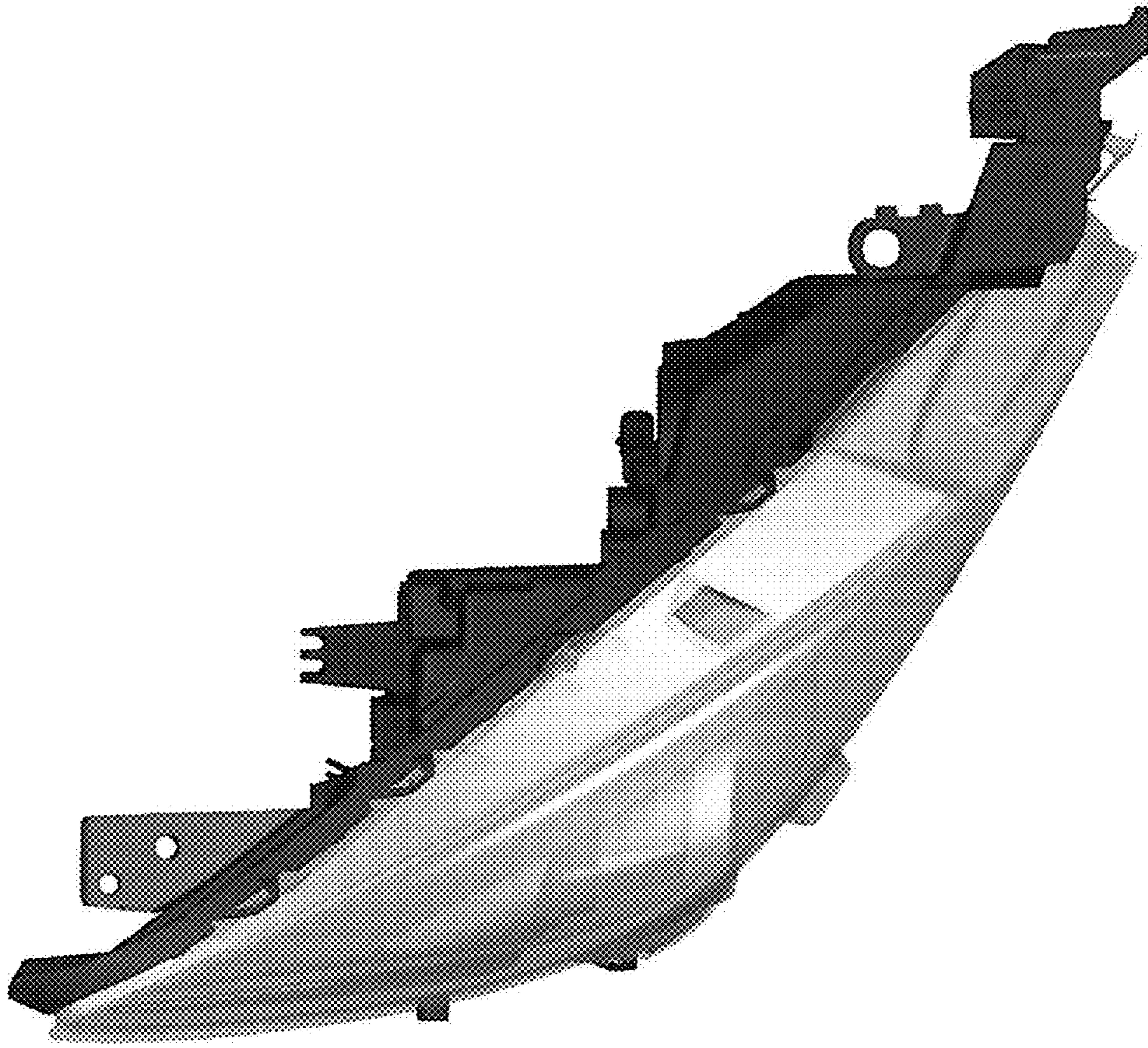


FIG. 7

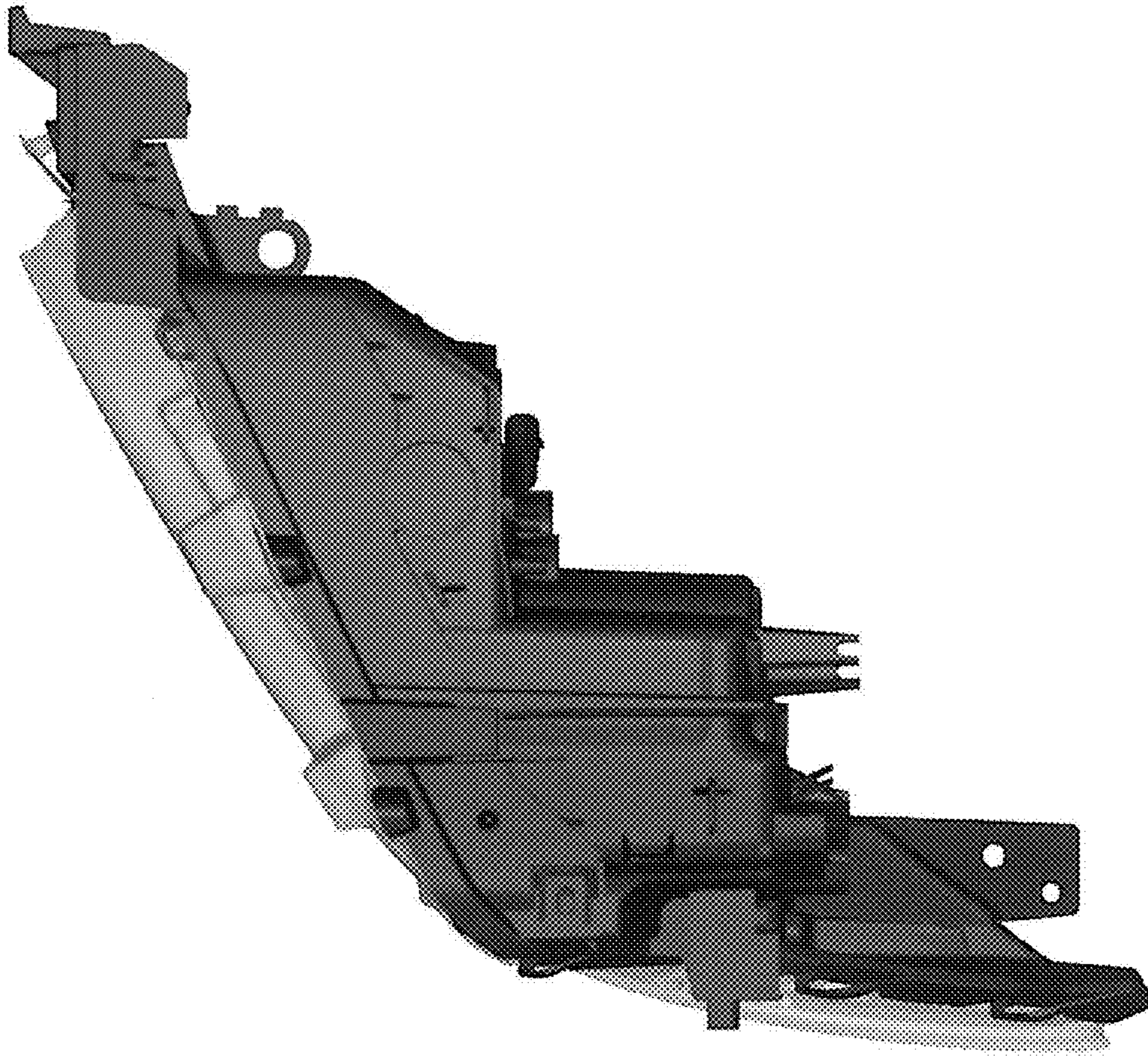


FIG. 8