



US00D707860S

(12) **United States Design Patent**  
**Futschik et al.**

(10) **Patent No.:** **US D707,860 S**  
(45) **Date of Patent:** **\*\* Jun. 24, 2014**

(54) **HEADLIGHT FOR A VEHICLE**  
(75) Inventors: **Hans-Dieter Futschik**, Stuttgart (DE);  
**Stefan Handt**, Stuttgart (DE); **Frank Pfisterer**, Stuttgart (DE); **Juergen Wiesen**, Stuttgart (DE)  
(73) Assignee: **Daimler AG**, Stuttgart (DE)  
(\*\*) Term: **14 Years**

*Primary Examiner* — Marcus Jackson  
(74) *Attorney, Agent, or Firm* — Crowell & Moring LLP

(57) **CLAIM**  
The ornamental design for a headlight for a vehicle, as shown and described.

(21) Appl. No.: **29/423,338**  
(22) Filed: **May 31, 2012**  
(30) **Foreign Application Priority Data**  
Dec. 1, 2011 (DE) ..... 40 2011 005 852  
(51) **LOC (10) Cl.** ..... **26-06**  
(52) **U.S. Cl.**  
USPC ..... **D26/28**  
(58) **Field of Classification Search**  
USPC ..... D26/28-36; 362/459-468, 475-478,  
362/485-487  
See application file for complete search history.

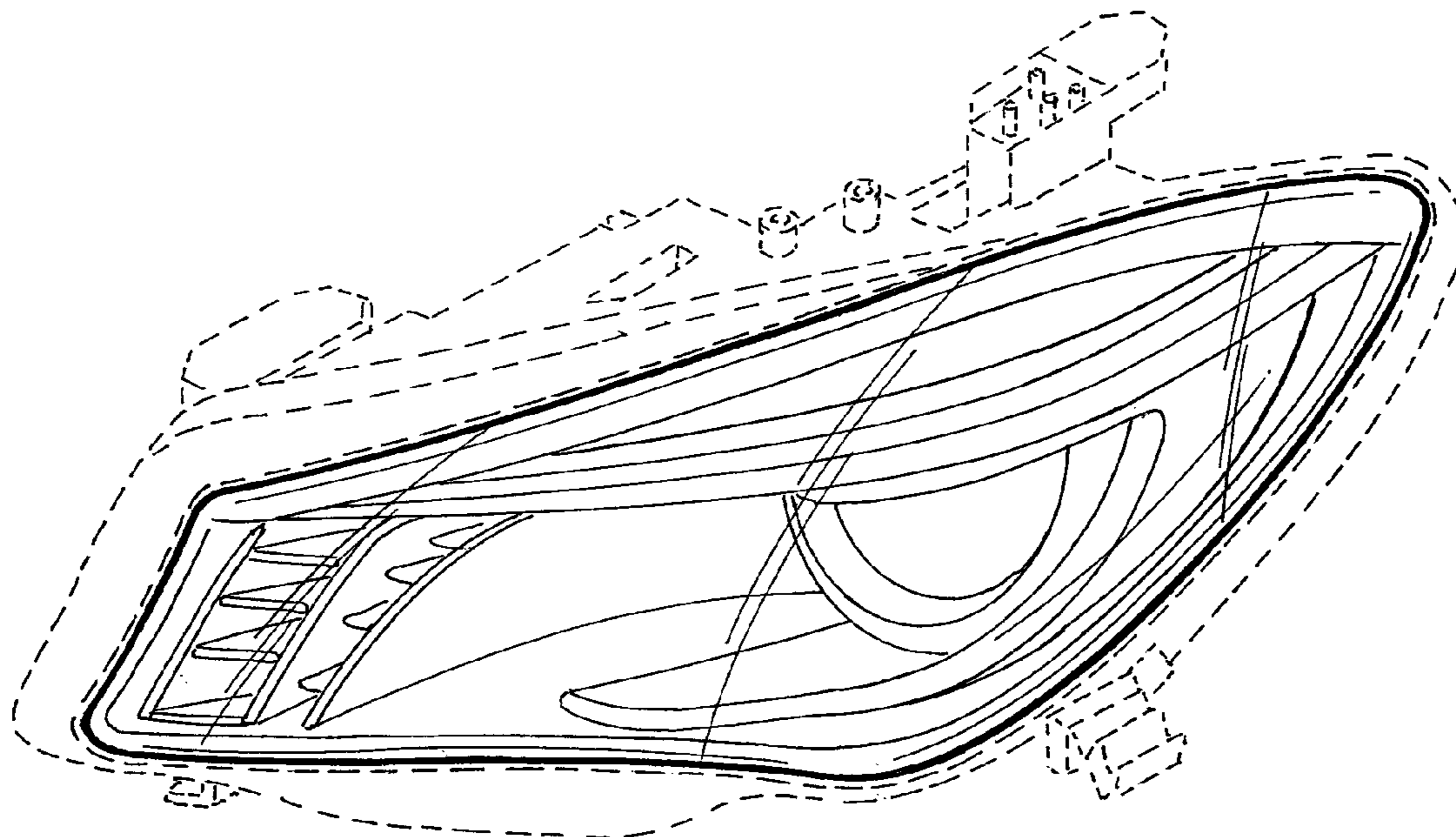
**DESCRIPTION**

This application contains subject matter related to the following co-pending U.S. design patent applications: Application Ser.No. 29/423,329, filed herewith and entitled "Vehicle, Toy, and/or Replicas Thereof"; Application Ser. No. 29/423,330, filed herewith and entitled "Front Portion of a Vehicle, Toy, and/or Replicas Thereof"; and Application Ser. No. 29/423,337, filed herewith and entitled "Headlight for a Vehicle".  
FIG. 1 is a right side perspective view of a first embodiment of a headlight for a vehicle according to our design;  
FIG. 2 is a front view thereof;  
FIG. 3 is a right side view thereof; and  
FIG. 4 is a top view thereof.  
FIG. 5 is a left side perspective view of a second embodiment of the headlight for a vehicle according to our design, with the headlight for a vehicle for the opposite side of the vehicle being depicted in the first embodiment;  
FIG. 6 is a front view thereof;  
FIG. 7 is a left side view thereof; and,  
FIG. 8 is a top view thereof.  
The broken lines are for illustrative purposes only and form no part of the claimed design.

(56) **References Cited**  
U.S. PATENT DOCUMENTS  
D538,956 S \* 3/2007 Ishii ..... D26/28  
D544,614 S \* 6/2007 Markefka ..... D26/28  
D556,349 S \* 11/2007 Golden et al. .... D26/28  
D561,358 S \* 2/2008 Tachibana ..... D26/28  
D570,007 S \* 5/2008 Hsu ..... D26/28  
D688,824 S \* 8/2013 Binder et al. .... D26/28

\* cited by examiner

**1 Claim, 4 Drawing Sheets**



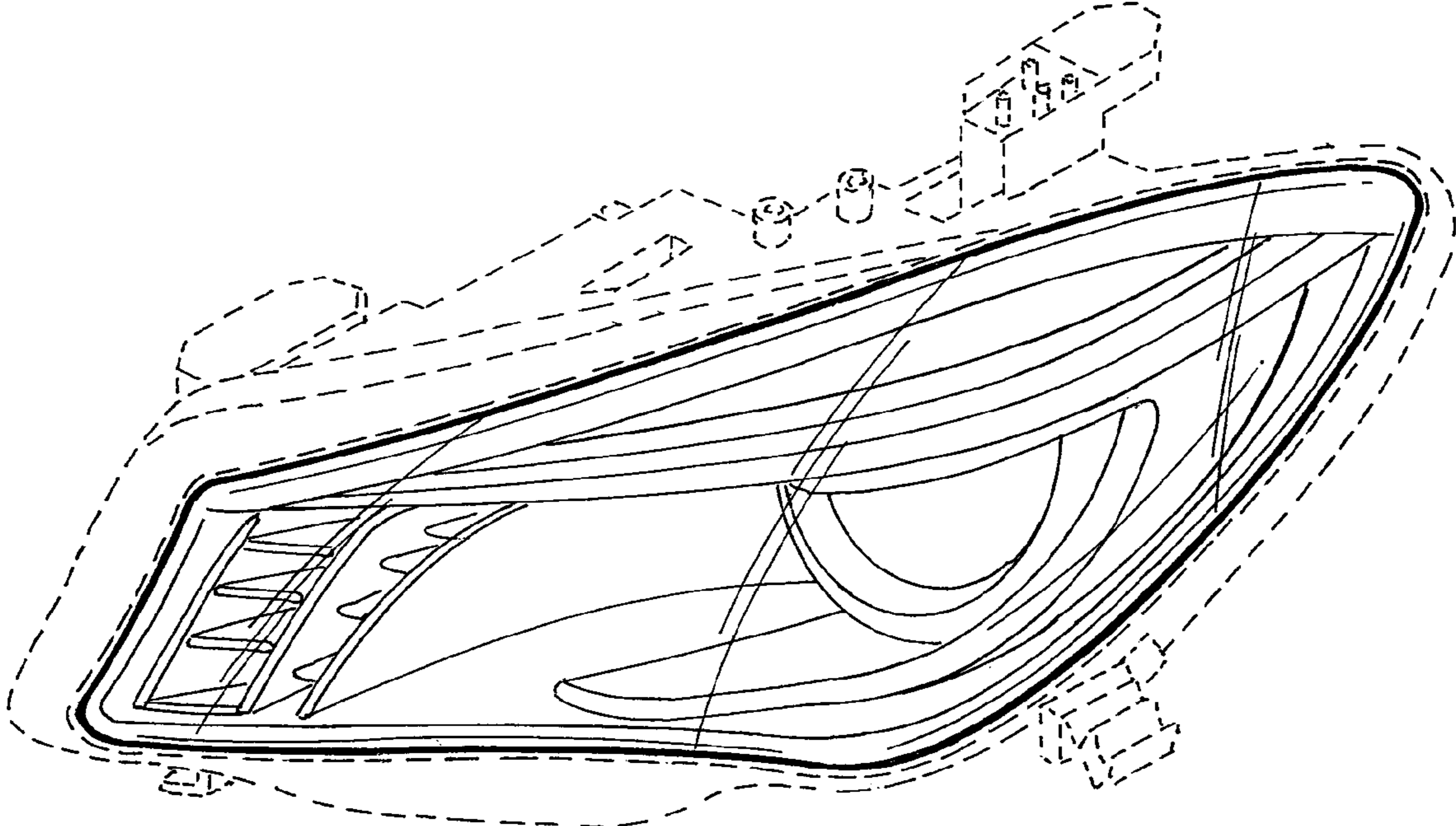


FIG. 1

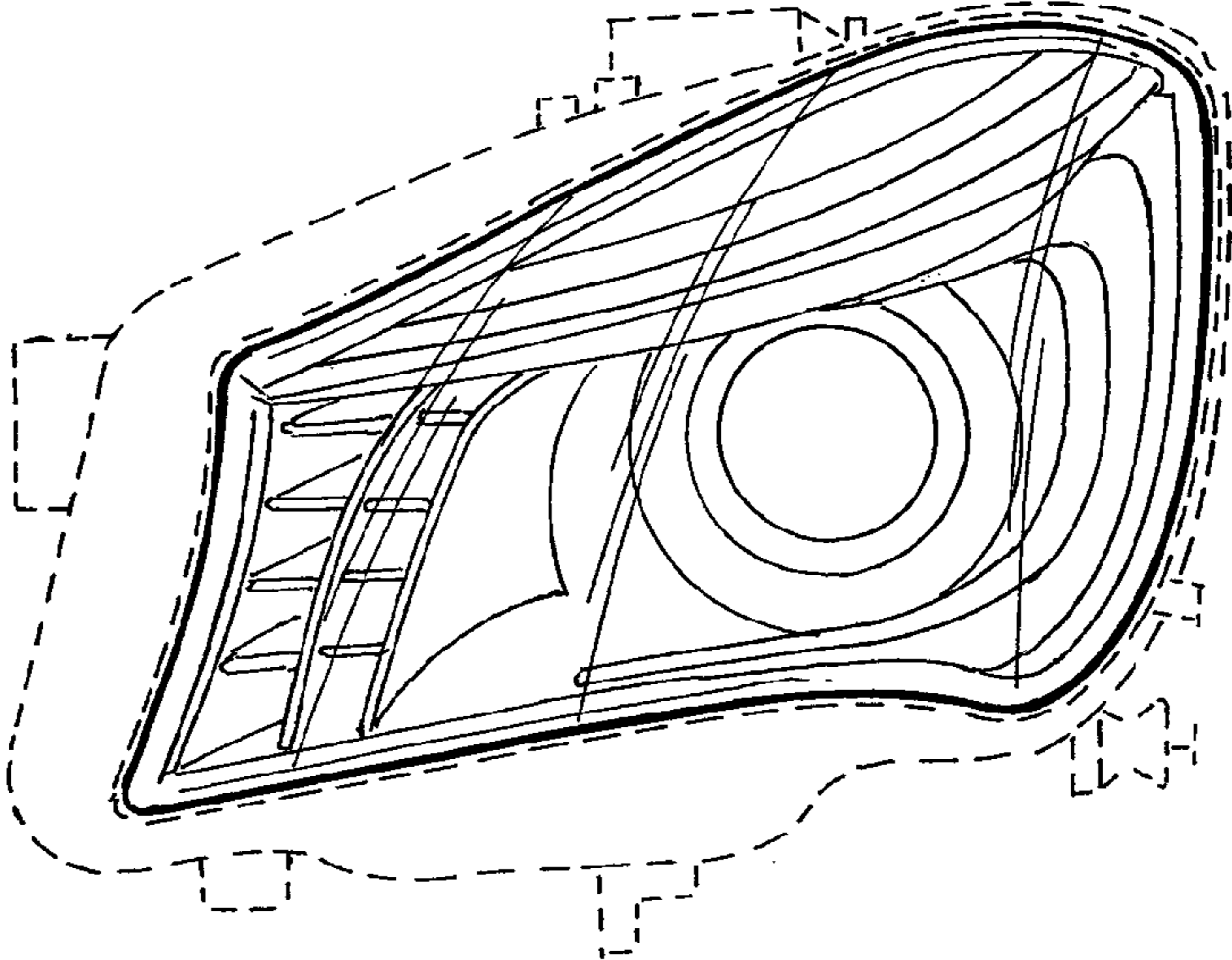


FIG. 2

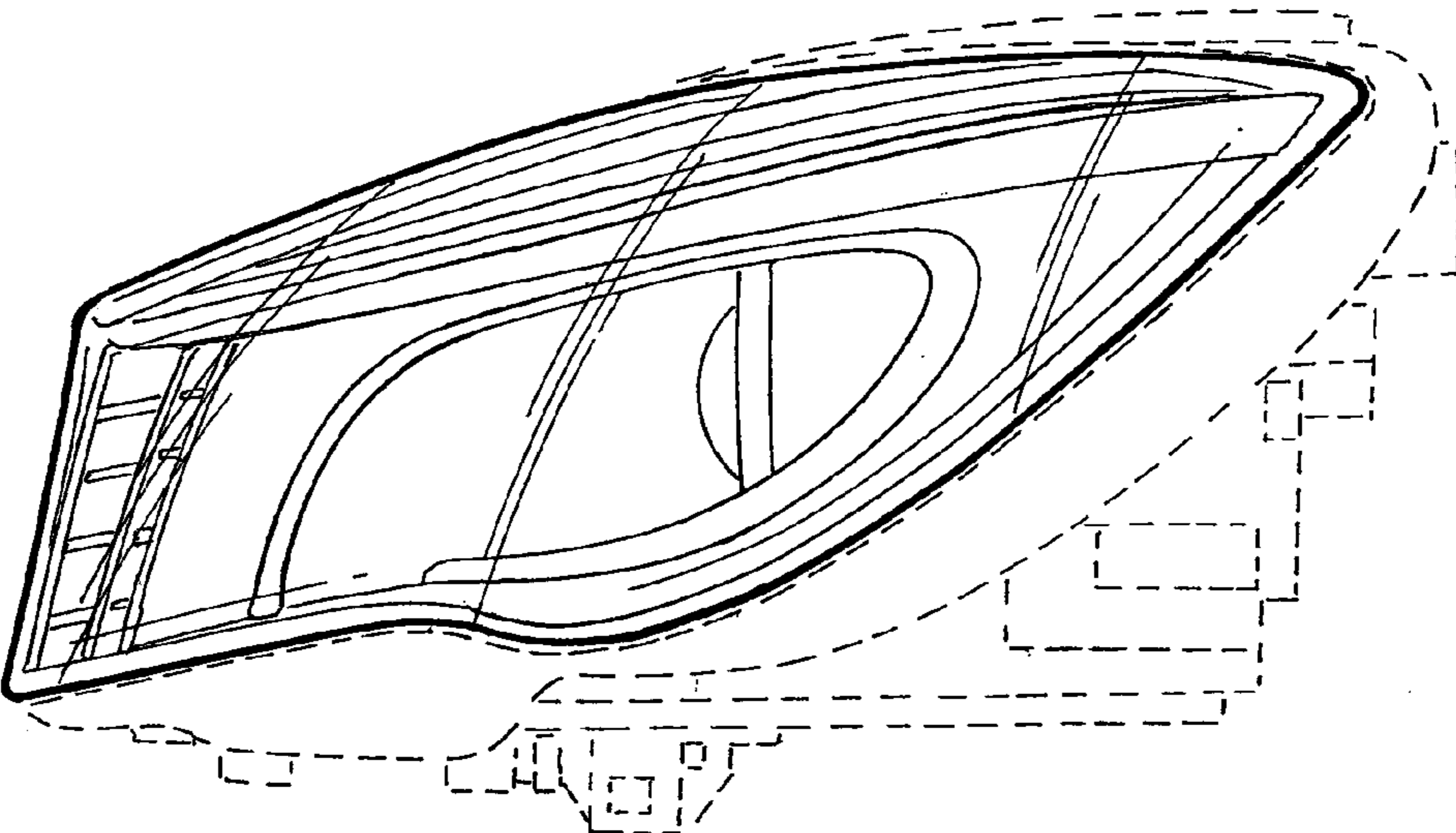


FIG. 3

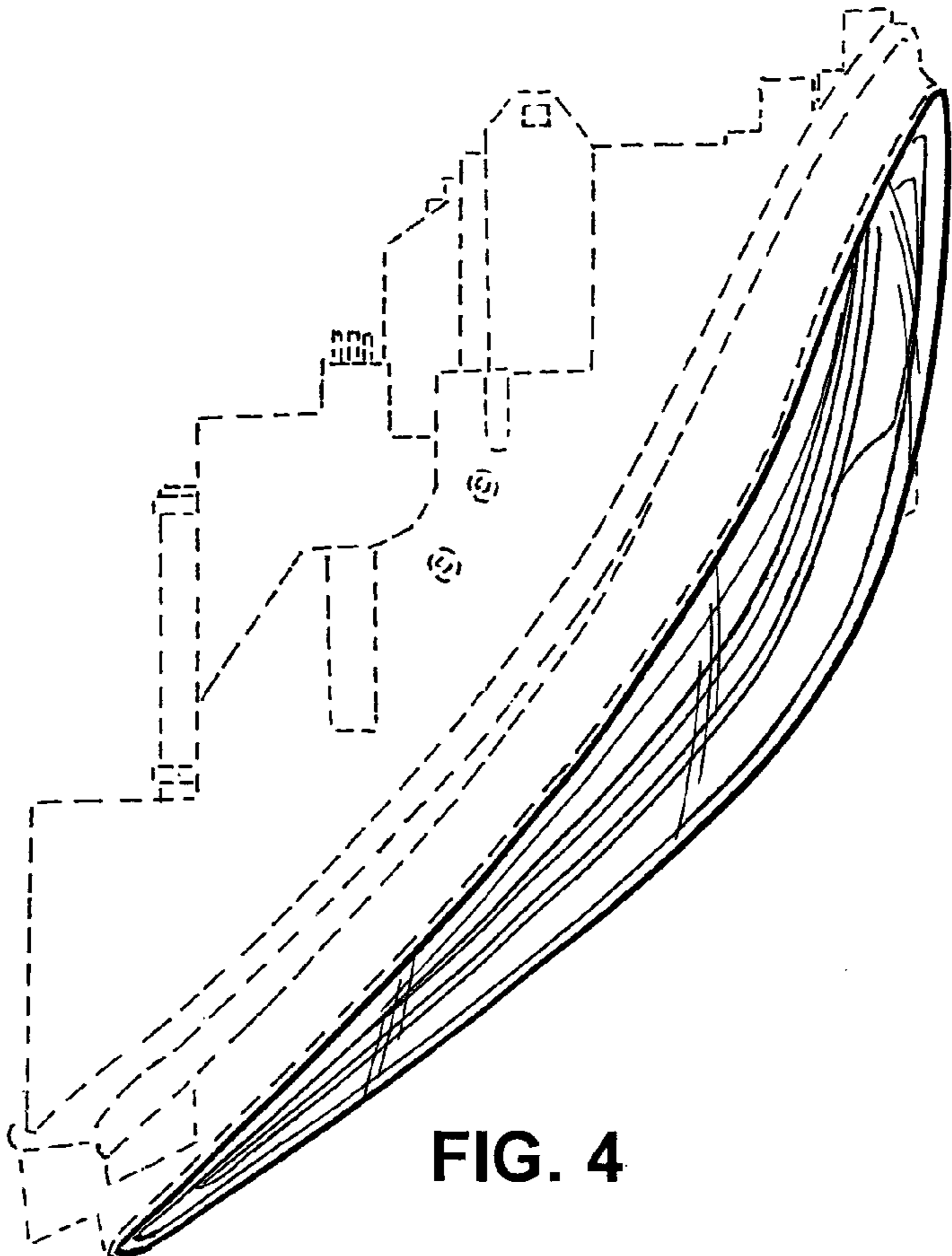


FIG. 4



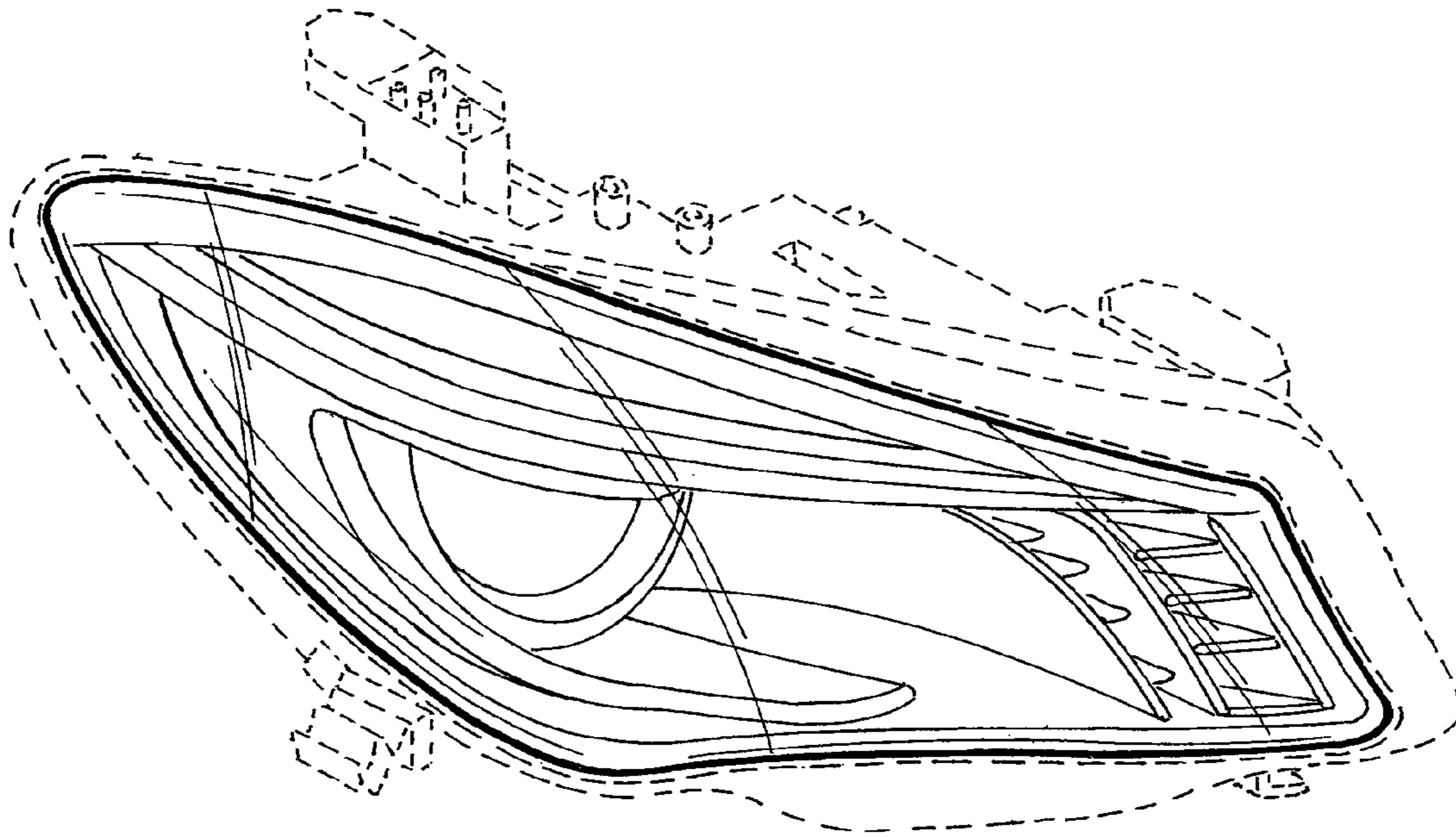


FIG. 5

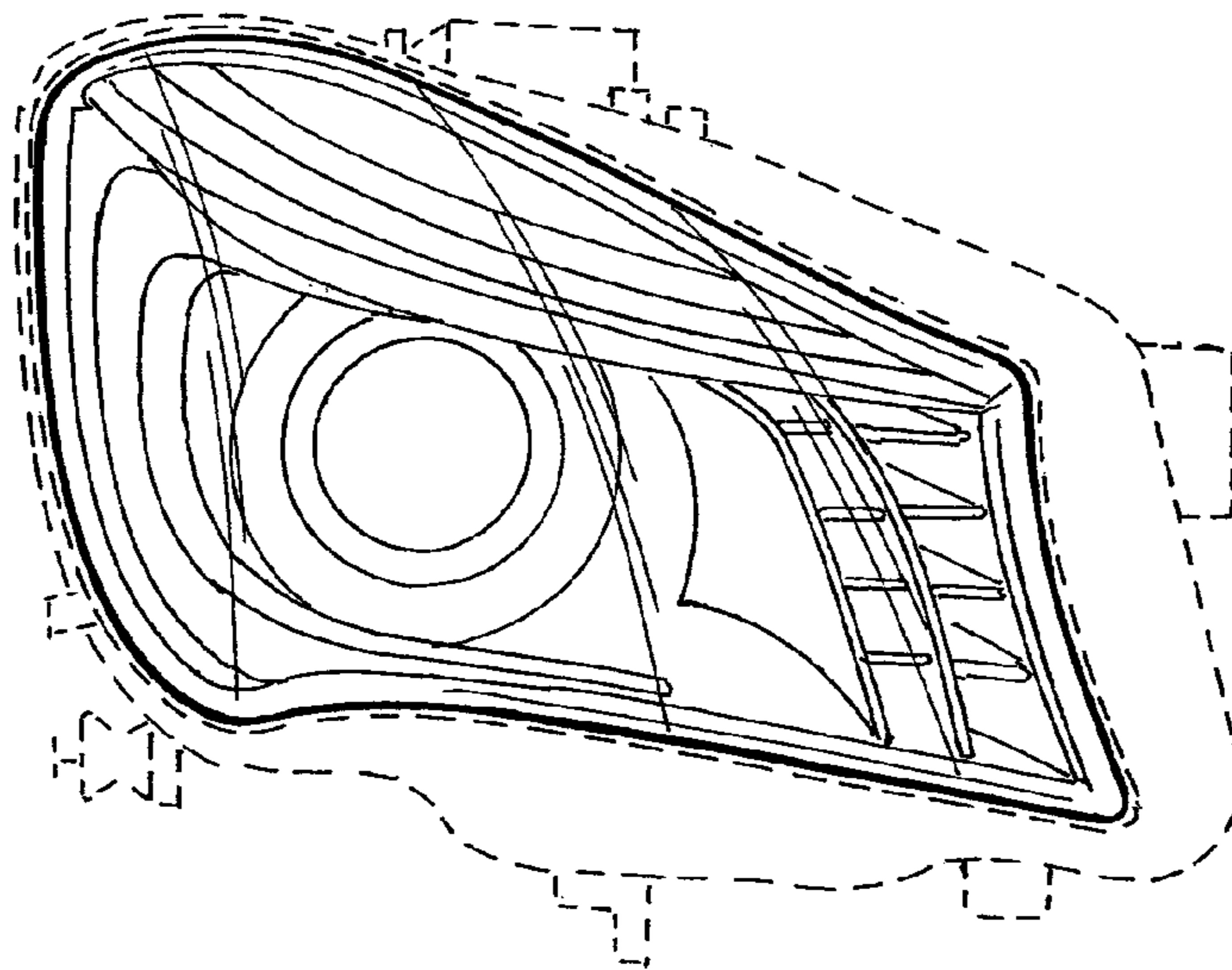


FIG. 6

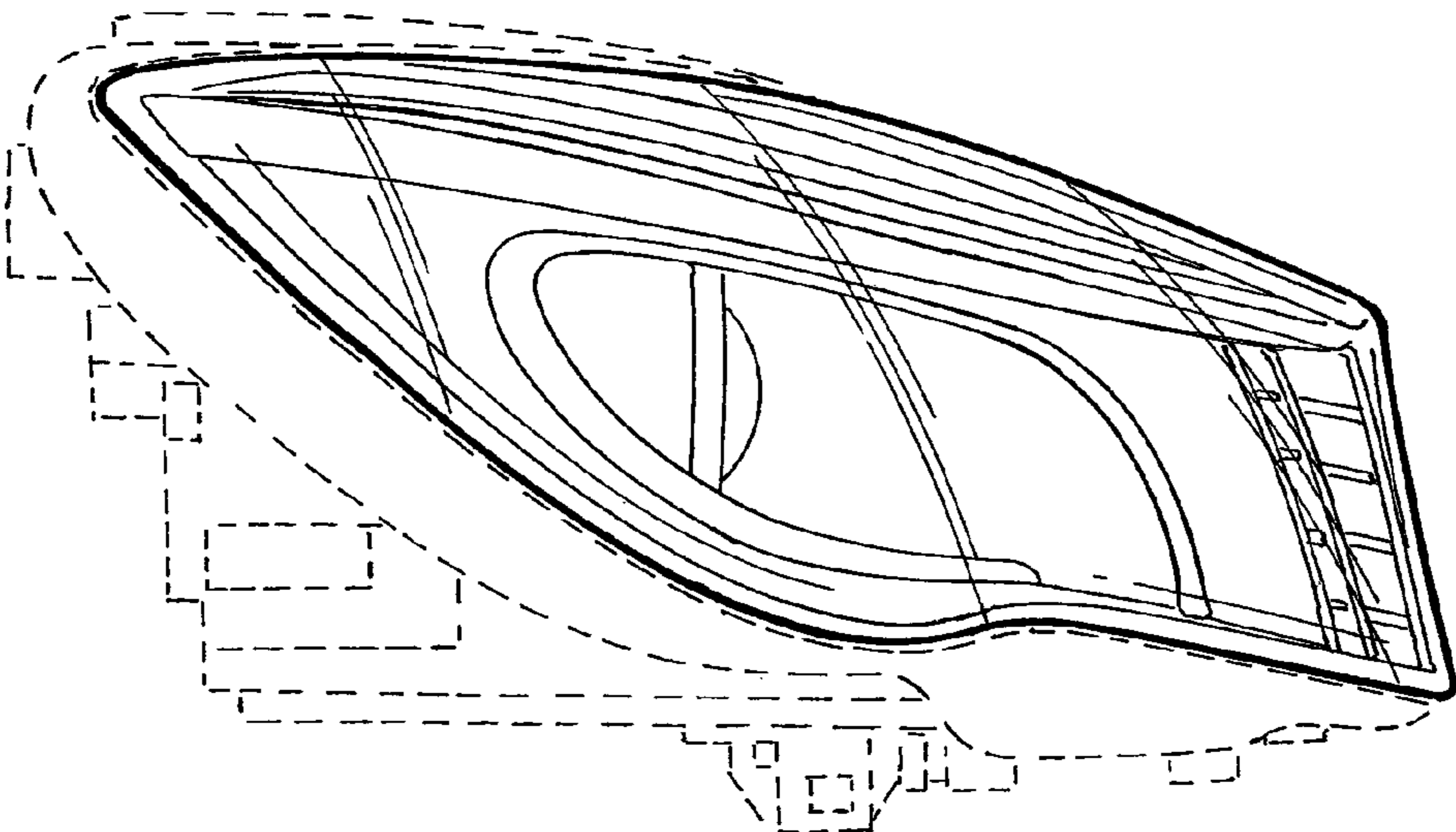


FIG. 7

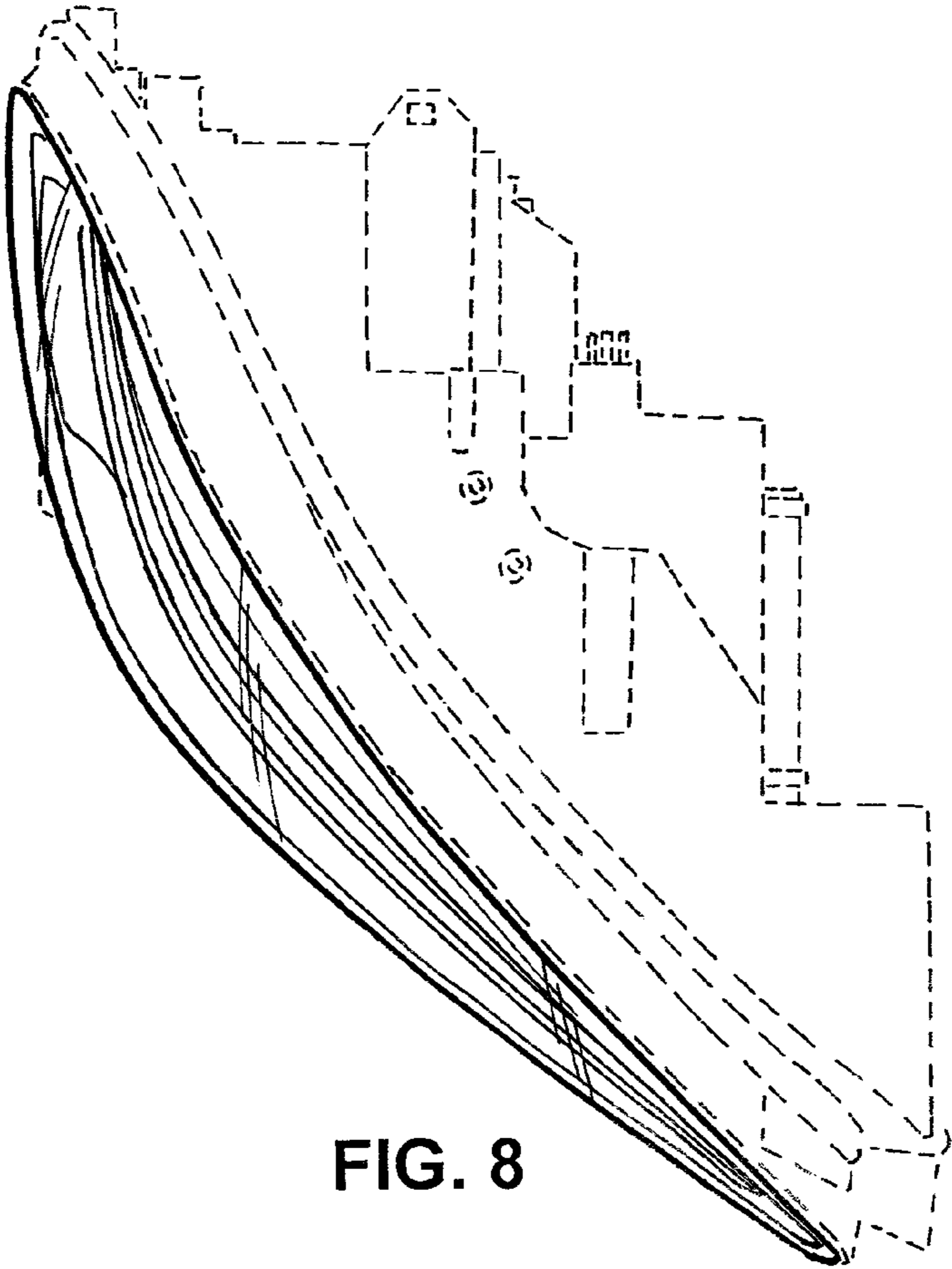


FIG. 8