



US00D707859S

(12) **United States Design Patent**
Yang et al.

(10) **Patent No.:** **US D707,859 S**
(45) **Date of Patent:** **** Jun. 24, 2014**

(54) **LED LAMP**

(71) Applicants: **Dangwei Yang**, Guangdong (CN);
Yanfeng Xu, Guangdong (CN)

(72) Inventors: **Dangwei Yang**, Guangdong (CN);
Yanfeng Xu, Guangdong (CN)

(73) Assignee: **CE Lighting Ltd.**, Shenzhen (CN)

(**) Term: **14 Years**

(21) Appl. No.: **29/432,928**

(22) Filed: **Sep. 22, 2012**

(30) **Foreign Application Priority Data**

Mar. 23, 2012 (CN) 2012 3 0073388

(51) **LOC (10) Cl.** **26-04**

(52) **U.S. Cl.**
USPC **D26/2**

(58) **Field of Classification Search**
USPC D26/1-4; 313/313, 315, 316, 317, 318,
313/493; 315/52, 53, 56, 57, 58

See application file for complete search history.

(56) **References Cited**

U.S. PATENT DOCUMENTS

D687,174 S * 7/2013 Hsu et al. D26/2
D688,398 S * 8/2013 Foo D26/2
D690,445 S * 9/2013 Su D26/2

* cited by examiner

Primary Examiner — Marcus Jackson

(74) *Attorney, Agent, or Firm* — Dovas Law P.C.

(57) **CLAIM**

The ornamental design for an LED lamp, as shown and described.

DESCRIPTION

FIG. 1 is a front elevational view of an LED lamp showing our new design;

FIG. 2 is a left side elevational view of the LED lamp of FIG. 1;

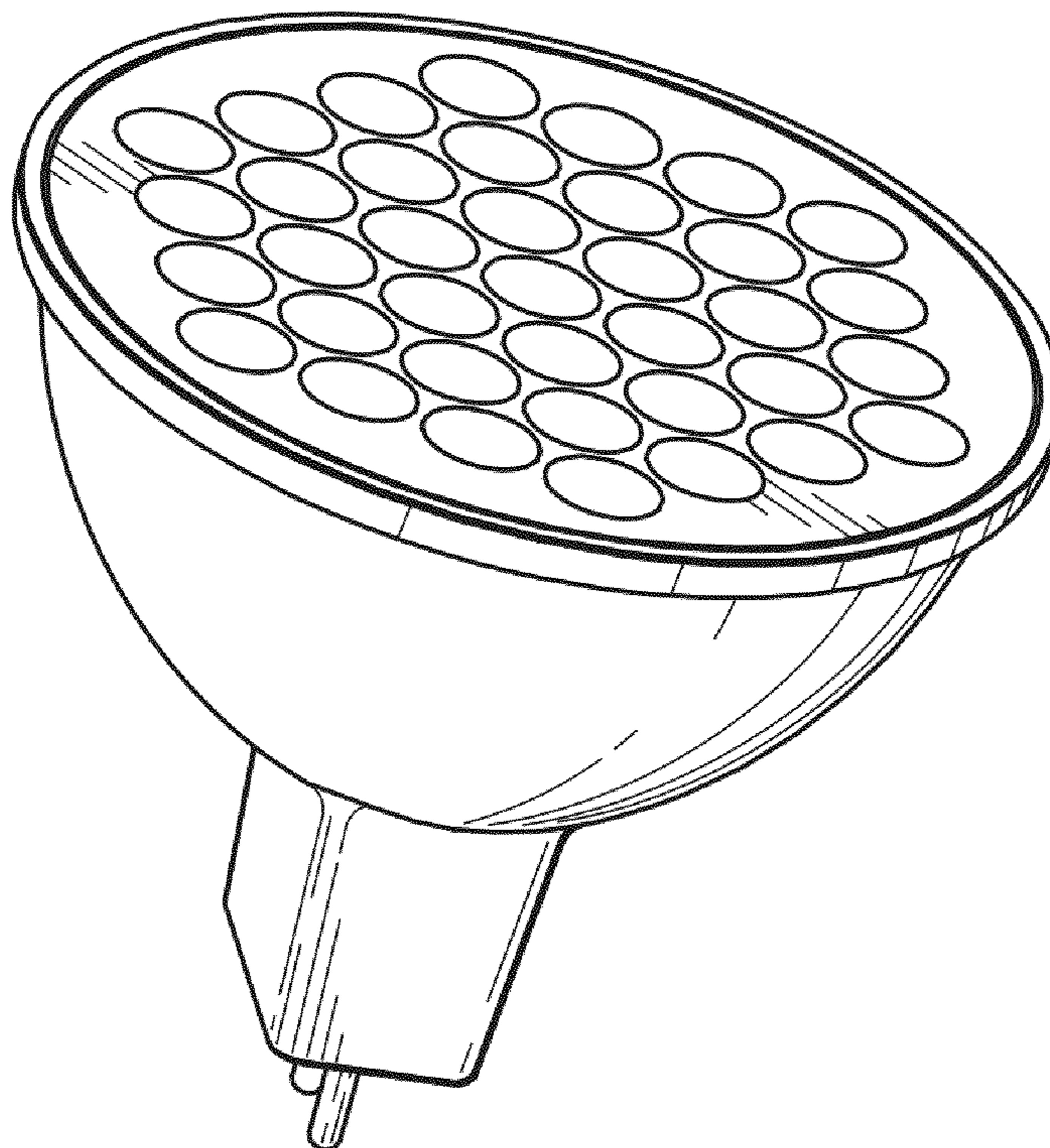
FIG. 3 is a top plan view of the LED lamp of FIG. 1;

FIG. 4 is a bottom plan view of the LED lamp of FIG. 1; and,

FIG. 5 is a perspective view of the LED lamp of FIG. 1.

The rear elevational view is the mirror of the front elevational view, the right side elevational view is the mirror of the left side elevational view, and accordingly, additional figures for the rear elevational view and the right side elevational view are not included.

1 Claim, 5 Drawing Sheets



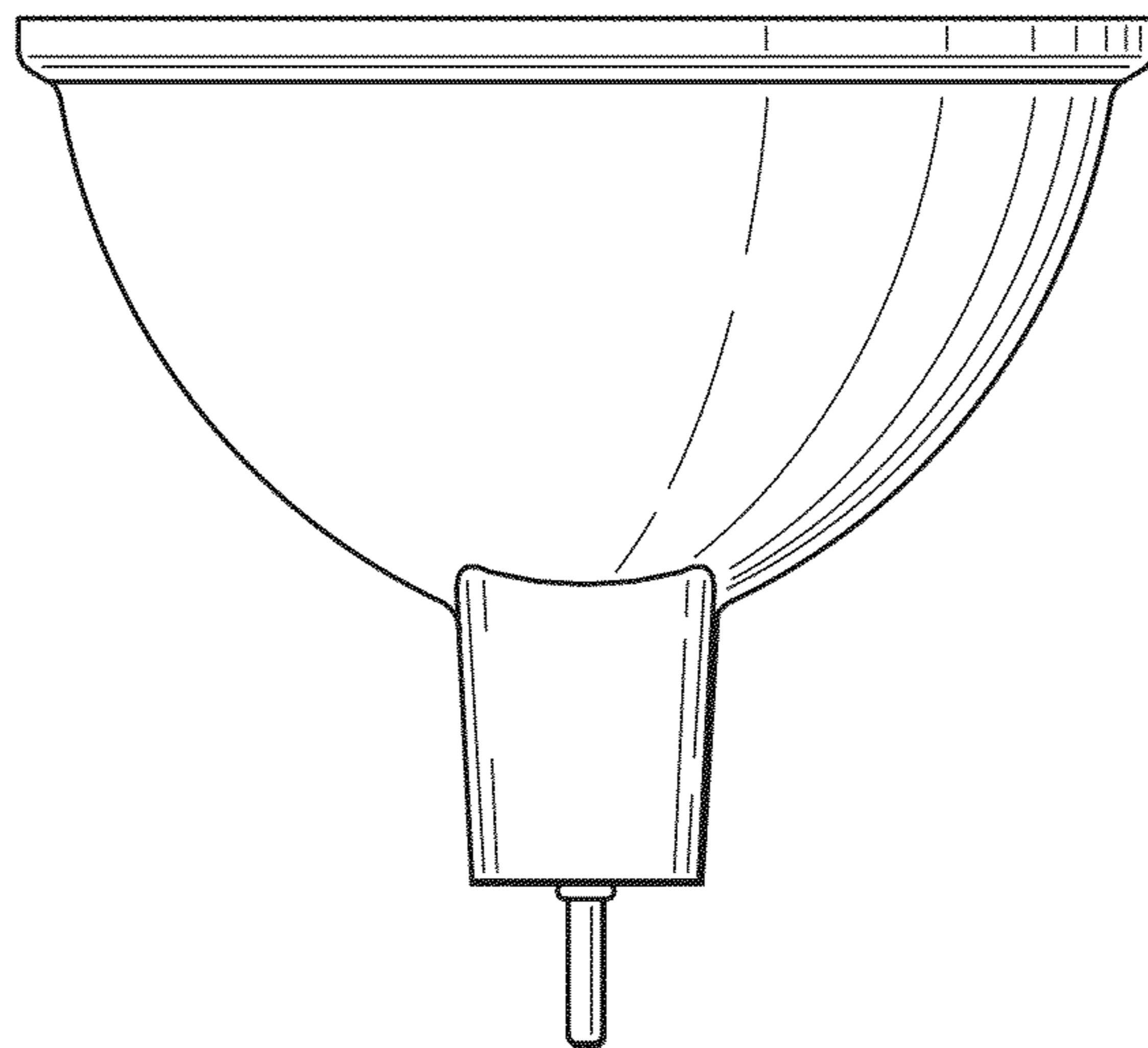


FIG. 1

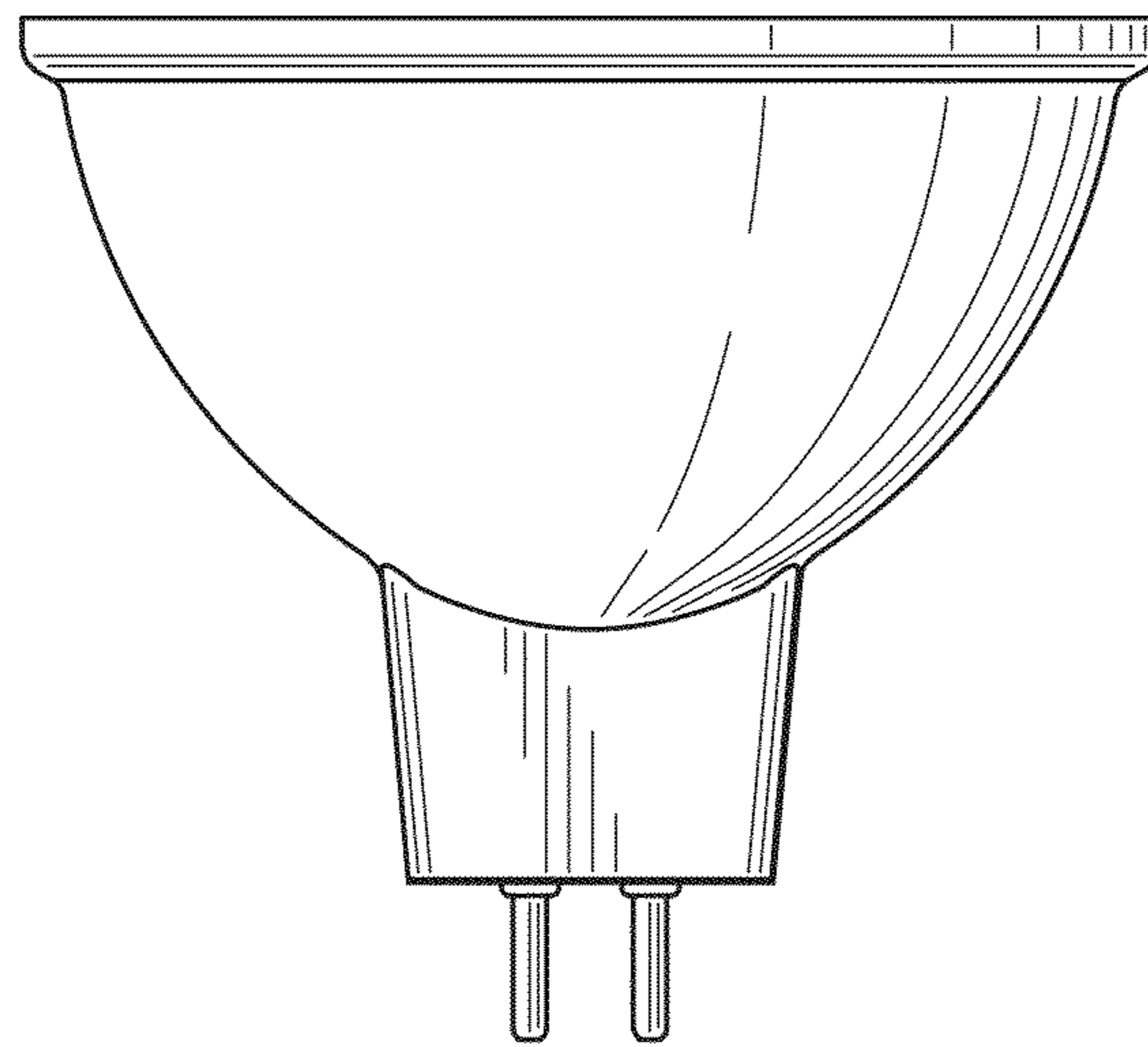


FIG. 2

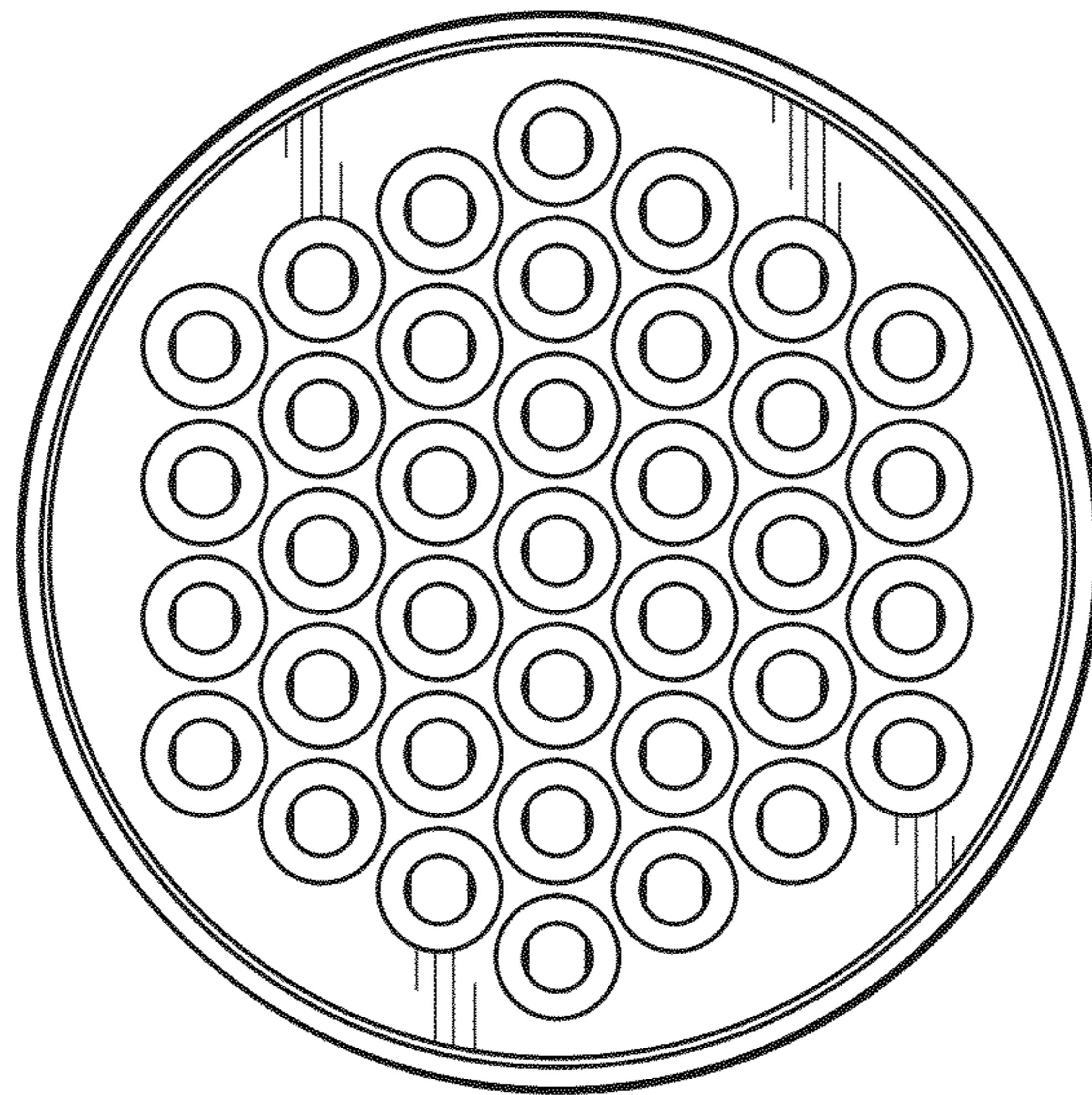


FIG. 3

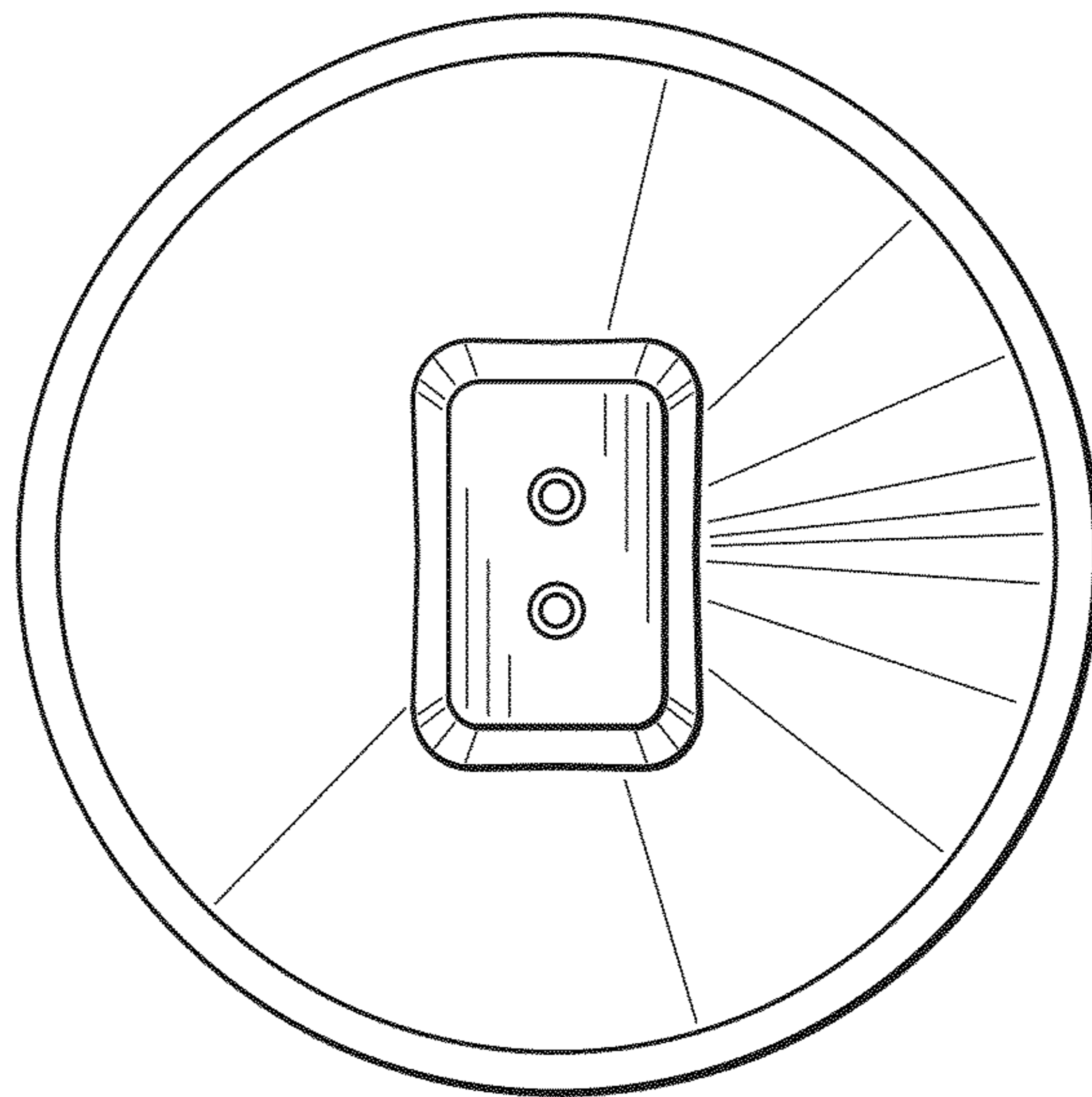


FIG. 4

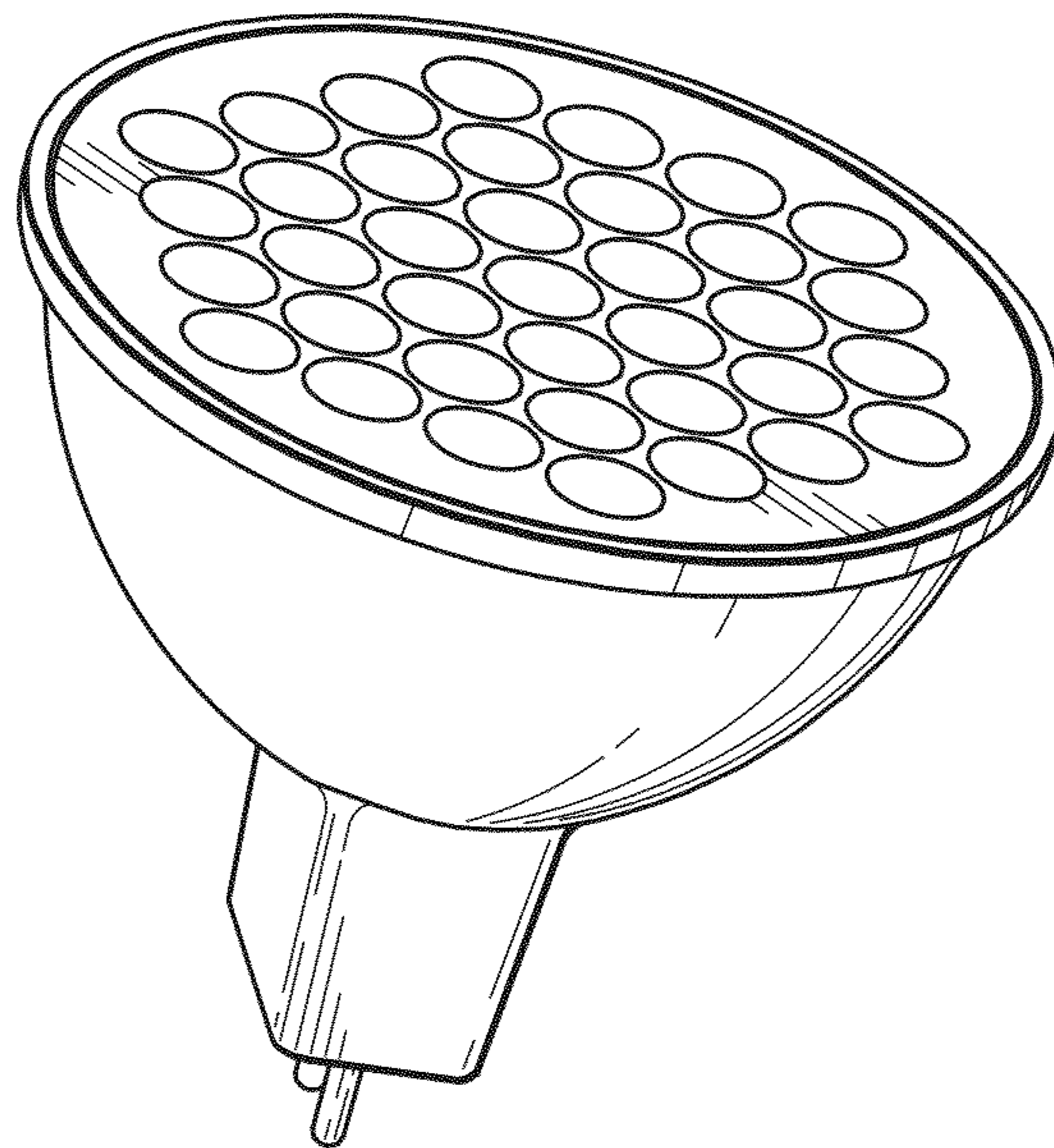


FIG. 5