



US00D707858S

(12) **United States Design Patent**  
**Choi**

(10) **Patent No.:** **US D707,858 S**  
(45) **Date of Patent:** **\*\* Jun. 24, 2014**

- (54) **TILE**
- (71) Applicant: **Paldo Co., Ltd.**, Seoul (KR)
- (72) Inventor: **Jae Moon Choi**, Seoul (KR)
- (73) Assignee: **Paldo Co., Ltd.** (KR)
- (\*\*) Term: **14 Years**
- (21) Appl. No.: **29/440,687**
- (22) Filed: **Dec. 26, 2012**
- (51) **LOC (10) Cl.** ..... **25-01**
- (52) **U.S. Cl.**  
USPC ..... **D25/157**
- (58) **Field of Classification Search**  
USPC ..... D25/153, 156, 157; 52/171, 188, 177,  
52/179, 180, 342, 343, 507, 664, 384, 389,  
52/385; 428/44, 43, 49, 52  
See application file for complete search history.

- 5,080,944 A \* 1/1992 Kauffman et al. .... 428/47
- D498,856 S \* 11/2004 Froech ..... D25/157
- D643,944 S \* 8/2011 Henderson ..... D25/157
- D656,250 S \* 3/2012 Forster et al. .... D25/153

\* cited by examiner

*Primary Examiner* — Doris Clark

(74) *Attorney, Agent, or Firm* — Cantor Colburn LLP

(57) **CLAIM**

The ornamental design for a tile, as shown and described.

**DESCRIPTION**

FIG. 1 is a front perspective of a tile showing my new design;  
 FIG. 2 is an enlarged fragmented front perspective view  
 shown in FIG. 1;  
 FIG. 3 is a front view thereof;  
 FIG. 4 is a rear view thereof;  
 FIG. 5 is a left side view thereof;  
 FIG. 6 is a right side view thereof;  
 FIG. 7 is a top plan view thereof;  
 FIG. 8 is an enlarged fragmented top plan view shown in FIG.  
 7; and,  
 FIG. 9 is a bottom plan view thereof.  
 The broken lines shown in the drawing indicate areas that  
 have been enlarged to show detail of the pattern.

**1 Claim, 6 Drawing Sheets**

(56) **References Cited**  
 U.S. PATENT DOCUMENTS

- 579,348 A \* 3/1897 McPherson ..... 52/385
- 2,243,723 A \* 5/1941 Tench ..... 105/457
- 4,584,221 A \* 4/1986 Kung ..... 428/44

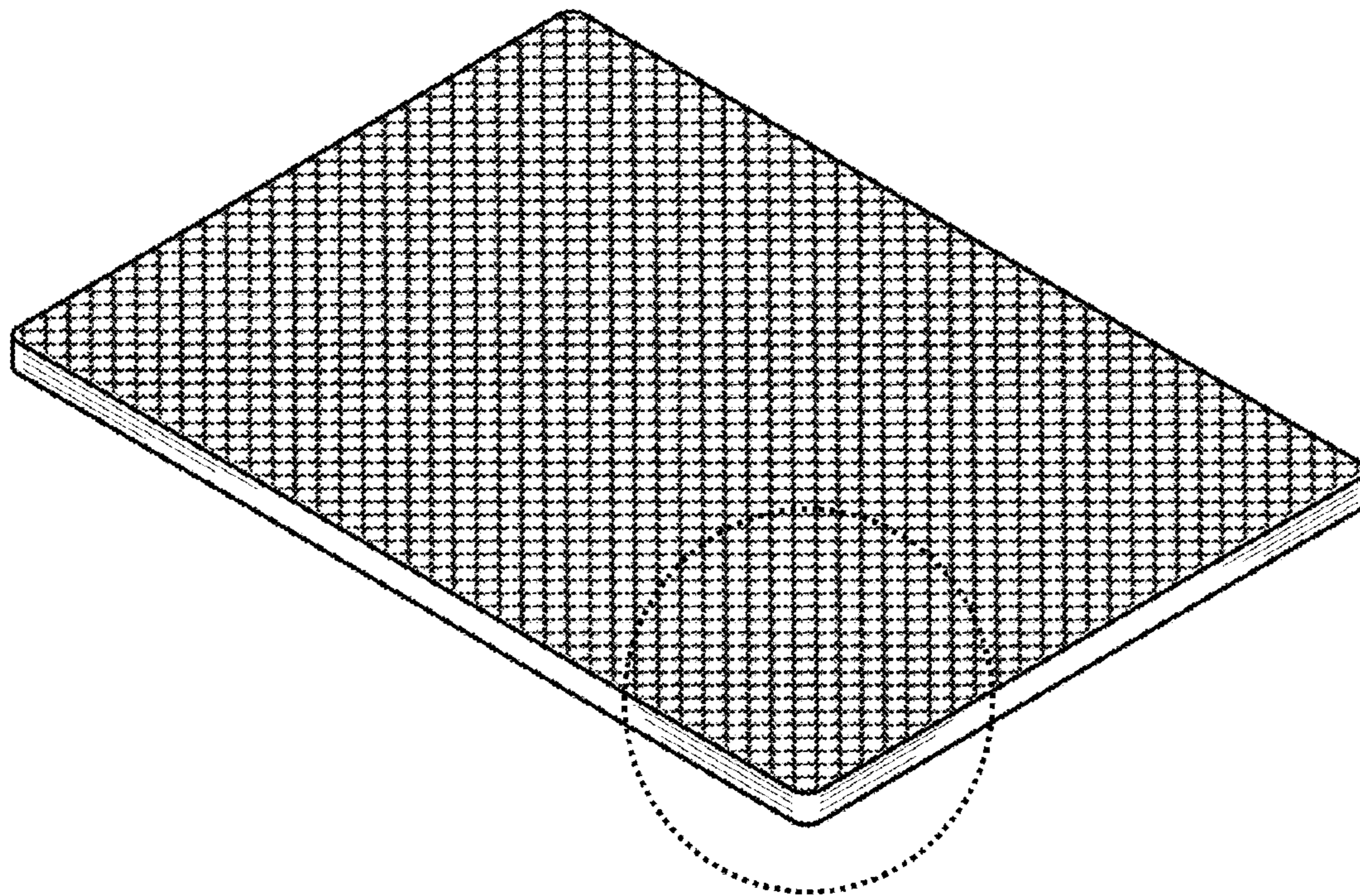


FIG. 1

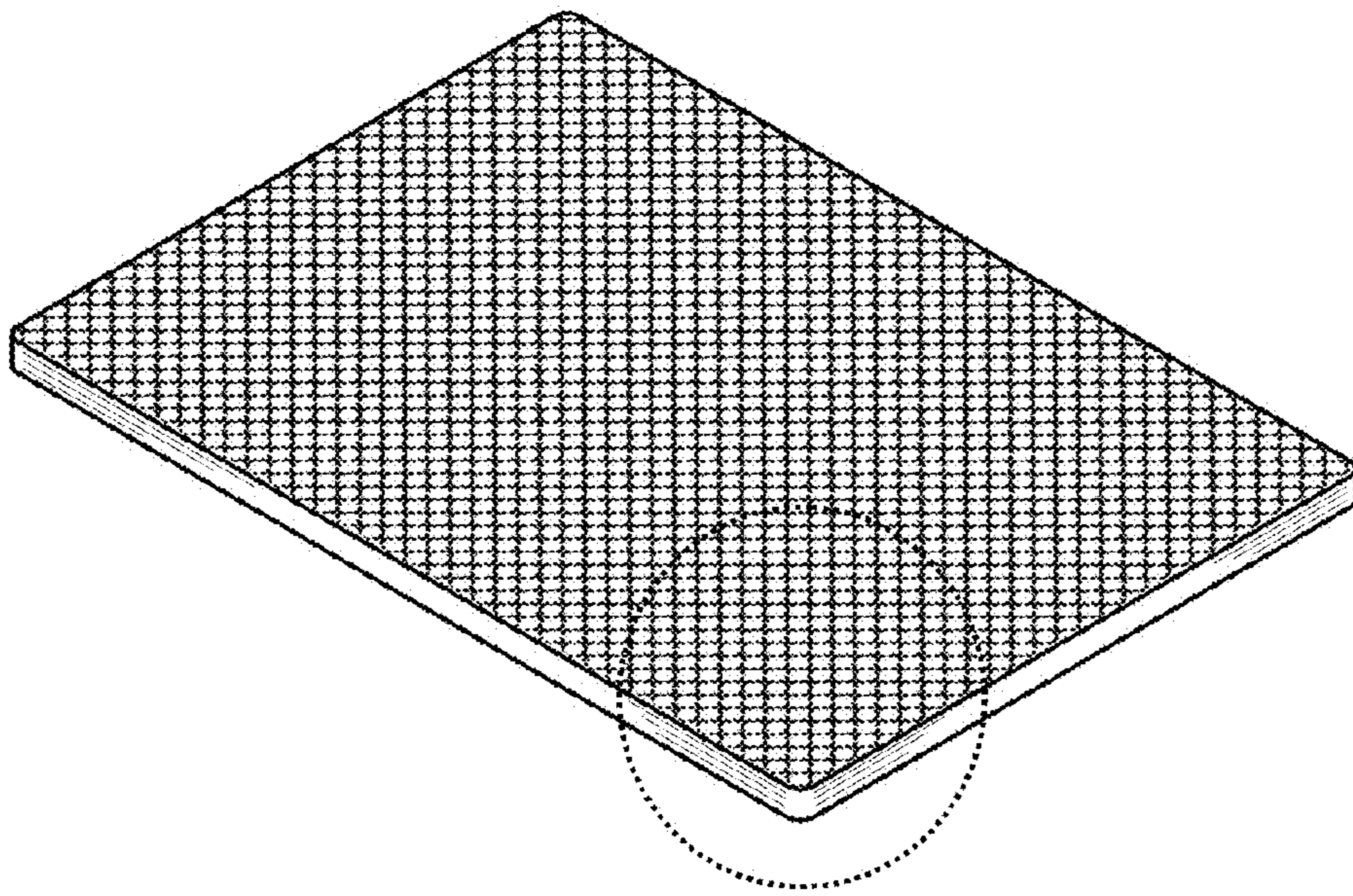


FIG. 2

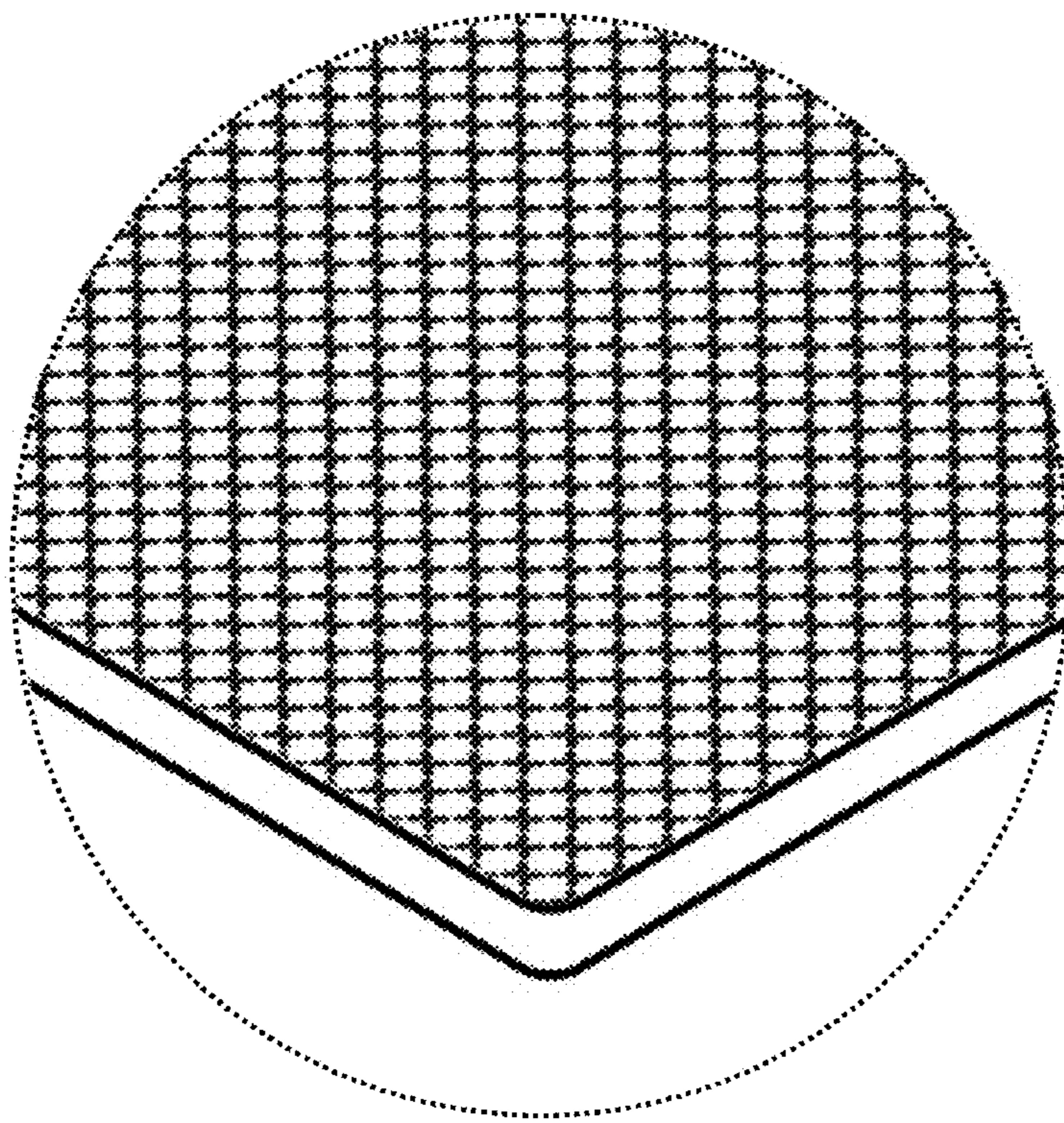


FIG. 3



FIG. 4



FIG. 5



FIG. 6



FIG. 7

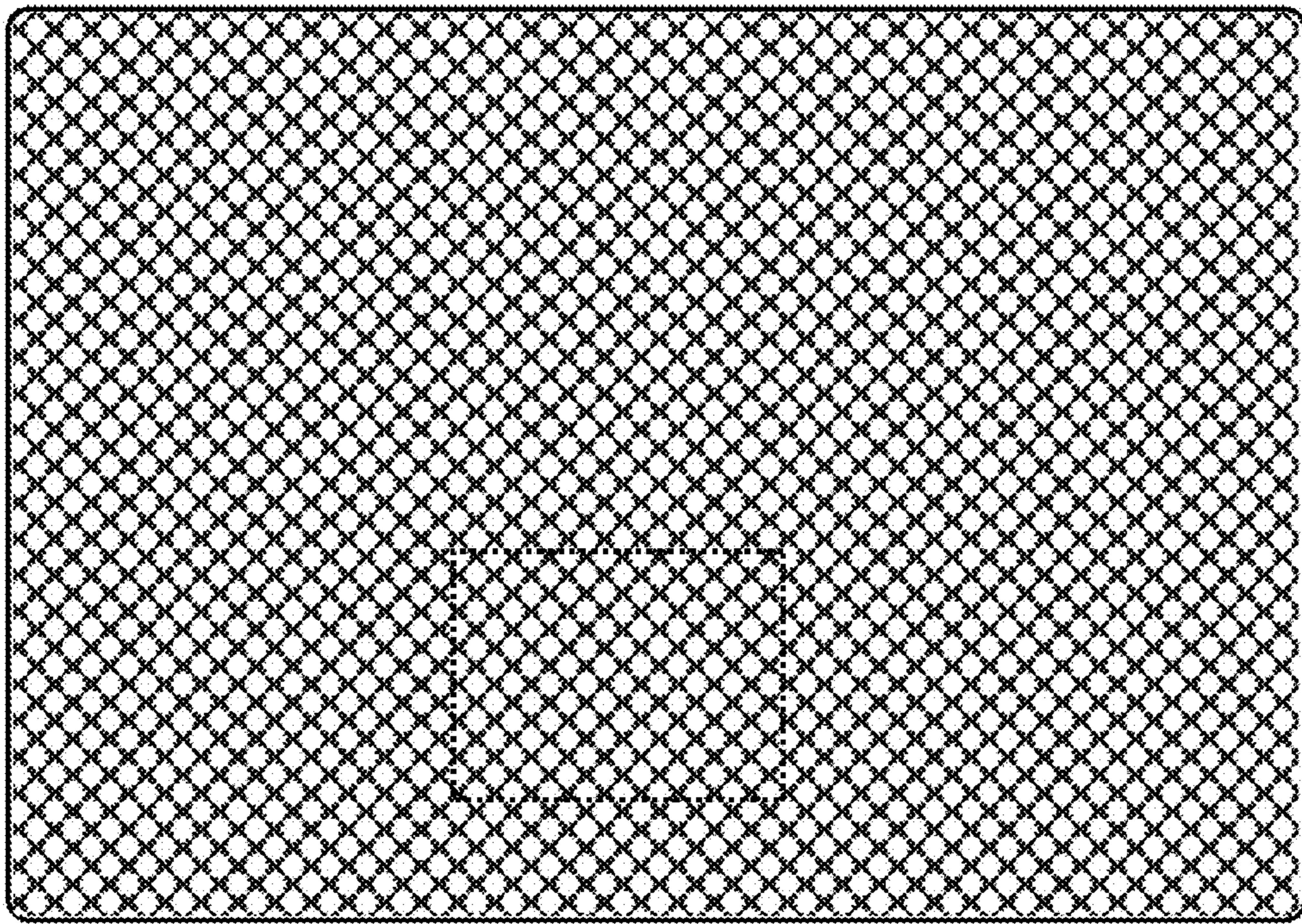


FIG. 8

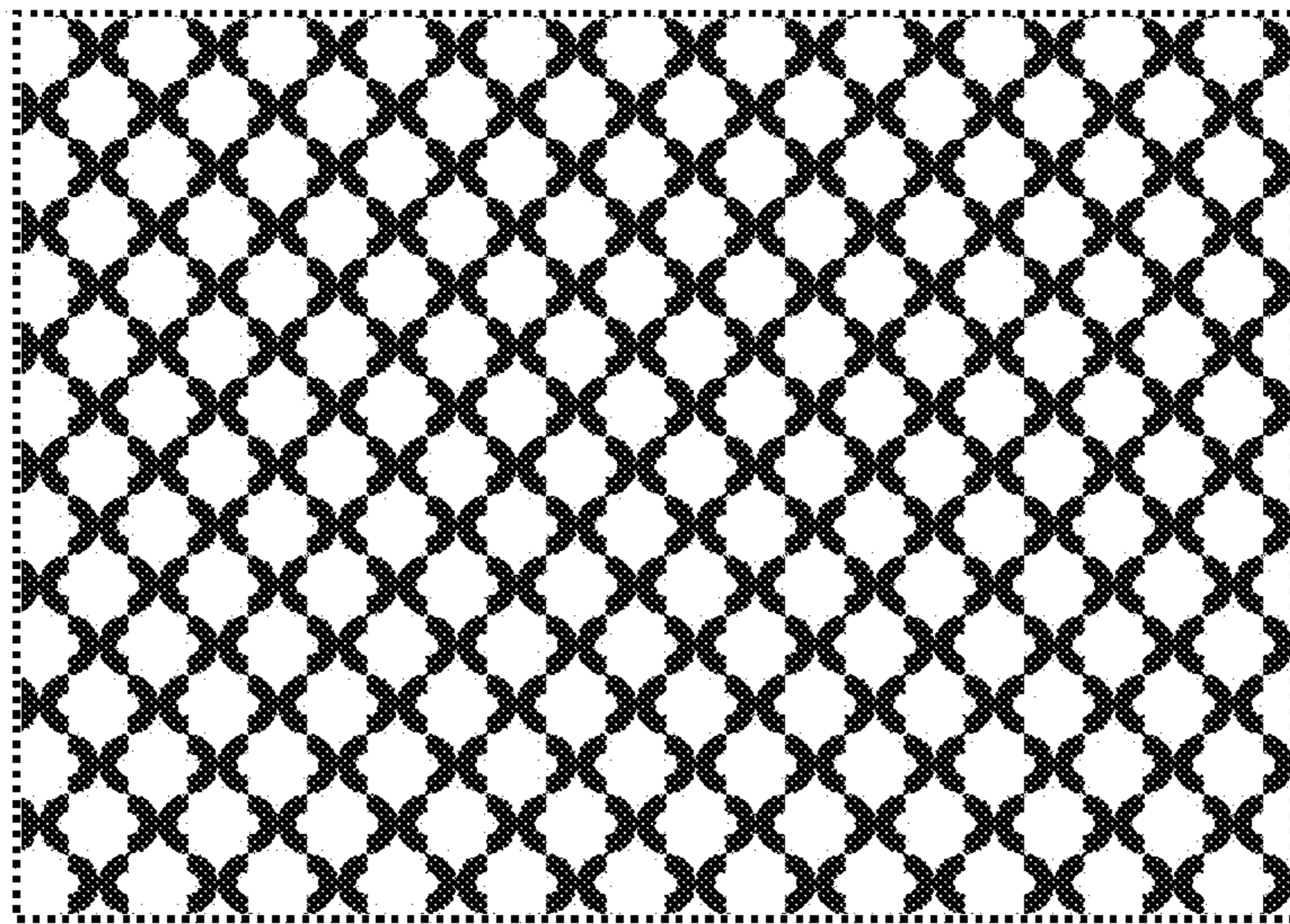


FIG. 9

