



US00D707857S

(12) **United States Design Patent**
De Cristo et al.

(10) **Patent No.:** **US D707,857 S**
(45) **Date of Patent:** **** Jun. 24, 2014**

(54) **COVER FOR REINFORCING BAR**
(71) Applicants: **Don De Cristo**, San Diego, CA (US);
Brent Bennett, Gold Canyon, AZ (US)
(72) Inventors: **Don De Cristo**, San Diego, CA (US);
Brent Bennett, Gold Canyon, AZ (US)

D416,631 S * 11/1999 Schimmelpfennig
et al. D25/135
6,612,082 B2 * 9/2003 Schimmelpfennig et al. .. 52/300
* cited by examiner

(**) Term: **14 Years**

Primary Examiner — Doris Clark
(74) *Attorney, Agent, or Firm* — ARC IP Law, PC; Joseph J. Mayo

(21) Appl. No.: **29/433,464**

(57) **CLAIM**
The ornamental design for a cover for reinforcing bar, as shown and described.

(22) Filed: **Sep. 30, 2012**

DESCRIPTION

(51) **LOC (10) Cl.** **25-01**

FIG. 1 is an upper perspective view of a cover for reinforcing bar.

(52) **U.S. Cl.**

FIG. 2 is a lower perspective view of the cover for reinforcing bar of FIG. 1.

USPC **D25/135**

(58) **Field of Classification Search**

FIG. 3 is a top view of the cover for reinforcing bar of FIG. 1.

USPC D25/135; 52/300, 301, 170, 649.1, 682,
52/719, 831, DIG. 7

FIG. 4 is a bottom view of the cover for reinforcing bar of FIG. 1.

See application file for complete search history.

FIG. 5 is a front of the cover for reinforcing bar of FIG. 1, with a rear view being a mirror image thereof; and,

(56) **References Cited**

FIG. 6 is a 30-degree rotated front view of the cover for reinforcing bar of FIG. 1, with a rear view at this rotation being a mirror image thereof.

U.S. PATENT DOCUMENTS

5,613,336 A 3/1997 Workman
5,884,443 A * 3/1999 Schimmelpfennig et al. .. 52/301

1 Claim, 6 Drawing Sheets

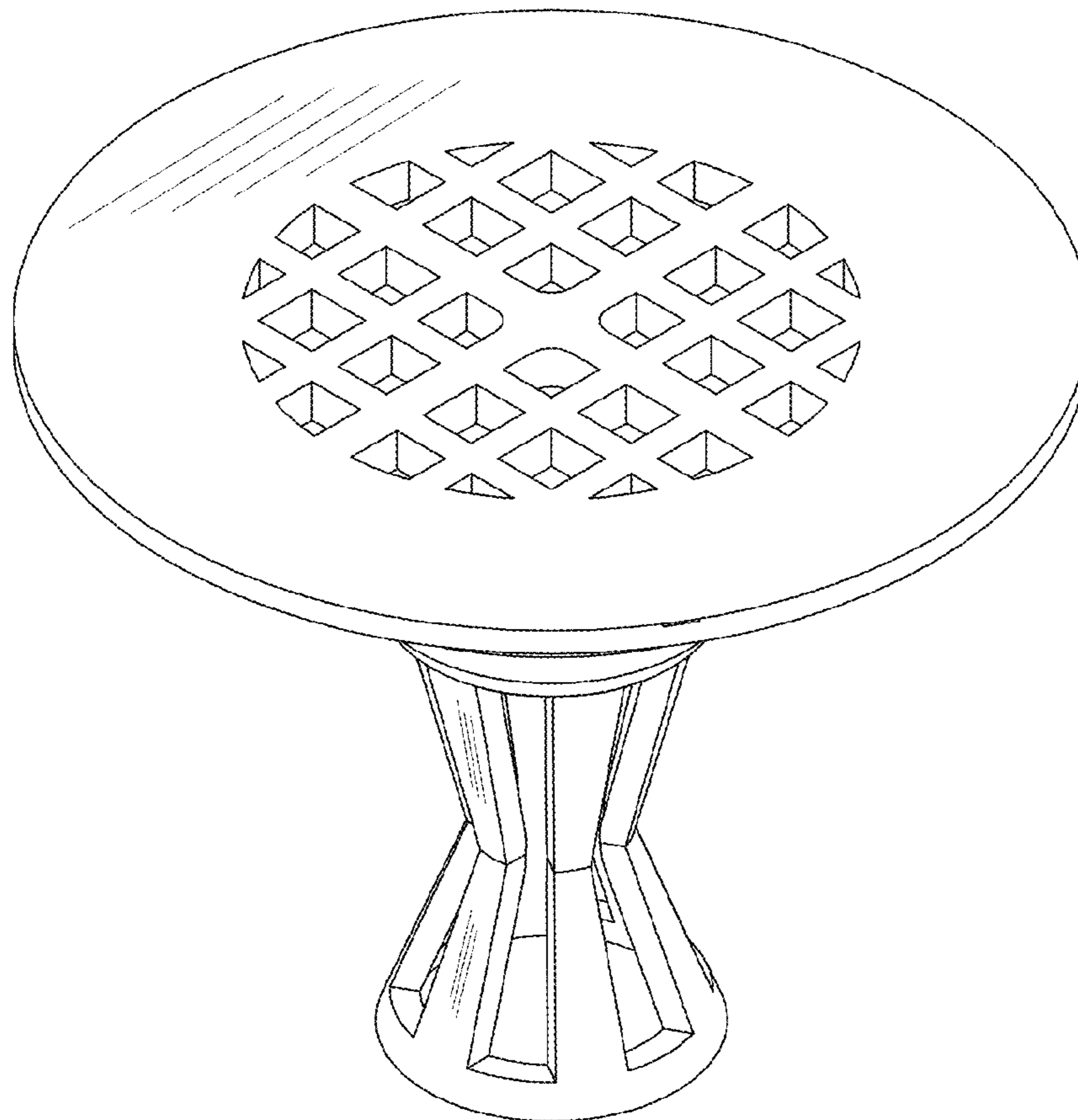


FIGURE 1

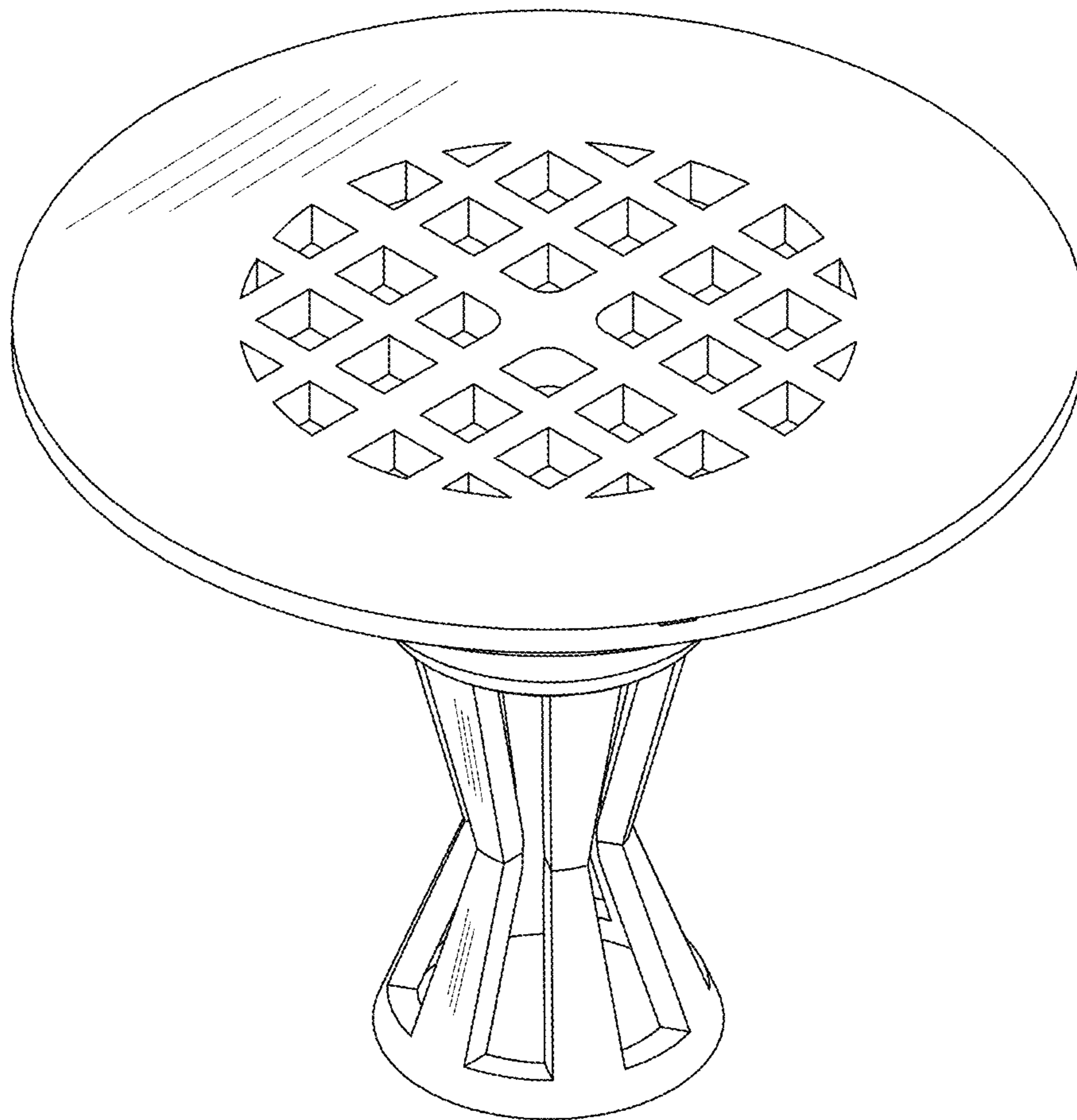


FIGURE 2

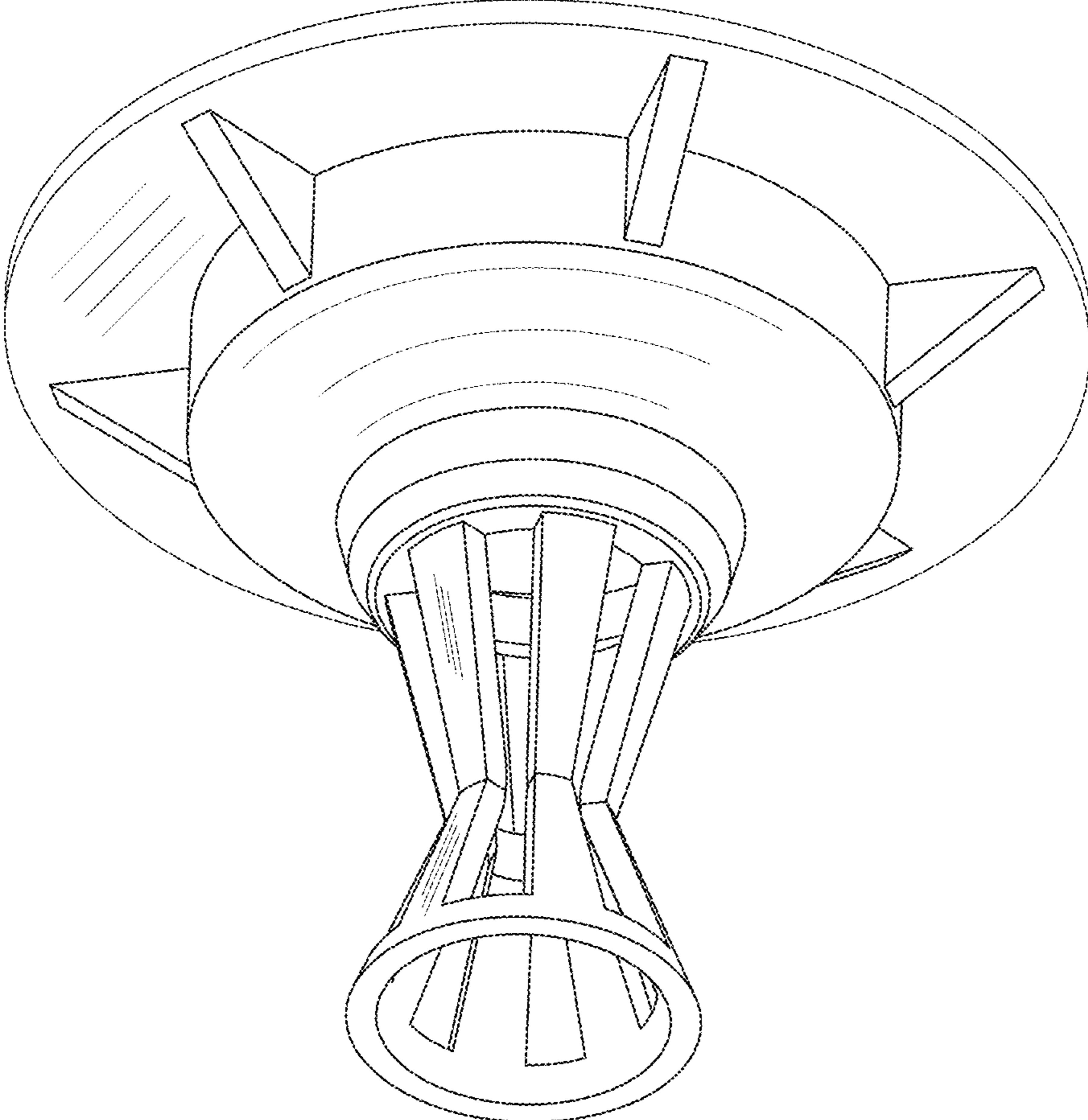


FIGURE 3

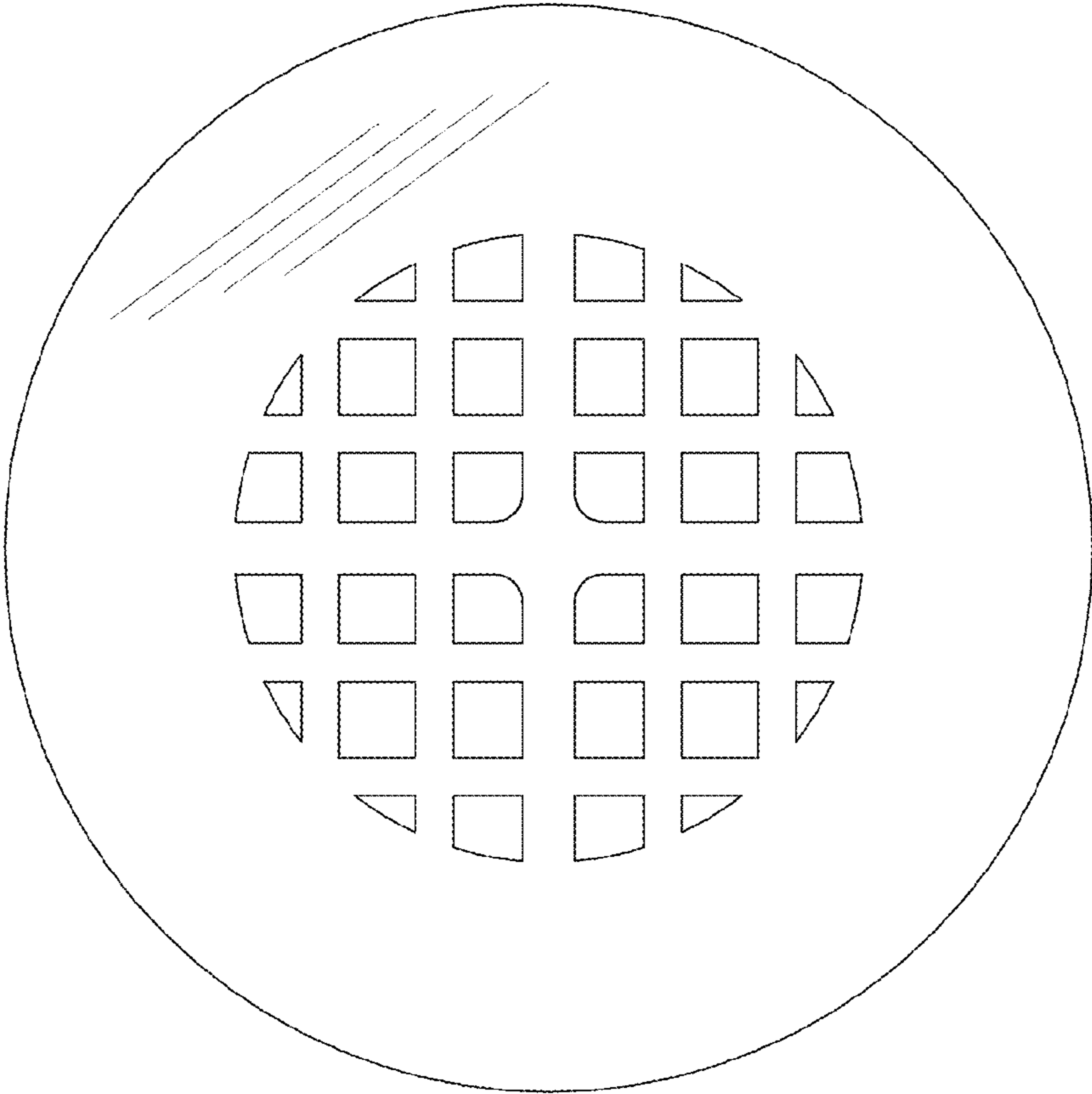


FIGURE 4

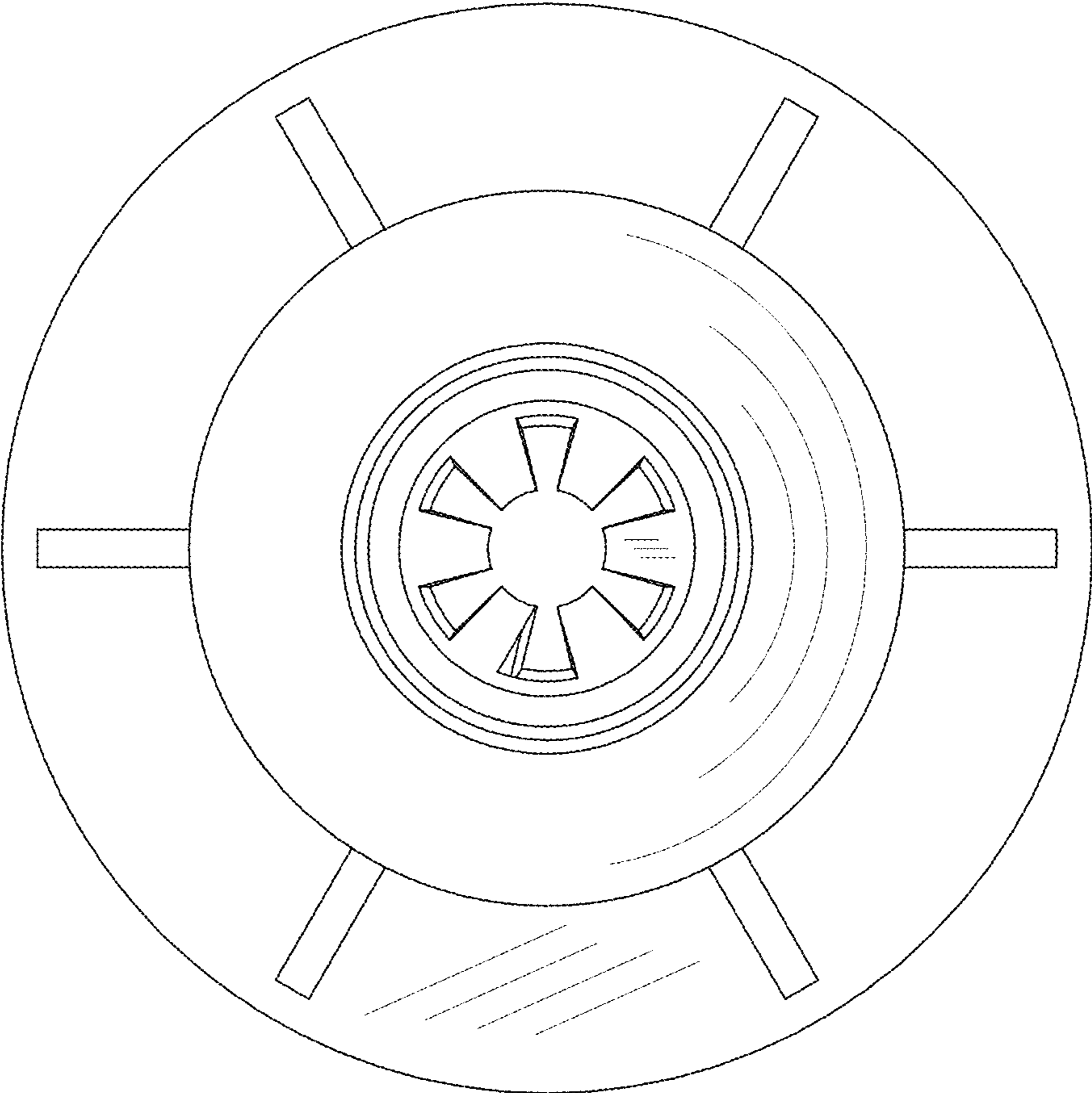


FIGURE 5

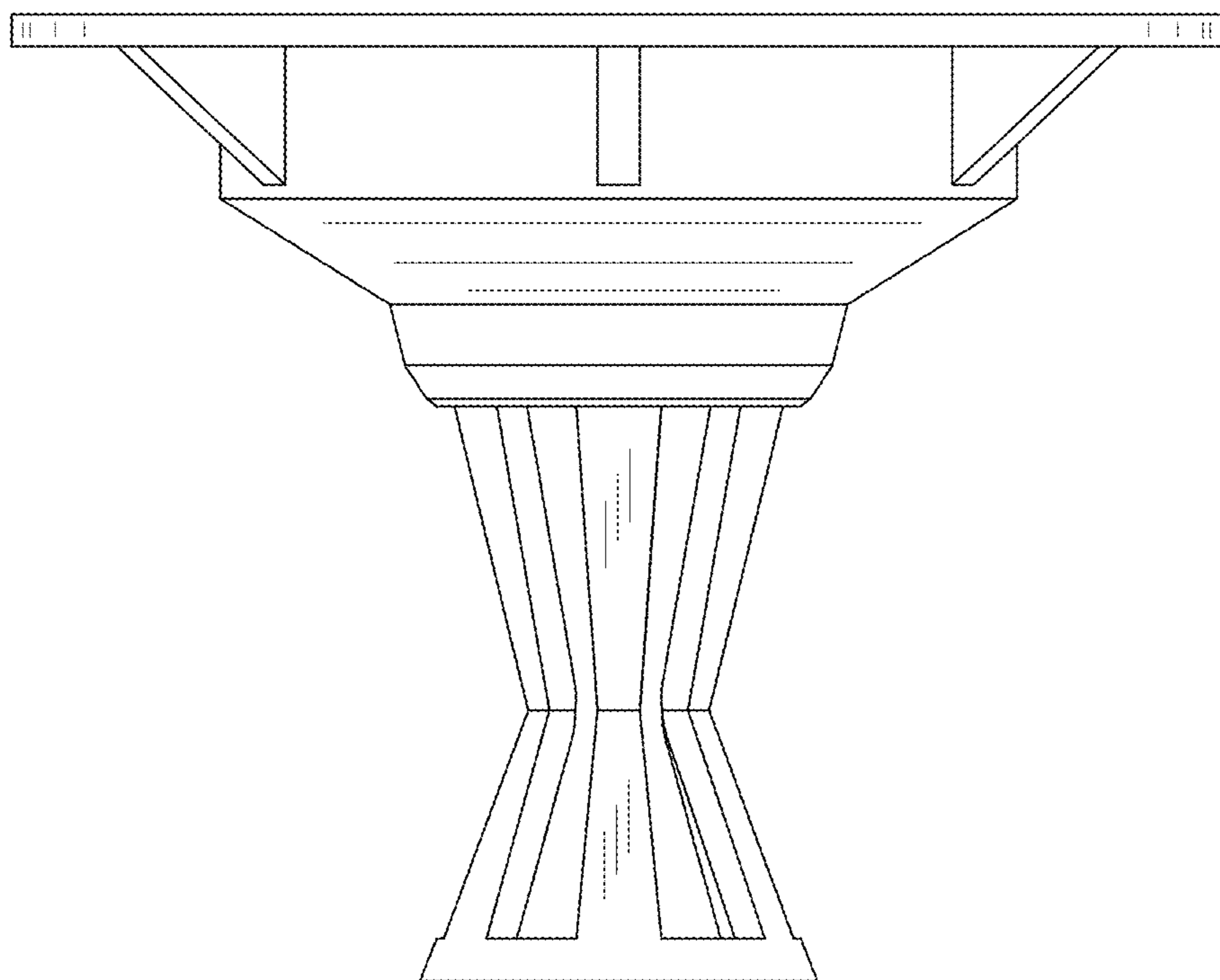


FIGURE 6

