



US00D707853S

(12) **United States Design Patent**  
**Lafontaine**

(10) **Patent No.:** **US D707,853 S**  
(45) **Date of Patent:** **\*\* Jun. 24, 2014**

(54) **A-FRAME POOL LADDER**

(71) Applicant: **Champlain Plastics, Inc.**, Rouses Point, NY (US)

(72) Inventor: **Robert Lafontaine**, Boucherville (CA)

(73) Assignee: **Champlain Plastics Inc.**, Rouses Point, NY (US)

(\*\*) Term: **14 Years**

(21) Appl. No.: **29/440,659**

(22) Filed: **Dec. 25, 2012**

(51) **LOC (10) Cl.** ..... **25-04**

(52) **U.S. Cl.**  
USPC ..... **D25/64**

(58) **Field of Classification Search**  
CPC ..... E04H 4/144  
USPC ..... D25/64, 65; 182/180.1, 194, 129, 115;  
4/496, 504

See application file for complete search history.

(56) **References Cited**

**U.S. PATENT DOCUMENTS**

5,333,323 A \* 8/1994 Aymes ..... 4/496  
D525,369 S \* 7/2006 Houze ..... D25/64

8,157,054 B1 \* 4/2012 Adair ..... 182/93  
2003/0079942 A1 \* 5/2003 Pettit ..... 182/115  
2010/0044153 A1 \* 2/2010 Lipniarski ..... 182/113

\* cited by examiner

*Primary Examiner* — Doris Clark

(74) *Attorney, Agent, or Firm* — Mila Shvartsman

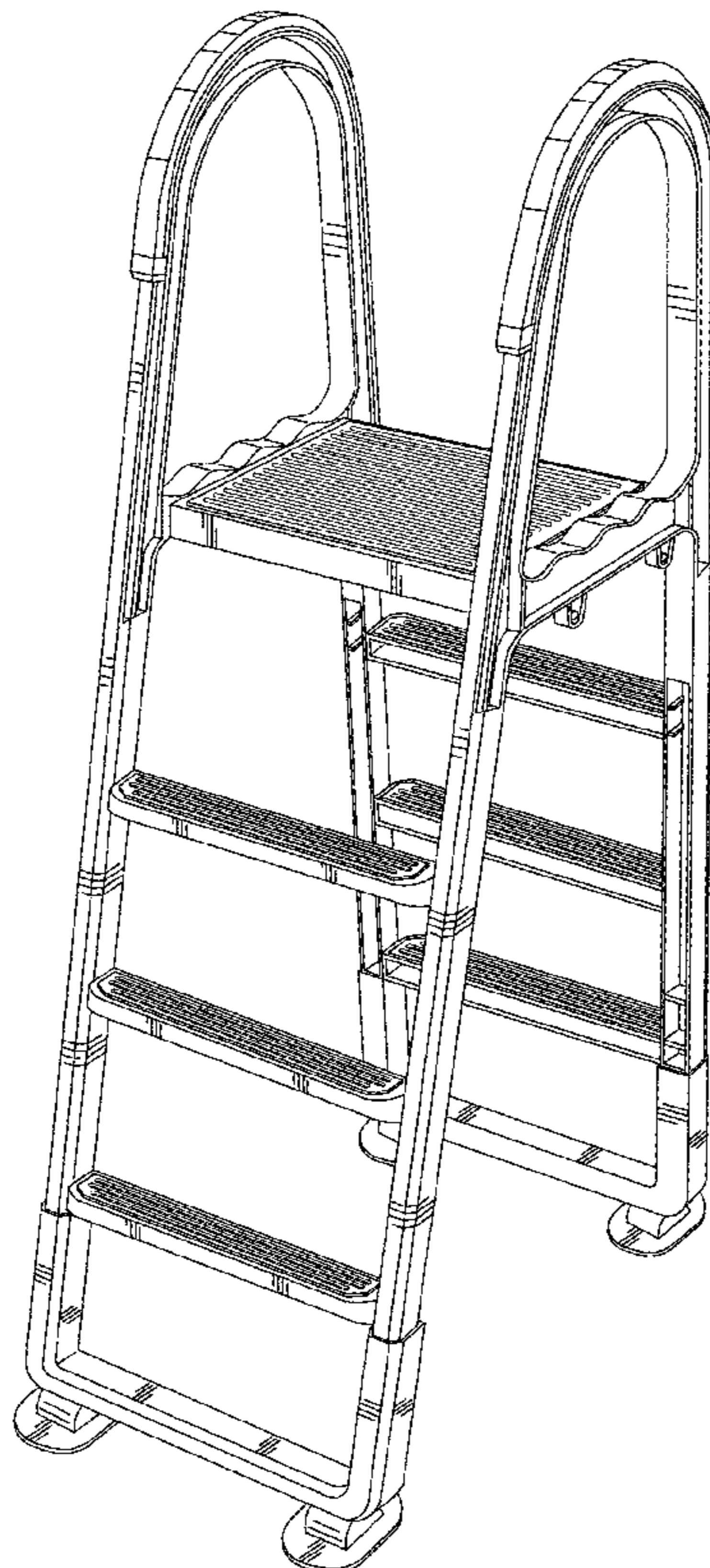
(57) **CLAIM**

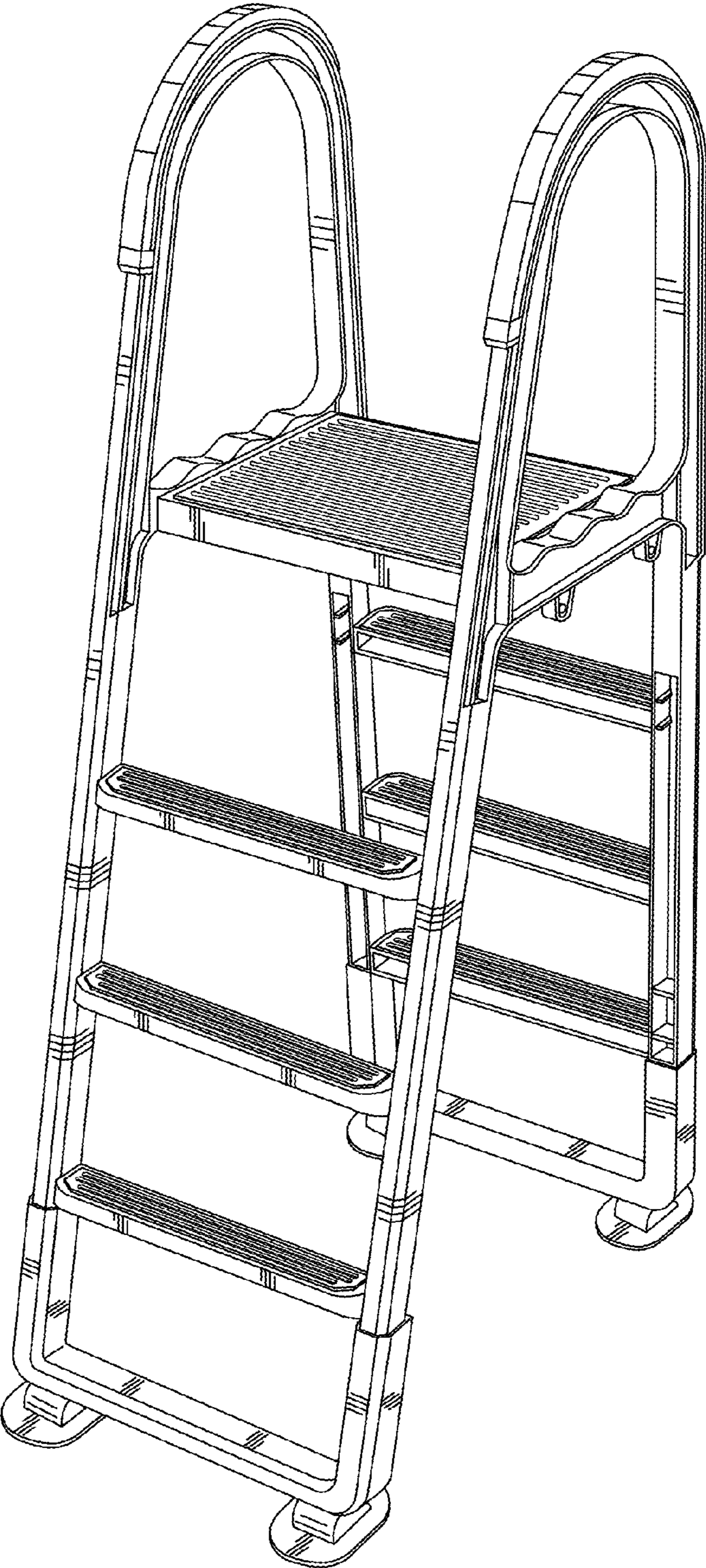
I claim the ornamental design for an A-frame pool ladder, as shown and described.

**DESCRIPTION**

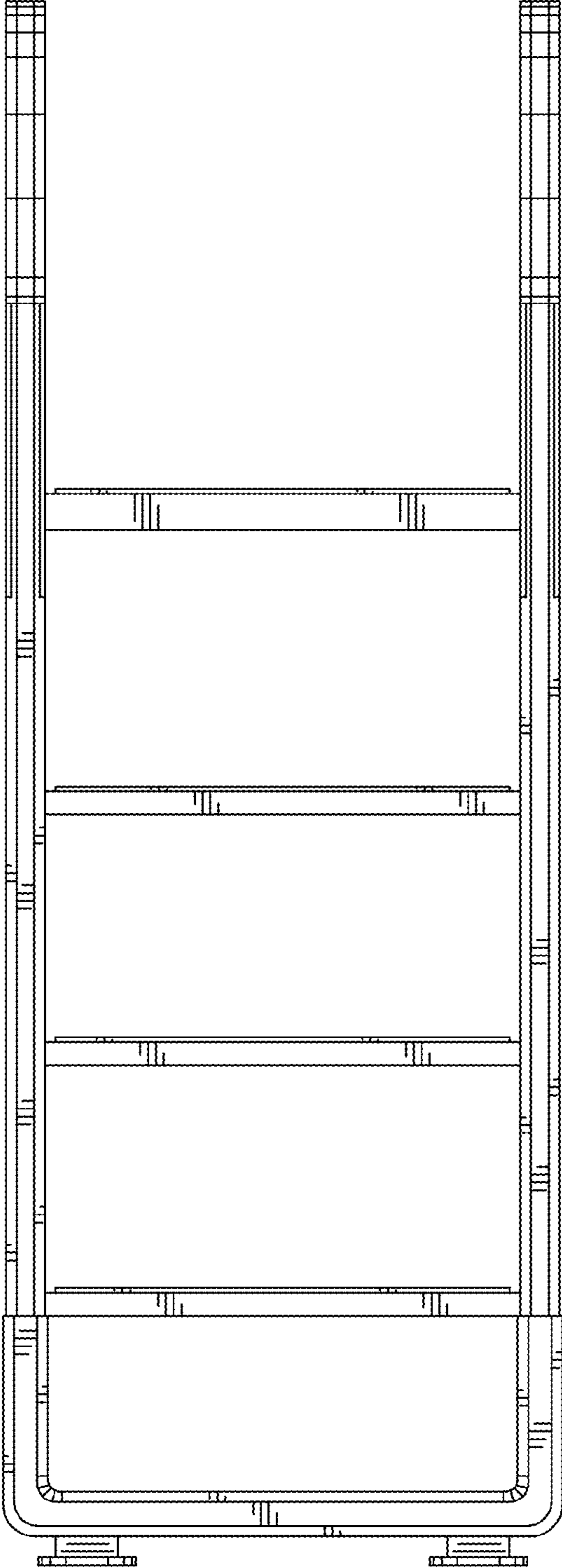
FIG. 1 is a perspective view of an A-frame pool ladder showing my new design;  
FIG. 2 is a front view thereof;  
FIG. 3 is a rear view thereof;  
FIG. 4 is a left side view thereof;  
FIG. 5 is a right view thereof;  
FIG. 6 is a top view thereof; and,  
FIG. 7 is a bottom view thereof.

**1 Claim, 7 Drawing Sheets**

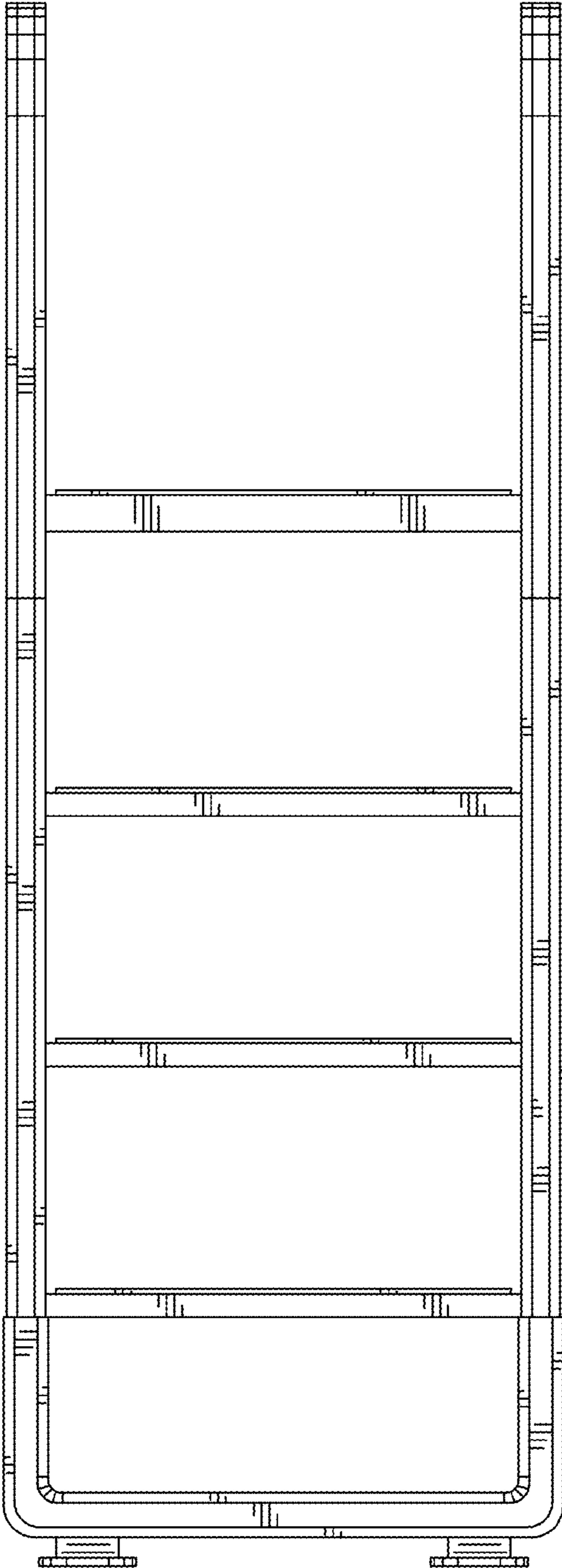




**FIG. 1**



**FIG. 2**



**FIG. 3**

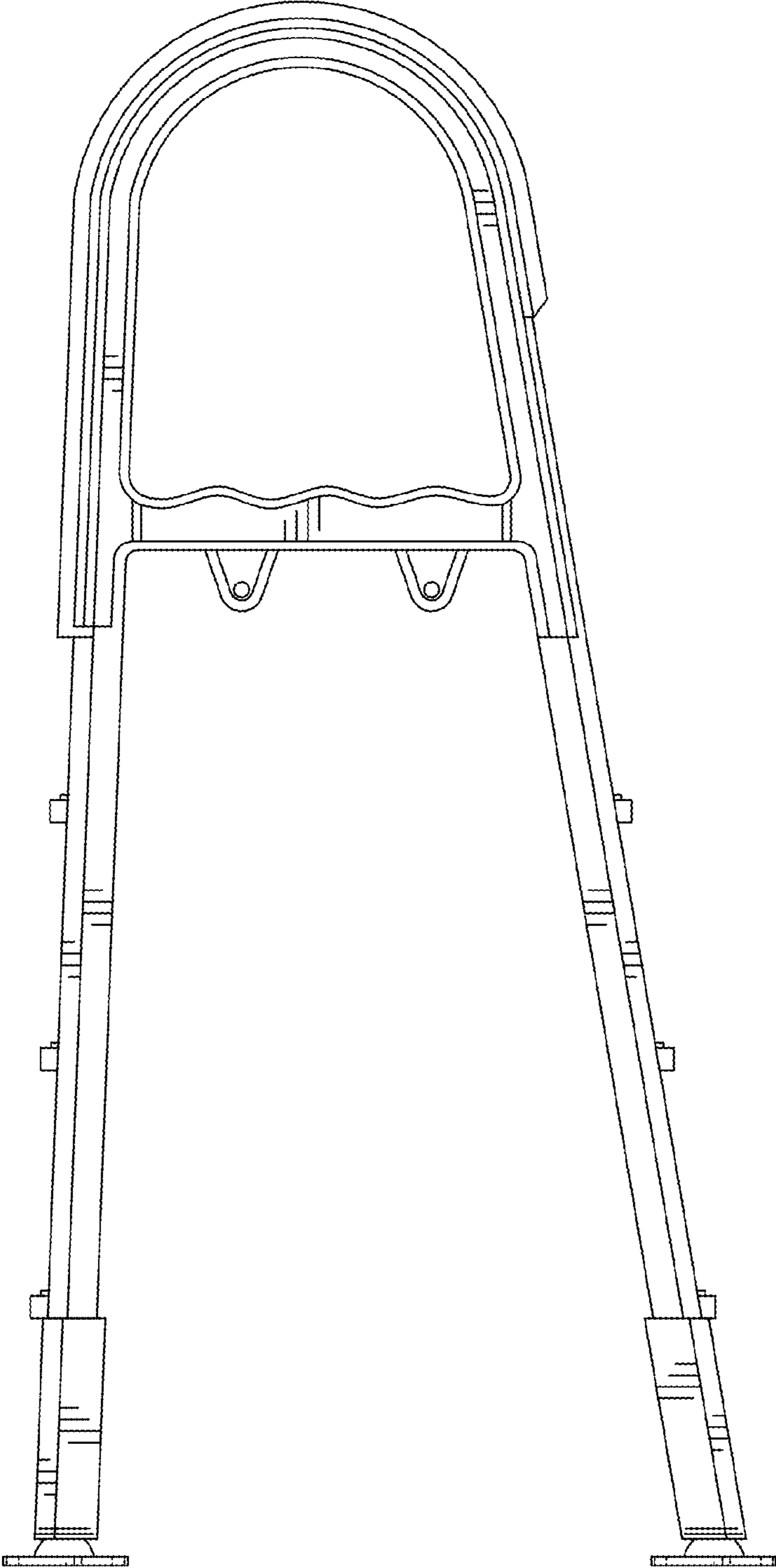


FIG. 4

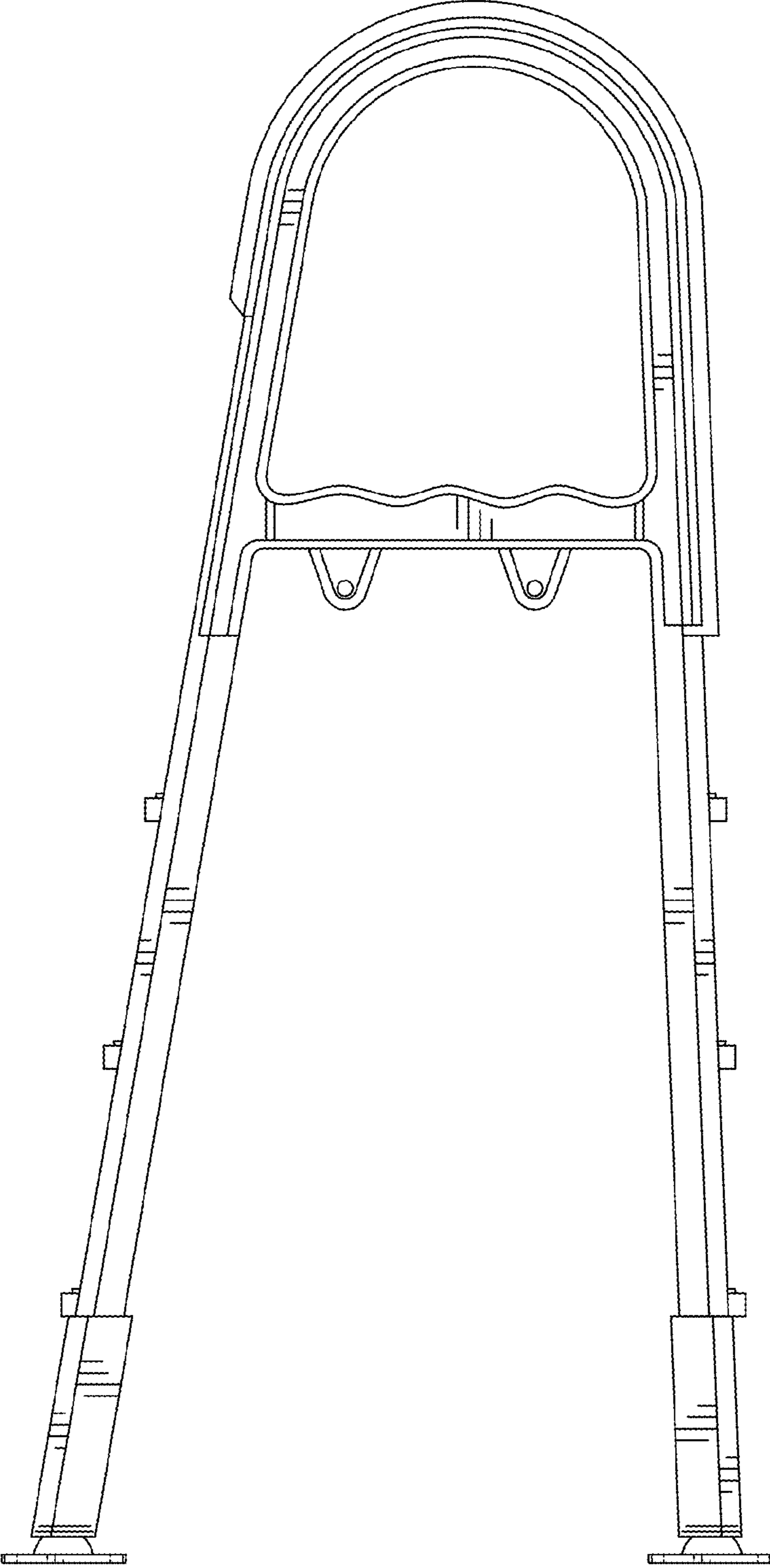
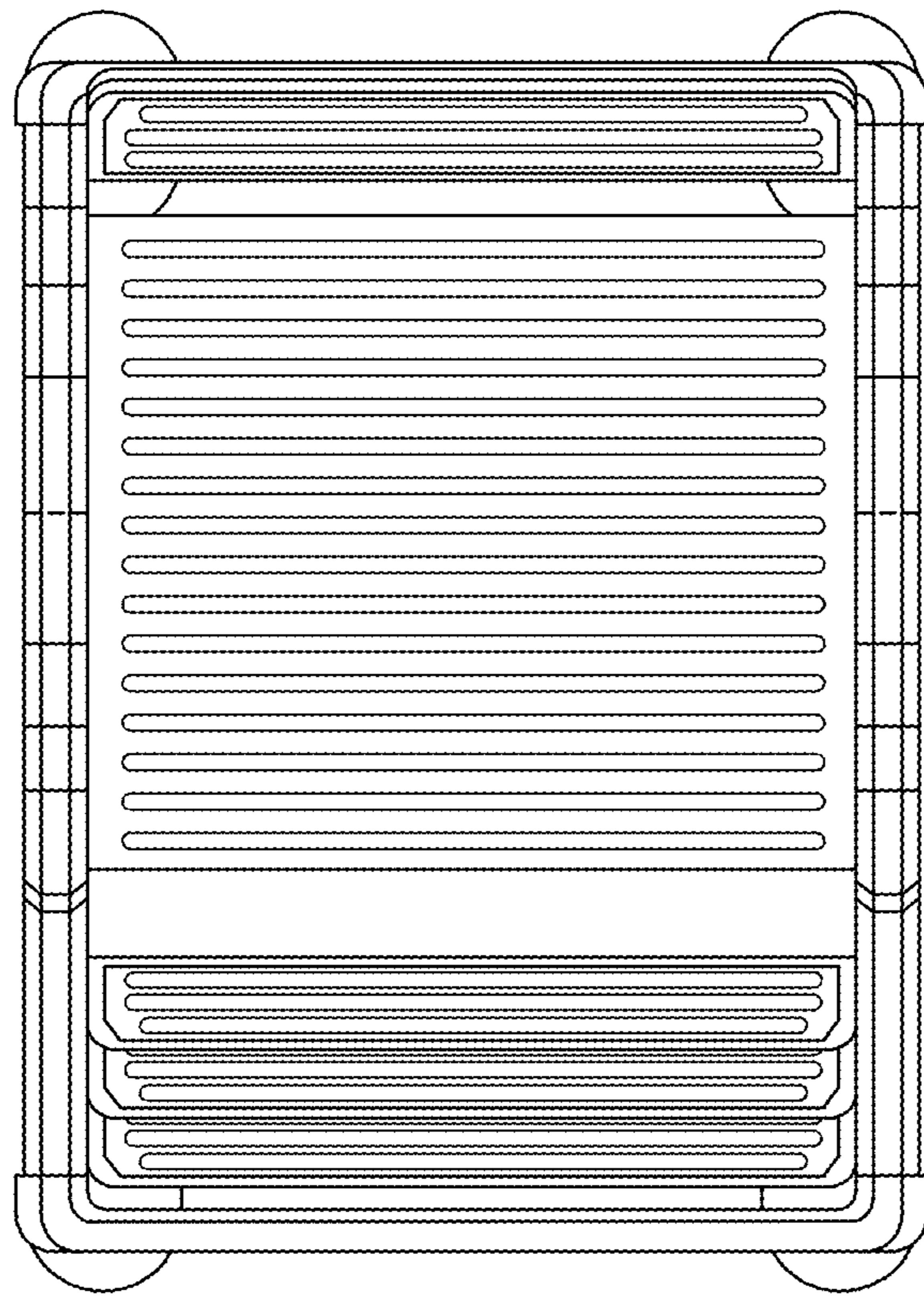
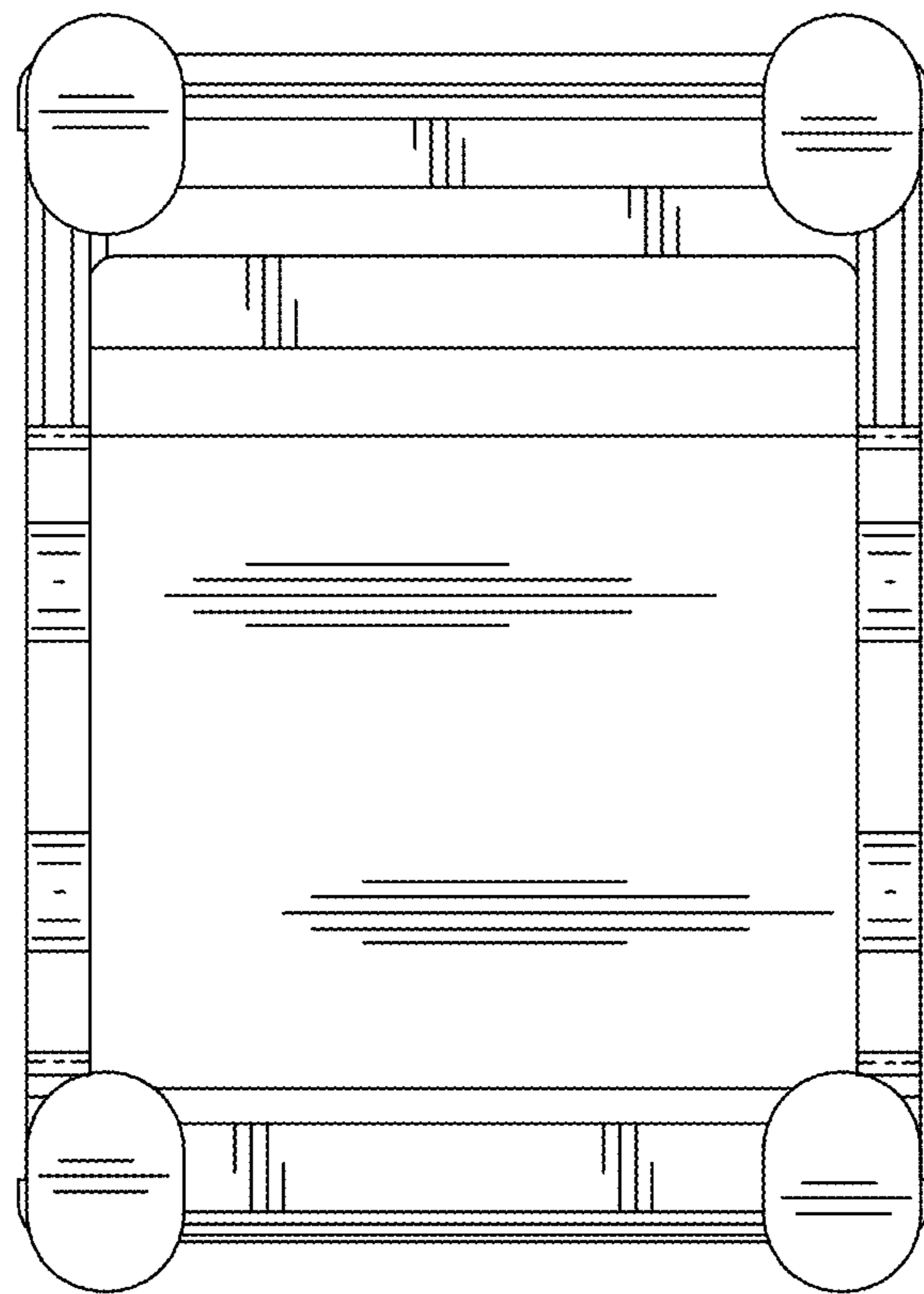


FIG. 5



**FIG. 6**



**FIG. 7**