



US00D707851S

(12) **United States Design Patent**
Pikman

(10) **Patent No.:** **US D707,851 S**
(45) **Date of Patent:** **** Jun. 24, 2014**

- (54) **ACCESS GATE WITH LIGHTS**
- (71) Applicant: **Michael Pikman**, Boca Raton, FL (US)
- (72) Inventor: **Michael Pikman**, Boca Raton, FL (US)
- (**) Term: **14 Years**
- (21) Appl. No.: **29/441,364**
- (22) Filed: **Jan. 4, 2013**
- (51) **LOC (10) Cl.** **25-02**
- (52) **U.S. Cl.**
USPC **D25/48.5**
- (58) **Field of Classification Search**
USPC D25/48.5, 48.6, 126; 49/360, 381, 386,
49/139, 384, 49; 256/10, 17; 404/6
See application file for complete search history.

- 2005/0044703 A1 3/2005 Liu et al.
- 2007/0199243 A1 8/2007 Youn
- 2008/0038055 A1* 2/2008 Jankovsky 404/6
- 2008/0136661 A1 6/2008 Pederson et al.
- 2008/0240854 A1* 10/2008 Binns 404/6

* cited by examiner

Primary Examiner — Doris Clark

(74) *Attorney, Agent, or Firm* — Robert C. Kain, Jr.

(57) **CLAIM**

I claim the ornamental design for an access gate with lights, as shown and described.

DESCRIPTION

FIG. 1 is an enlarged perspective view of the access gate with lights which are not lit.

FIG. 2 is a front elevational view of the access gate with lights shown in FIG. 1.

FIG. 3 is a rear elevational view of the access gate with lights shown in FIG. 1.

FIG. 4 is a top view of the access gate with lights shown in FIG. 1. The bottom view being the same as the top view.

FIG. 5 is an enlarged perspective view of the access gate with lights.

FIG. 6 is a front elevational view of the access gate with lights in a lit condition.

FIG. 7 is a rear elevational view of the access gate with lights in a lit condition; and,

FIG. 8 is a top view of the access gate with lights. The bottom view being the same as the top view.

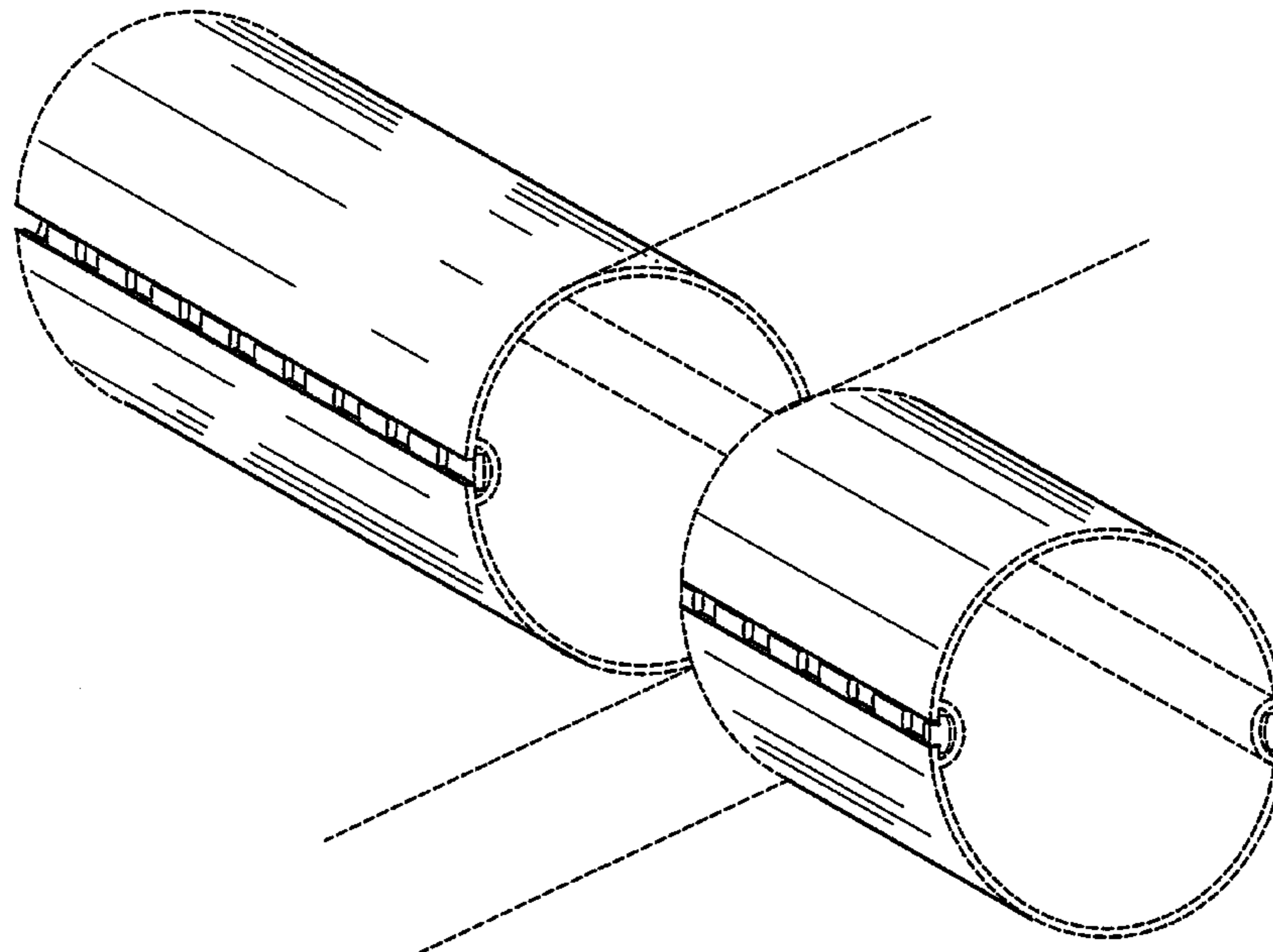
The access gate with lights may be of indeterminate length as indicated by the bisecting broken lines in all the FIGURES. The broken lines in the drawings form no part of the design.

(56) **References Cited**

U.S. PATENT DOCUMENTS

- 2,676,425 A 4/1954 Bonanno
- 3,994,457 A 11/1976 Teasel
- 4,318,079 A * 3/1982 Dickinson 340/928
- 4,784,356 A 11/1988 Fox
- D340,290 S * 10/1993 Rossiter D25/48.5
- 5,466,088 A 11/1995 Nasatka
- 5,884,432 A 3/1999 DeLillo
- 6,189,839 B1 2/2001 Lemieux
- 6,212,825 B1 4/2001 Hopkins, Jr.
- 6,472,823 B2 10/2002 Yen
- 6,487,818 B1 12/2002 Hamann et al.
- 6,747,981 B2 6/2004 Ardalan et al.
- 7,258,461 B1 8/2007 Izardel
- 7,342,510 B2 3/2008 Pate
- 7,818,920 B2 10/2010 Causey et al.
- 7,994,516 B2 8/2011 Chan et al.
- 8,011,797 B2 9/2011 Rihl
- 2002/0013679 A1 1/2002 Petite

1 Claim, 6 Drawing Sheets



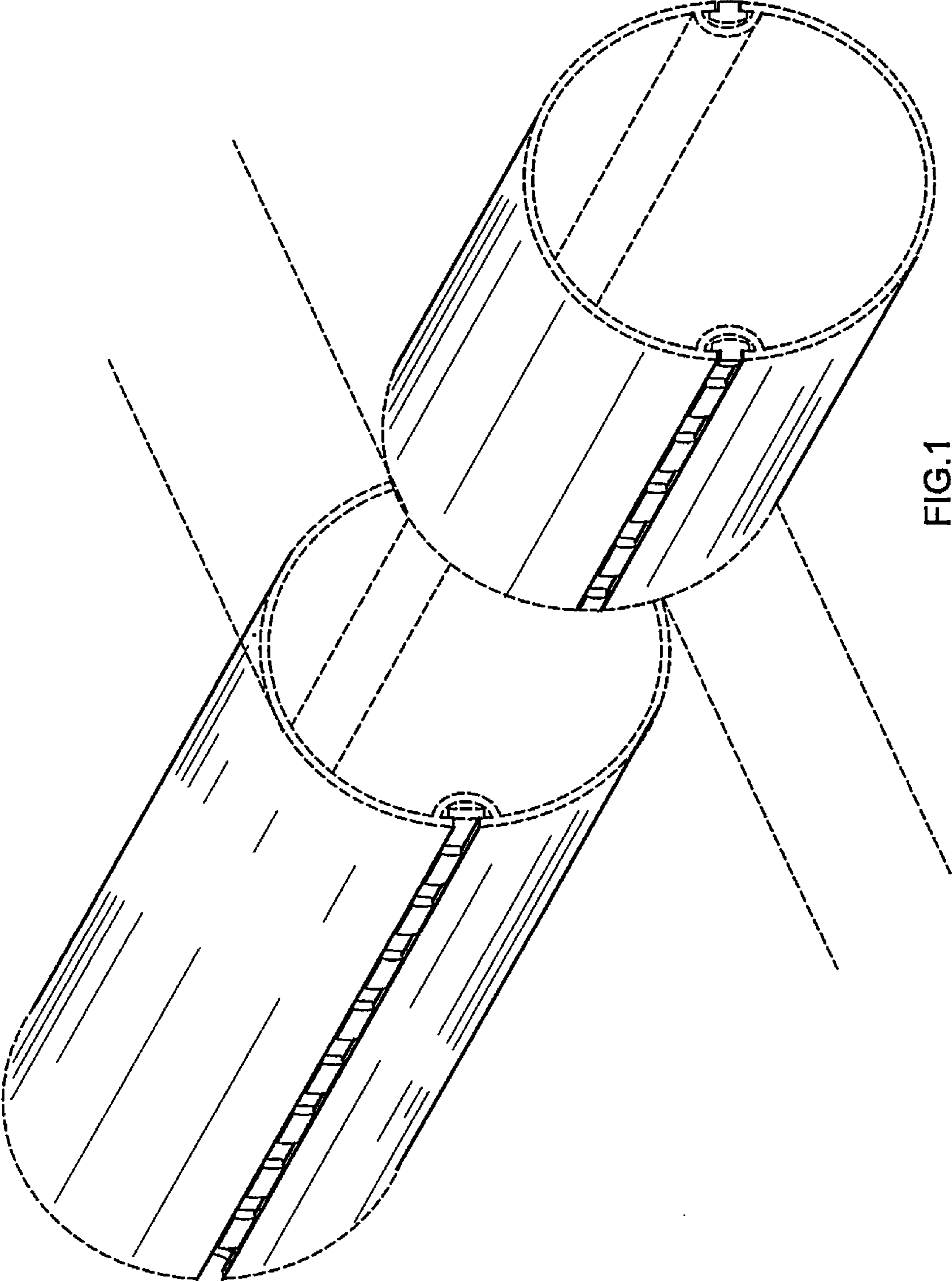


FIG.1

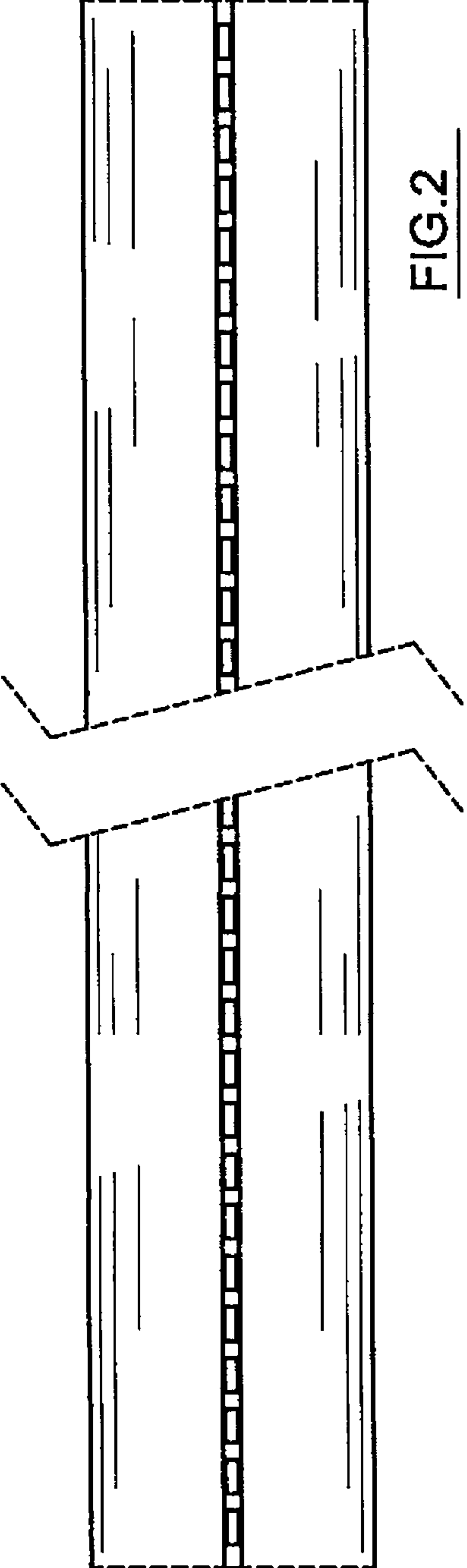


FIG. 2

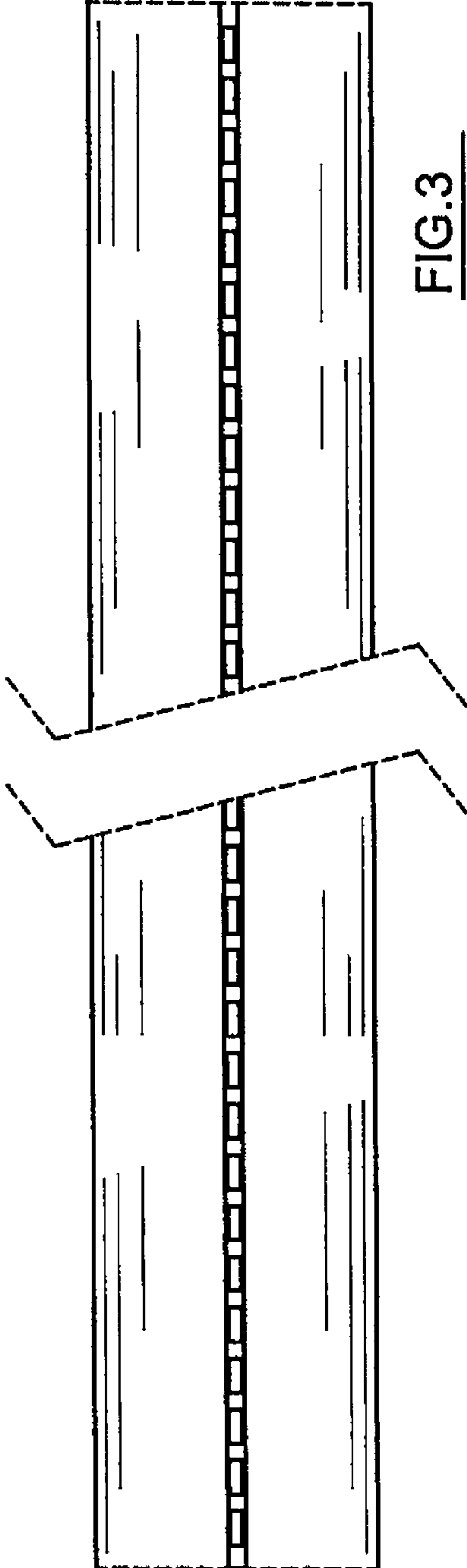


FIG. 3

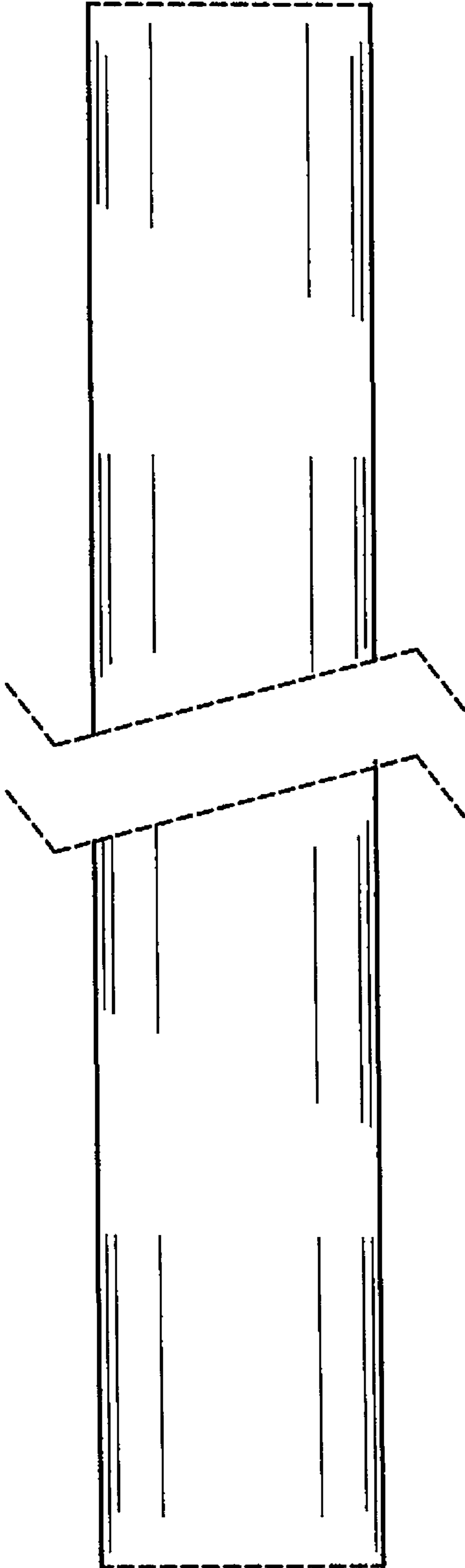


FIG.4

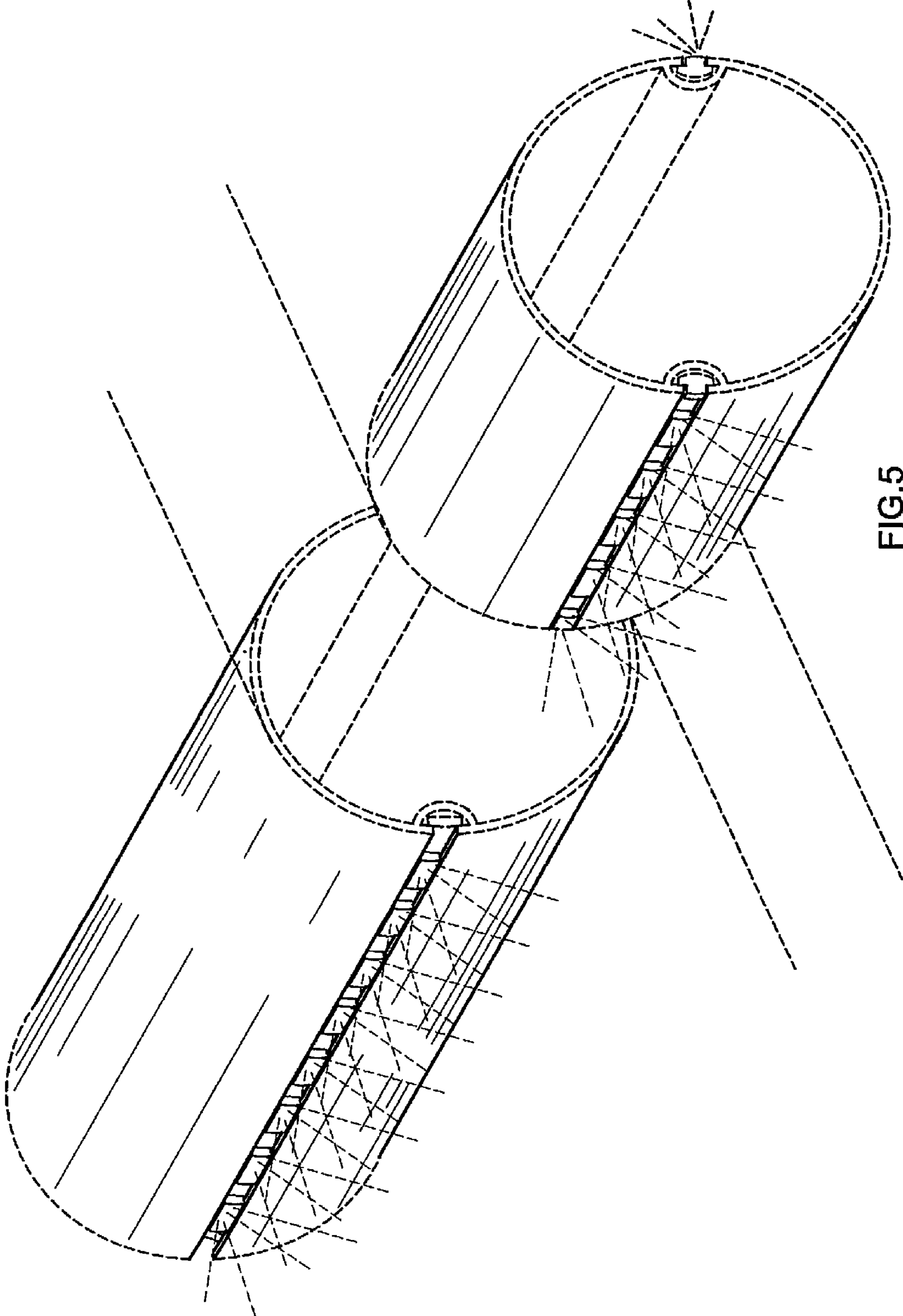


FIG.5

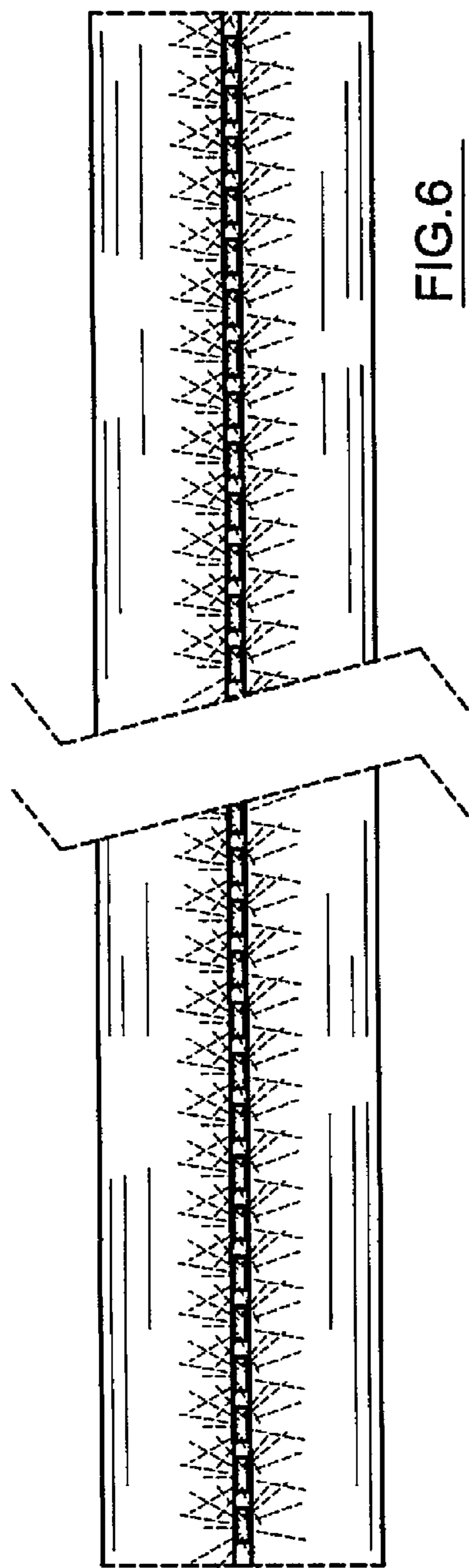


FIG. 6

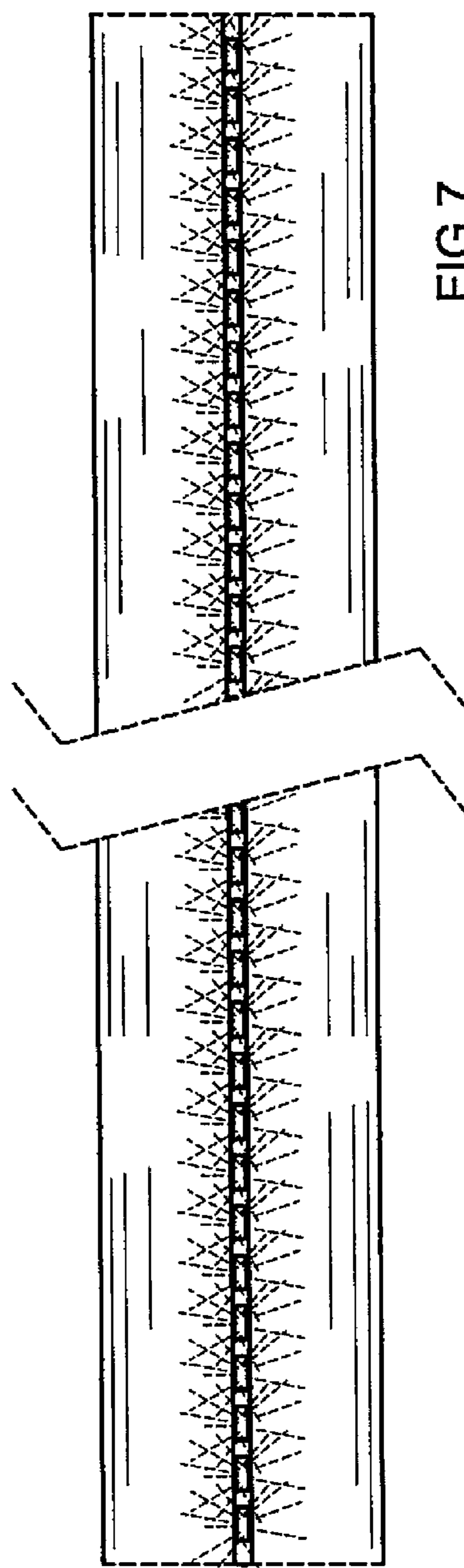


FIG. 7

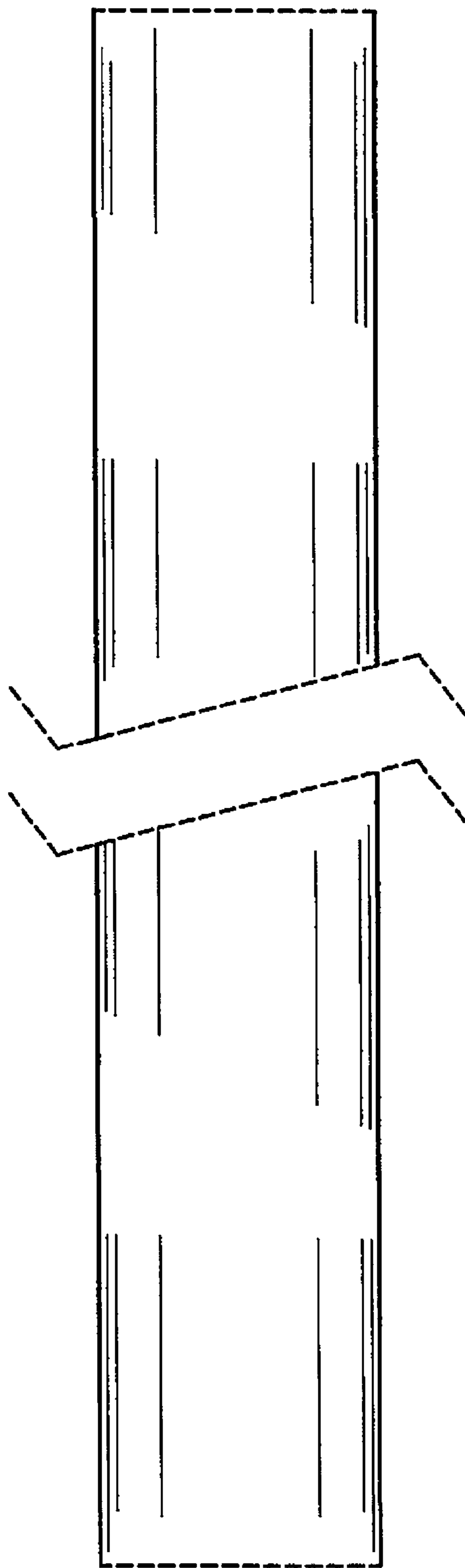


FIG.8