



US00D707847S

(12) **United States Design Patent**
Motadel et al.

(10) **Patent No.:** **US D707,847 S**
(45) **Date of Patent:** **** Jun. 24, 2014**

- (54) **ANTI-STATIC PIPETTE TIP TRAY ASSEMBLY**
- (71) Applicant: **Biotix, Inc.**, San Diego, CA (US)
- (72) Inventors: **Arta Motadel**, San Diego, CA (US);
Scott Edward Curry, San Diego, CA (US)
- (73) Assignee: **Biotix, Inc.**, San Diego, CA (US)
- (**) Term: **14 Years**
- (21) Appl. No.: **29/445,143**
- (22) Filed: **Feb. 7, 2013**

Related U.S. Application Data

- (62) Division of application No. 29/354,397, filed on Jan. 22, 2010, now Pat. No. Des. 679,025.
- (51) **LOC (10) Cl.** **24-02**
- (52) **U.S. Cl.**
USPC **D24/227**
- (58) **Field of Classification Search**
USPC D24/108, 127-130, 216, 222, 224-232;
422/99-104, 250, 266, 297, 300, 476,
422/549, 526, 562; 211/69, 71-72, 74,
211/71.01; D19/37; 436/49
See application file for complete search history.

(56) **References Cited**

U.S. PATENT DOCUMENTS

D246,466 S * 11/1977 Attree et al. D24/226
4,130,978 A 12/1978 Cohen

(Continued)

FOREIGN PATENT DOCUMENTS

EP 1110613 6/2001
WO WO 95/08392 3/1995

(Continued)

OTHER PUBLICATIONS

International Search Report and Written Opinion mailed on: Sep. 2, 2010 in International Application No. PCT/US2010/021838 filed on Jan. 22, 2010 and published as: WO 10/085669 on: Jul. 29, 2010.

(Continued)

Primary Examiner — T. Chase Nelson
Assistant Examiner — Mark Cavanna
(74) *Attorney, Agent, or Firm* — Grant IP, Inc.

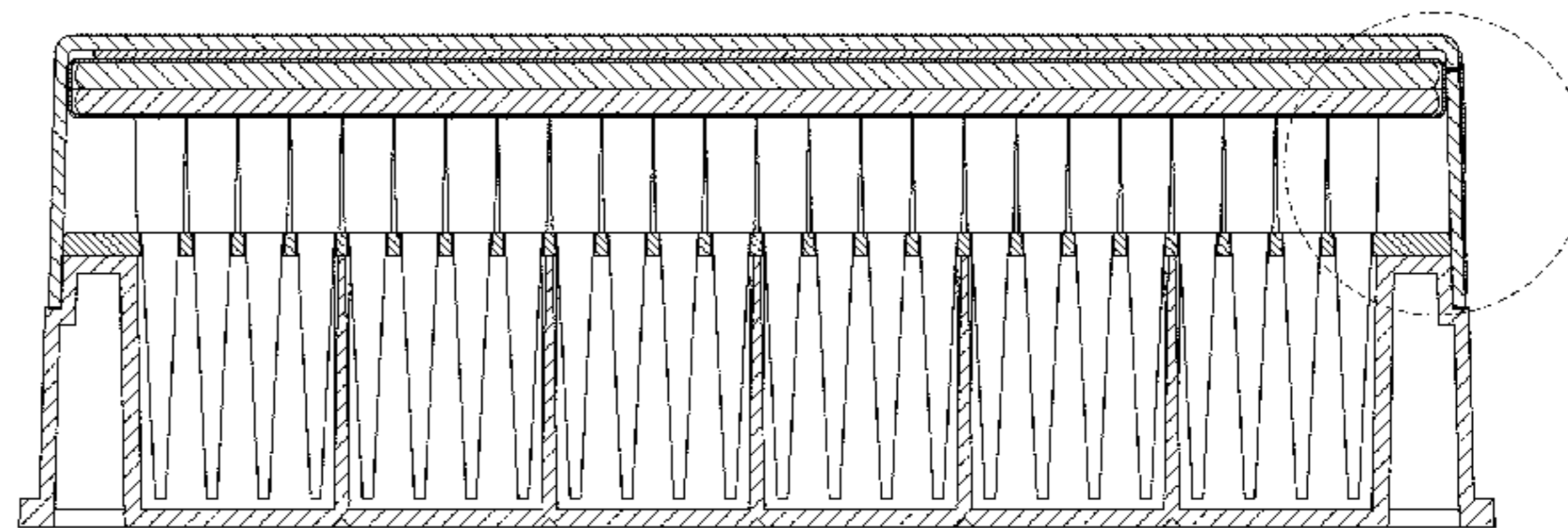
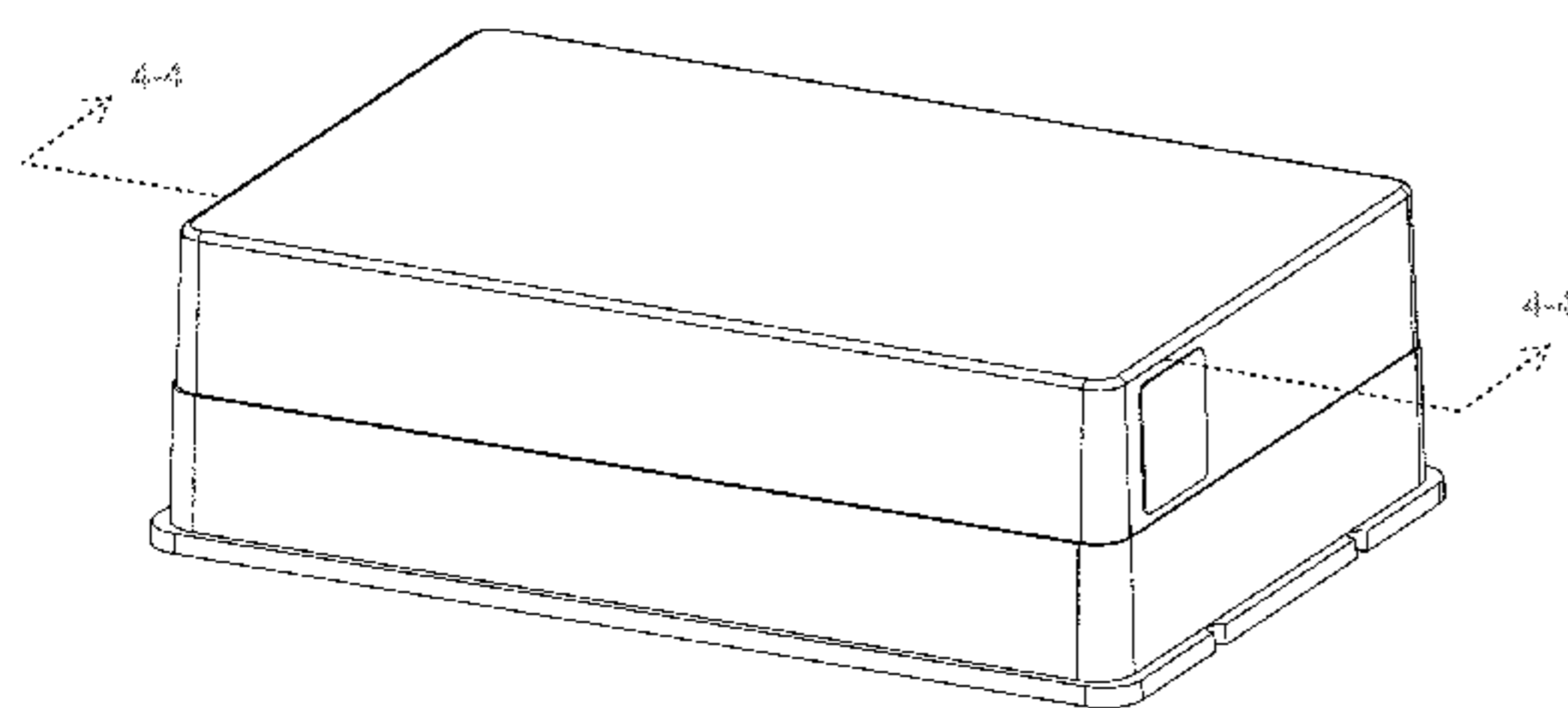
(57) **CLAIM**

The ornamental design for anti-static pipette tip tray assembly, as shown and described.

DESCRIPTION

FIG. 1 is a perspective view of an anti-static pipette tip tray assembly with a side-mounted discharge tab;
 FIG. 2 is a back side view thereof;
 FIG. 3 is a front side view thereof;
 FIG. 4 is a cross sectional view thereof taken along lines 4-4 of FIG. 1;
 FIG. 5 is an enlarged partial view thereof taken along line 5 of FIG. 4;
 FIG. 6 is a right side view thereof;
 FIG. 7 is a left side view thereof;
 FIG. 8 is a top view thereof;
 FIG. 9 is a bottom view thereof;
 FIG. 10 is a top perspective view of a conductive pillow with a side-mounted discharge tab shown separately for clarity of illustration;
 FIG. 11 is a front side view thereof;
 FIG. 12 is a back side view thereof;
 FIG. 13 is a left side view thereof;
 FIG. 14 is a right side view thereof;
 FIG. 15 is a top view thereof; and,
 FIG. 16 is a bottom view thereof.
 The broken lines illustrate portions the anti-static pipette tip tray assembly that form no part of the claim.

1 Claim, 9 Drawing Sheets



(56)

References Cited

U.S. PATENT DOCUMENTS

4,349,109 A 9/1982 Scordato et al.
 D271,239 S 11/1983 Lemieux et al.
 D282,208 S * 1/1986 Lowry D24/222
 D283,162 S * 3/1986 Godsey D24/226
 4,577,760 A 3/1986 Ranin et al.
 4,676,377 A 6/1987 Rainin et al.
 5,156,811 A 10/1992 White
 D332,145 S * 12/1992 Wada et al. D24/227
 D337,165 S 7/1993 Malinoff
 5,255,979 A 10/1993 Ferrari
 5,366,088 A 11/1994 Hill et al.
 5,392,914 A 2/1995 Lemieux et al.
 5,487,872 A 1/1996 Hafeman et al.
 5,612,000 A 3/1997 Lemieux
 5,882,603 A 3/1999 Taggart
 D411,308 S 6/1999 Pandey et al.
 D414,271 S 9/1999 Mendoza
 6,007,779 A 12/1999 Lemieux et al.
 D420,142 S 2/2000 Ballin et al.
 D420,743 S 2/2000 Monks
 6,019,225 A 2/2000 Kalmakis et al.
 6,164,449 A 12/2000 Lahti
 D439,673 S * 3/2001 Brophy et al. D24/226
 D441,091 S * 4/2001 Day D24/230
 6,286,678 B1 9/2001 Petrek
 D448,854 S 10/2001 Kuiper et al.
 D452,740 S * 1/2002 Brennan et al. D24/216
 6,426,047 B1 7/2002 Hamel et al.
 D461,554 S * 8/2002 Lafond et al. D24/230
 D464,734 S * 10/2002 Berna et al. D24/224
 D466,219 S 11/2002 Wynschenk et al.
 6,517,782 B1 * 2/2003 Horner et al. 422/549
 6,875,405 B1 4/2005 Mathus et al.
 7,060,226 B1 6/2006 Jessop et al.
 D529,622 S 10/2006 Hadjis et al.
 D533,948 S 12/2006 Schaub et al.
 D534,658 S * 1/2007 Bargh D24/229
 7,169,361 B2 * 1/2007 Arnold et al. 422/526
 7,220,590 B2 * 5/2007 Moritz et al. 436/49
 D556,338 S 11/2007 Coulling et al.
 D556,339 S 11/2007 Coulling et al.
 D562,463 S 2/2008 Berndt et al.
 7,335,337 B1 2/2008 Smith
 D574,505 S 8/2008 Muller-Cohn et al.
 D576,208 S 9/2008 Quercetti
 D593,207 S 5/2009 Ayliffe
 D598,566 S * 8/2009 Allaer D24/230
 7,628,960 B2 12/2009 Ruddock

D608,013 S * 1/2010 Coulling et al. D24/224
 D632,404 S * 2/2011 Karpiloff D24/230
 7,906,075 B2 3/2011 Ueda
 7,968,056 B2 6/2011 Stockwell
 D654,186 S * 2/2012 Park et al. D24/227
 D657,473 S * 4/2012 Miyashita et al. D24/224
 8,148,168 B2 4/2012 Gjerde et al.
 2003/0064508 A1 4/2003 Kwasnoski et al.
 2003/0152494 A1 8/2003 Moritz et al.
 2006/0093530 A1 5/2006 Ueda
 2007/0017870 A1 1/2007 Belov et al.

FOREIGN PATENT DOCUMENTS

WO WO 00/24513 5/2000
 WO WO 01/70401 9/2001
 WO WO 02/072261 9/2002
 WO WO 03/064271 8/2003
 WO WO 2006/133440 12/2006
 WO WO 2009/126945 10/2009
 WO WO 2010/085669 7/2010

OTHER PUBLICATIONS

International Preliminary Report on Patentability mailed on: Aug. 4, 2011 in International Application No. PCT/US2010/021838 filed on Jan. 22, 2010 and published as: WO 10/085669 on: Jul. 29, 2010.
 Extended European Search Report dated: Jun. 1, 2012 in European Application No. EP10733922 filed Jan. 22, 2010, based on International Application No. PCT/US2010/021838 filed Jan. 22, 2010 and published as WO/2010/085669 on Jul. 29, 2010.
 Office Action mailed: Feb. 26, 2013 in U.S. Appl. No. 12/692,426, filed Jan. 22, 2012 and published as: US-2010/0221151 on: Sep. 2, 2010.
 Office Action mailed: Sep. 25, 2012 in U.S. Appl. No. 12/692,426, filed Jan. 22, 2012 and published as: US-2010/0221151 on: Sep. 2, 2010.
 Office Action mailed: Feb. 13, 2012 in U.S. Appl. No. 12/692,426, filed Jan. 22, 2012 and published as: US-2010/0221151 on: Sep. 2, 2010.
 Office Action mailed: Apr. 26, 2012 in U.S. Appl. No. 29/354,397, filed Jan. 22, 2010.
 Office Action mailed: Nov. 8, 2012 in U.S. Appl. No. 29/354,397, filed Jan. 22, 2010.
 U.S. Appl. No. 61/044,243, filed Apr. 11, 2008 by Arta Motadel.
 Office Action mailed: Mar. 27, 2014 in U.S. Appl. No. 13/769,212, filed Feb. 15, 2014 and published as: US-2013-0161226 on: Jun. 27, 2013.

* cited by examiner

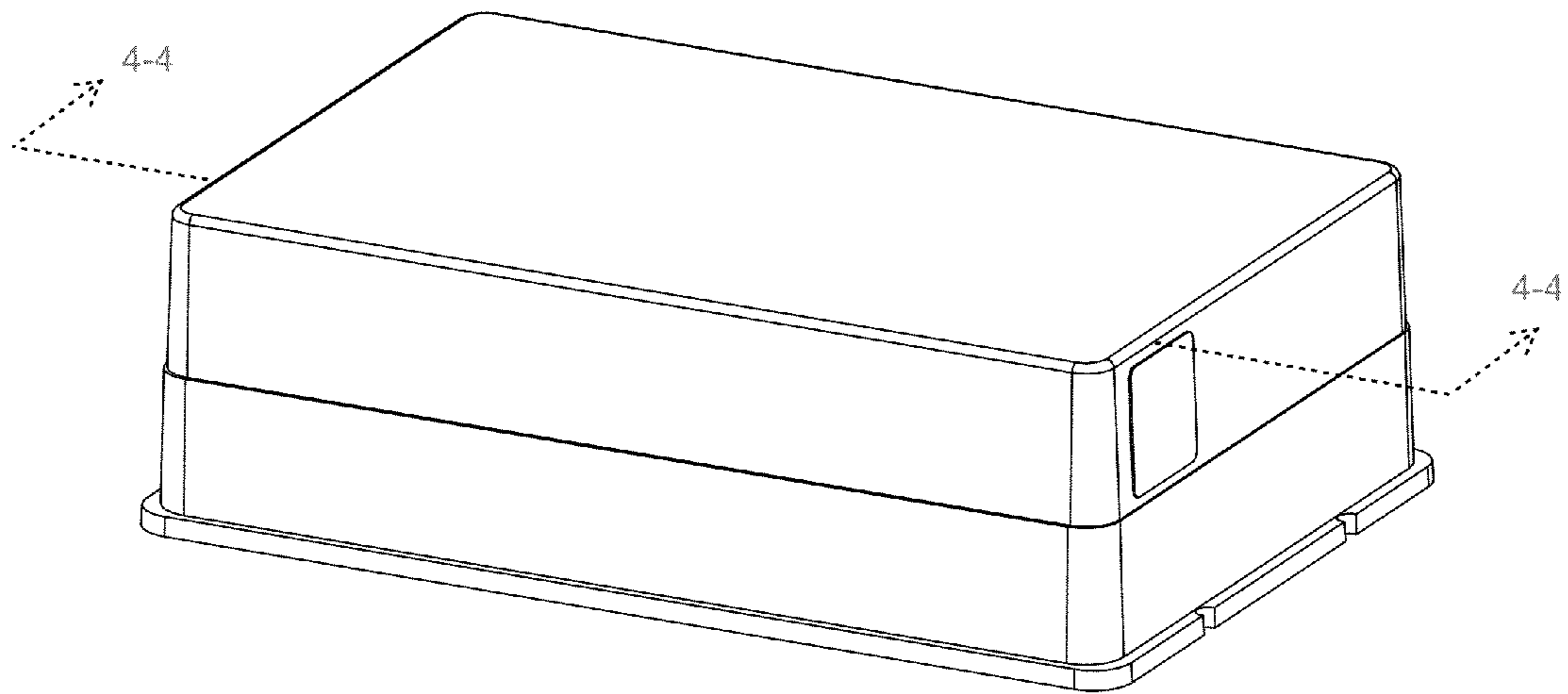


FIG. 1

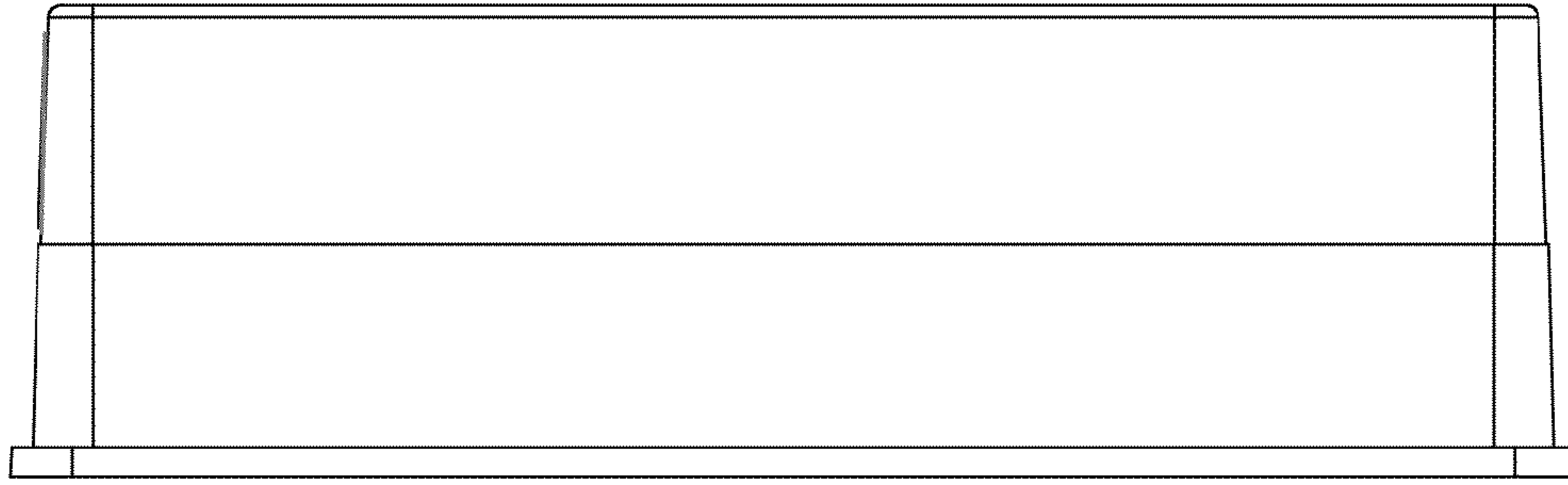


FIG. 2

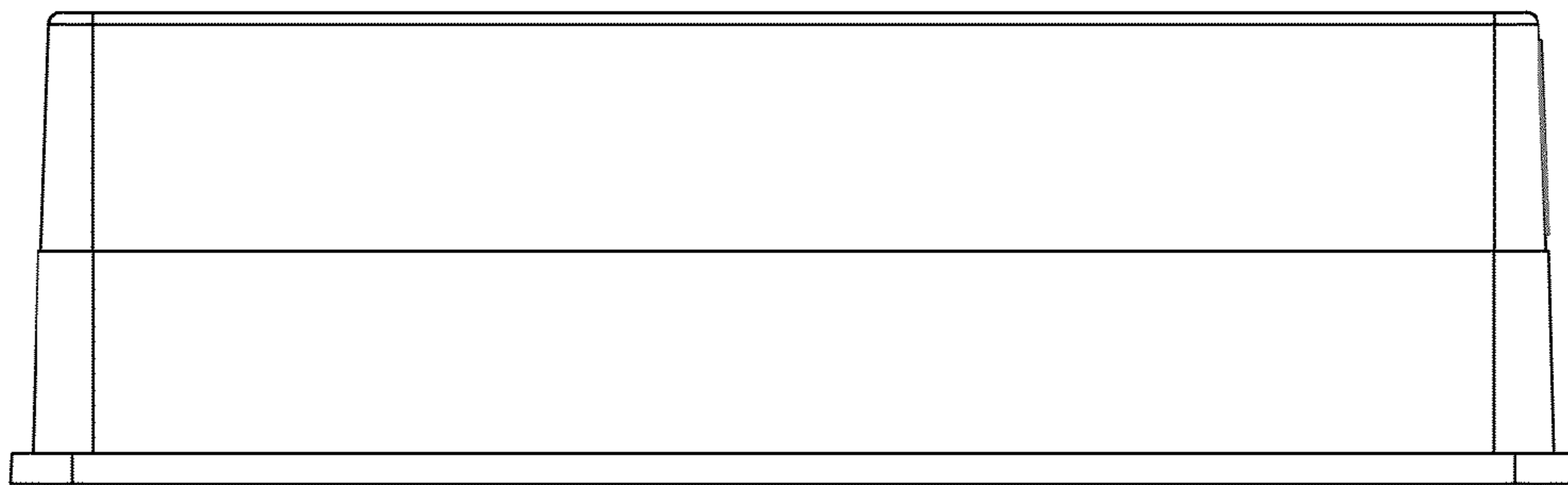
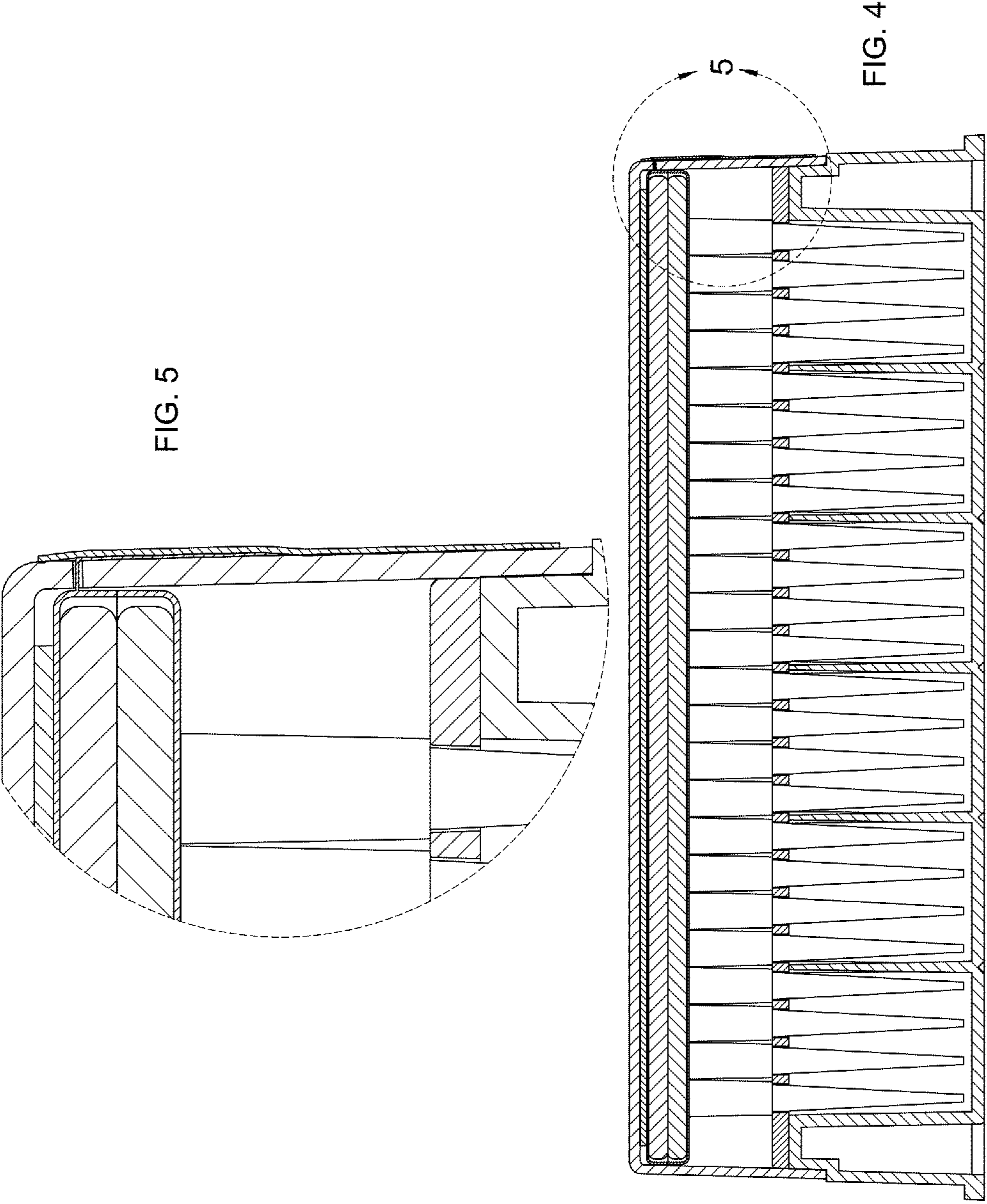


FIG. 3



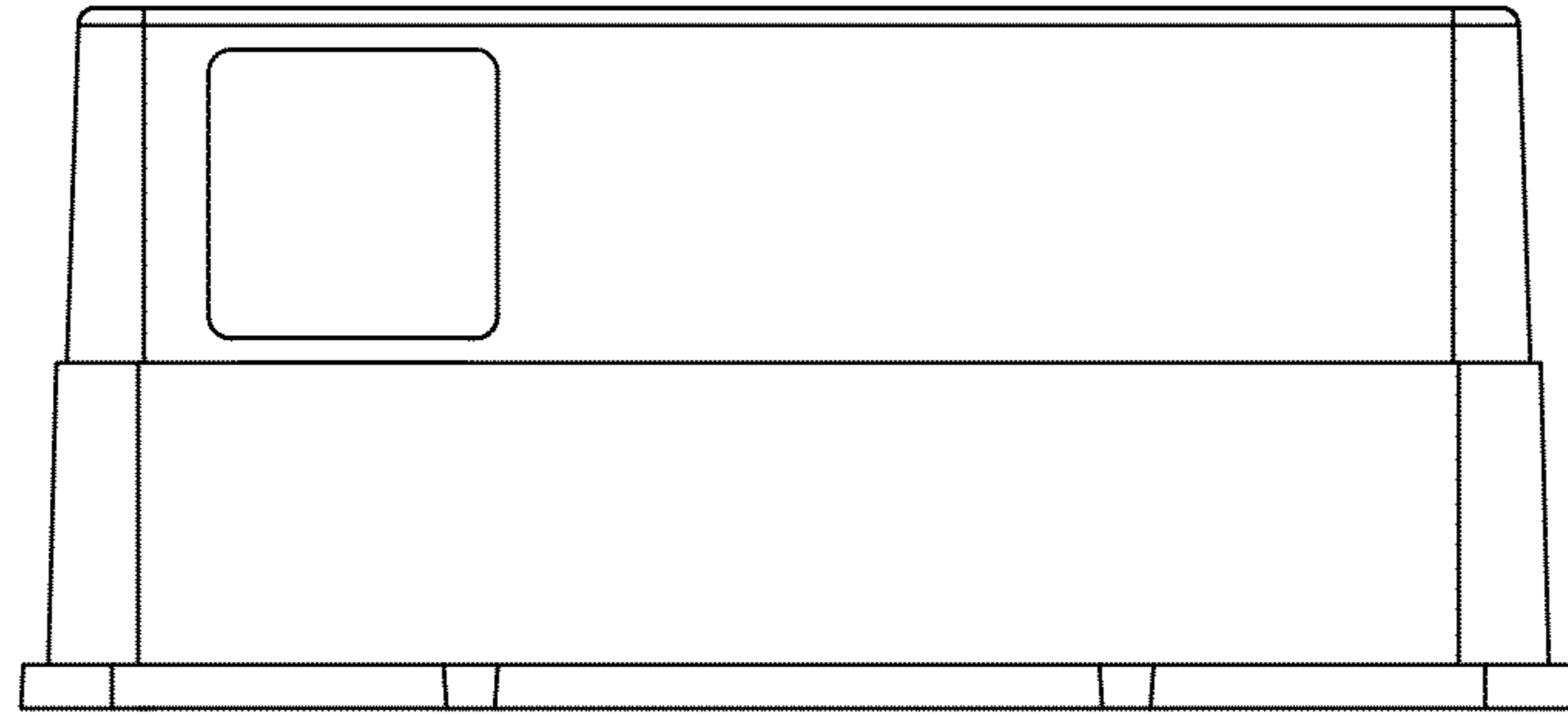


FIG. 6

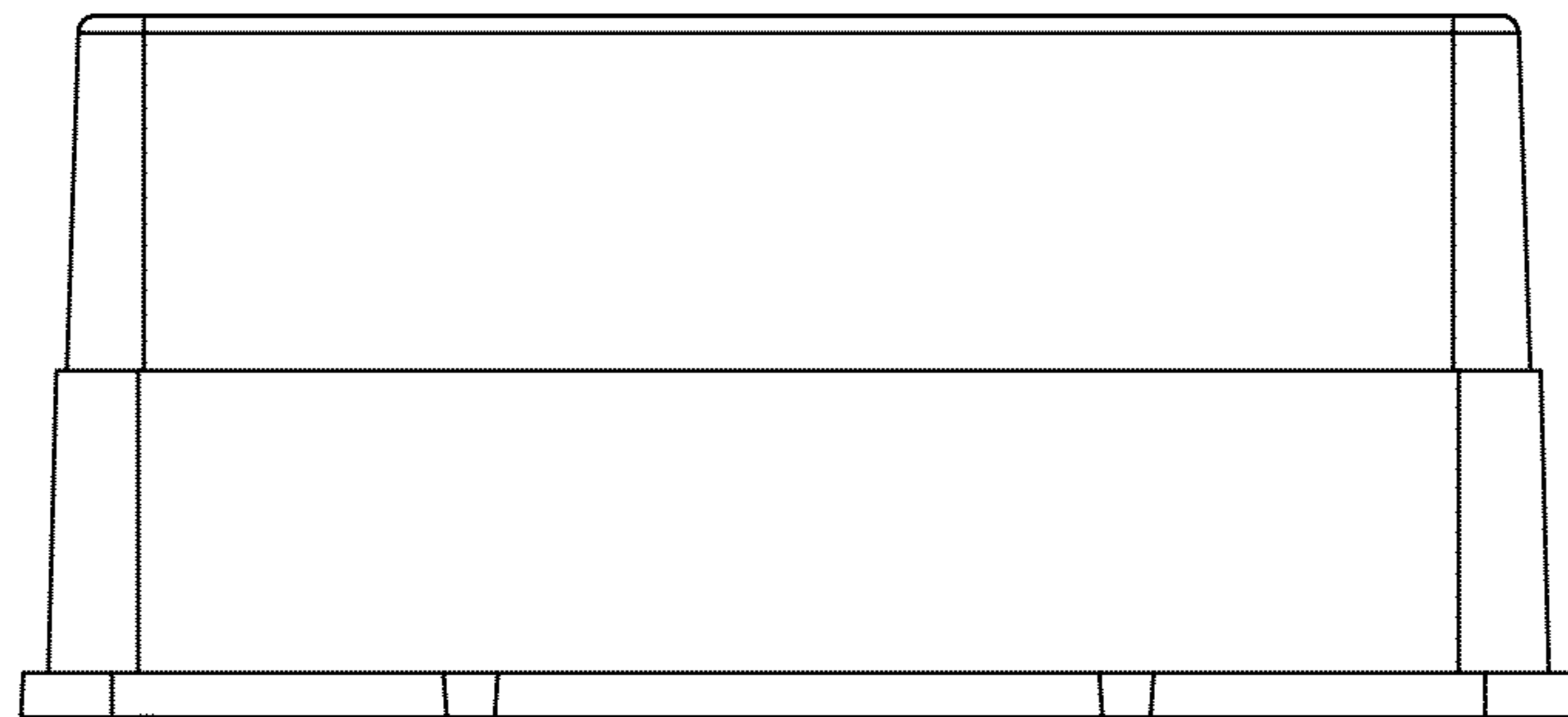


FIG. 7

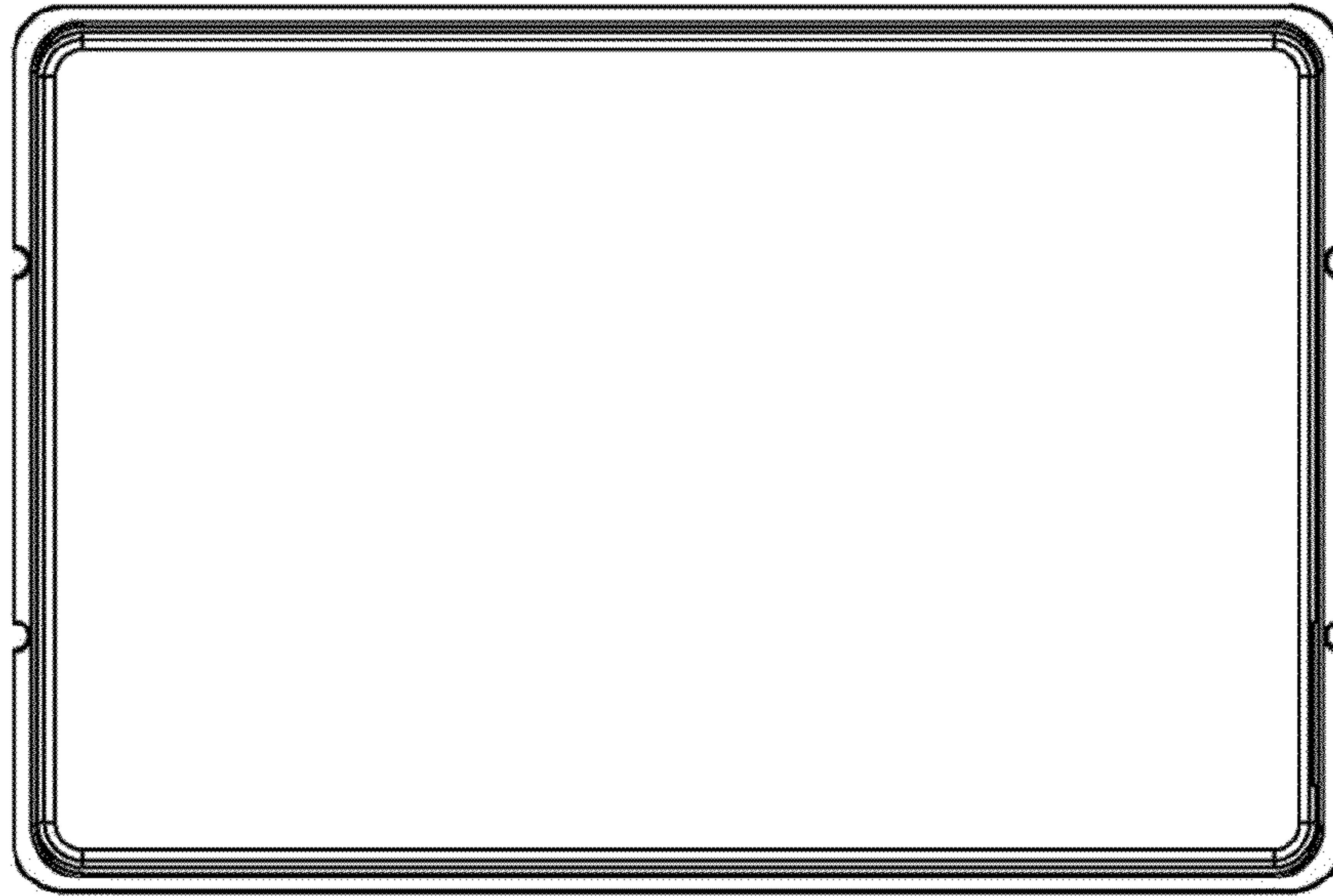


FIG. 8

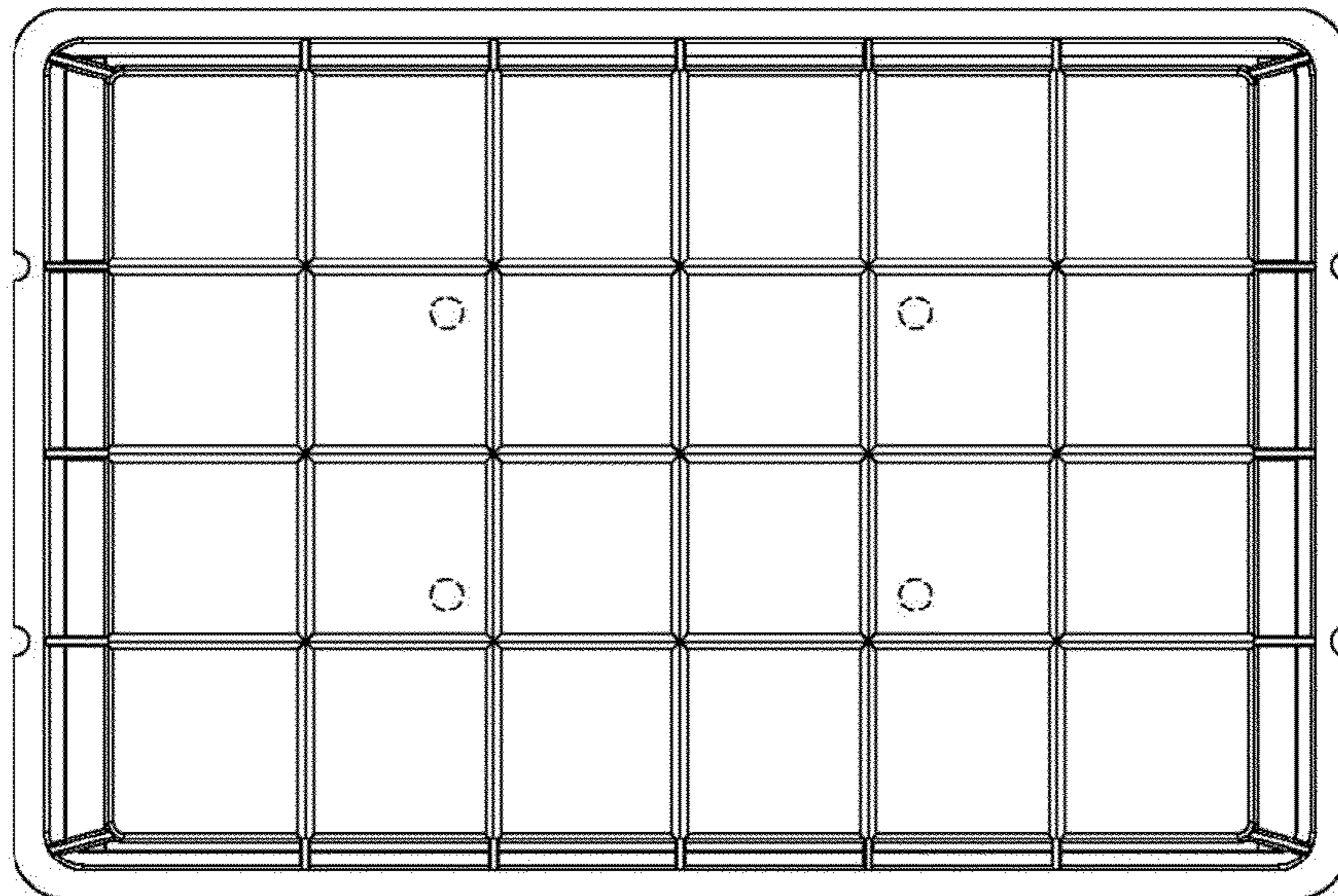


FIG. 9

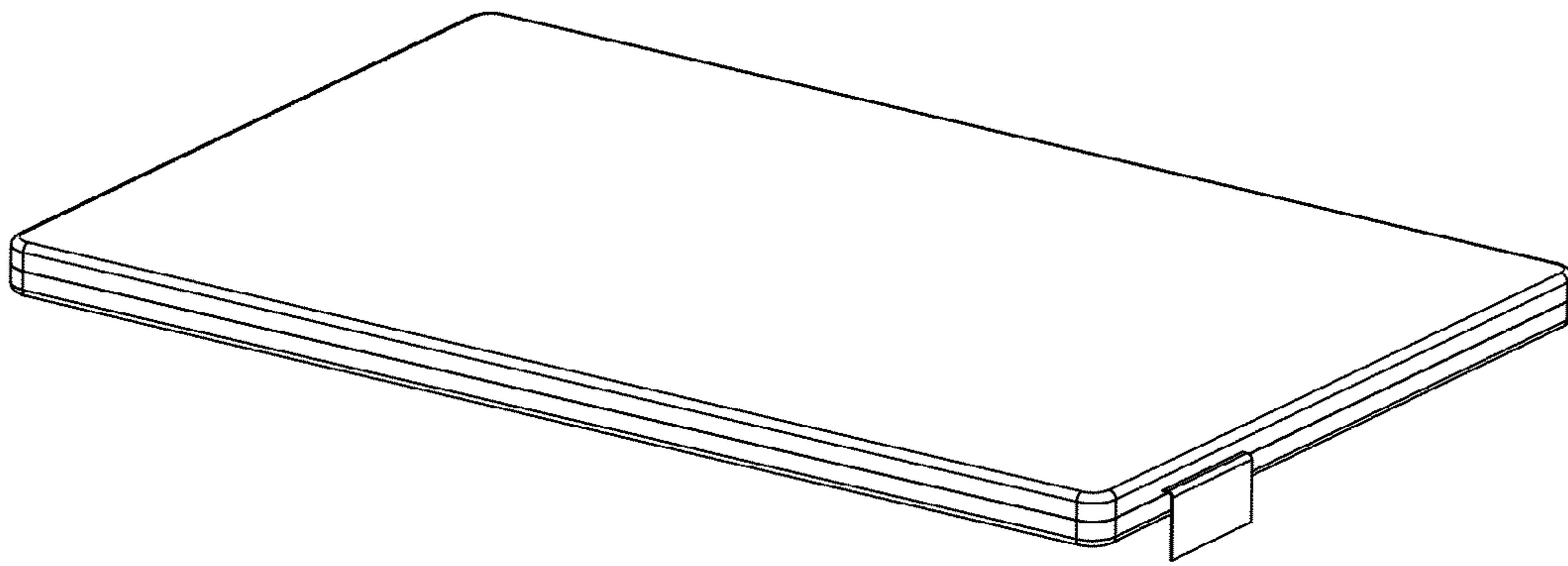


FIG. 10

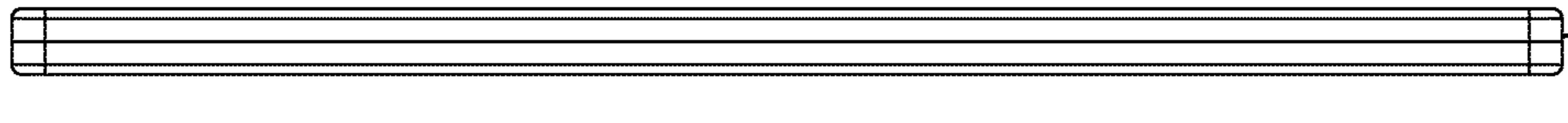


FIG. 11

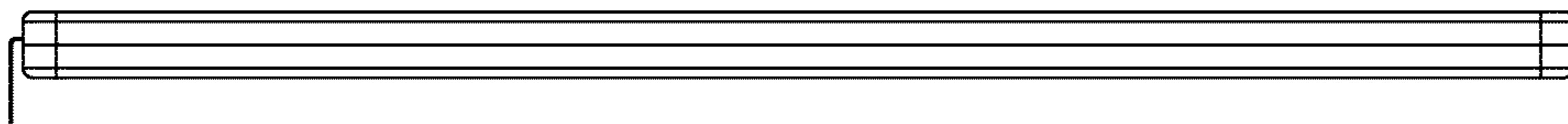


FIG. 12

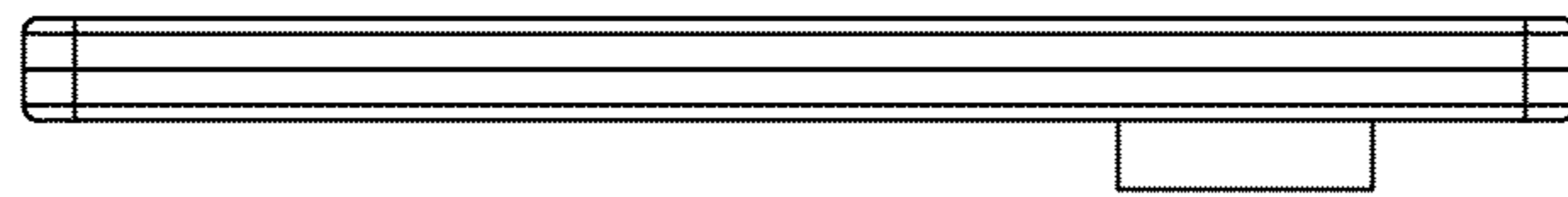


FIG. 13

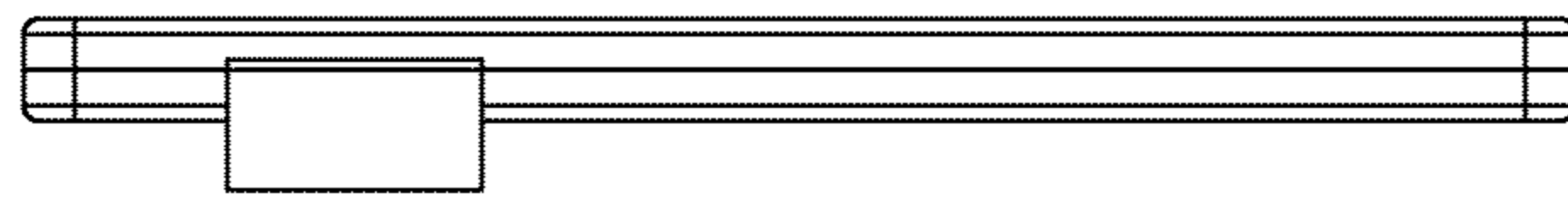


FIG. 14

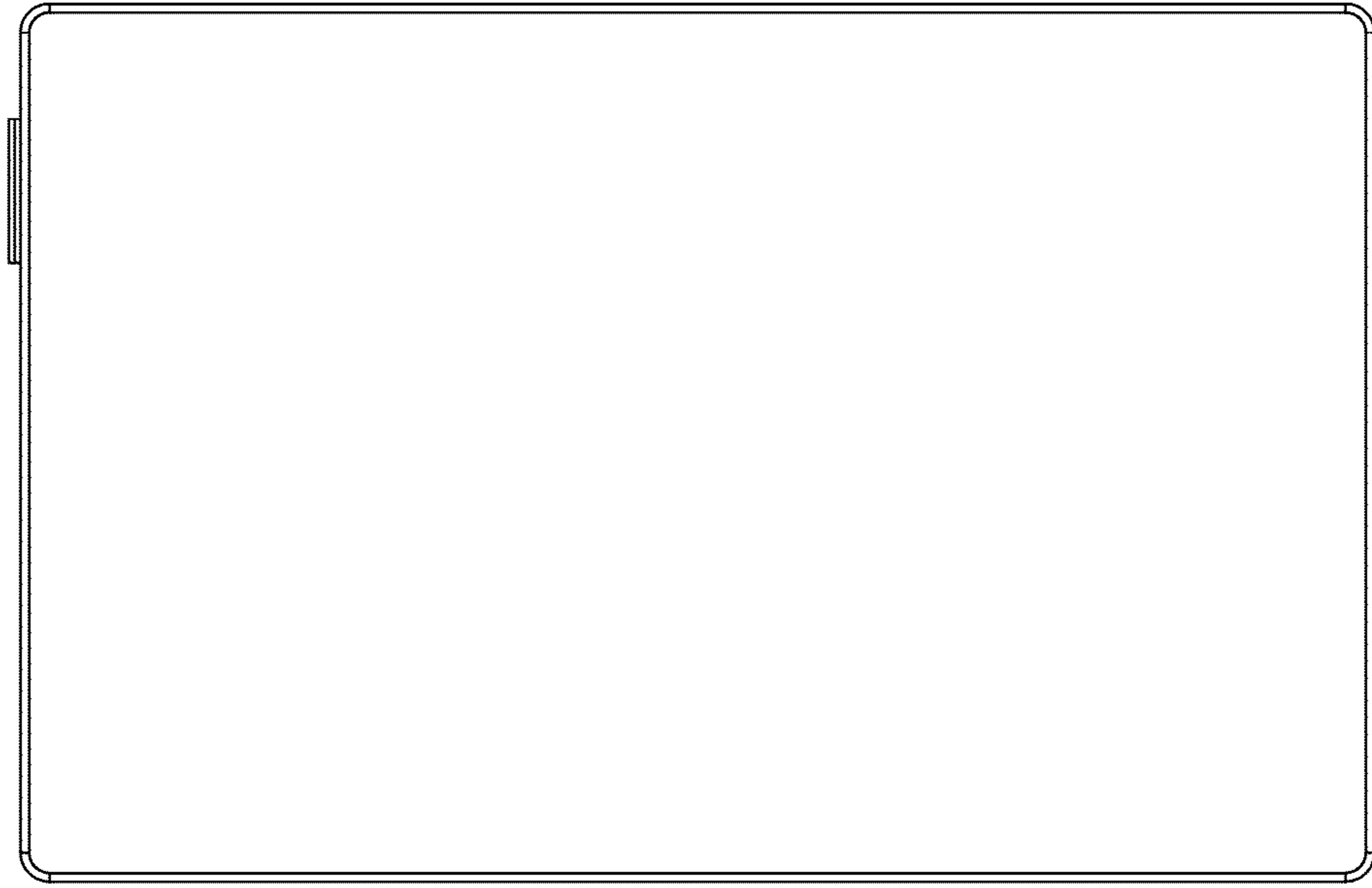


FIG. 15

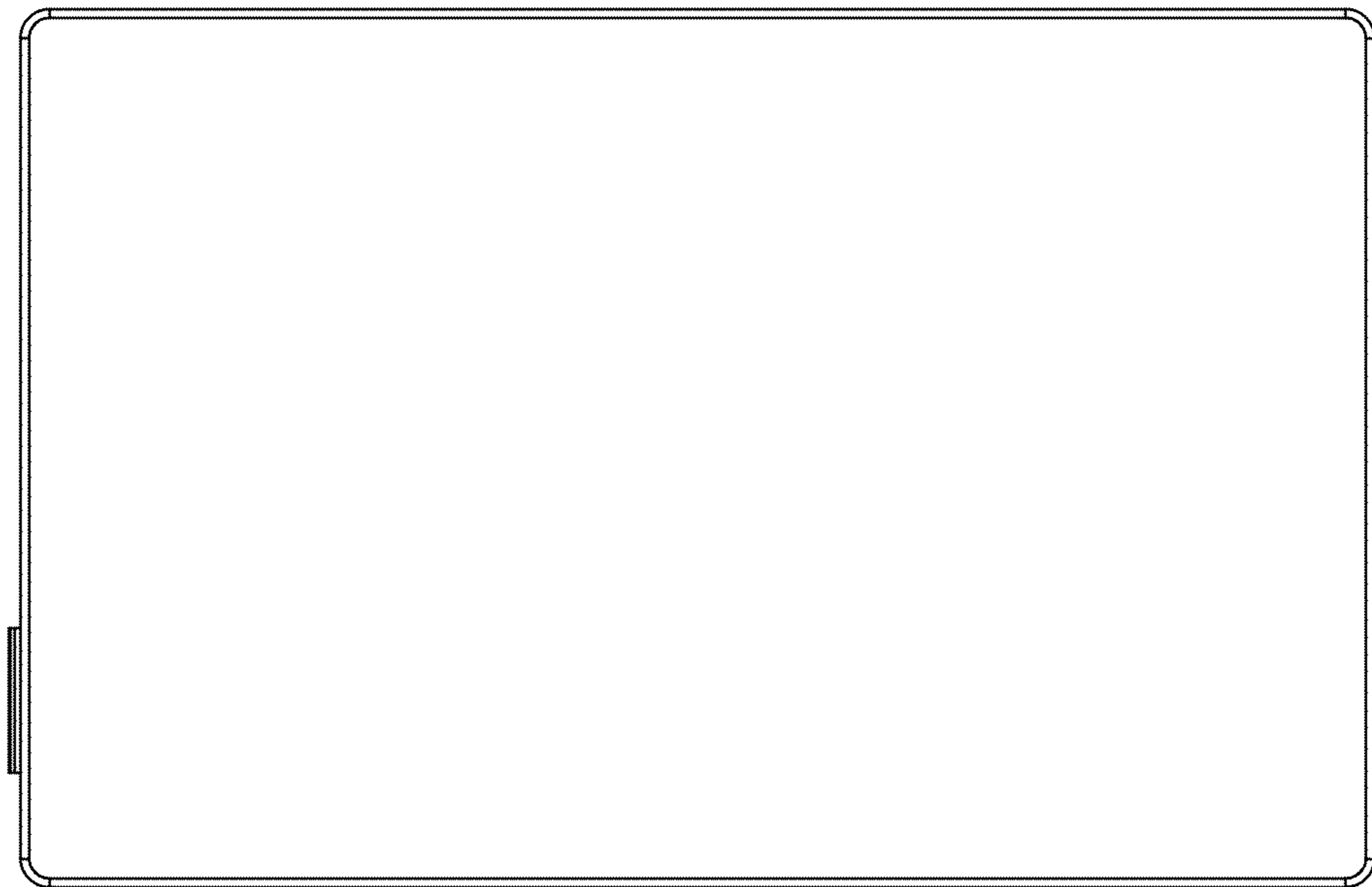


FIG. 16