



US00D707843S

(12) **United States Design Patent**
Mézière

(10) **Patent No.:** **US D707,843 S**
(45) **Date of Patent:** **** Jun. 24, 2014**

(54) **DEVICE FOR MICROBIOLOGICAL ANALYSIS**

(71) Applicant: **bioMérieux Société Anonyme à conseil d'administration**, Marcy l'Etoile (FR)

(72) Inventor: **Cyril Mézière**, Vileurbanne (FR)

(73) Assignee: **bioMérieux Société Anonyme à conseil d'administration**, Marcy l'Etoile (FR)

(**) Term: **14 Years**

(21) Appl. No.: **29/452,584**

(22) Filed: **Apr. 18, 2013**

(51) **LOC (10) Cl.** **24-01**

(52) **U.S. Cl.**
USPC **D24/216**

(58) **Field of Classification Search**
USPC D24/216, 217, 219, 223, 231, 232, 233, D24/107, 169, 186; D10/81; 422/500, 547, 422/62-65, 67; 435/287.1, 287.3; 436/43, 436/45, 47
See application file for complete search history.

(56) **References Cited**

U.S. PATENT DOCUMENTS

D285,114 S * 8/1986 Collister et al. D24/216
D523,153 S * 6/2006 Akashi et al. D24/232

D556,914 S * 12/2007 Okamoto et al. D24/233
D561,349 S * 2/2008 Levin et al. D24/232
D638,545 S * 5/2011 Okawa et al. D24/186
D687,968 S * 8/2013 Trigg et al. D24/232
D688,804 S * 8/2013 Kim et al. D24/216
D689,193 S * 9/2013 Shinohara et al. D24/216
D694,888 S * 12/2013 Chung et al. D24/216

* cited by examiner

Primary Examiner — Anhdao Doan

(74) *Attorney, Agent, or Firm* — Winstead PC

(57) **CLAIM**

The ornamental design for a device for microbiological analysis, as shown and described.

DESCRIPTION

FIG. 1 is a perspective view of a device for microbiological analysis in accordance with the design;
FIG. 2 is a front view thereof;
FIG. 3 is a back view thereof;
FIG. 4 is a left side view thereof;
FIG. 5 is a right side view thereof;
FIG. 6 is a top plan view thereof; and,
FIG. 7 is a bottom plan view thereof.

Any broken lines present in the drawings are for illustrative purposes only and form no part of the design to be patented.

1 Claim, 7 Drawing Sheets

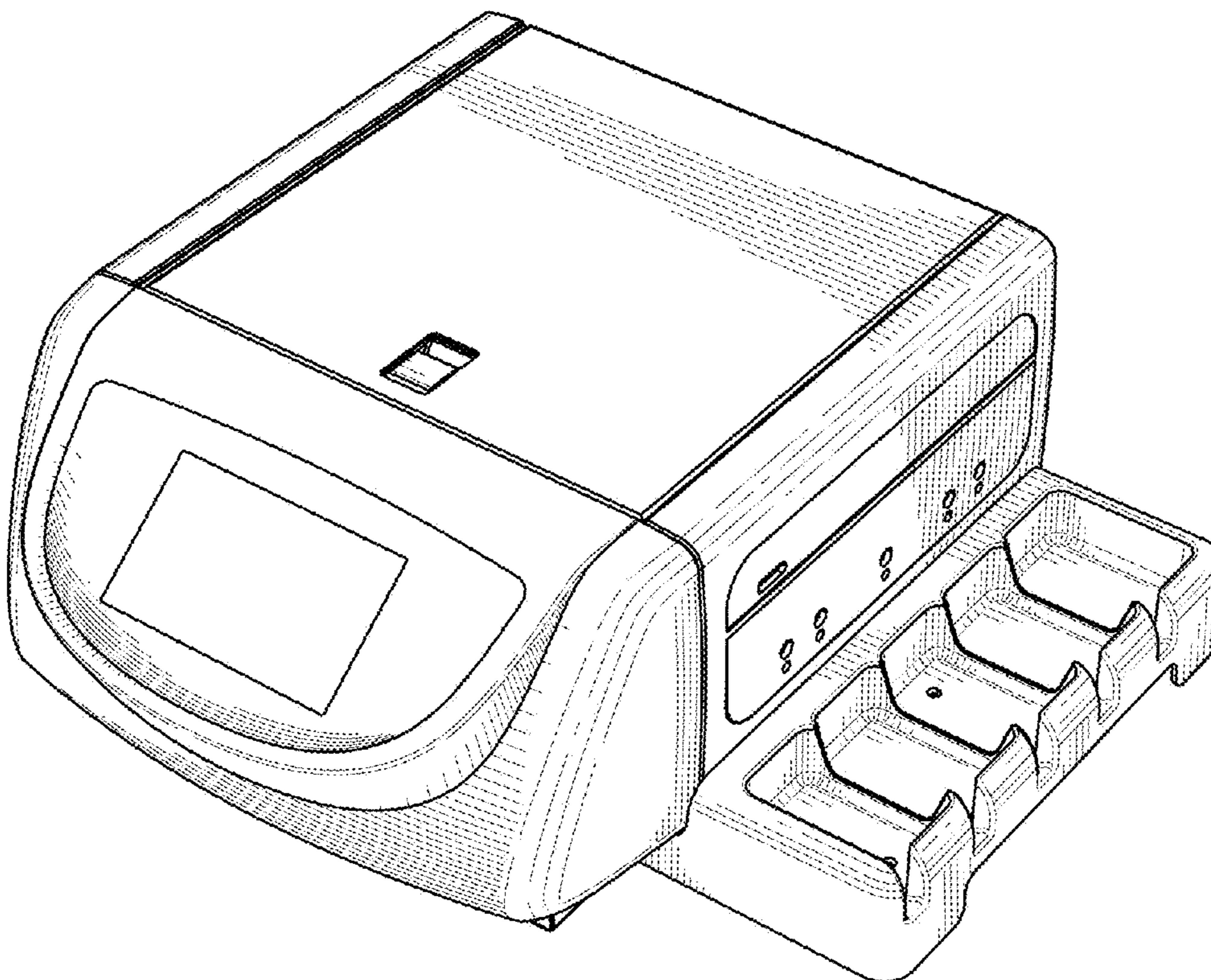


Figure 1

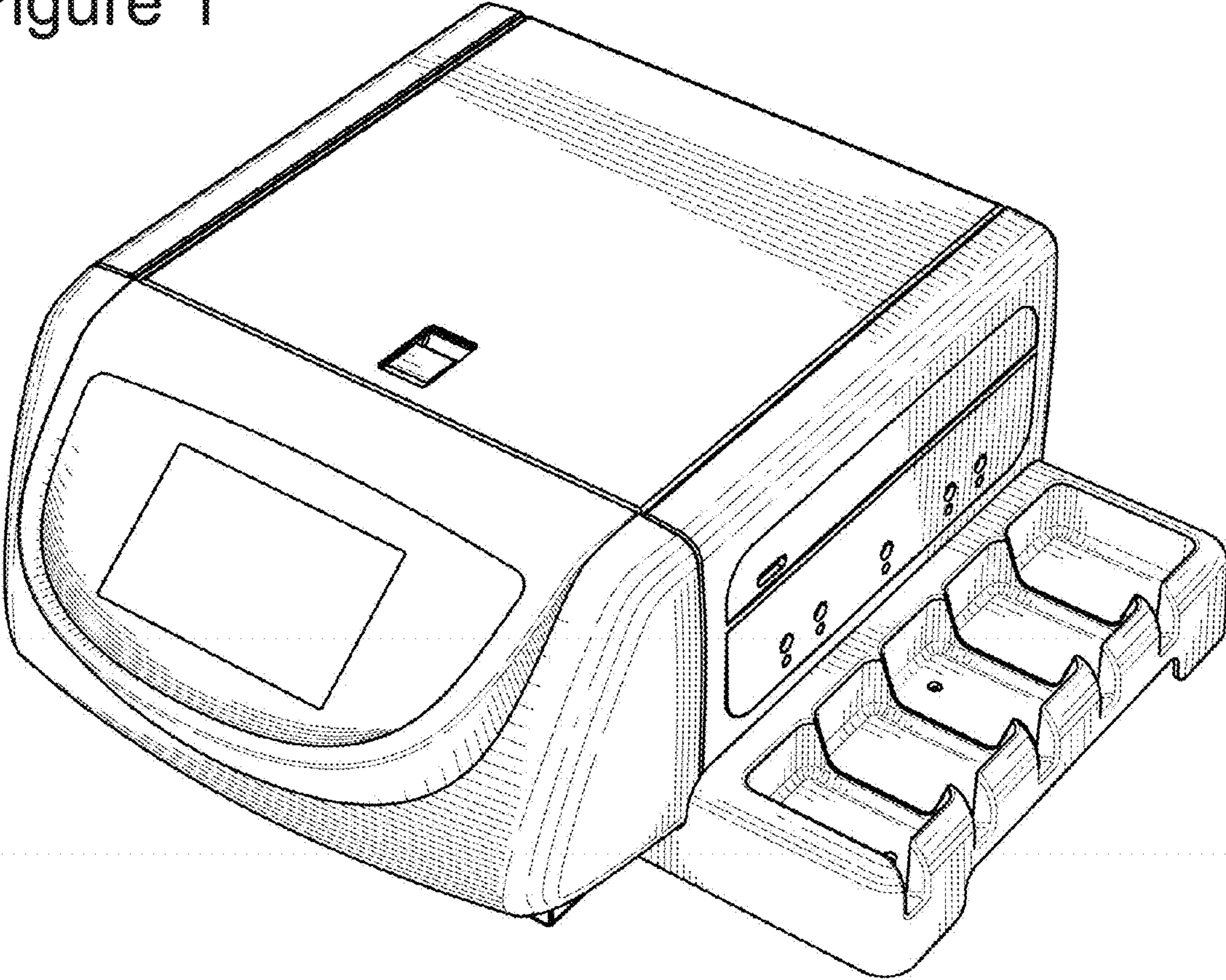


Figure 2

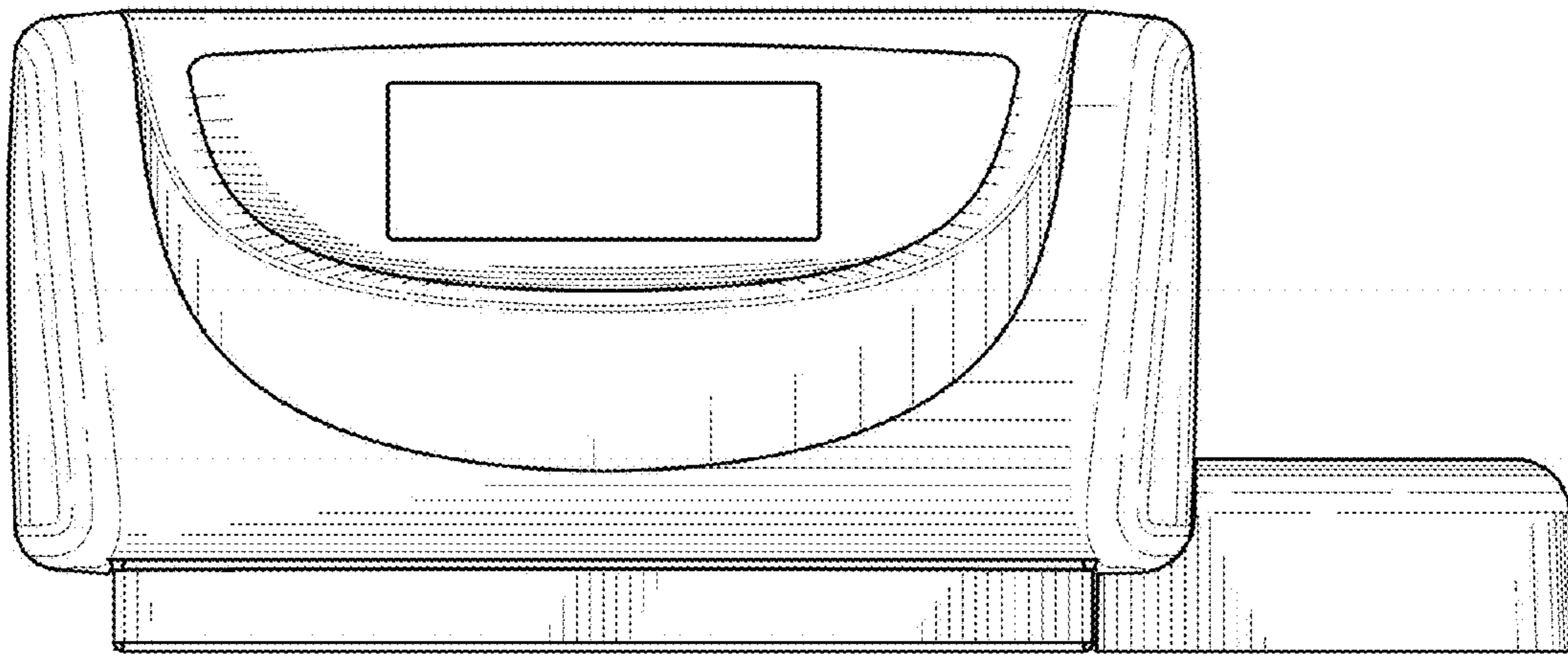


Figure 3

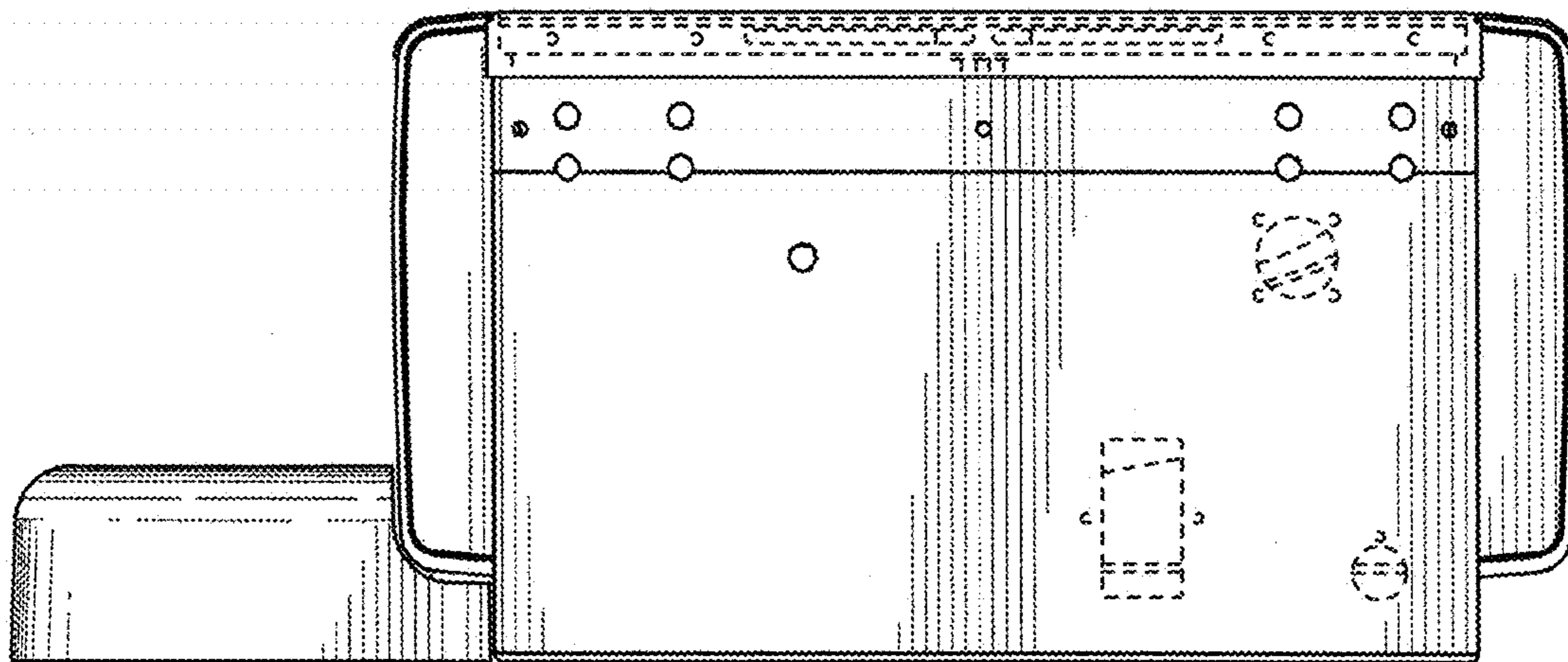


Figure 4

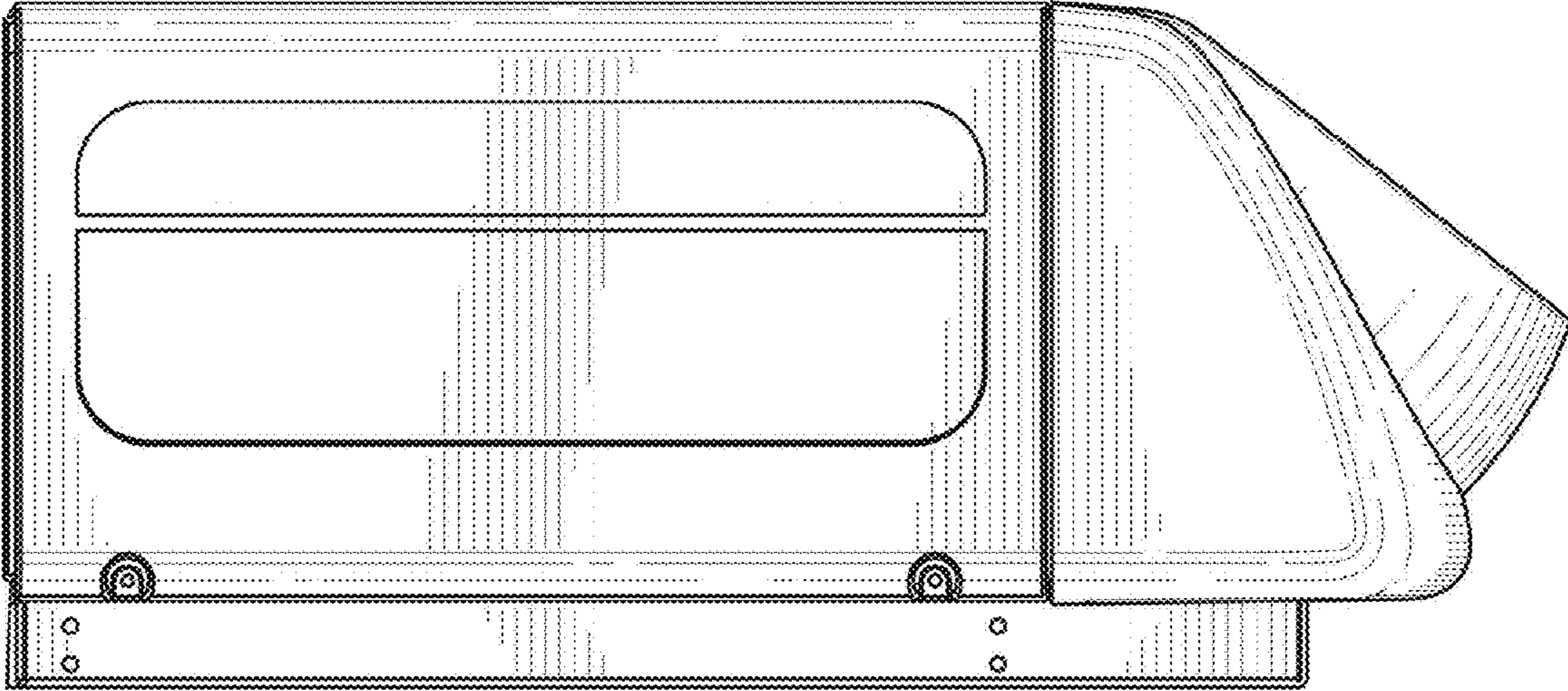
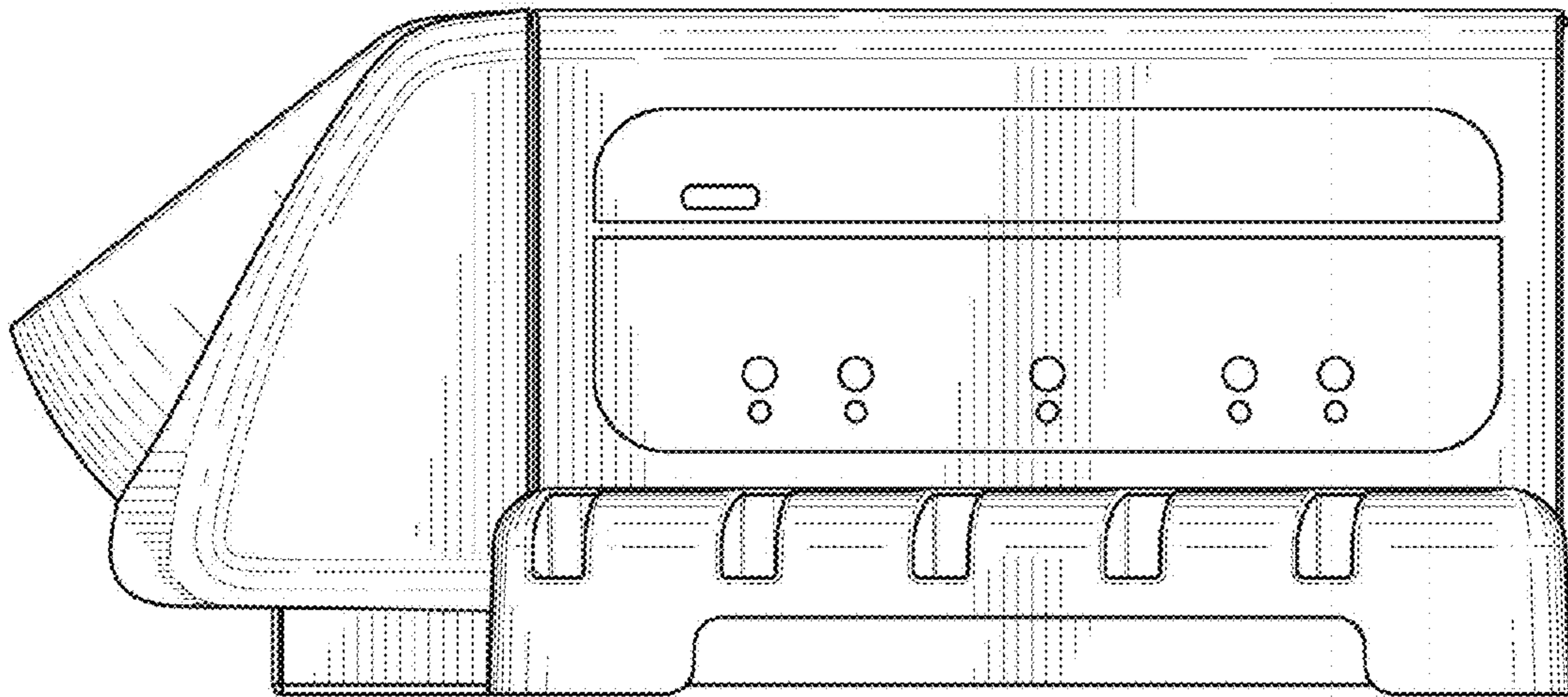


Figure 5



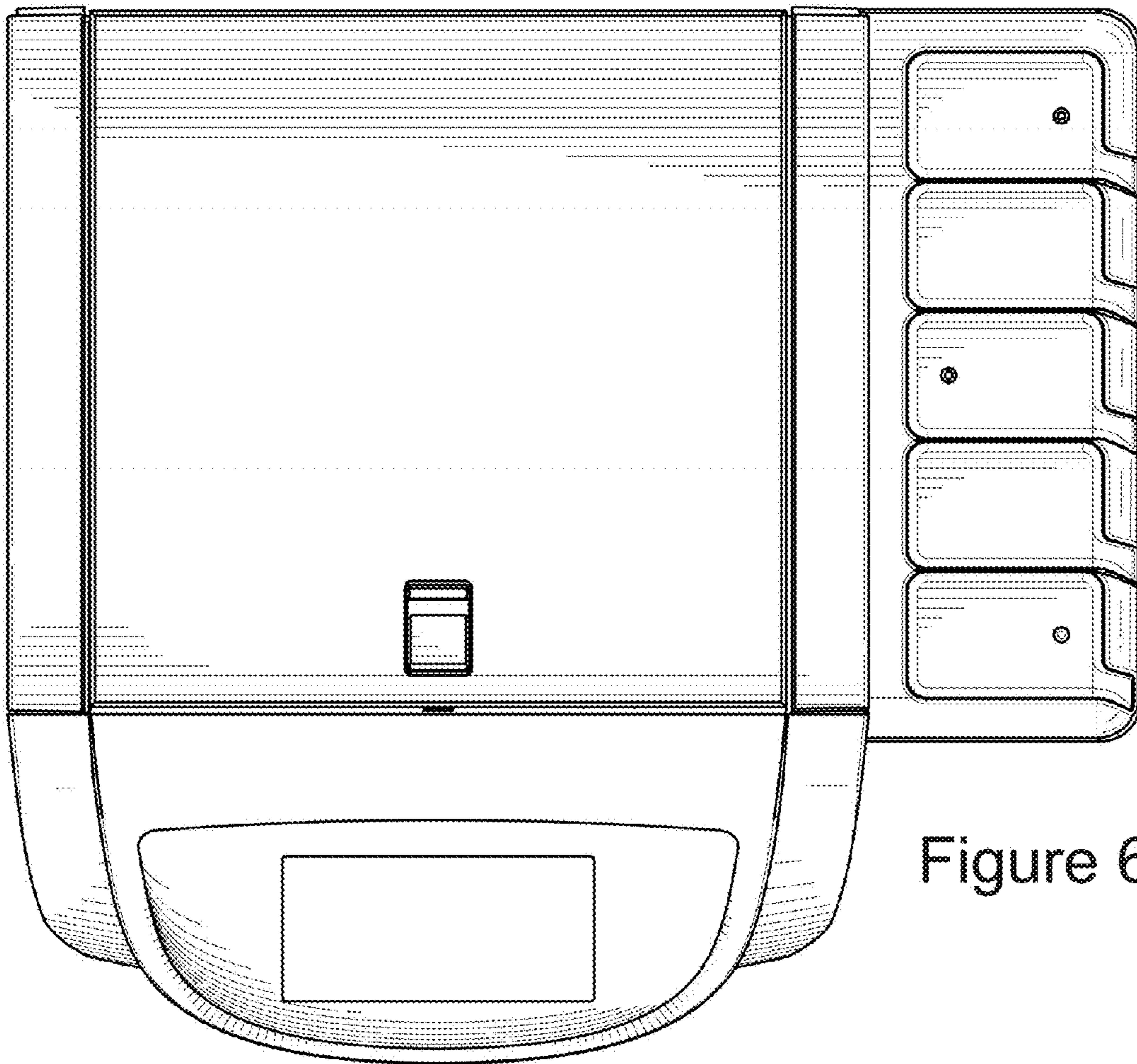


Figure 6

Figure 7

