



US00D707838S

(12) **United States Design Patent**
Zisser

(10) **Patent No.:** **US D707,838 S**
(45) **Date of Patent:** **** Jun. 24, 2014**

- (54) **LIGHT SOURCE WITH COUPLING ADAPTOR FOR AN ICE TIP**
- (71) Applicant: **Bio 'N Ice GmbH**, Berlin (DE)
- (72) Inventor: **Michael Zisser**, Berlin (DE)
- (73) Assignee: **Bio 'N Ice GmbH**, Berlin (DE)
- (**) Term: **14 Years**
- (21) Appl. No.: **29/435,402**
- (22) Filed: **Oct. 23, 2012**

4,848,936	A *	7/1989	Marie	384/454
D311,955	S *	11/1990	Lie	D24/211
D315,408	S *	3/1991	Duk	D24/211
D326,526	S *	5/1992	Bucher	D24/214
5,193,528	A *	3/1993	Iwamoto et al.	601/72
D348,934	S *	7/1994	Johnson et al.	D24/187
D349,347	S *	8/1994	Huen	D24/214
D351,660	S *	10/1994	Ichikawa et al.	D24/214
D371,200	S *	6/1996	Maurer et al.	D24/187
D374,084	S *	9/1996	Chen	D24/211
D388,878	S	1/1998	Darula		
D390,966	S	2/1998	Huang		
5,741,291	A	4/1998	Yoo		
5,782,858	A	7/1998	Cheng		

(Continued)

Related U.S. Application Data

- (63) Continuation-in-part of application No. 29/419,482, filed on Apr. 27, 2012, now abandoned.
- (51) **LOC (10) Cl.** **24-04**
- (52) **U.S. Cl.**
USPC **D24/206**
- (58) **Field of Classification Search**
CPC A61H 23/0263; A61H 7/00; A61H 7/005; A61H 7/007; A61H 2201/0207; A61H 2201/0153; A61H 15/0078; A61H 15/0092
USPC D24/200-213; 601/7, 15, 1; 401/28; D4/136
See application file for complete search history.

References Cited

U.S. PATENT DOCUMENTS

1,628,272	A *	5/1927	Reitz	601/18
2,104,429	A *	1/1938	Lipsner	601/118
D211,549	S *	6/1968	Christopher	D24/211
D262,360	S *	12/1981	Aslan et al.	D10/103
D266,272	S *	9/1982	Christensen et al.	D24/207
D268,524	S *	4/1983	D'Addio et al.	D24/211
4,572,165	A *	2/1986	Dodier	601/15
4,745,909	A *	5/1988	Pelton et al.	601/15
4,807,603	A *	2/1989	Yasui	601/121

FOREIGN PATENT DOCUMENTS

DE 102011111559 3/2012

Primary Examiner — Eric Goodman

Assistant Examiner — John Reickel

(74) *Attorney, Agent, or Firm* — Smartpat PLC; Axel Nix

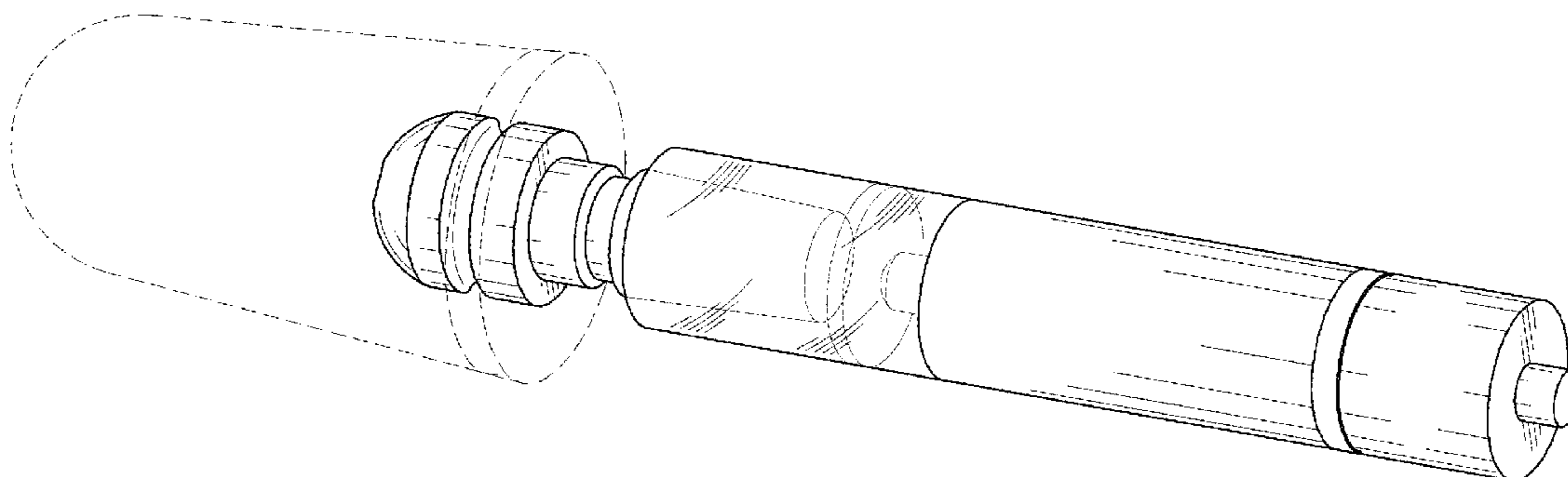
(57) **CLAIM**

I claim the ornamental design for a light source with coupling adaptor for an ice tip, as shown and described.

DESCRIPTION

FIG. 1 is a perspective view of a light source with coupling adaptor for an ice tip showing my new design;
 FIG. 2 is a perspective view thereof, showing my design in use;
 FIG. 3 is a left side view thereof, the right side view, top view, and bottom view being identical;
 FIG. 4 is a front view thereof; and,
 FIG. 5 is a rear view thereof.
 The broken line showing of an ice tip in FIG. 2 is for the purpose of illustrating environmental structure and forms no part of the claimed design.

1 Claim, 2 Drawing Sheets



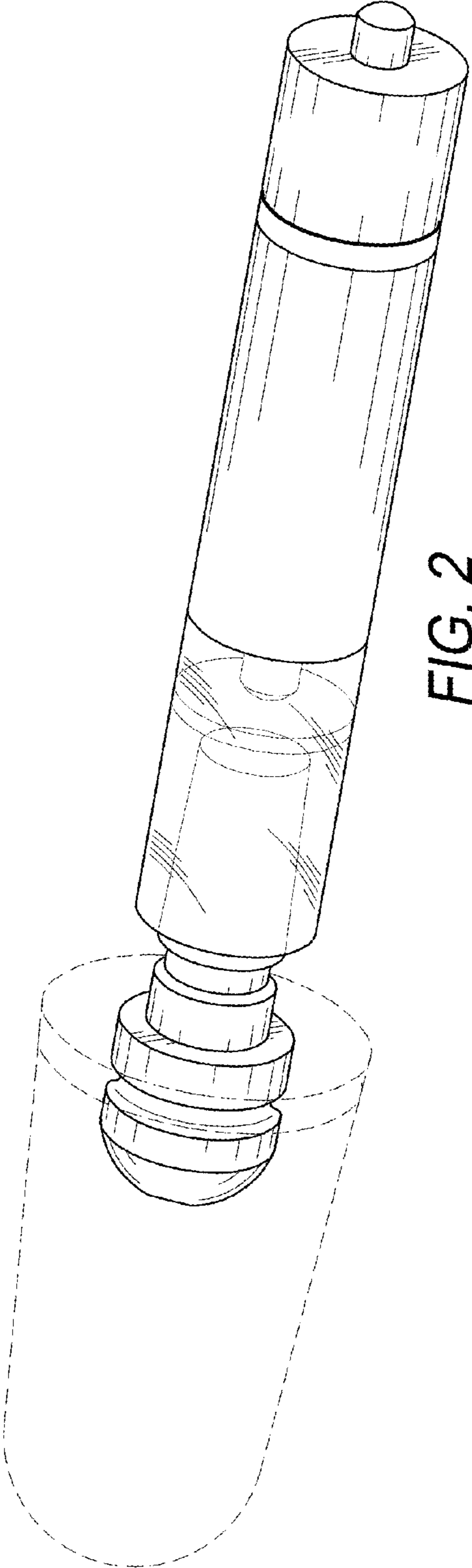
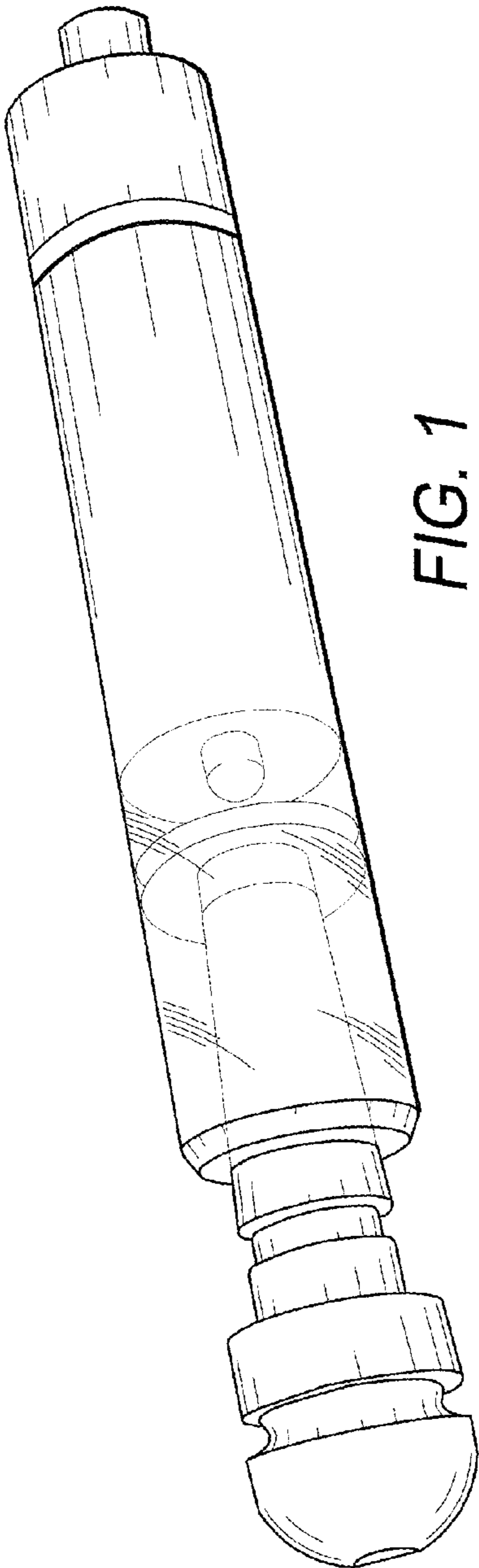
(56)

References Cited

U.S. PATENT DOCUMENTS

D415,835 S *	10/1999	Malewicz	D24/187	7,678,066 B2 *	3/2010	Habatjou	601/15
D426,311 S	6/2000	Horowitz et al.			D615,419 S *	5/2010	Owen	D9/726
D429,819 S	8/2000	Coolidge			D616,992 S *	6/2010	Kitayama	D24/186
6,293,963 B1	9/2001	Wey			D633,625 S *	3/2011	Maderazzo	D24/200
6,556,869 B1	4/2003	Leonard et al.			D658,305 S *	4/2012	Playford	D24/209
D481,132 S *	10/2003	Kim	D24/200	D659,843 S *	5/2012	Wang	D24/200
6,635,075 B2	10/2003	Li et al.			8,201,563 B2	6/2012	Conquergood et al.		
6,684,107 B1	1/2004	Binder			2005/0209537 A1 *	9/2005	Gleason et al.	601/15
D499,841 S	12/2004	Angeletta			2006/0041209 A1 *	2/2006	Ko	601/15
D519,214 S	4/2006	Lansohn			2008/0214968 A1 *	9/2008	Milne et al.	601/15
D550,363 S *	9/2007	Hannant et al.	D24/186	2008/0262394 A1 *	10/2008	Pryor et al.	601/15
D554,267 S *	10/2007	Cohen	D24/187	2010/0274162 A1 *	10/2010	Evans	601/15
					2012/0065555 A1 *	3/2012	Chae et al.	601/18
					2013/0101340 A1 *	4/2013	Liu	401/208

* cited by examiner



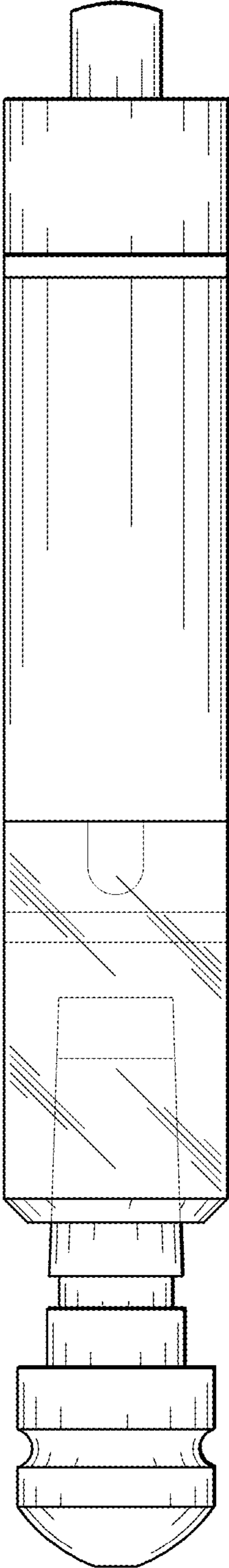


FIG. 3

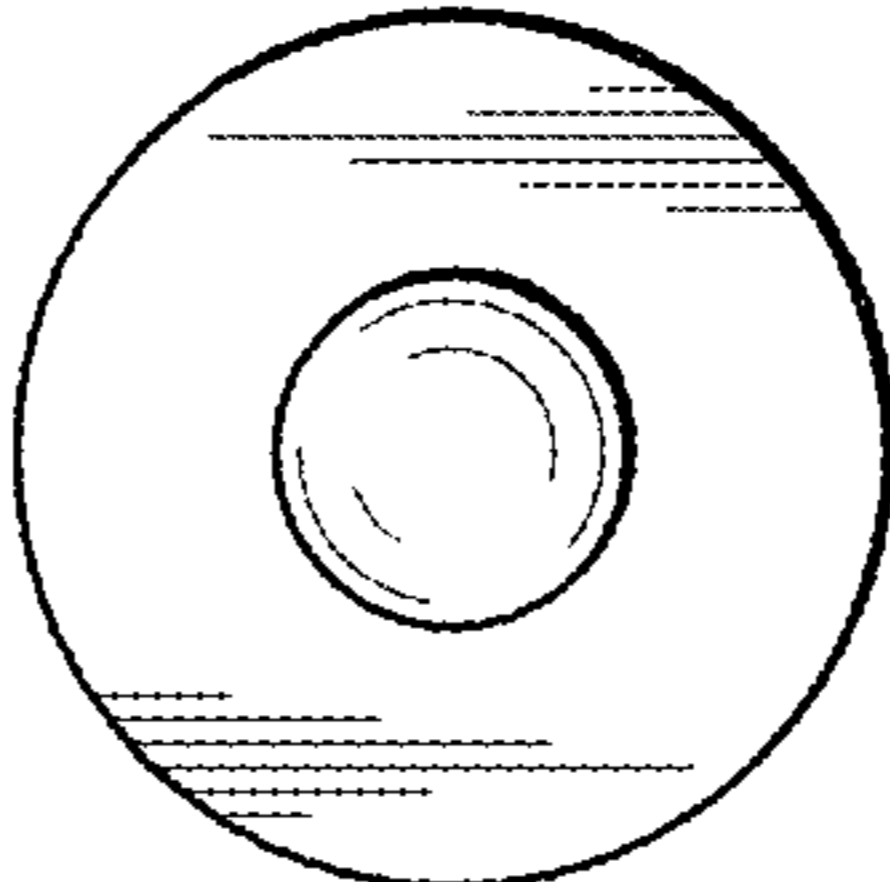


FIG. 5

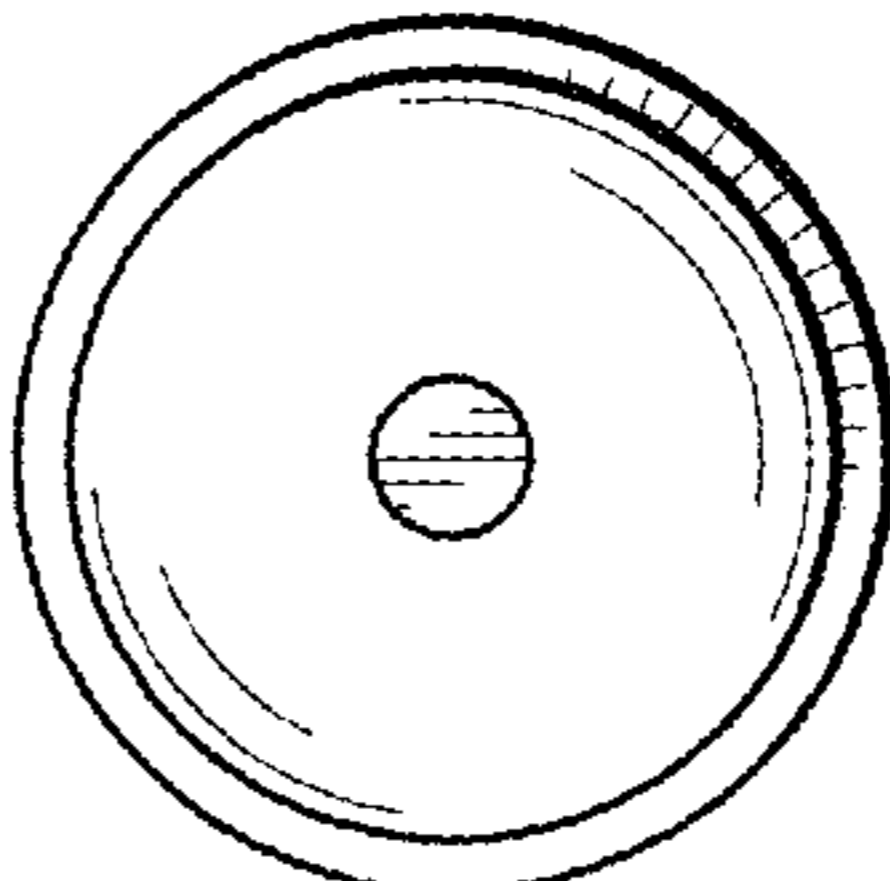


FIG. 4