



US00D707835S

(12) **United States Design Patent**
Domoto

(10) **Patent No.:** **US D707,835 S**
(45) **Date of Patent:** **** Jun. 24, 2014**

(54) **ELECTRIC SCALP MASSAGER**

(75) Inventor: **Kana Domoto**, Tokyo (JP)

(73) Assignee: **Panasonic Corporation**, Kadoma-shi,
Osaka (JP)

(**) Term: **14 Years**

(21) Appl. No.: **29/417,469**

(22) Filed: **Apr. 4, 2012**

(30) **Foreign Application Priority Data**

Oct. 26, 2011 (JP) 2011-024623

(51) **LOC (10) Cl.** **24-01**

(52) **U.S. Cl.**
USPC **D24/200**

(58) **Field of Classification Search**
CPC . A61H 2205/021; A61H 7/003; A61H 7/006;
A61N 7/00; A61N 7/02
USPC D24/200-213; 601/7, 154-155; 401/28;
D4/136
See application file for complete search history.

(56) **References Cited**

U.S. PATENT DOCUMENTS

946,837	A *	1/1910	Common	601/154
D42,121	S *	1/1912	Thompson	D24/211
D42,435	S *	4/1912	Erskine	D24/211
D46,240	S *	8/1914	Williams	D24/211
1,595,327	A *	8/1926	Van Sant	601/154
1,713,756	A *	5/1929	Hassler	601/138
1,722,706	A *	7/1929	Richardson	601/154
1,819,628	A *	8/1931	Van Sant	601/154
1,944,091	A *	1/1934	Lutz	601/7
D140,384	S *	2/1945	Latshaw	D24/211
2,379,330	A *	6/1945	Wilensky	401/28
D145,626	S *	9/1946	Kahn	D24/211

(Continued)

Primary Examiner — Eric Goodman
Assistant Examiner — John Reickel

(74) *Attorney, Agent, or Firm* — Marvin A. Motsenbocker;
Mots Law, PLLC

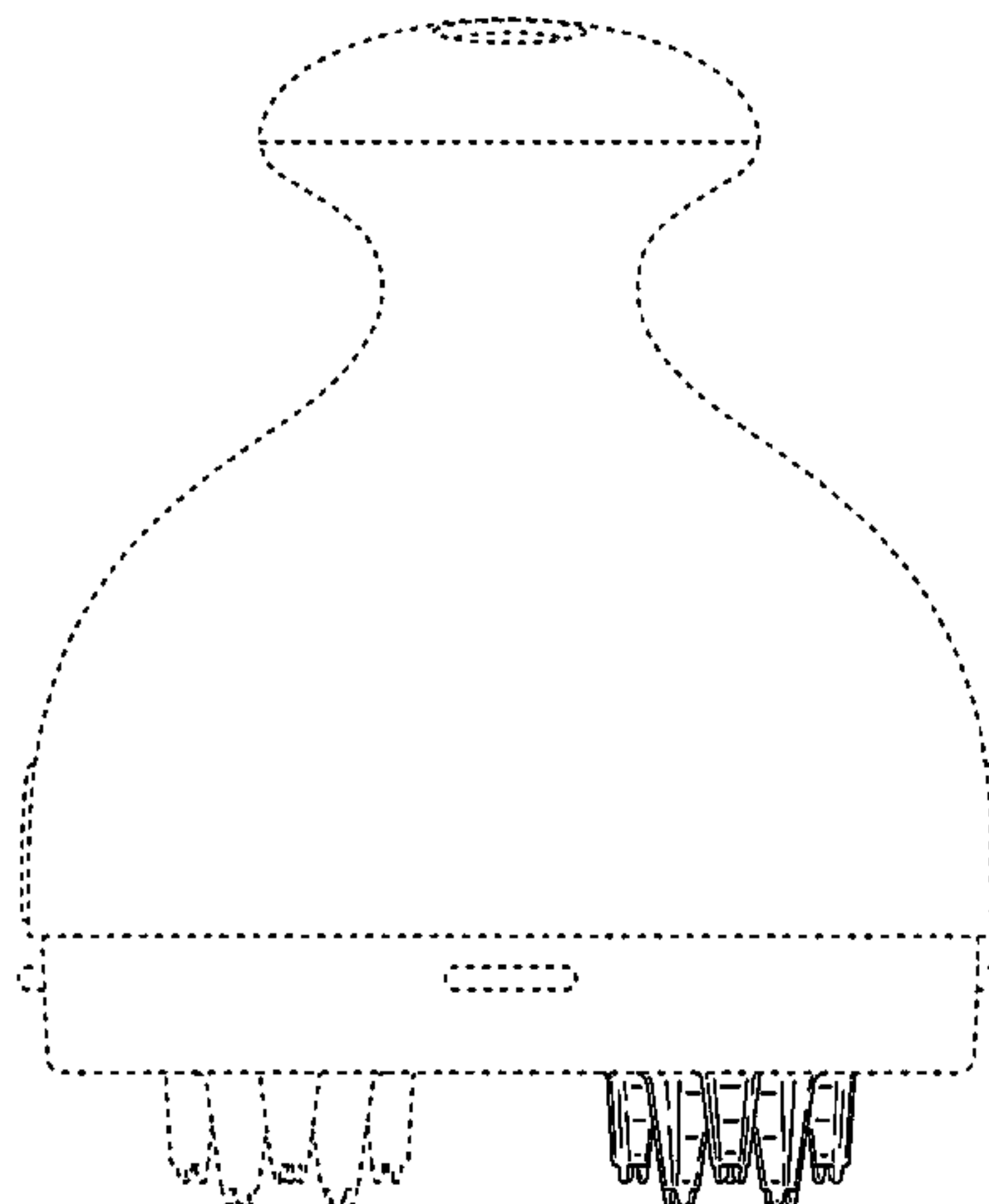
(57) **CLAIM**

The ornamental design for an electric scalp massager, as shown and described.

DESCRIPTION

FIG. 1 is a front perspective view of an electric scalp massager;
 FIG. 2 is a front view thereof;
 FIG. 3 is a right side view thereof;
 FIG. 4 is a top plan view thereof;
 FIG. 5 is a rear view thereof;
 FIG. 6 is a bottom plan view thereof;
 FIG. 7 is a sectional view thereof taken along line 7-7 in FIG. 6, in which the internal components are omitted;
 FIG. 8 is a front view thereof without a tray;
 FIG. 9 is a right side view thereof;
 FIG. 10 is a rear view thereof;
 FIG. 11 is a left side view thereof;
 FIG. 12 is a bottom plan view thereof;
 FIG. 13 is a sectional view thereof taken along line 13-13 in FIG. 12, in which the internal components are omitted; and,
 FIG. 14 is a sectional view thereof taken along line 14-14 in FIG. 12, in which the internal components are omitted.
 Broken line is included for the purpose of illustrating portions of the article and forms no part of the claimed design.
 A left side view of the electric scalp massager is a mirror image of the right side view shown in FIG. 3, and therefore omitted.
 The tray is omitted from the disclosure in FIGS. 8 to 14 for convenience of illustration.
 The long-dash-short-dash line in figures indicates the boundary between claimed portions and unclaimed portions.

1 Claim, 14 Drawing Sheets



(56)

References Cited

U.S. PATENT DOCUMENTS

2,441,682 A * 5/1948 Wybrants 601/81
 2,480,023 A * 8/1949 Holden 401/28
 2,480,097 A * 8/1949 Holden 601/155
 2,513,772 A * 7/1950 Amer 601/155
 2,655,147 A * 10/1953 Rohrer 601/7
 2,914,065 A * 11/1959 Cory 601/85
 2,944,273 A * 7/1960 Harris 15/105
 D190,896 S * 7/1961 Gerson D24/211
 D204,581 S * 4/1966 Coulson D24/211
 D245,856 S * 9/1977 Grube D23/223
 D245,857 S * 9/1977 Grube D23/223
 D272,092 S * 1/1984 Masuda D24/211

D272,235 S * 1/1984 Orlando D9/436
 D280,664 S * 9/1985 Ishida D24/211
 D321,434 S * 11/1991 Strickler D4/136
 D342,319 S * 12/1993 Cheng D24/214
 D344,137 S * 2/1994 Yoo D24/200
 D406,676 S * 3/1999 Henry D28/7
 D438,978 S * 3/2001 Conwell D24/214
 6,899,292 B2 * 5/2005 Titinet 239/548
 D514,328 S * 2/2006 Huang D4/121
 D632,487 S * 2/2011 Watanabe et al. D4/136
 D633,217 S * 2/2011 Robertson et al. D24/215
 D656,819 S * 4/2012 Porter et al. D9/436
 2005/0043656 A1 * 2/2005 Lacey 601/72
 2013/0094892 A1 * 4/2013 Spadaro 401/28

* cited by examiner

Fig.1

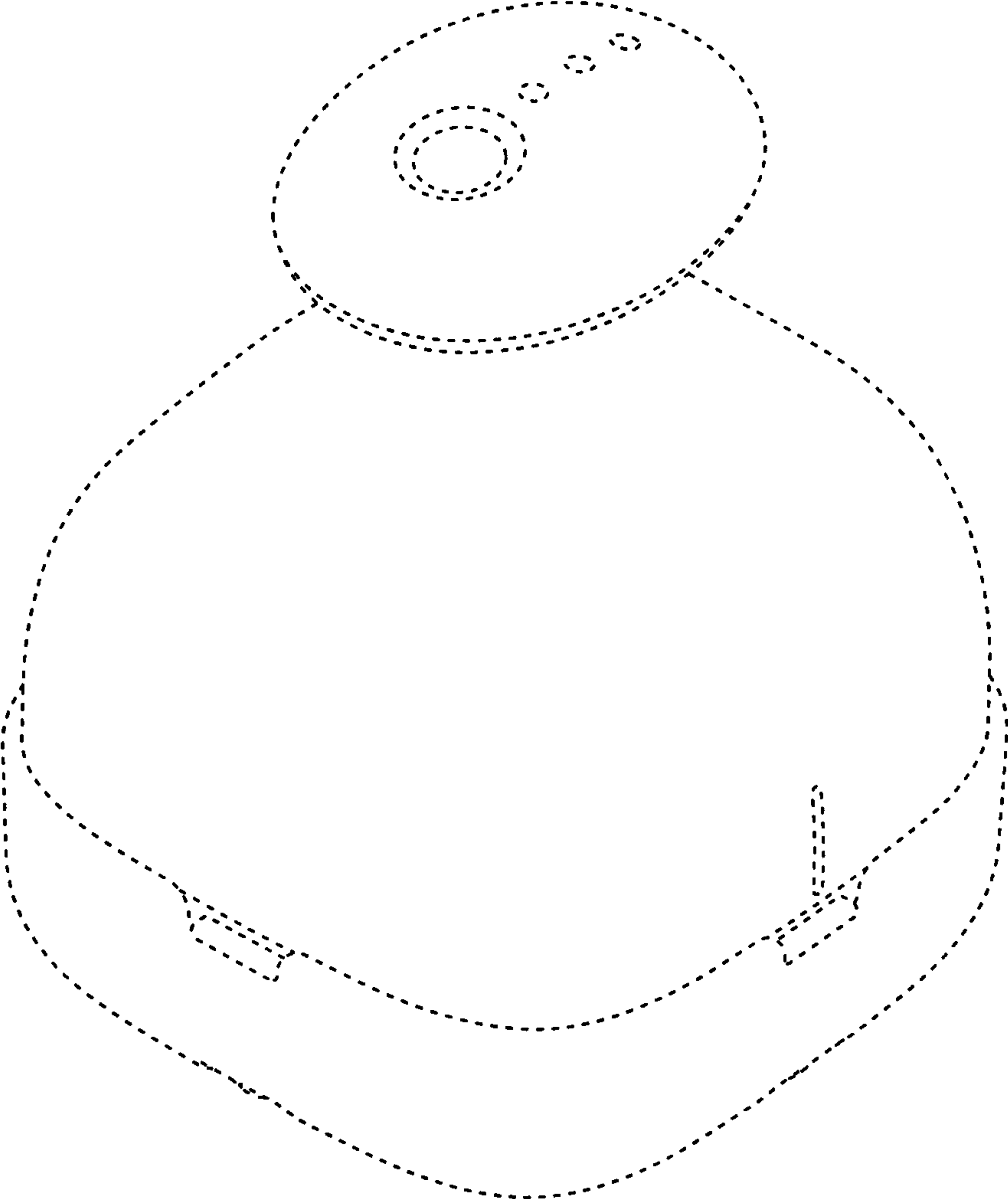


Fig.2

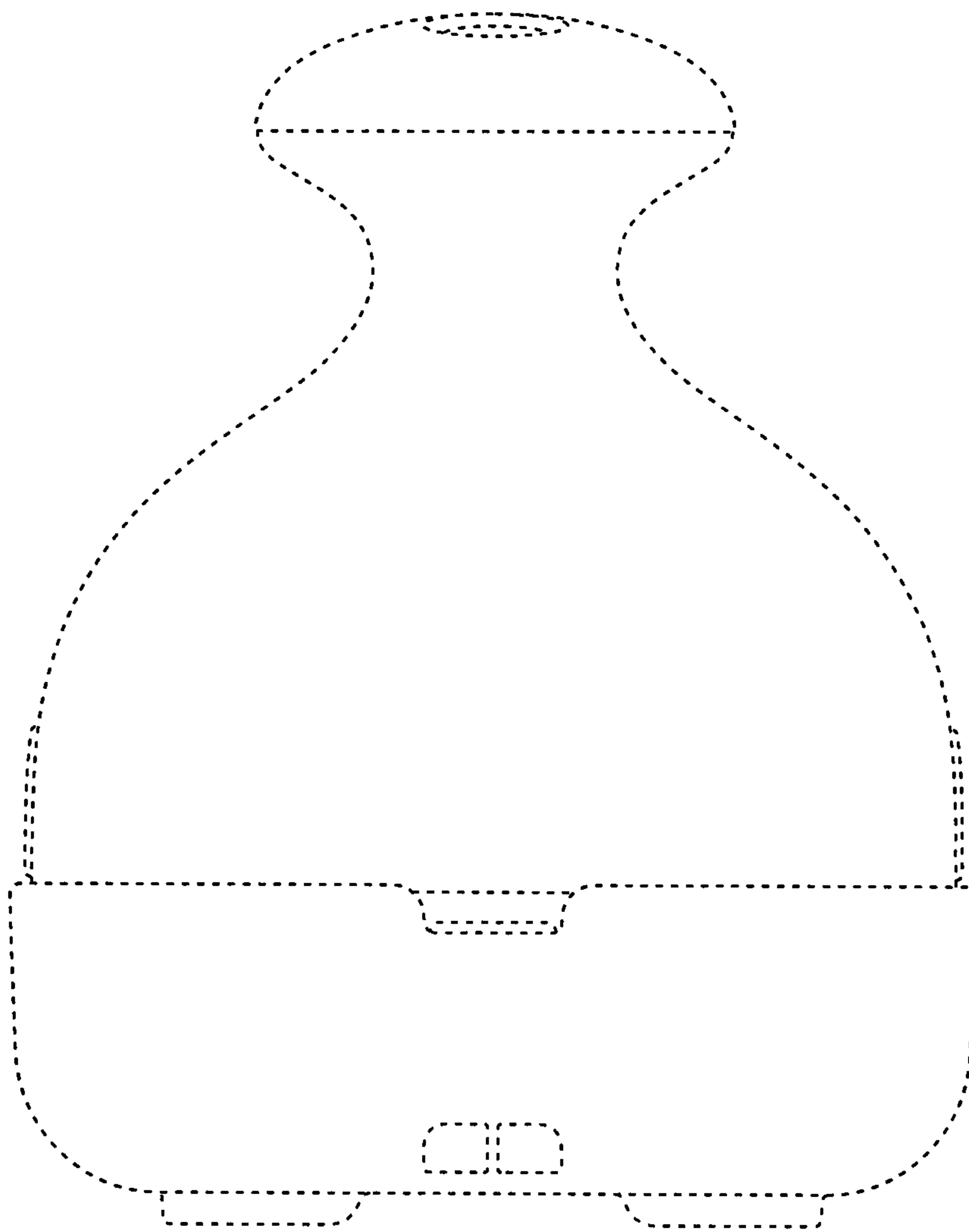


Fig.3

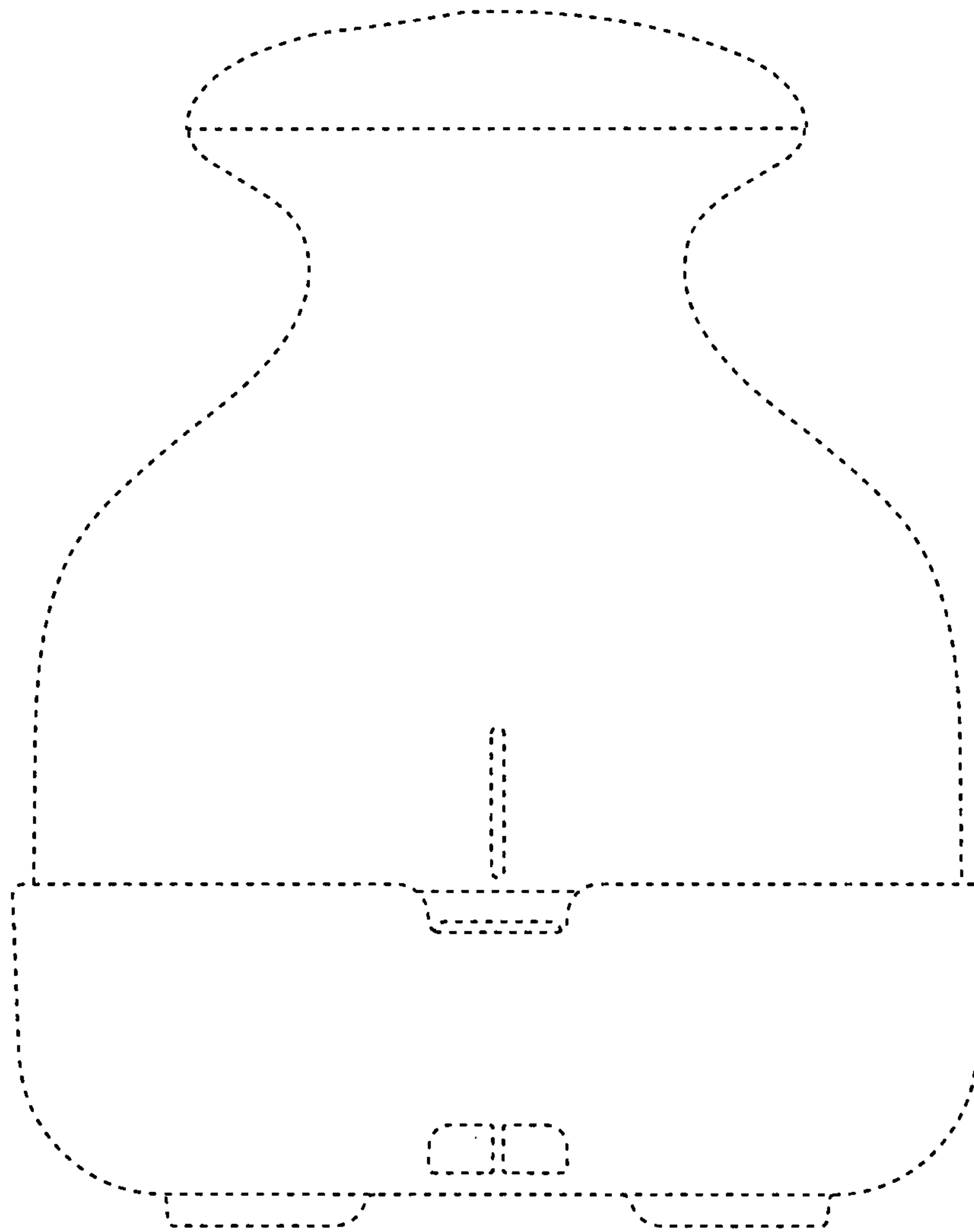


Fig.4

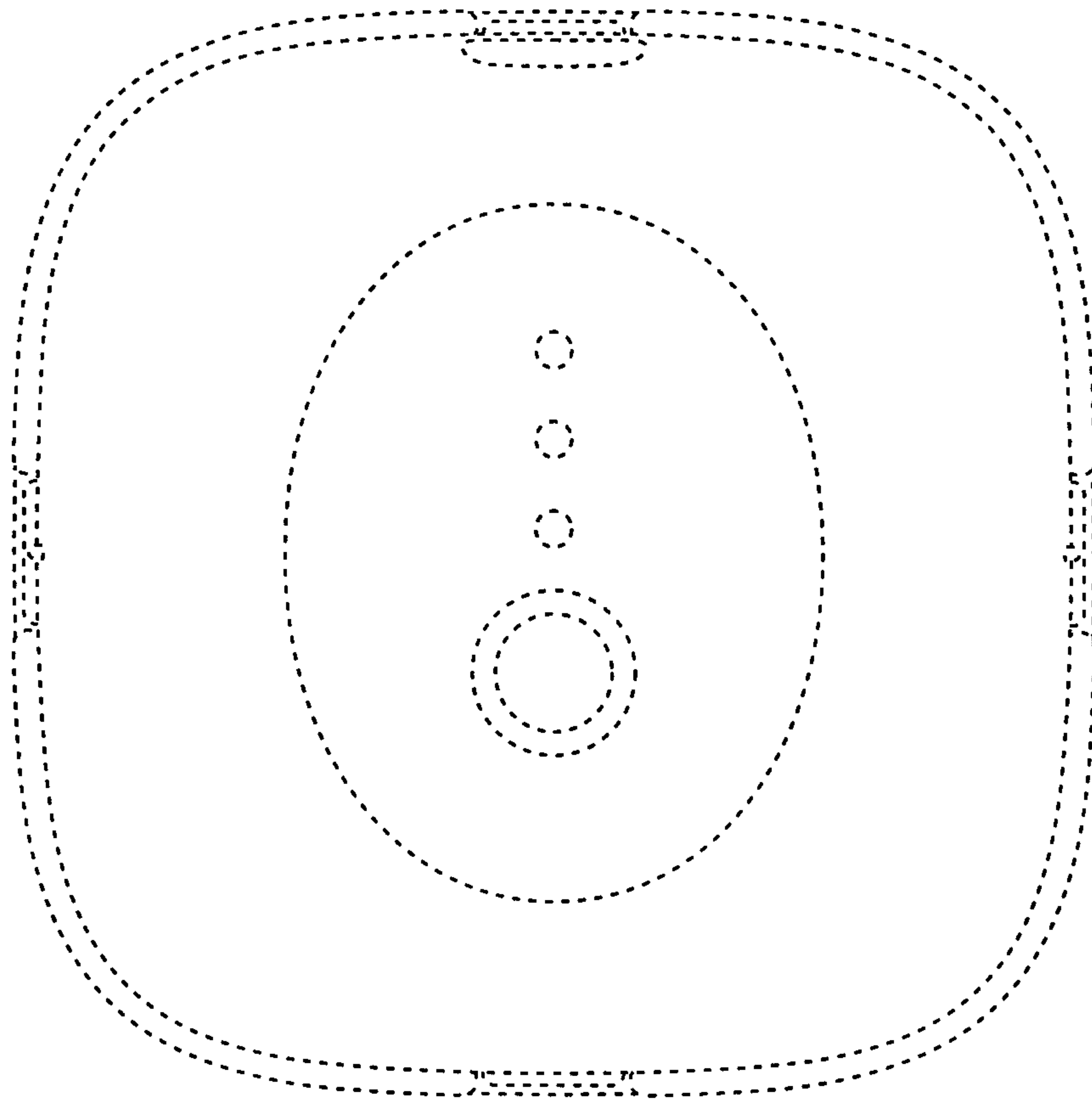


Fig.5

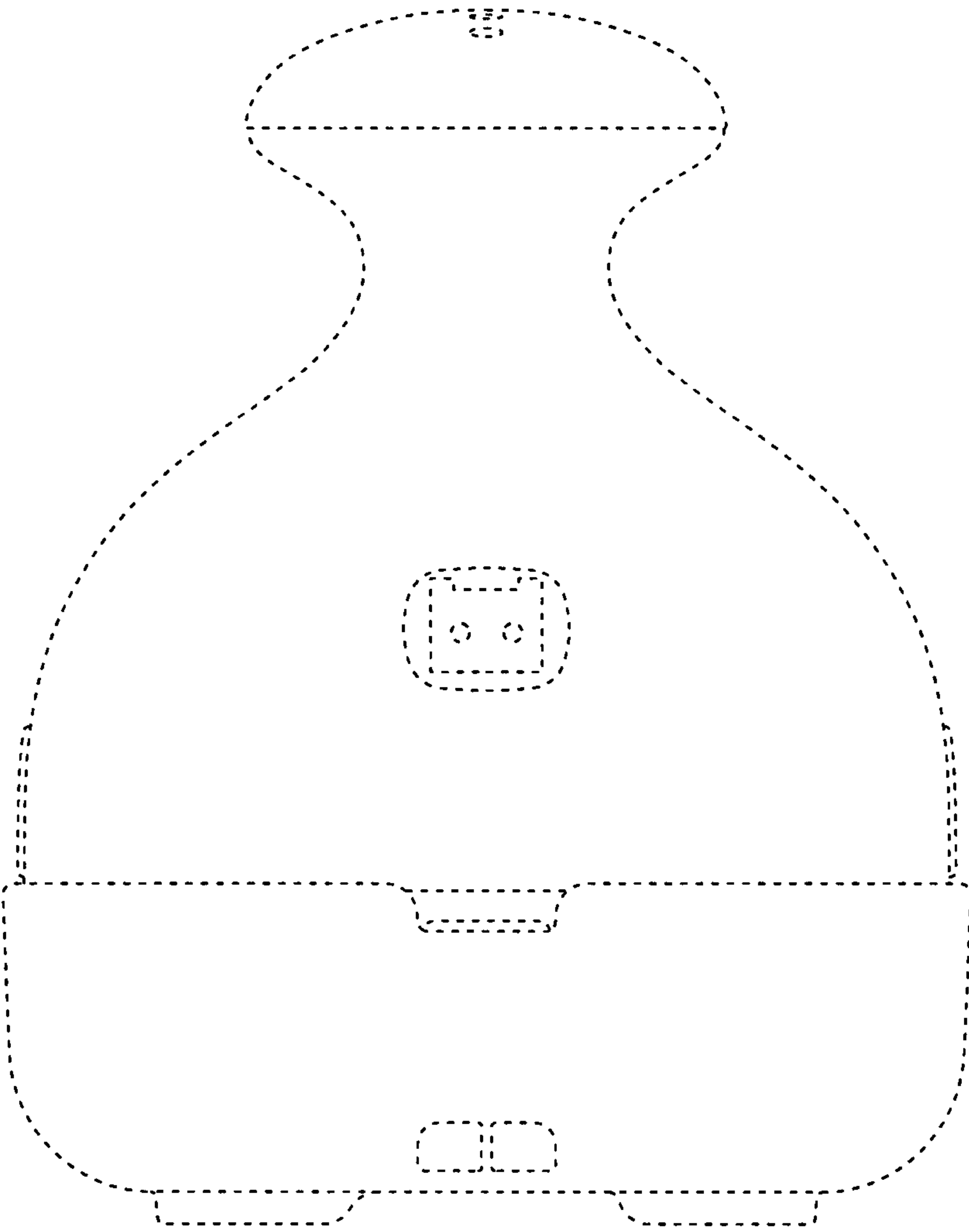


Fig.6

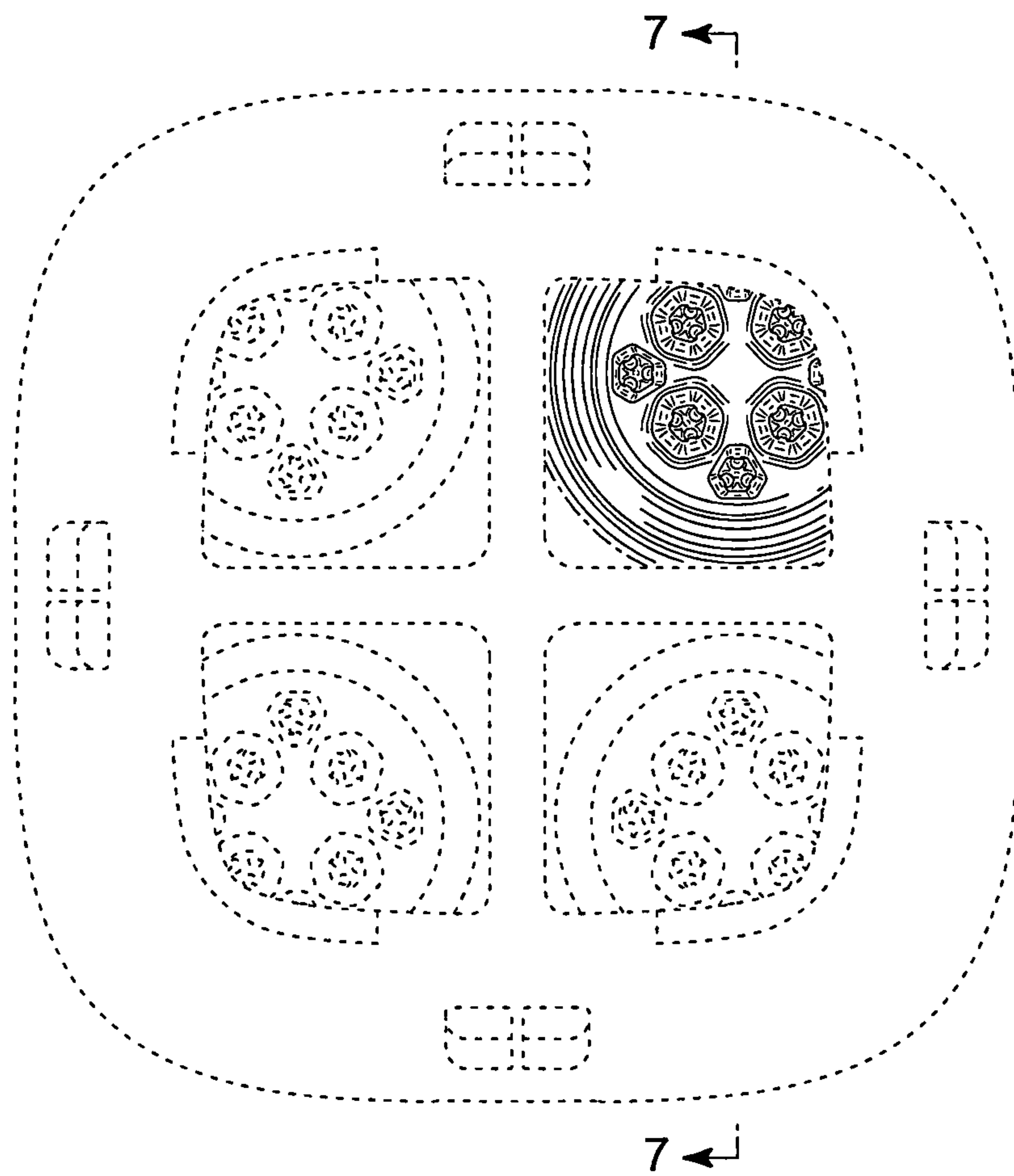


Fig.7

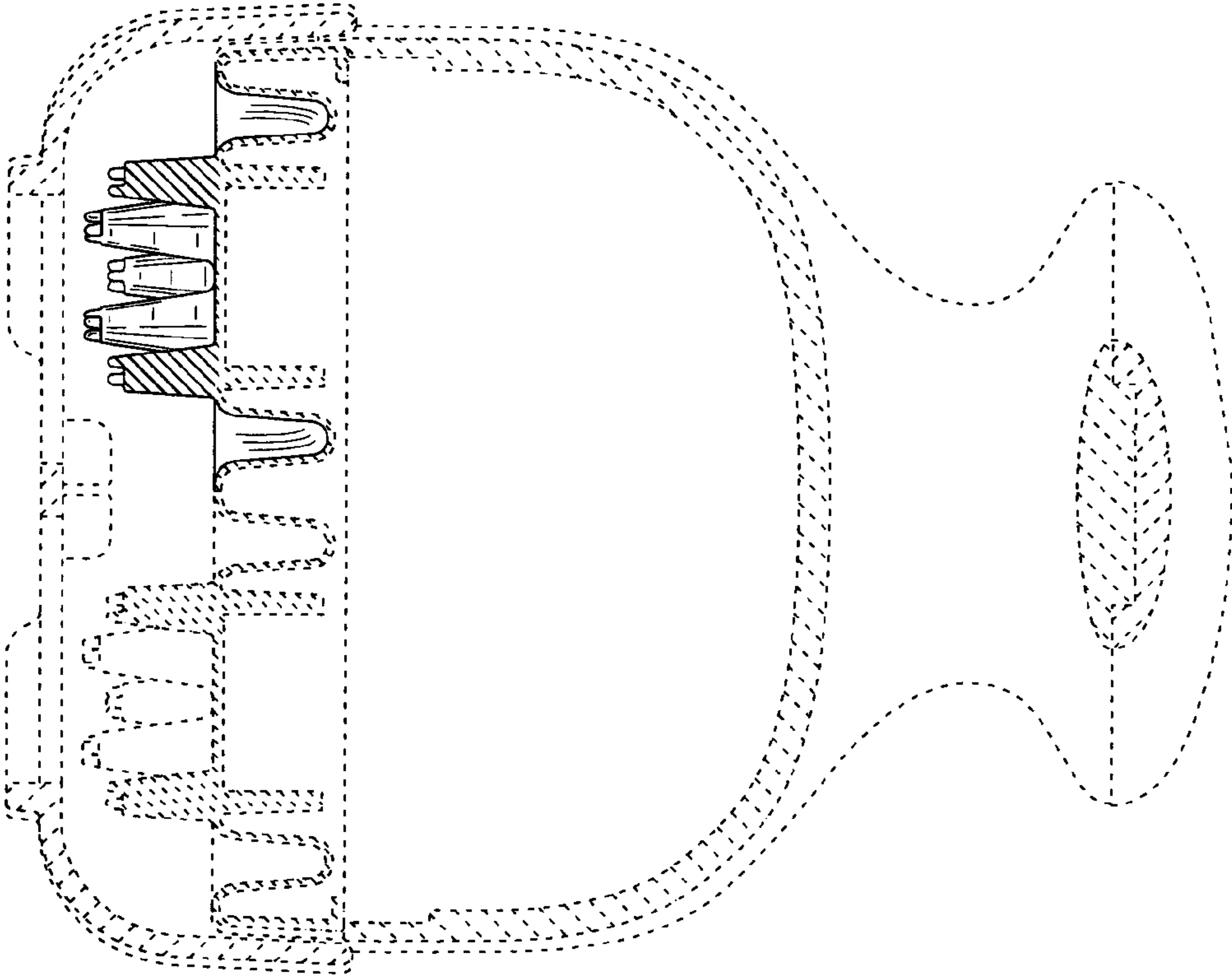


Fig.8

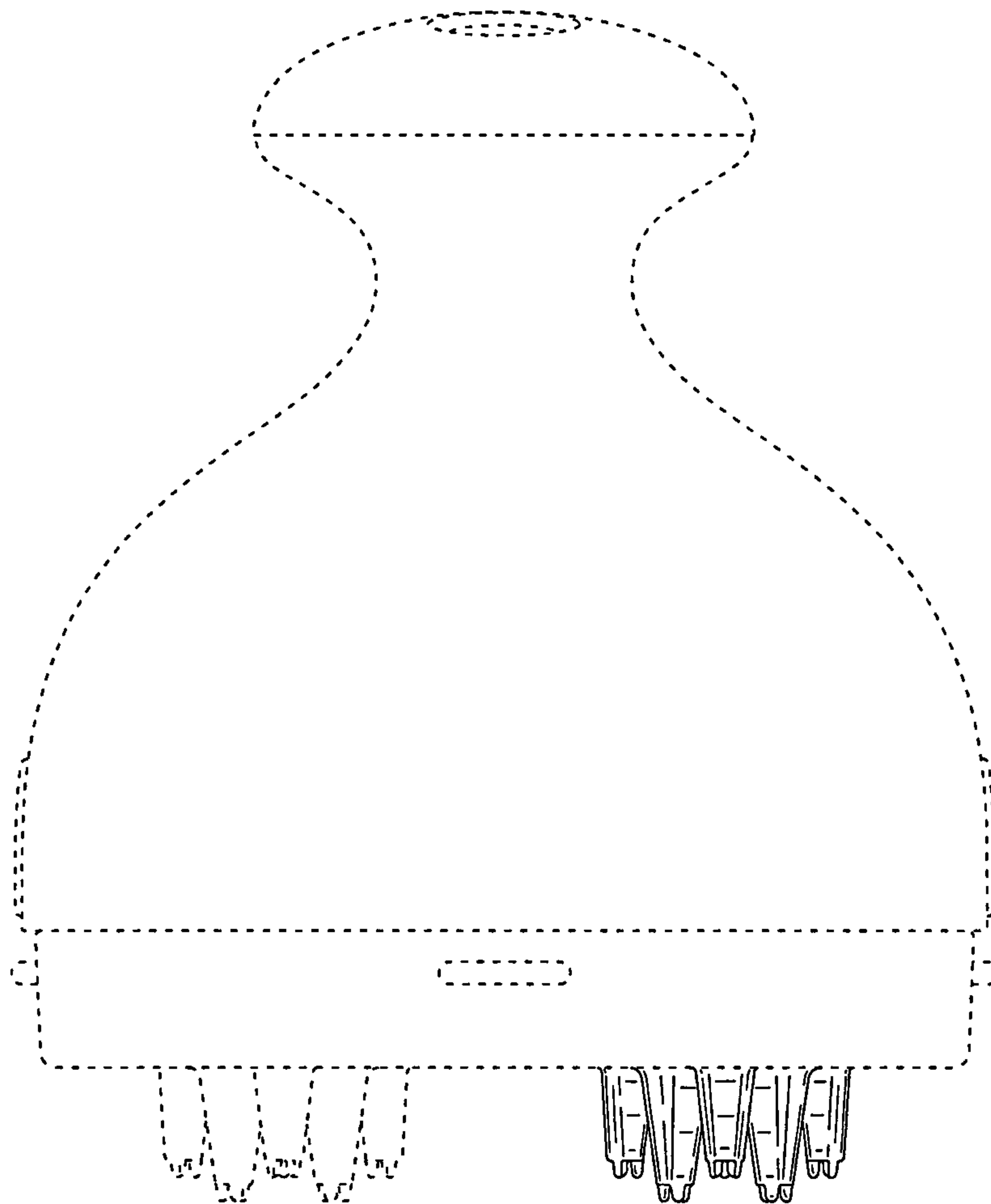


Fig.9

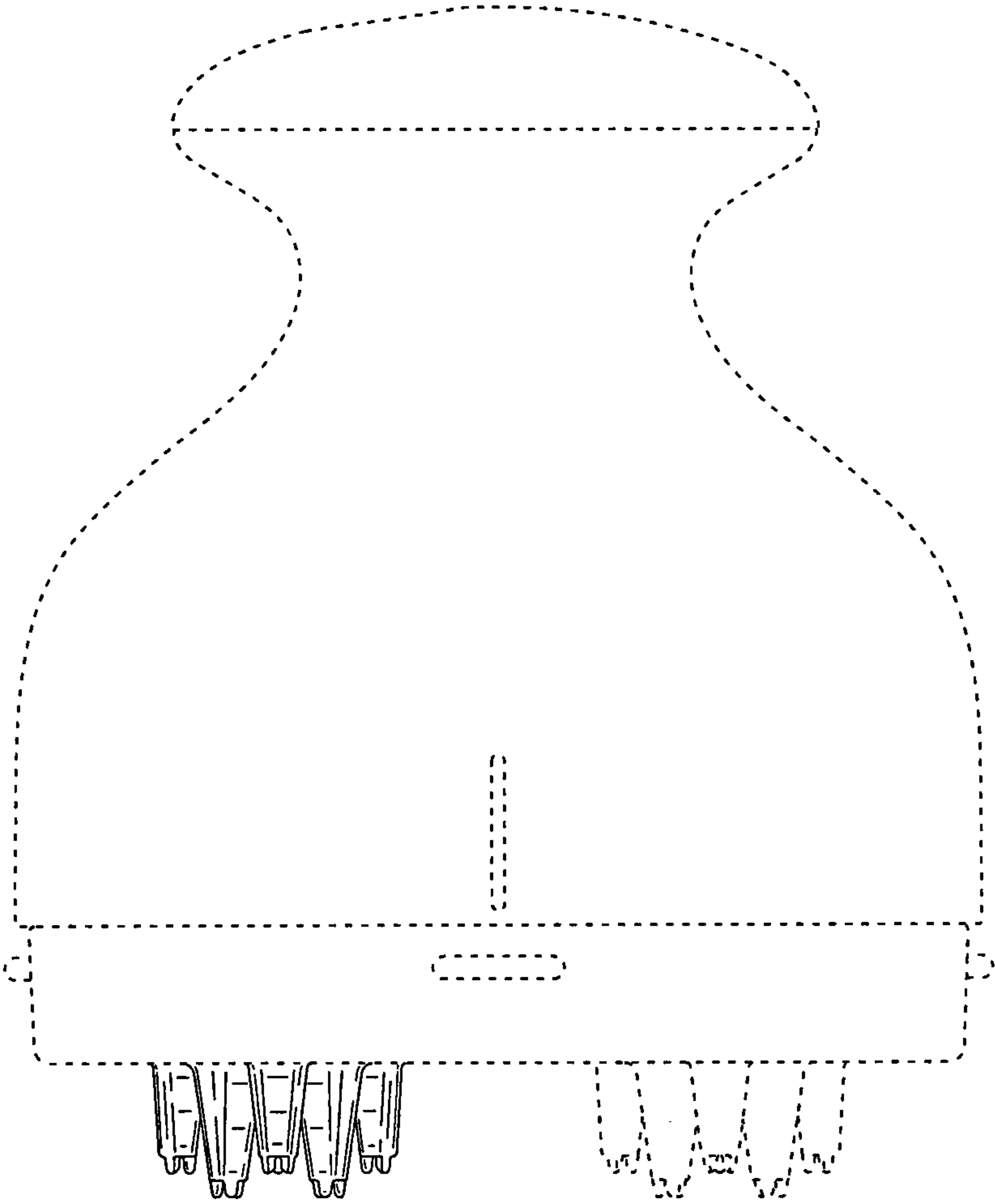


Fig.10

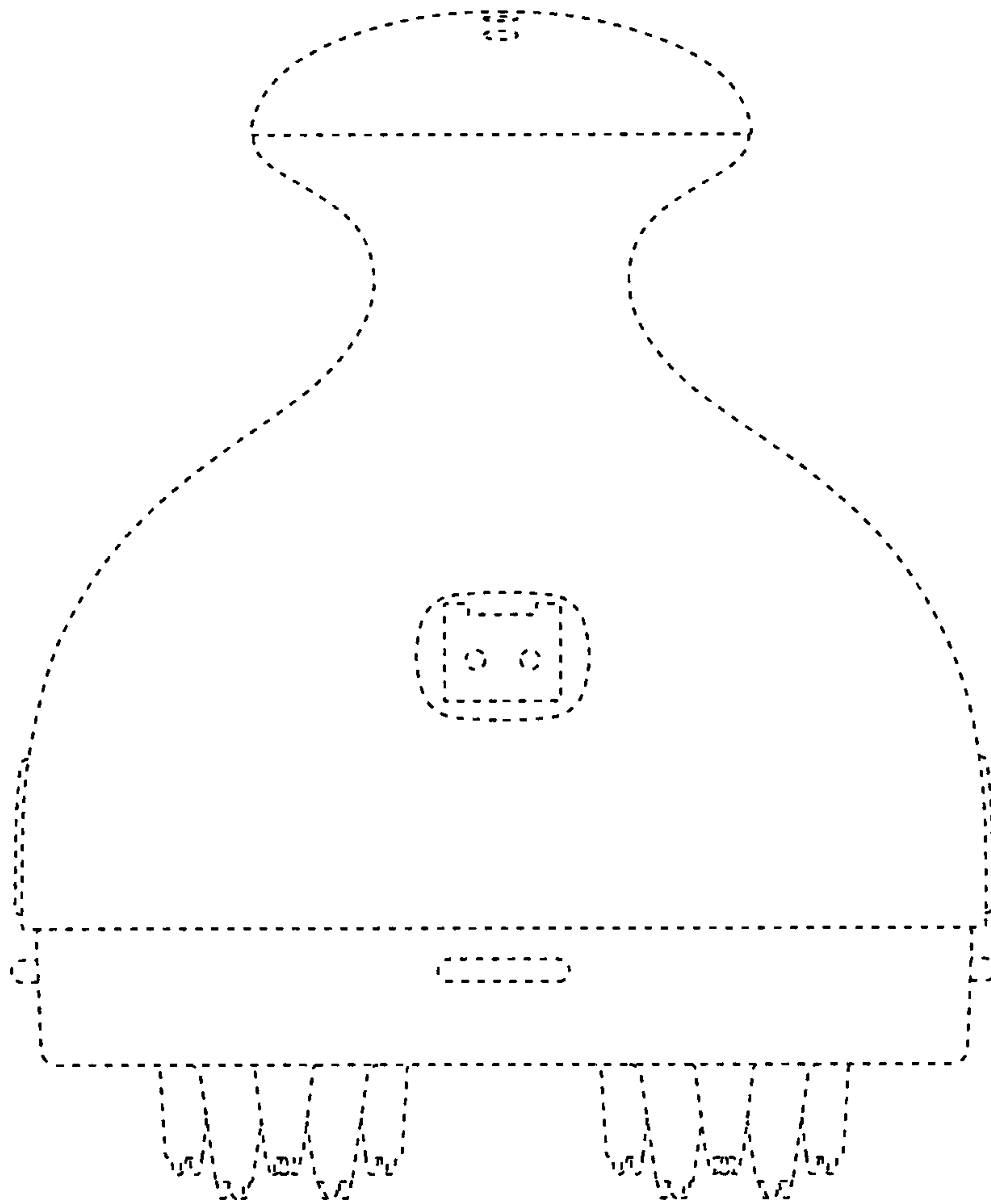


Fig.11

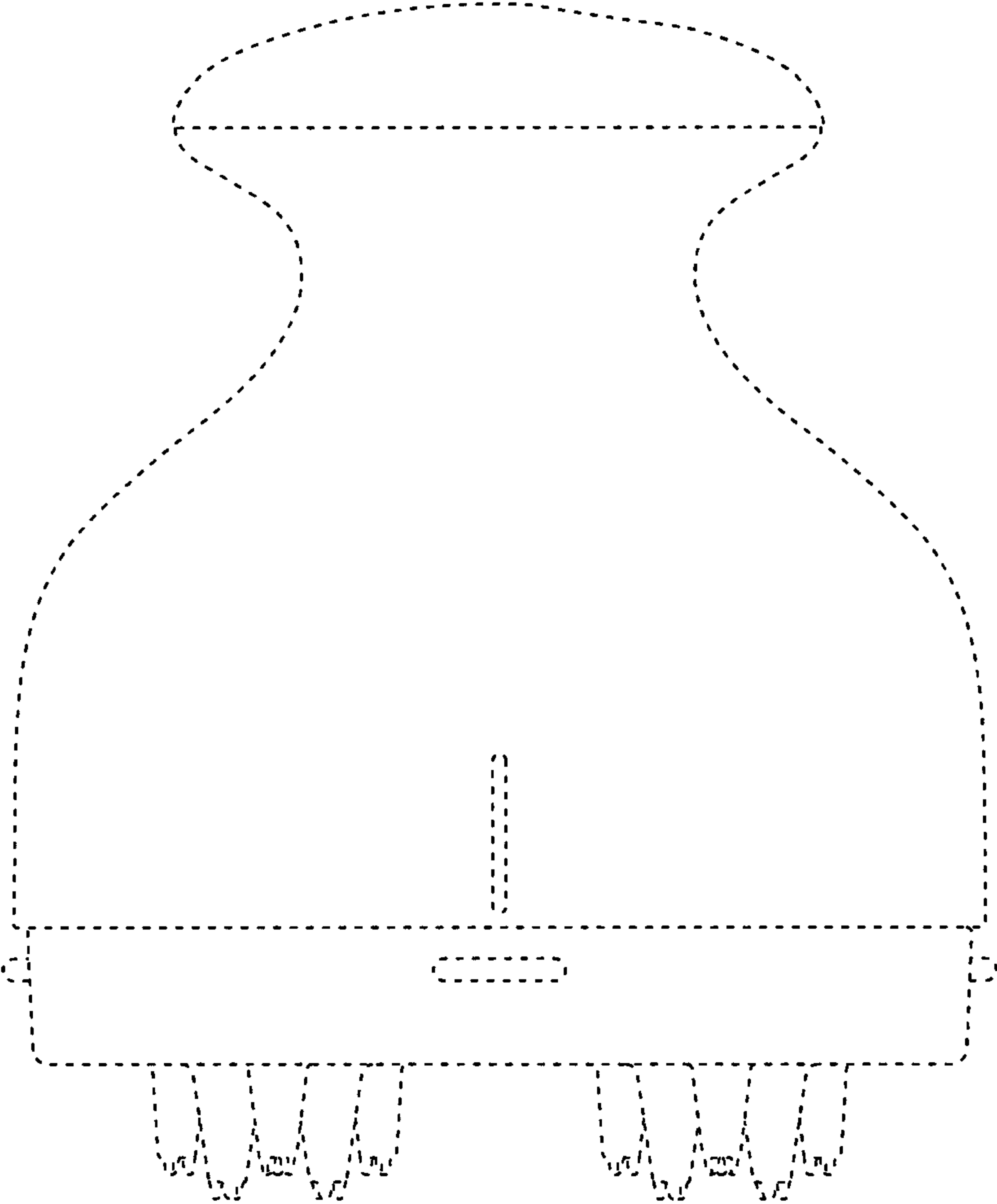


Fig.12

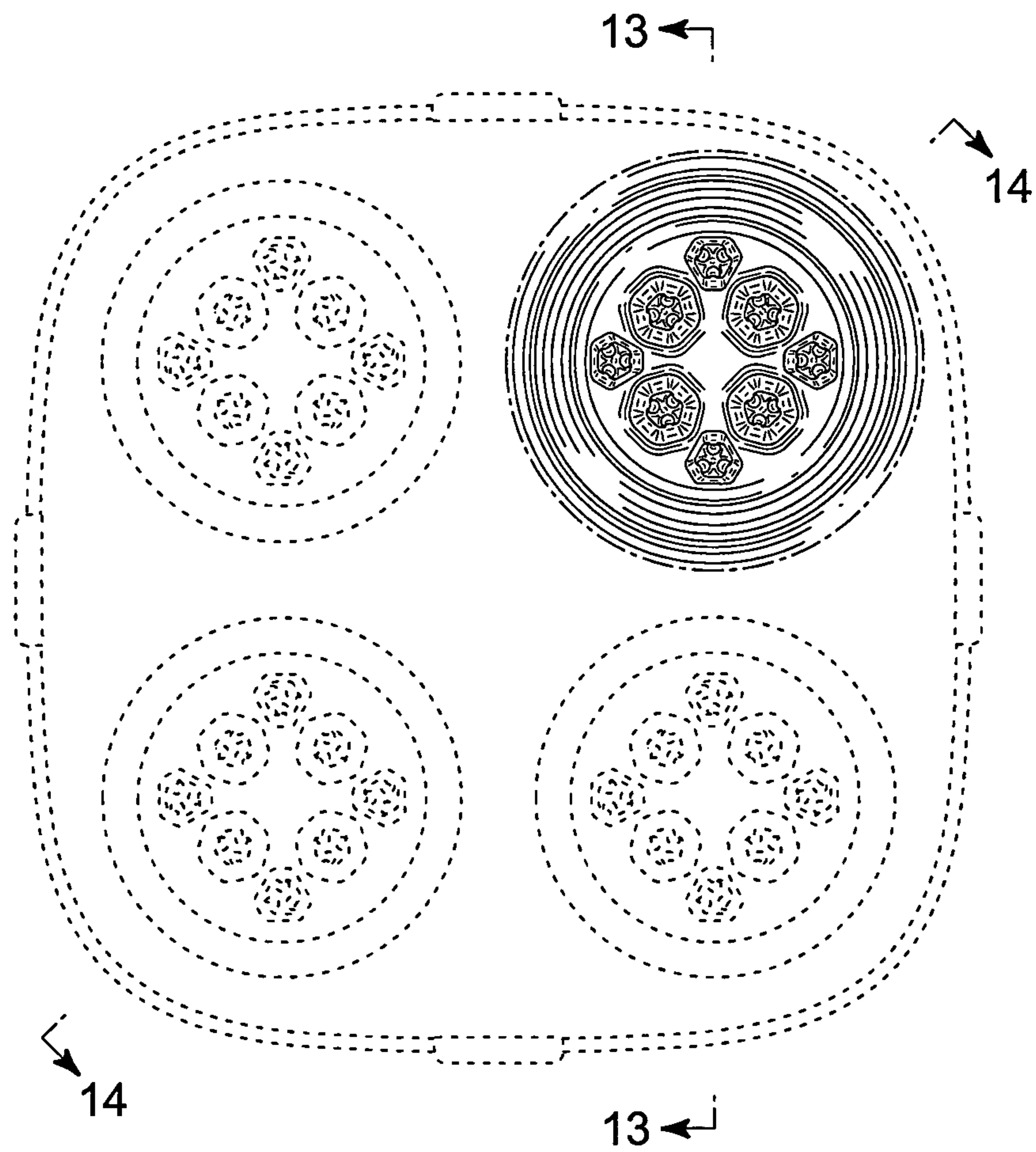


Fig.13

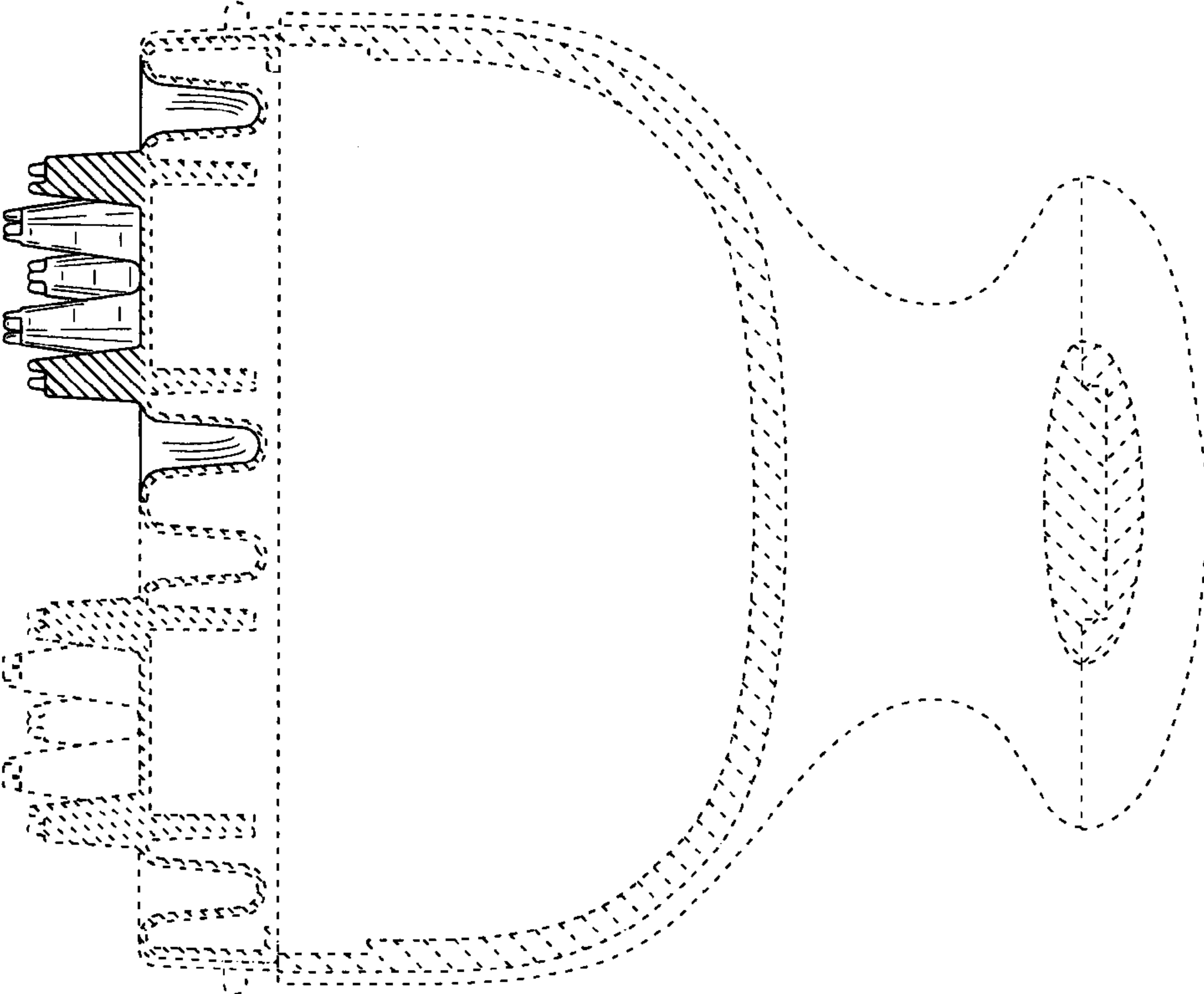


Fig. 14

