



US00D707833S

(12) **United States Design Patent**
Waugh et al.

(10) **Patent No.:** **US D707,833 S**
(45) **Date of Patent:** **** Jun. 24, 2014**

(54) **LIMB SUPPORT**

(71) Applicants: **Anna Waugh**, Tamworth (GB); **Neil James Waugh**, Tamworth (GB)

(72) Inventors: **Anna Waugh**, Tamworth (GB); **Neil James Waugh**, Tamworth (GB)

(**) Term: **14 Years**

(21) Appl. No.: **29/465,821**

(22) Filed: **Aug. 30, 2013**

(30) **Foreign Application Priority Data**

Jul. 27, 2013 (GB) 4031216

(51) **LOC (10) Cl.** **24-01**

(52) **U.S. Cl.**
USPC **D24/190**

(58) **Field of Classification Search**

CPC A61G 13/12; A61G 13/1245; A61G 13/1235; A61G 7/0755; A61G 13/125; A61G 13/0036; A61G 7/075; A61G 2005/127; A61G 2005/128; A61G 5/12
USPC D24/183, 184, 186, 190; D6/349, 601; 602/4-6, 20, 23, 24, 60-62; 128/891, 128/892; 5/632, 633, 636, 646-65, 648; D8/403; D9/456

See application file for complete search history.

(56) **References Cited**

U.S. PATENT DOCUMENTS

3,511,233 A * 5/1970 Elbert, Jr. 128/892
4,553,749 A * 11/1985 Bender et al. 273/459

4,669,450 A * 6/1987 Lindberg 601/33
5,167,598 A * 12/1992 Sands 482/74
5,537,702 A * 7/1996 Brown-Milants et al. 5/632
5,603,336 A * 2/1997 Shepich 128/882
5,603,692 A * 2/1997 Maxwell 602/28
5,611,770 A * 3/1997 Tesch 601/34
5,716,334 A * 2/1998 Wade 602/6
5,978,991 A * 11/1999 Miles 5/651
D422,362 S * 4/2000 Ames D24/183
D542,478 S * 5/2007 Andriola D30/118
D629,571 S * 12/2010 Gryner et al. D30/119

* cited by examiner

Primary Examiner — Eric Goodman

Assistant Examiner — Jennifer Watkins

(74) *Attorney, Agent, or Firm* — Klarquist Sparkman, LLP

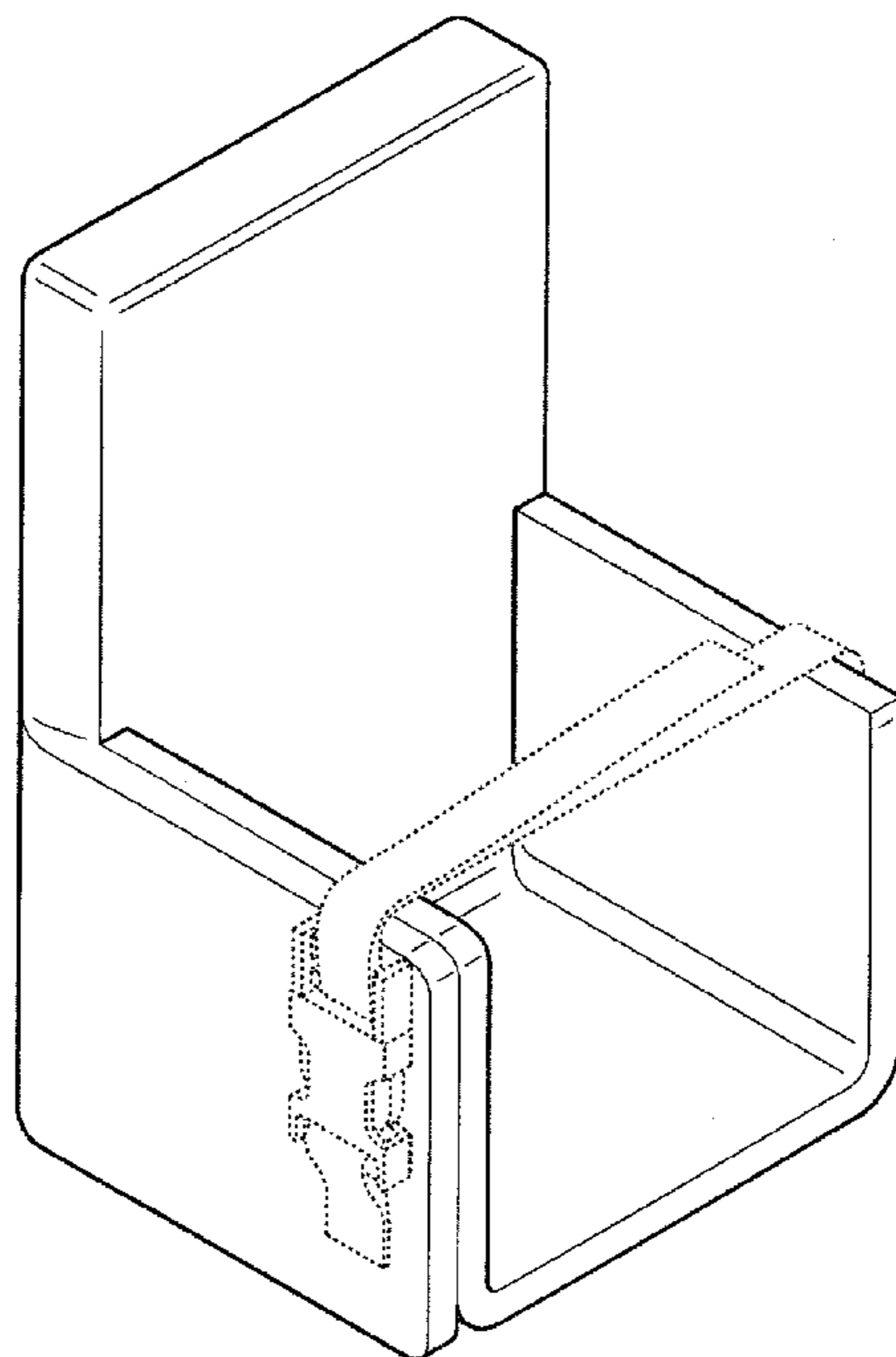
(57) **CLAIM**

We claim the ornamental design for a limb support, as shown and described.

DESCRIPTION

FIG. 1 is a right side perspective view of a portion of a limb support;
FIG. 2 is a right side elevational view of the limb support of FIG. 1;
FIG. 3 is a left side elevational view of the limb support of FIG. 1;
FIG. 4 is a front elevational view of the limb support of FIG. 1;
FIG. 5 is a rear elevational view of the limb support of FIG. 1;
FIG. 6 is a top plan view of the limb support of FIG. 1; and,
FIG. 7 is a bottom plan view of the limb support of FIG. 1.
The broken line drawing of a strap with a buckle is for illustrative purposes only and forms no part of the claimed design.

1 Claim, 7 Drawing Sheets



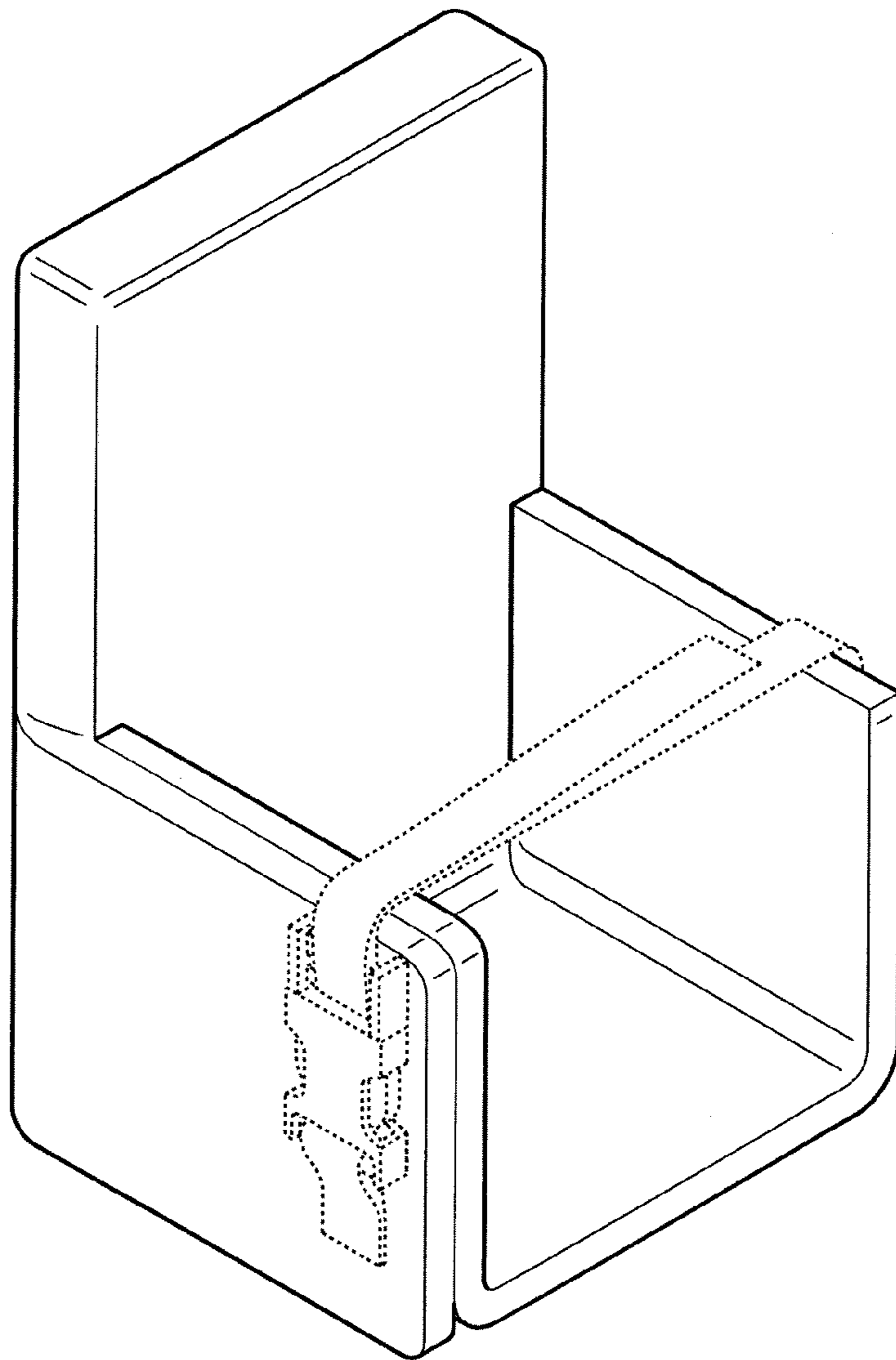


FIG. 1

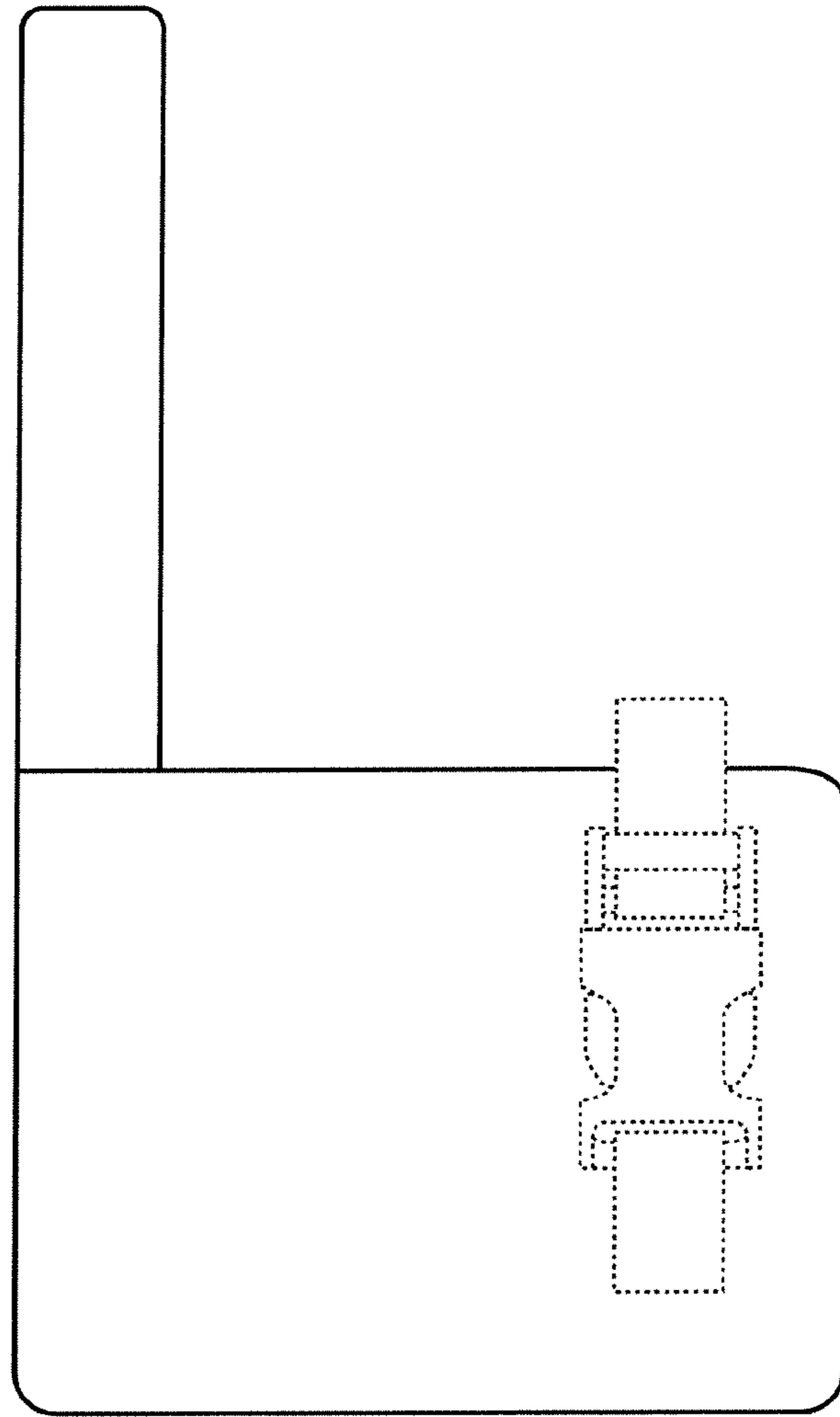


FIG. 2

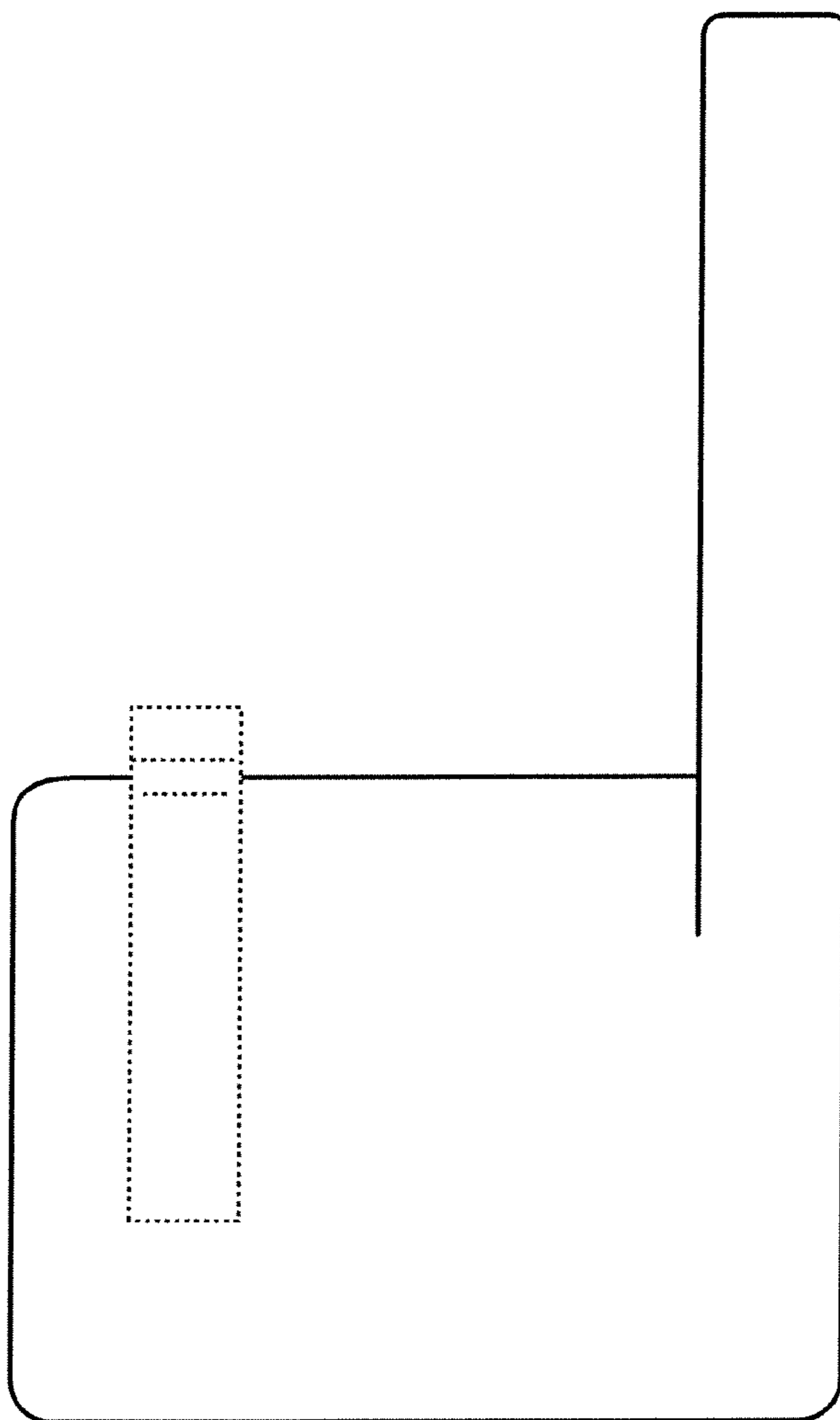


FIG. 3

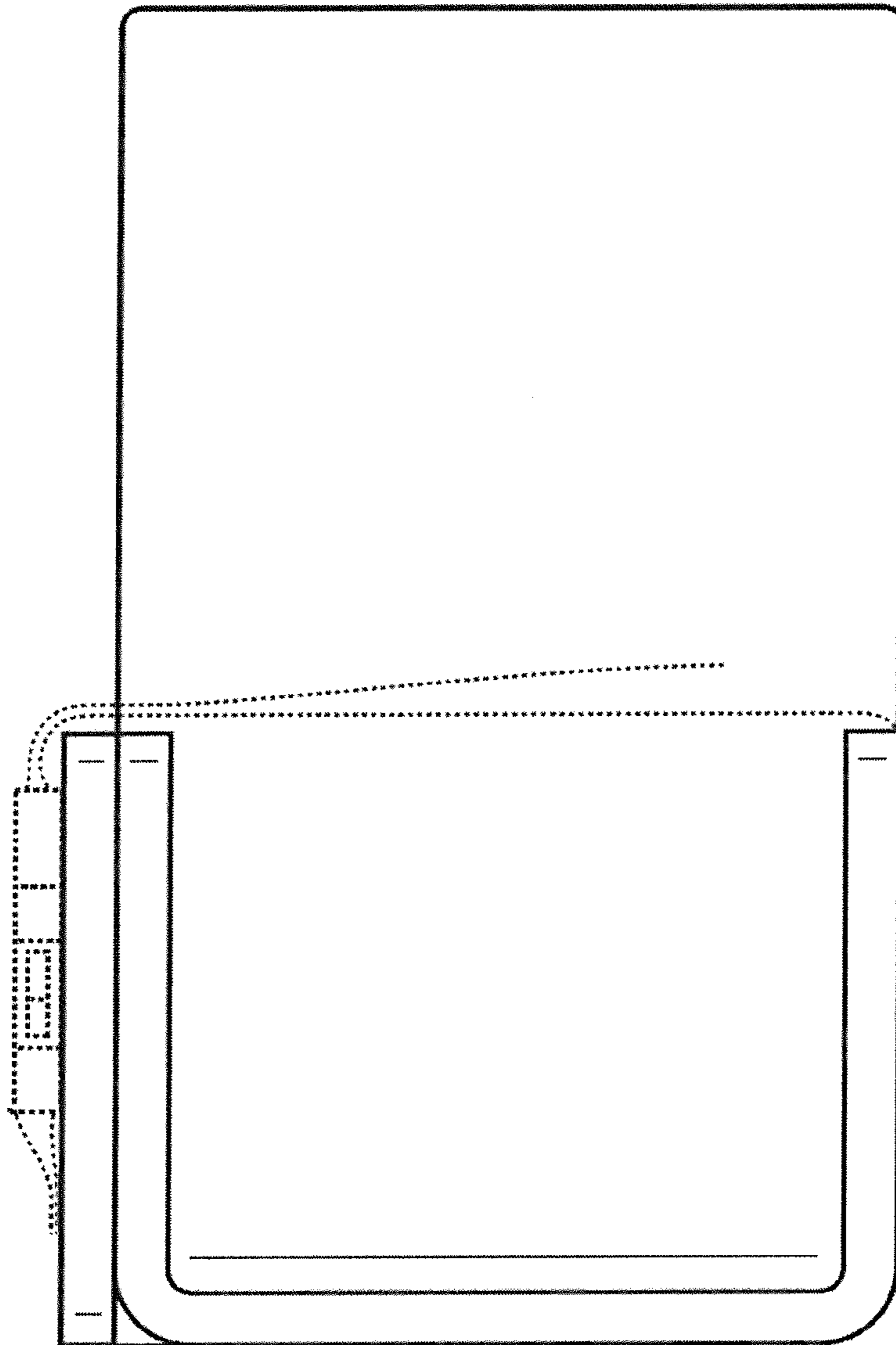


FIG. 4

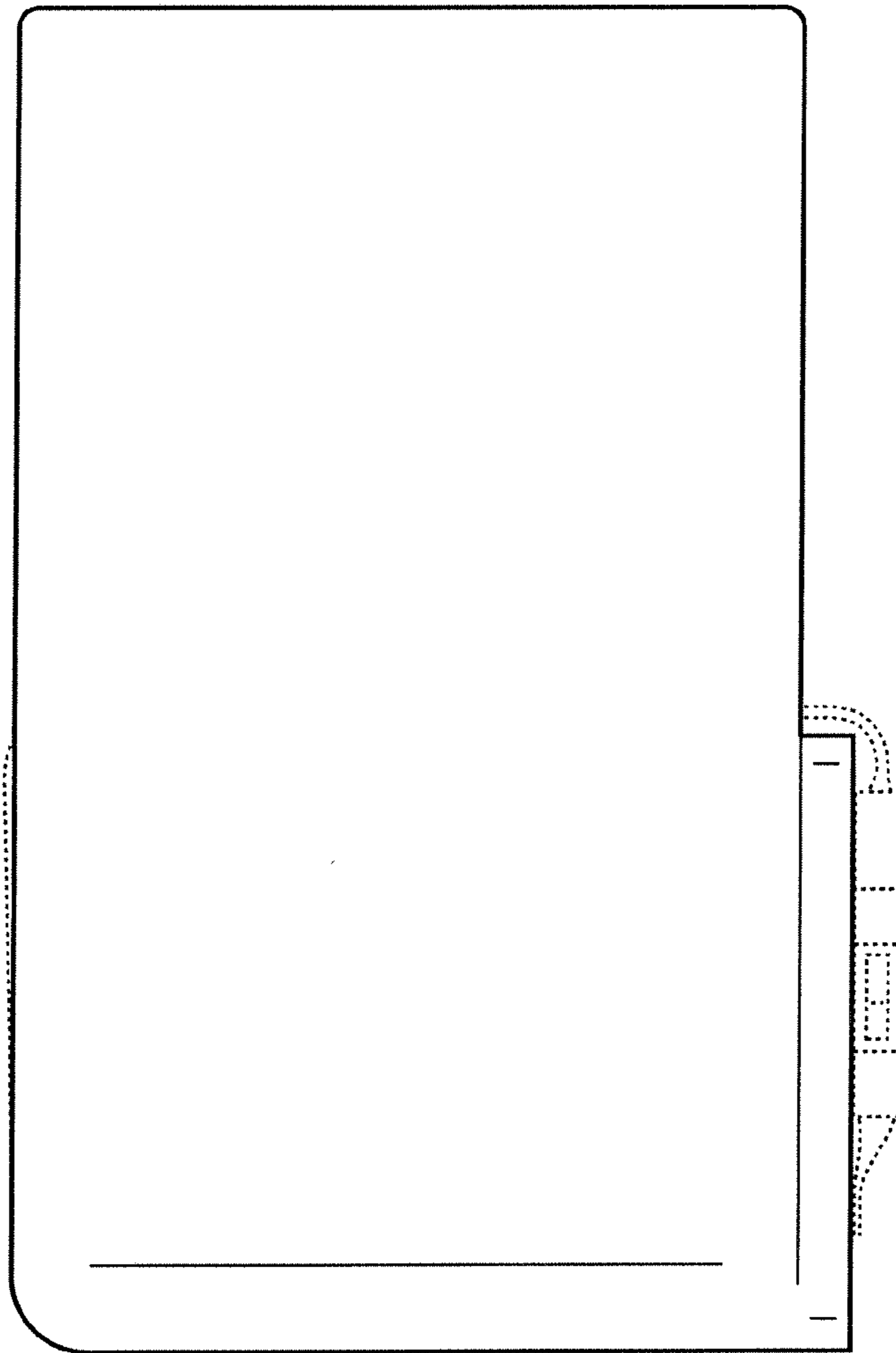


FIG. 5

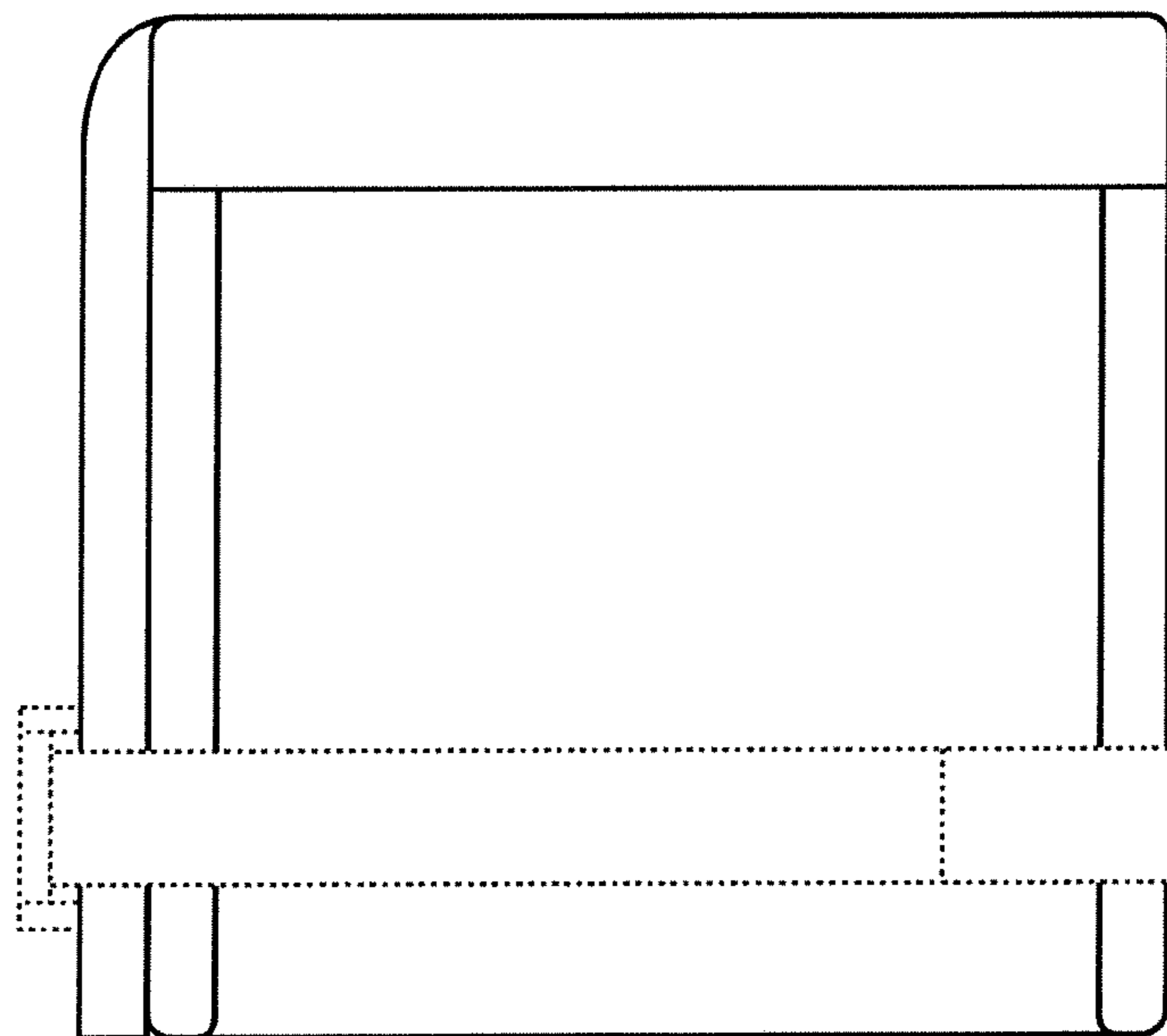


FIG. 6

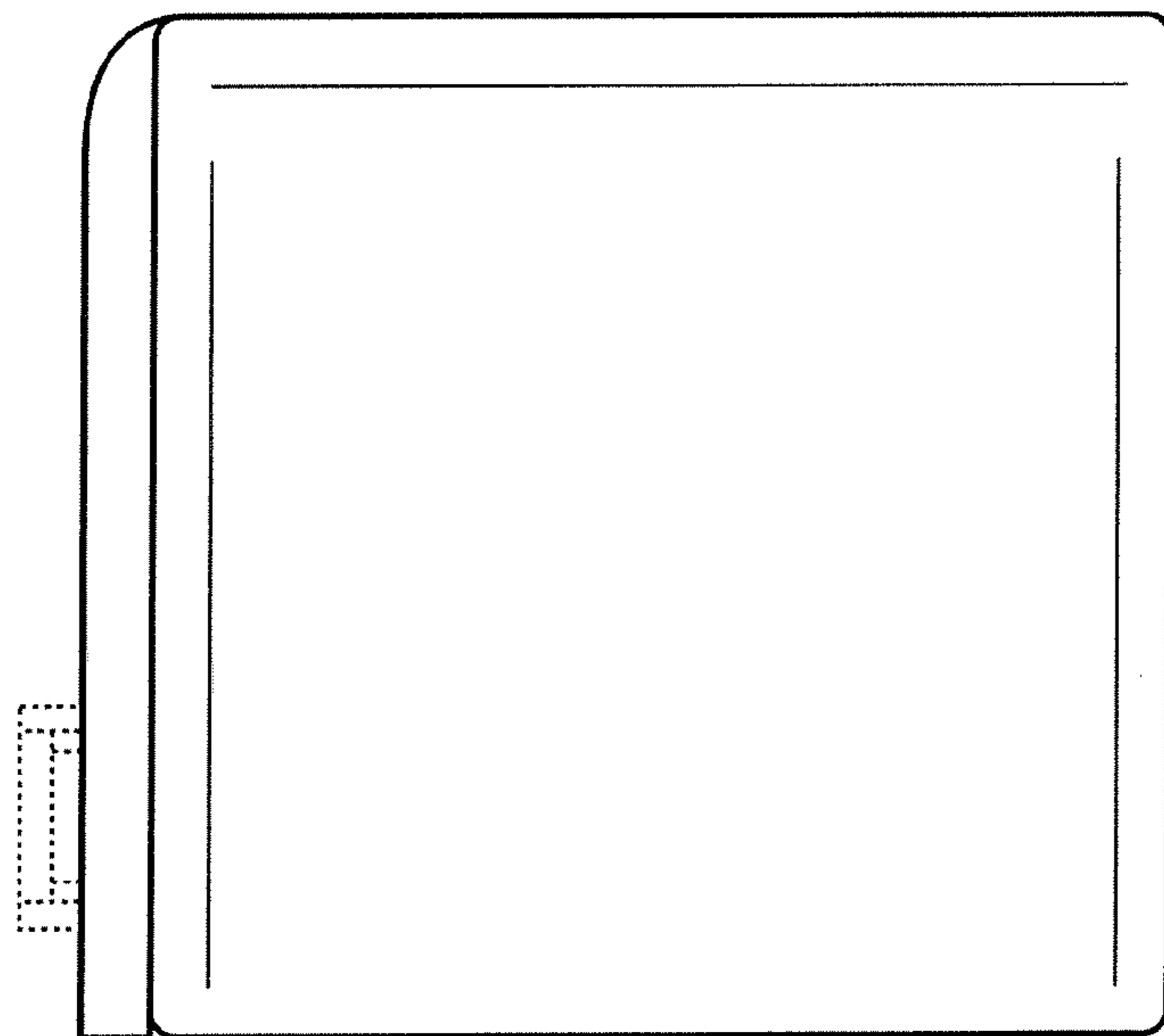


FIG. 7