



US00D707831S

(12) **United States Design Patent**
Klutts

(10) **Patent No.:** **US D707,831 S**
(45) **Date of Patent:** **** Jun. 24, 2014**

- (54) **STRAP TAB FOR A STRAP**
- (71) Applicant: **Ossur hf**, Reykjavik (IS)
- (72) Inventor: **Zachariah J. Klutts**, Trabuco Canyon, CA (US)
- (73) Assignee: **Ossur hf**, Reykjavik (IS)
- (**) Term: **14 Years**
- (21) Appl. No.: **29/441,056**
- (22) Filed: **Dec. 31, 2012**
- (51) **LOC (10) Cl.** **24-01**
- (52) **U.S. Cl.**
USPC **D24/190**
- (58) **Field of Classification Search**
CPC A41F 11/02; A44B 18/0061; A44B 18/0084;
A61F 15/006; A61F 13/5622; A61F 13/62
USPC D24/189-193; 24/306, 442; 602/4-6,
602/20, 27, 61-62, 79; 128/865-866, 878,
128/876; 604/20, 21
See application file for complete search history.

4,862,563 A 9/1989 Flynn
5,081,748 A 1/1992 Eberle
5,105,520 A 4/1992 Eberle

(Continued)

Primary Examiner — Eric Goodman
Assistant Examiner — Jennifer Watkins
(74) *Attorney, Agent, or Firm* — Workman Nydeger

(57) **CLAIM**

The ornamental design for a strap tab for a strap, as shown and described.

DESCRIPTION

FIG. 1 is a perspective view showing a first surface of a strap tab for a strap on an end of a strap in an engaged configuration, showing my design.

FIG. 2 is a perspective view showing a second surface of the strap tab for a strap of FIG. 1 on an end of a strap in an engaged configuration.

FIG. 3 is a perspective view showing the first surface of the strap tab for a strap of FIG. 1 in a closed configuration.

FIG. 4 is a plan view showing the first surface of the strap tab for a strap of FIG. 3.

FIG. 5 is a plan view showing the second surface of the strap tab for a strap of FIG. 3.

FIG. 6 is a first side elevational view of the strap tab for a strap of FIG. 3.

FIG. 7 is a second side elevational view of the strap tab for a strap of FIG. 3.

FIG. 8 is a bottom elevational view of the strap tab for a strap of FIG. 3.

FIG. 9 is a top elevational view of the strap tab for a strap of FIG. 3; and,

FIG. 10 is a perspective view showing the second surface of the strap tab for a strap of FIG. 3 in an open configuration.

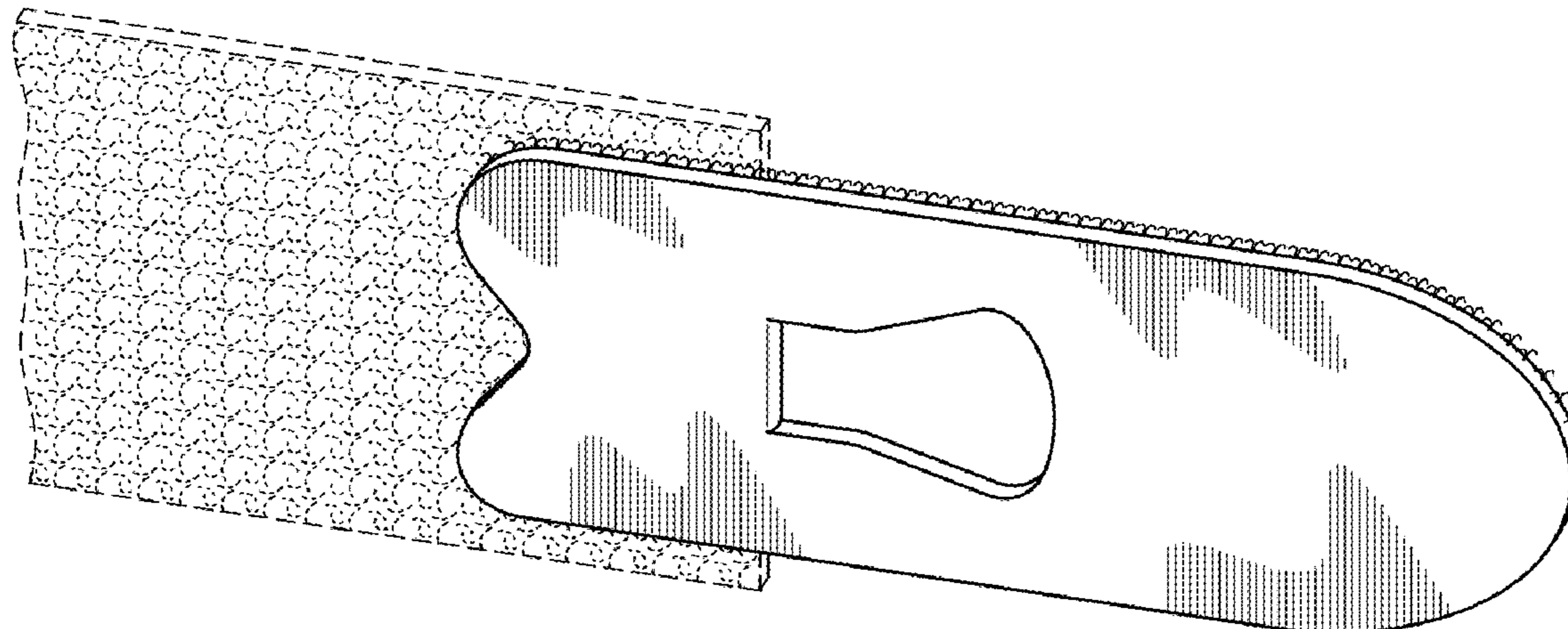
The broken lines are included for the purpose of illustrating environmental structure and form no part of the claimed design.

(56) **References Cited**

U.S. PATENT DOCUMENTS

1,402,594 A *	1/1922	Gedney	24/559
1,469,281 A *	10/1923	Stevens	24/563
2,021,619 A *	11/1935	Waters et al.	24/532
2,361,506 A	10/1944	Smith	
2,961,785 A	11/1960	Toepfer	
3,139,662 A *	7/1964	Barton	24/487
4,074,397 A *	2/1978	Rosin	24/304
D270,779 S *	10/1983	Steinberg	D2/978
4,477,950 A	10/1984	Cisek et al.	
4,555,244 A *	11/1985	Buell	604/392
4,586,499 A *	5/1986	Kaletzky	602/78
4,617,017 A	10/1986	Hubbard et al.	
4,727,865 A *	3/1988	Hill-Byrne	602/6
4,831,997 A *	5/1989	Greene	124/35.2

1 Claim, 3 Drawing Sheets



(56)

References Cited

U.S. PATENT DOCUMENTS

5,142,743	A	9/1992	Hahn	7,132,144	B2	11/2006	Roberts	
5,177,986	A	1/1993	Jensen	D533,280	S	12/2006	Wyatt et al.	
5,289,619	A	3/1994	Pileggi	7,219,405	B1	5/2007	Nevens	
5,300,037	A	4/1994	Delk et al.	7,334,354	B2	2/2008	Foxen et al.	
5,511,756	A	4/1996	Spradling	7,356,888	B2	4/2008	Chao et al.	
5,548,871	A	8/1996	Trethewey	7,361,154	B2	4/2008	Jablonka et al.	
6,029,321	A	2/2000	Fisher	7,452,343	B2	11/2008	Campbell	
6,049,953	A	4/2000	McCay et al.	7,587,796	B1	9/2009	Schultz	
6,308,387	B1	10/2001	Borzi	7,588,216	B1	9/2009	Hoyl et al.	
6,385,821	B1	5/2002	Modgil et al.	7,624,480	B2	12/2009	Coronel	
6,419,668	B2	7/2002	Minato	7,636,987	B2	12/2009	Derscheid et al.	
6,430,784	B1	8/2002	Dudek et al.	7,708,709	B2	5/2010	Brewer	
6,449,815	B1	9/2002	Spiller	7,712,155	B1	5/2010	Pantoja	
6,485,448	B2	11/2002	Lamping et al.	7,713,224	B1	5/2010	Peters et al.	
6,544,245	B2	4/2003	Neeb et al.	7,793,892	B1	9/2010	Bowen et al.	
6,622,346	B2	9/2003	Graham et al.	7,914,475	B2	3/2011	Wyatt et al.	
6,681,454	B2	1/2004	Modgil et al.	7,921,525	B1	4/2011	Lucas	
6,763,554	B1	7/2004	Torrey et al.	7,979,088	B2	7/2011	Miller	
6,775,896	B2	8/2004	Dudek et al.	8,016,492	B2	9/2011	Pyle	
6,782,654	B1	8/2004	Borchardt	8,069,540	B2	12/2011	Obiols et al.	
6,826,807	B2	12/2004	Inoue et al.	8,458,864	B1 *	6/2013	Patton et al.	24/306
6,851,161	B2	2/2005	Kingsford et al.	2002/0073516	A1 *	6/2002	Behar	24/306
7,096,544	B2	8/2006	Lusardi	2003/0110596	A1	6/2003	Graham et al.	
				2006/0032032	A1	2/2006	Cheng	
				2007/0124899	A1 *	6/2007	Israel et al.	24/306
				2008/0065039	A1 *	3/2008	Labit et al.	604/385.14

* cited by examiner

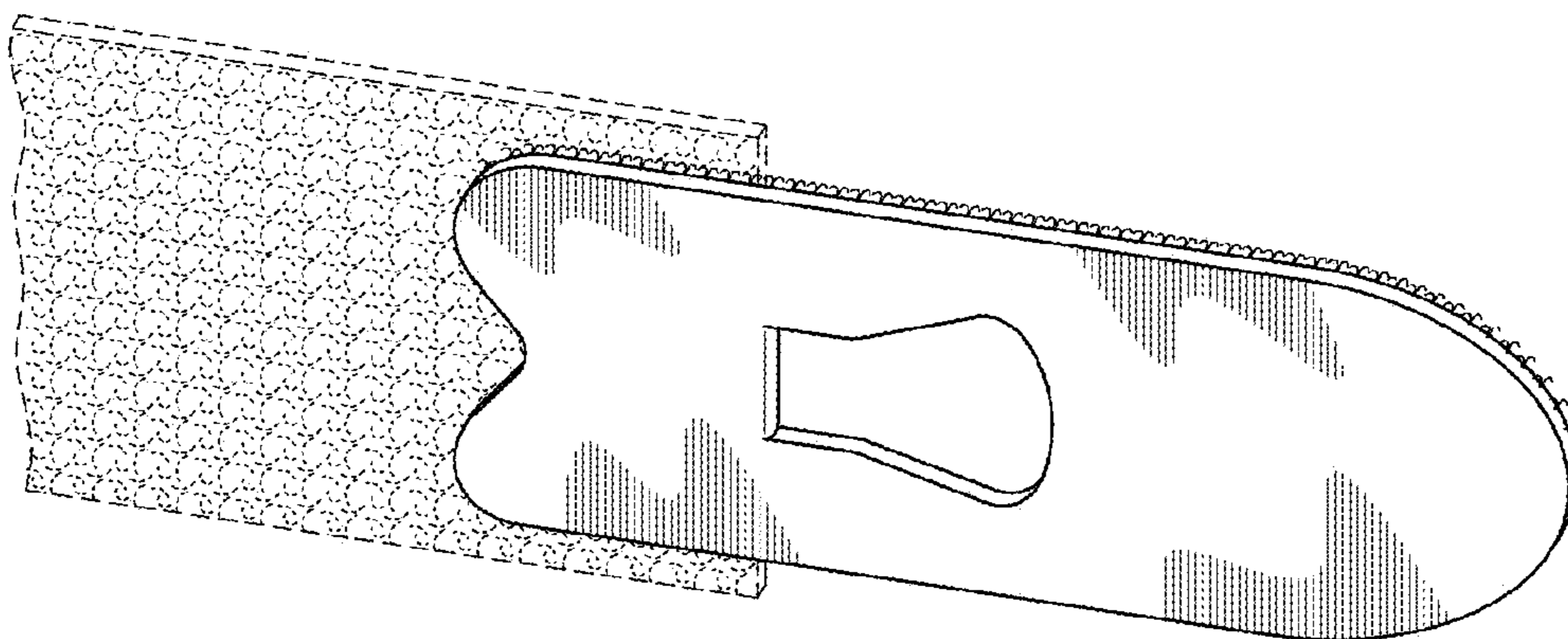


FIG. 1

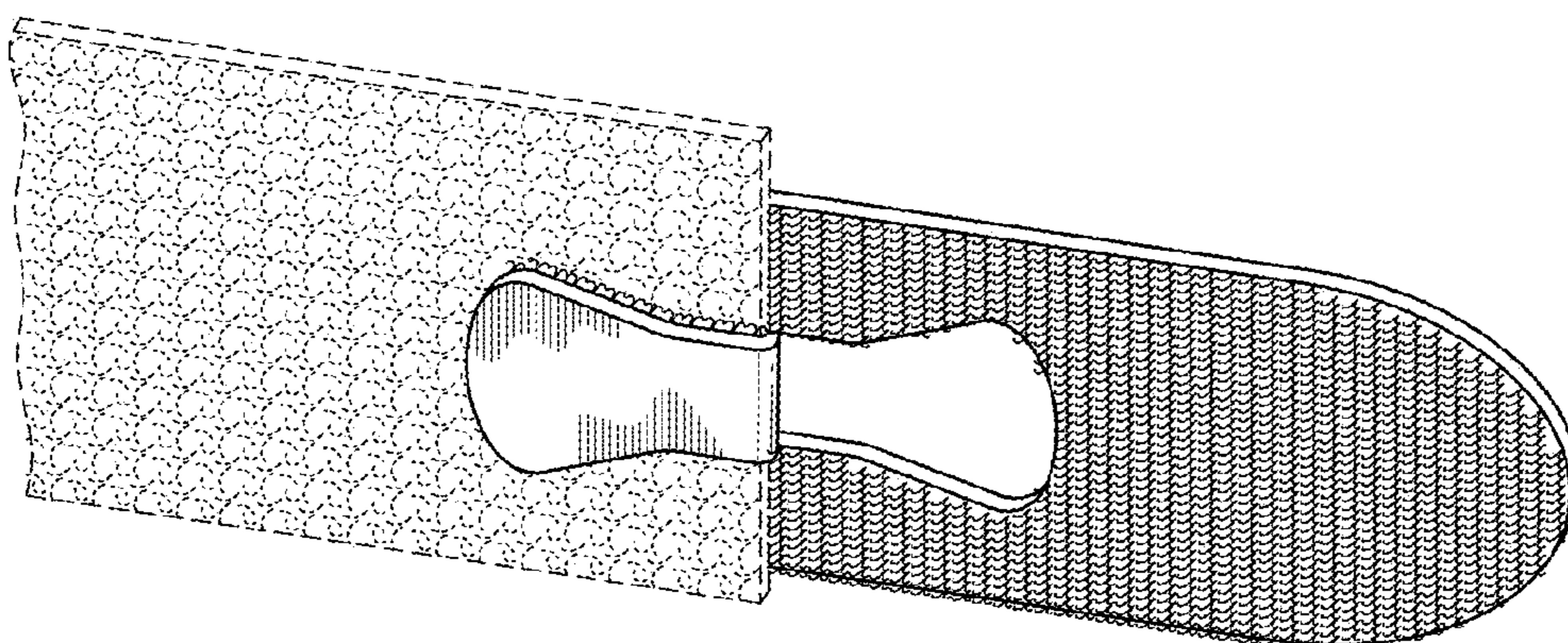


FIG. 2

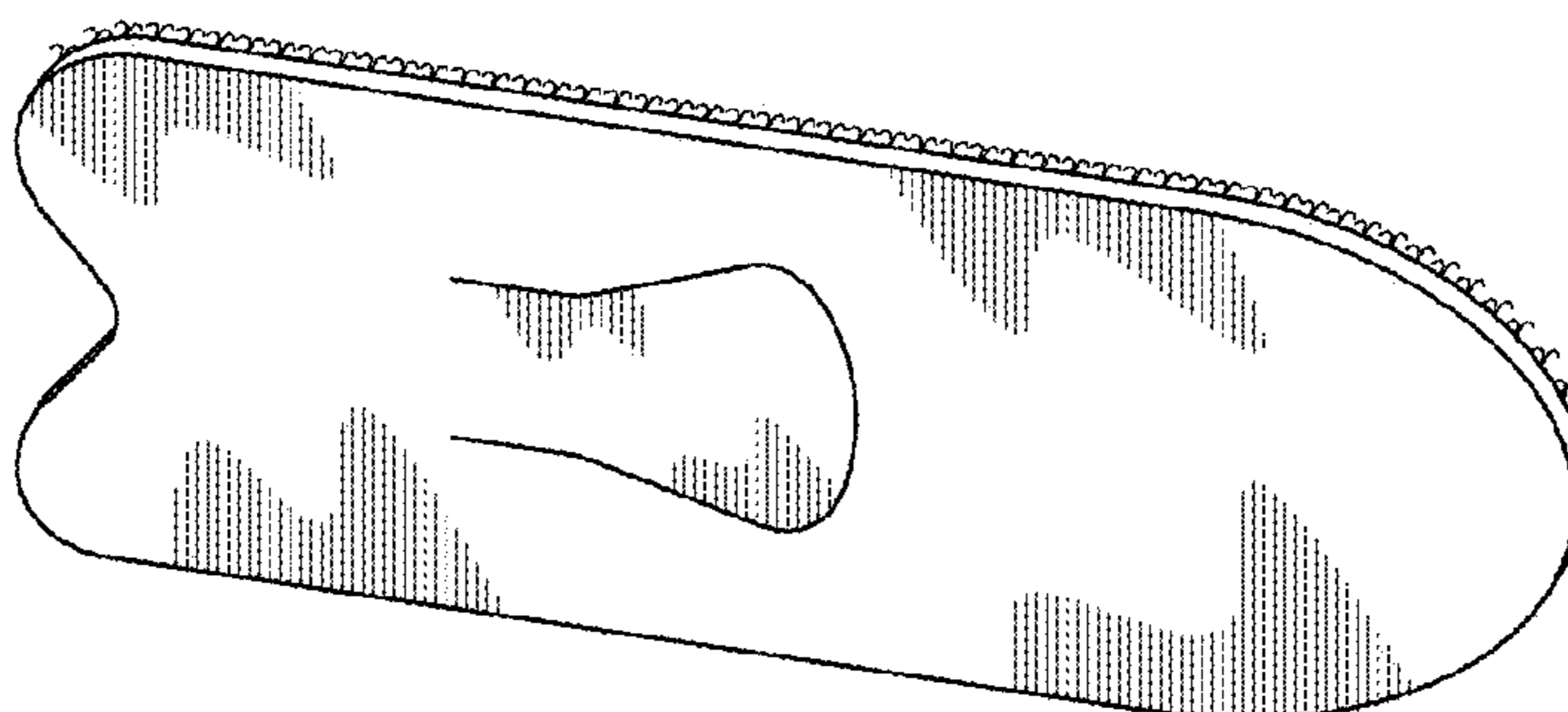


FIG. 3

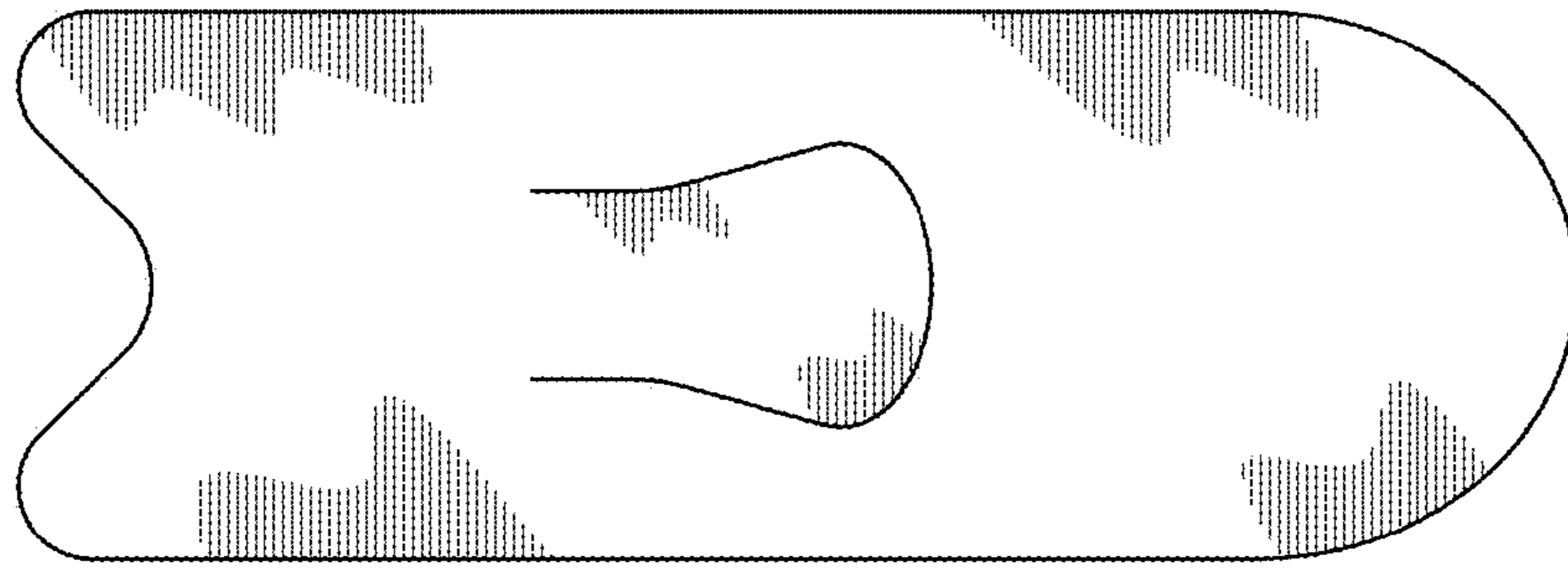


FIG. 4

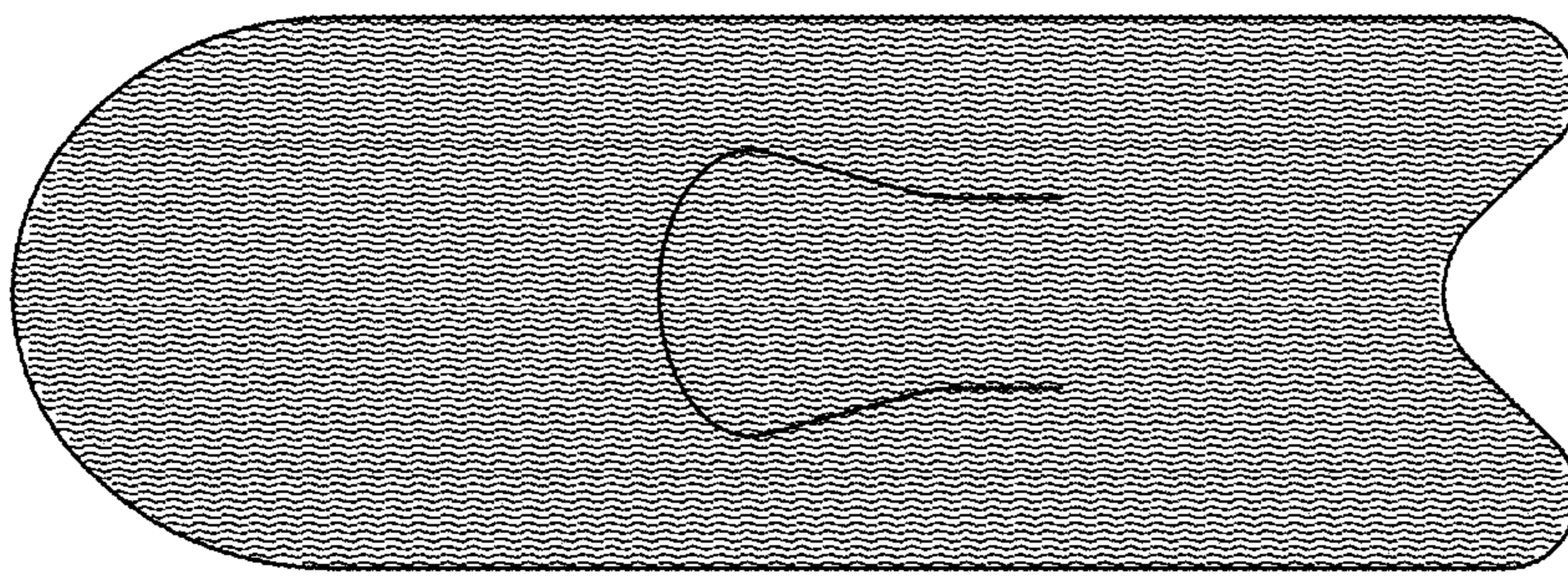


FIG. 5



FIG. 6



FIG. 7



FIG. 8

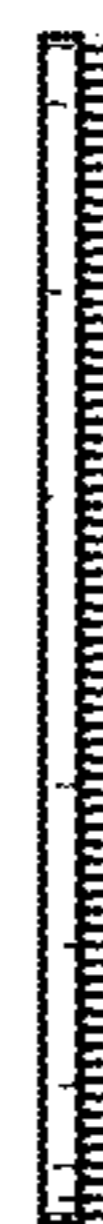


FIG. 9

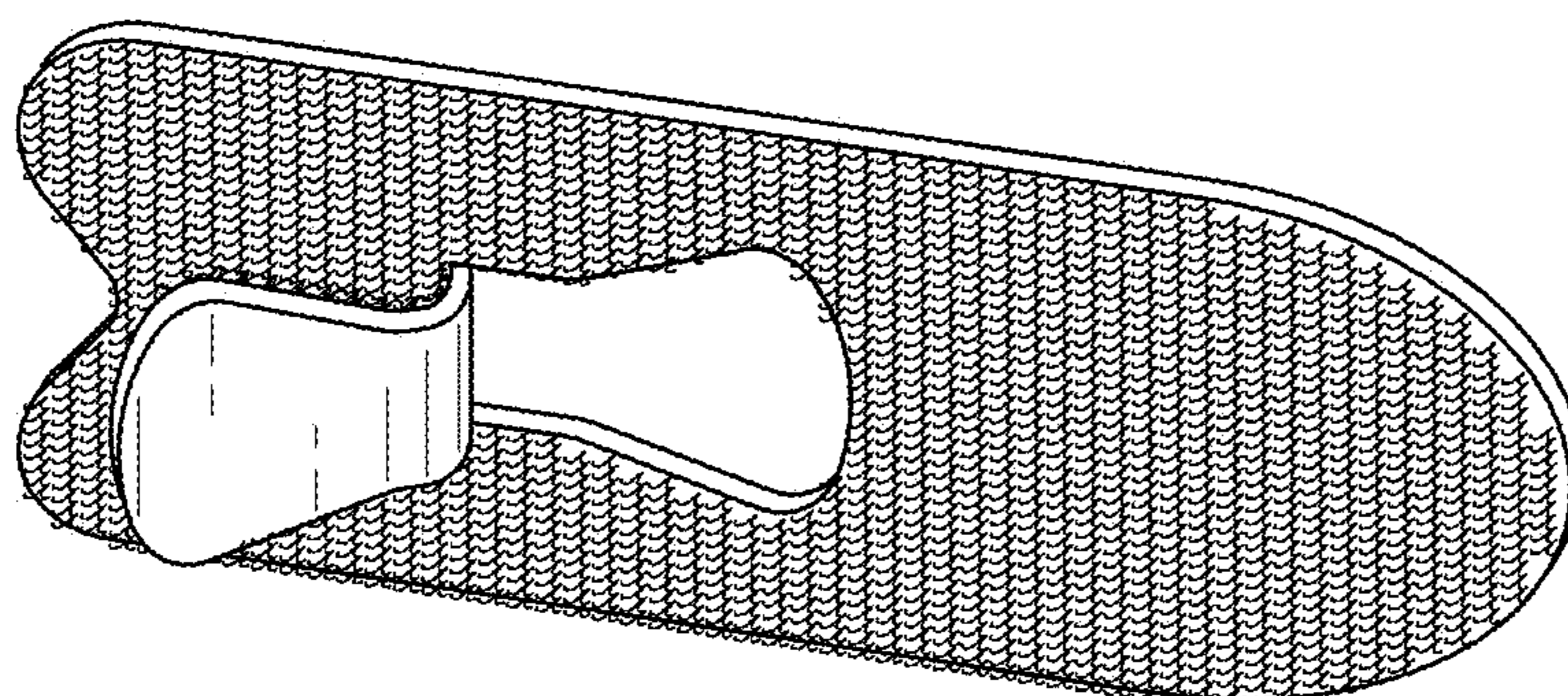


FIG. 10