



US00D707826S

(12) **United States Design Patent**  
**Young**

(10) **Patent No.:** **US D707,826 S**  
(45) **Date of Patent:** **\*\* Jun. 24, 2014**

(54) **BLOOD GLUCOSE METER**  
(71) Applicant: **Med Trust Handelsgesellschaft m.b.H,**  
Marz (AT)

D546,454 S \* 7/2007 Gutmann et al. .... D24/169  
D622,394 S \* 8/2010 Bielawa et al. .... D24/169  
D651,924 S \* 1/2012 Faulkner et al. .... D10/81  
8,236,165 B2 \* 8/2012 Huang ..... 205/792  
D670,812 S \* 11/2012 Huang ..... D24/169

(72) Inventor: **Cindy Young,** New Taipei (TW)

\* cited by examiner

(73) Assignee: **Trust Handelsgesellschaft Med.,** Marz  
(AT)

*Primary Examiner* — Anhdao Doan

(74) *Attorney, Agent, or Firm* — Mark M. Friedman

(\*\*) Term: **14 Years**

(57) **CLAIM**

The ornamental design for a blood glucose meter, as shown and described.

(21) Appl. No.: **29/455,549**

**DESCRIPTION**

(22) Filed: **May 22, 2013**

(51) **LOC (10) Cl.** ..... **24-01**

(52) **U.S. Cl.**  
USPC ..... **D24/169**

(58) **Field of Classification Search**  
USPC ..... D24/107, 165–169, 186, 216, 223, 231,  
D24/232; D10/78, 81; 422/68.1, 400, 565;  
205/792; 435/41, 287.1; 600/309, 316,  
600/322, 365, 368

FIG. 1 is a front view of a blood glucose meter showing my design;

FIG. 2 is a top view thereof (on a larger scale than the other drawings);

FIG. 3 is a side view thereof;

FIG. 4 is a side view thereof;

FIG. 5 is a back view thereof;

FIG. 6 is a perspective view thereof; and,

FIG. 7 is a bottom view thereof (on a larger scale than the other drawings).

The broken lines are included for the purpose of illustrating portions of the blood glucose meter that form no part of the claimed design.

See application file for complete search history.

(56) **References Cited**

**U.S. PATENT DOCUMENTS**

5,281,395 A \* 1/1994 Markart et al. .... 422/68.1  
D531,725 S \* 11/2006 Loerwald et al. .... D24/146

**1 Claim, 7 Drawing Sheets**

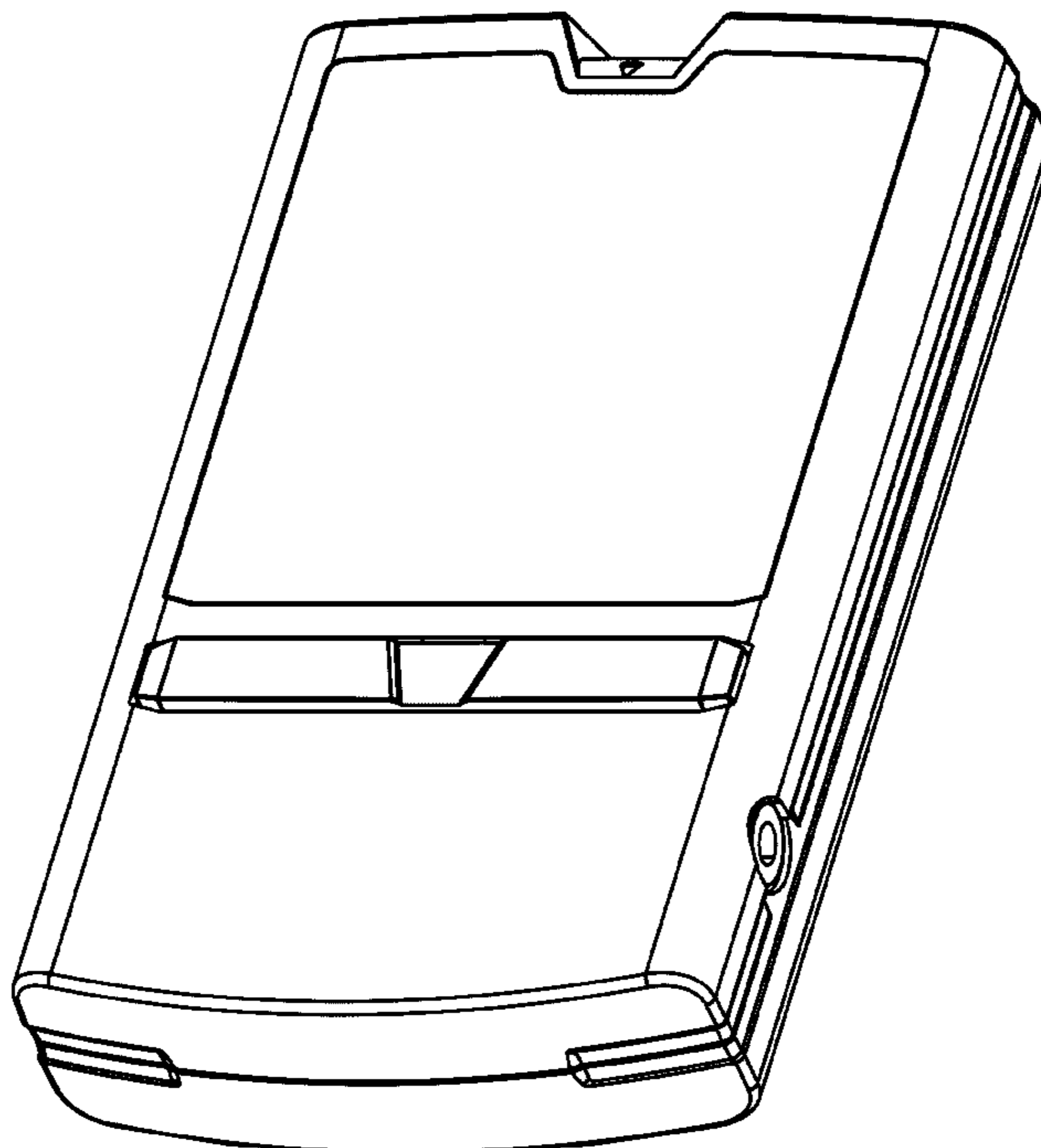


FIG. 1

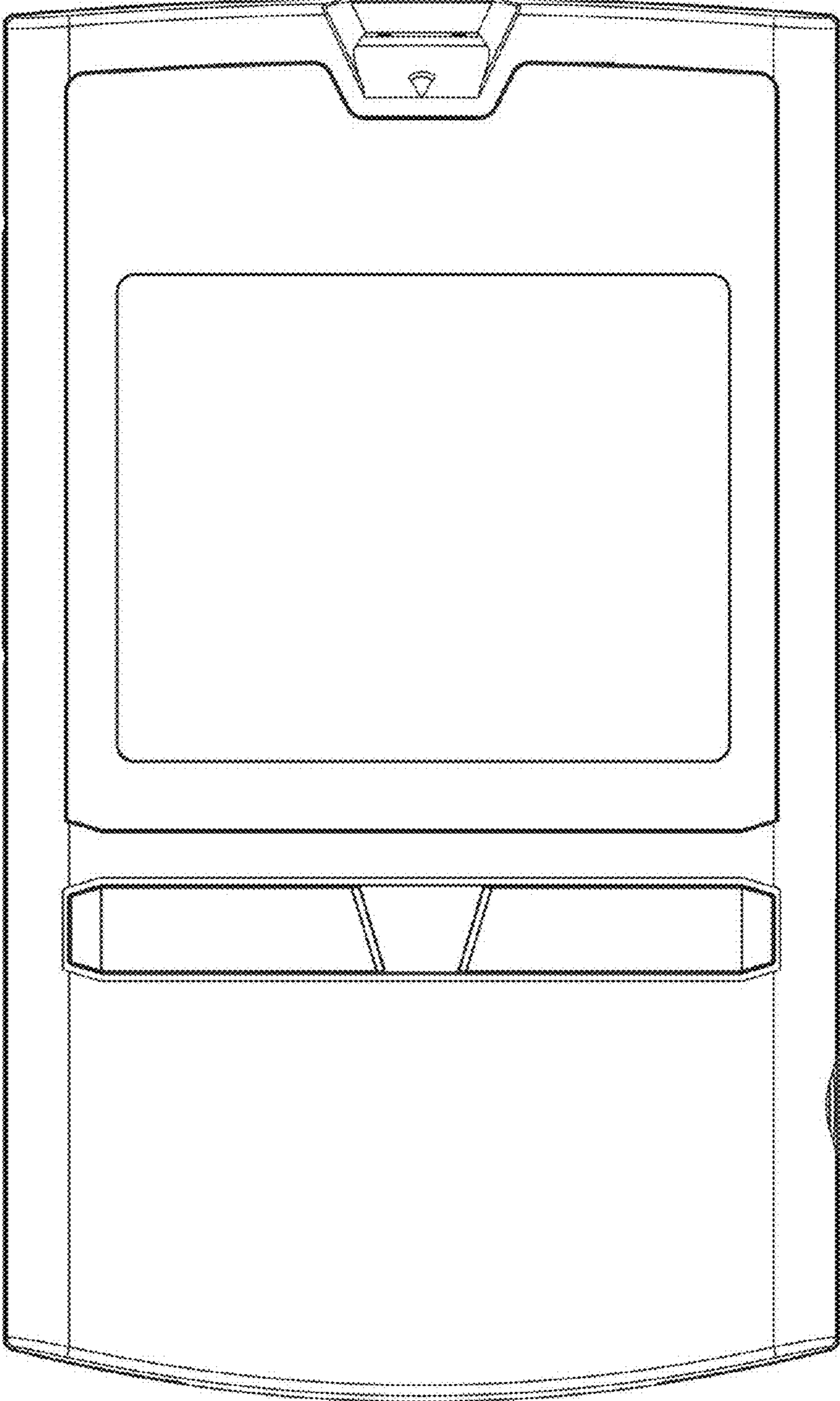


FIG. 2

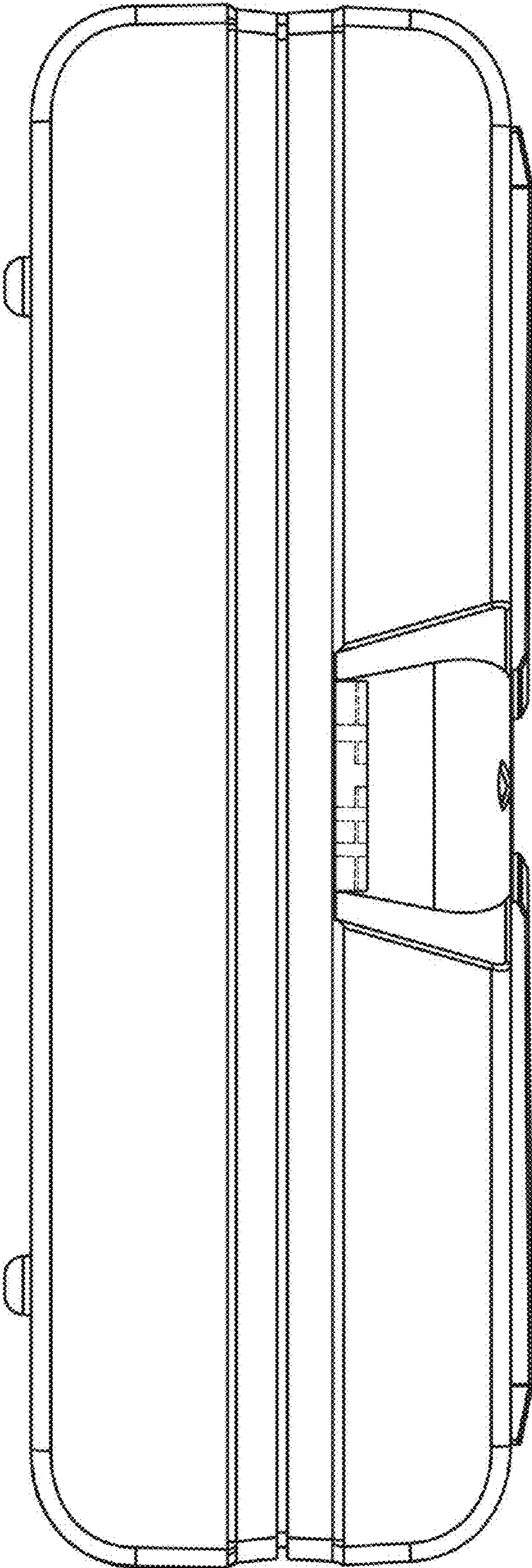


FIG. 3

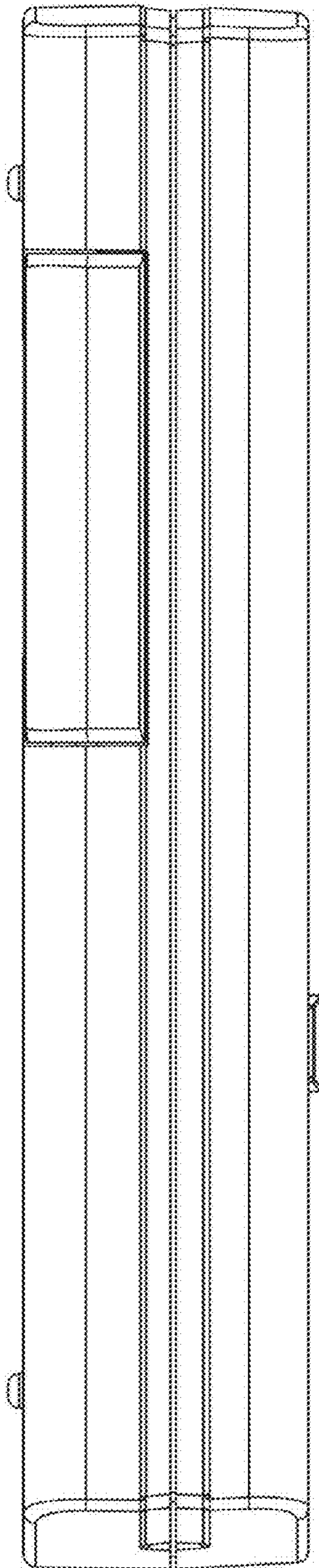




FIG. 4

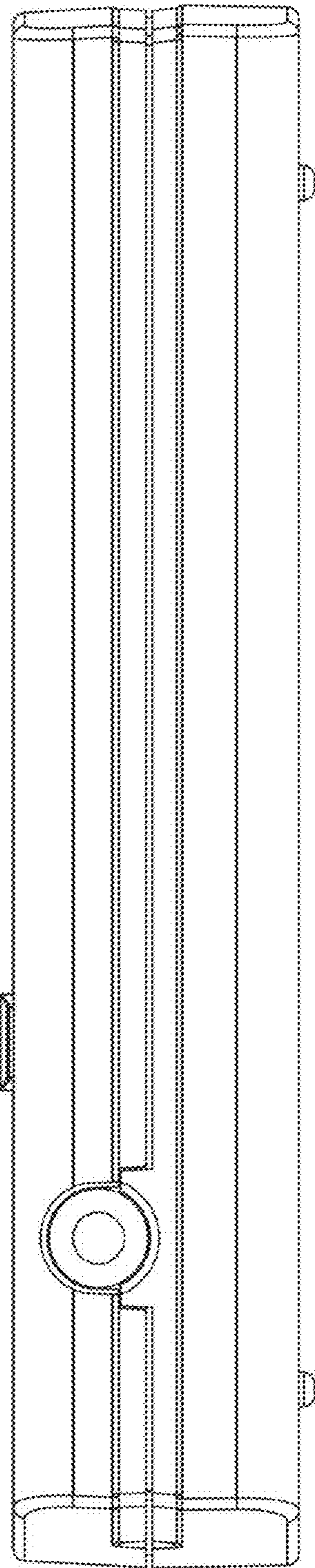


FIG. 5

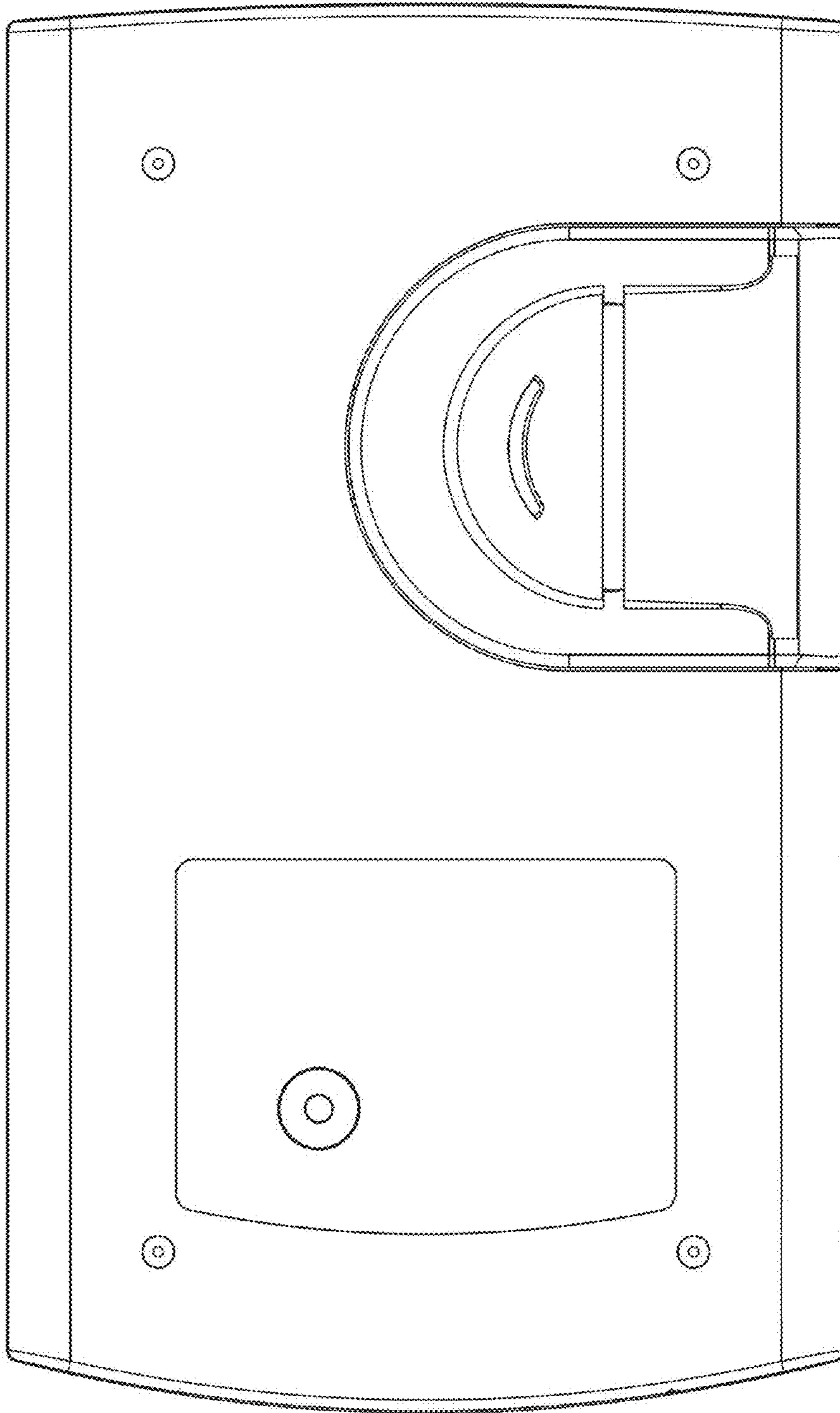


FIG. 6

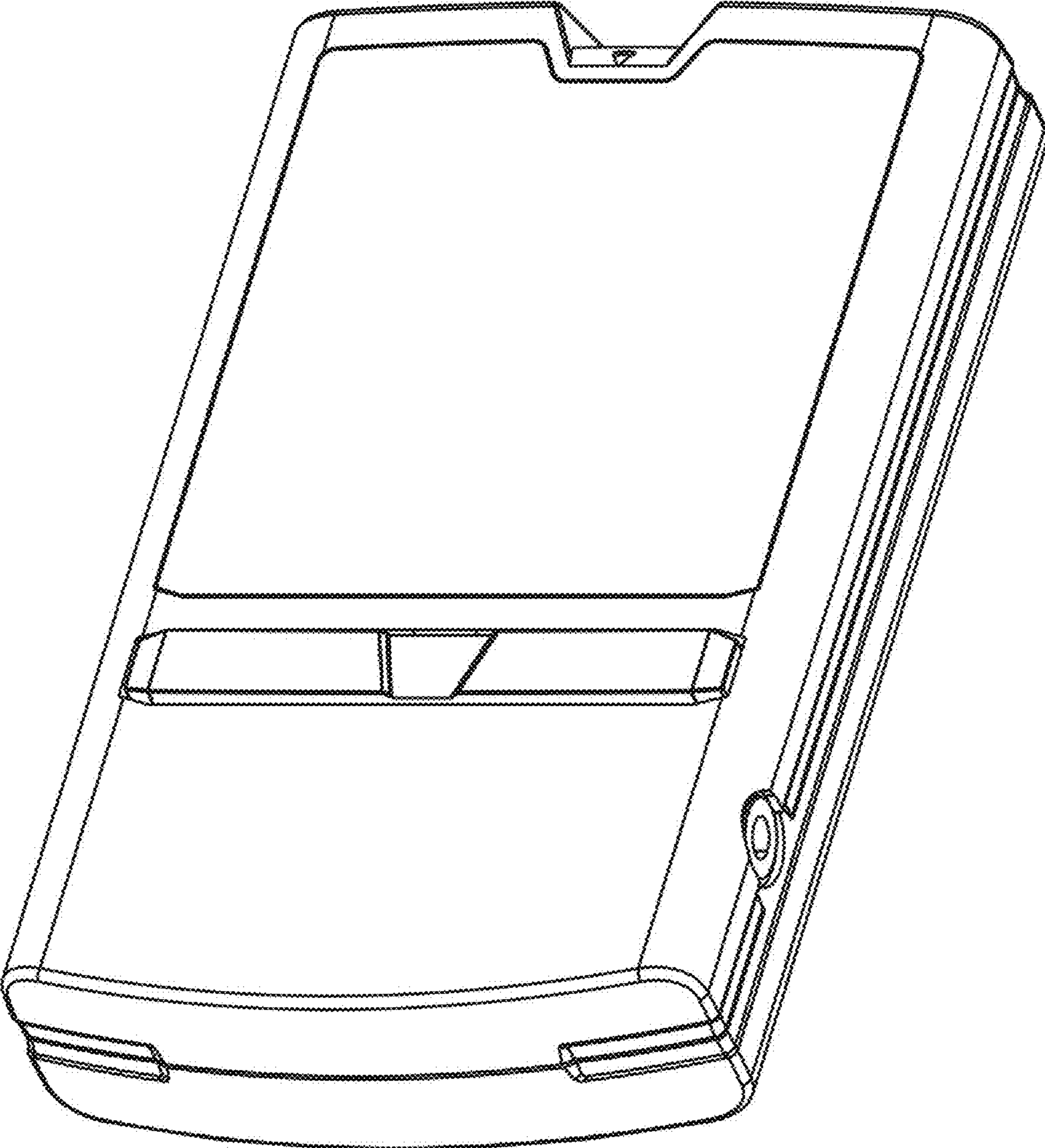


FIG. 7

