



US00D707825S

(12) **United States Design Patent**
Murai

(10) **Patent No.:** **US D707,825 S**
(45) **Date of Patent:** **** Jun. 24, 2014**

(54) **CONNECTOR FOR BLOOD CIRCUIT**

FOREIGN PATENT DOCUMENTS

(75) Inventor: **Koichi Murai**, Osaka (JP)
(73) Assignee: **Nipro Corporation**, Osaka (JP)

JP 1382532 S 3/2010
JP 1382533 S 3/2010
JP 2011-55911 A 3/2011

(**) Term: **14 Years**

OTHER PUBLICATIONS

(21) Appl. No.: **29/429,978**

GCMEDICA International Ltd., Catalogue "Dialysis Components Pump Connectors", Nov. 30, 2006.

(22) Filed: **Aug. 20, 2012**

* cited by examiner

(30) **Foreign Application Priority Data**

Primary Examiner — Anhdao Doan

Feb. 21, 2012 (JP) D2012-003522

(74) *Attorney, Agent, or Firm* — Birch, Stewart, Kolasch & Birch, LLP

(51) **LOC (10) Cl.** **24-01**

(52) **U.S. Cl.**

USPC **D24/169**

(58) **Field of Classification Search**

USPC D24/107, 108, 127, 129, 169; 604/4.01,
604/6.16, 83, 256

See application file for complete search history.

(57) **CLAIM**

The ornamental design for a connector for blood circuit, as shown and described.

(56) **References Cited**

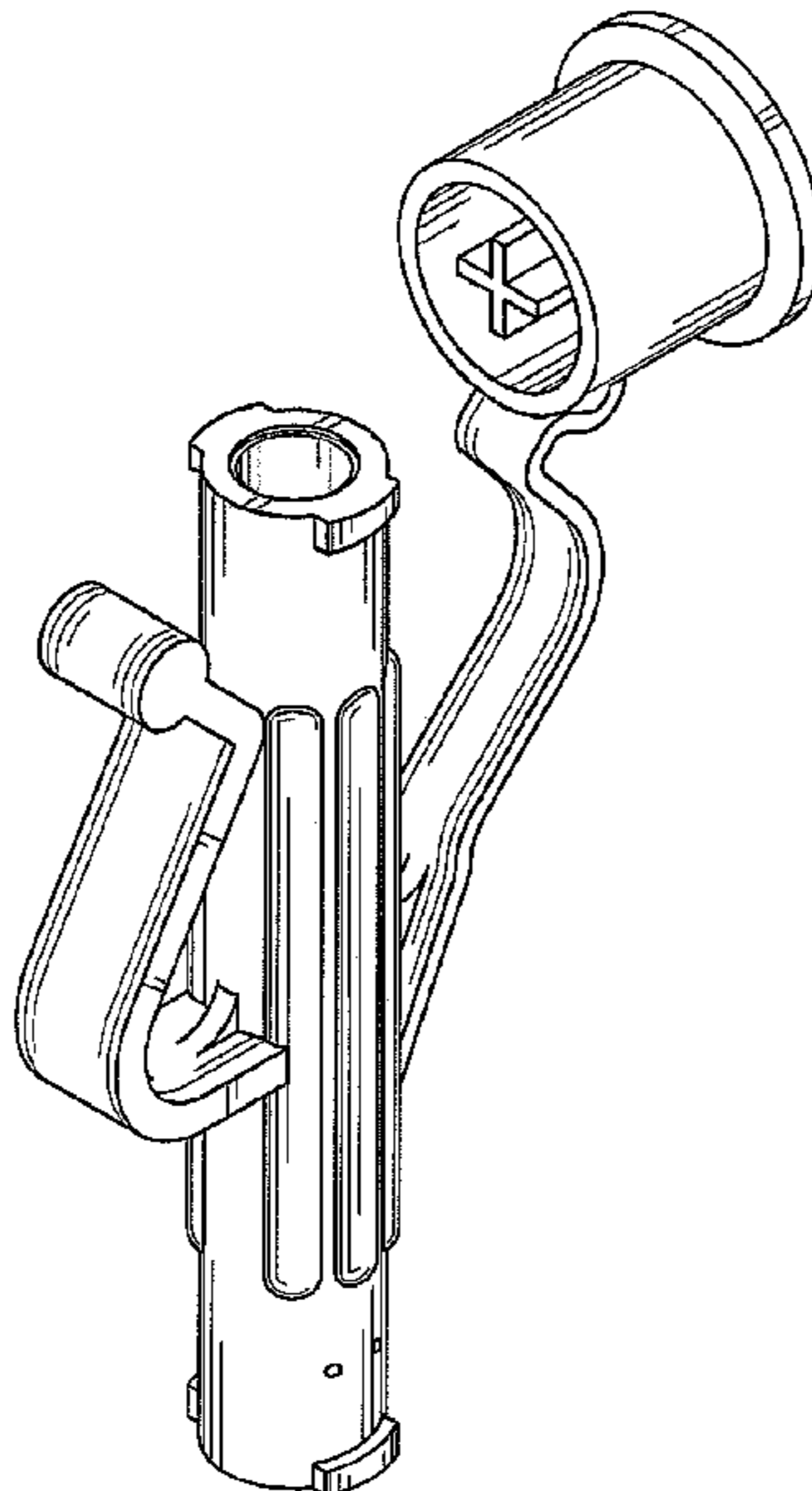
DESCRIPTION

U.S. PATENT DOCUMENTS

3,741,217 A * 6/1973 Ciarico 604/256
4,560,378 A * 12/1985 Weiland 604/83
D308,576 S * 6/1990 Iversen D24/129
D340,285 S * 10/1993 Herweck et al. D24/169
D360,030 S * 7/1995 Michels et al. D24/129
5,674,209 A * 10/1997 Yarger 604/540
5,693,008 A * 12/1997 Brugger et al. 604/4.01
D408,079 S * 4/1999 Ellis D24/108
D448,848 S * 10/2001 Clark et al. D24/129
D606,198 S * 12/2009 Collins et al. D24/169
D644,317 S * 8/2011 Tsao D24/108
2005/0148924 A1 * 7/2005 Goehl et al. 604/6.16
2010/0256547 A1 * 10/2010 Ribolzi et al. 604/7

FIG. 1 is a perspective view of a connector for blood circuit;
FIG. 2 is a front view thereof;
FIG. 3 is a rear view thereof;
FIG. 4 is a left side view thereof;
FIG. 5 is a right side view thereof;
FIG. 6 is a top view thereof;
FIG. 7 is a bottom view thereof;
FIG. 8 is a cross-sectional view taken along line 8-8 in FIG. 4 thereof; and,
FIG. 9 is a front view thereof showing a condition the cap closed.

1 Claim, 7 Drawing Sheets



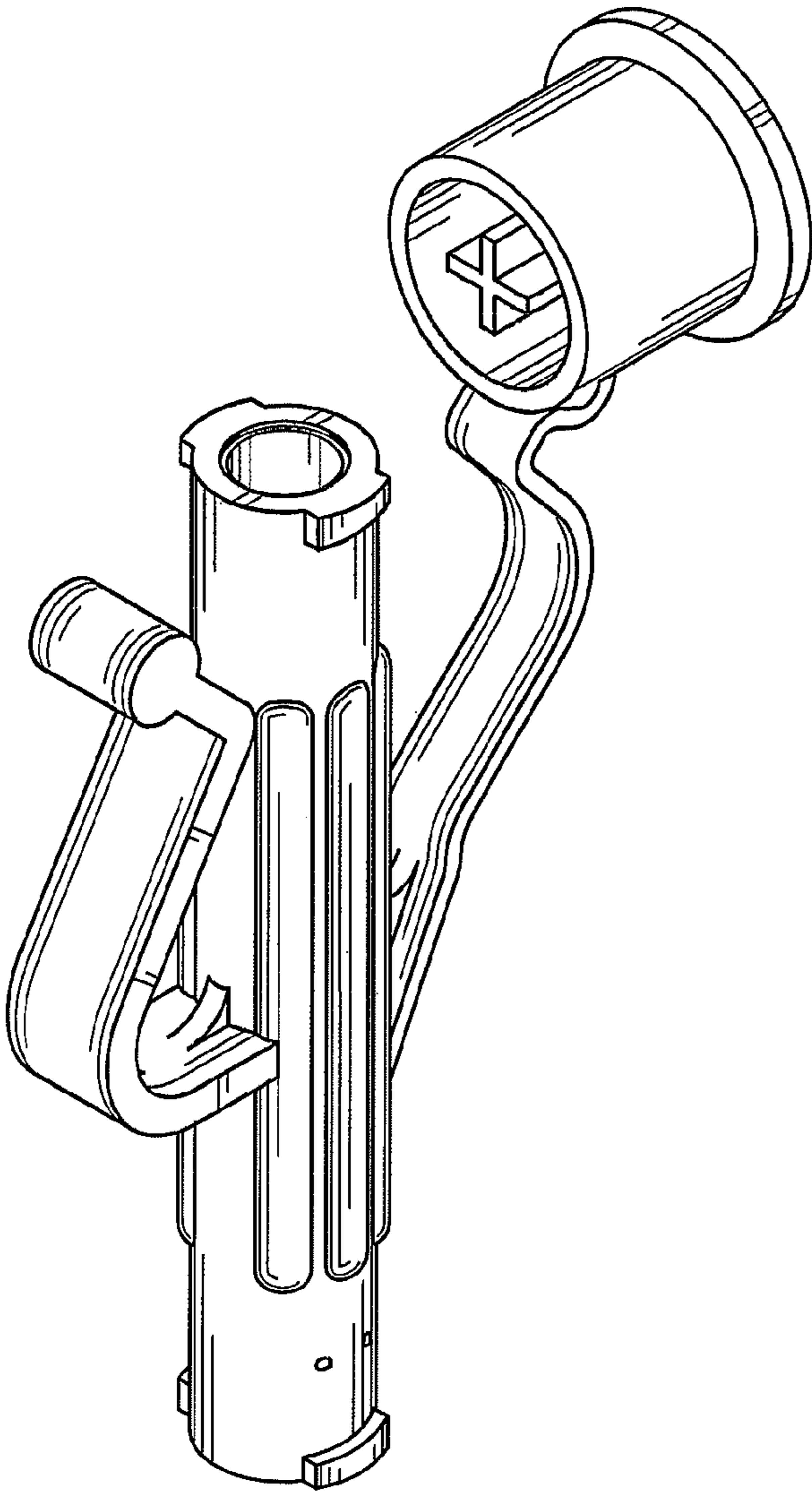


FIG. 1

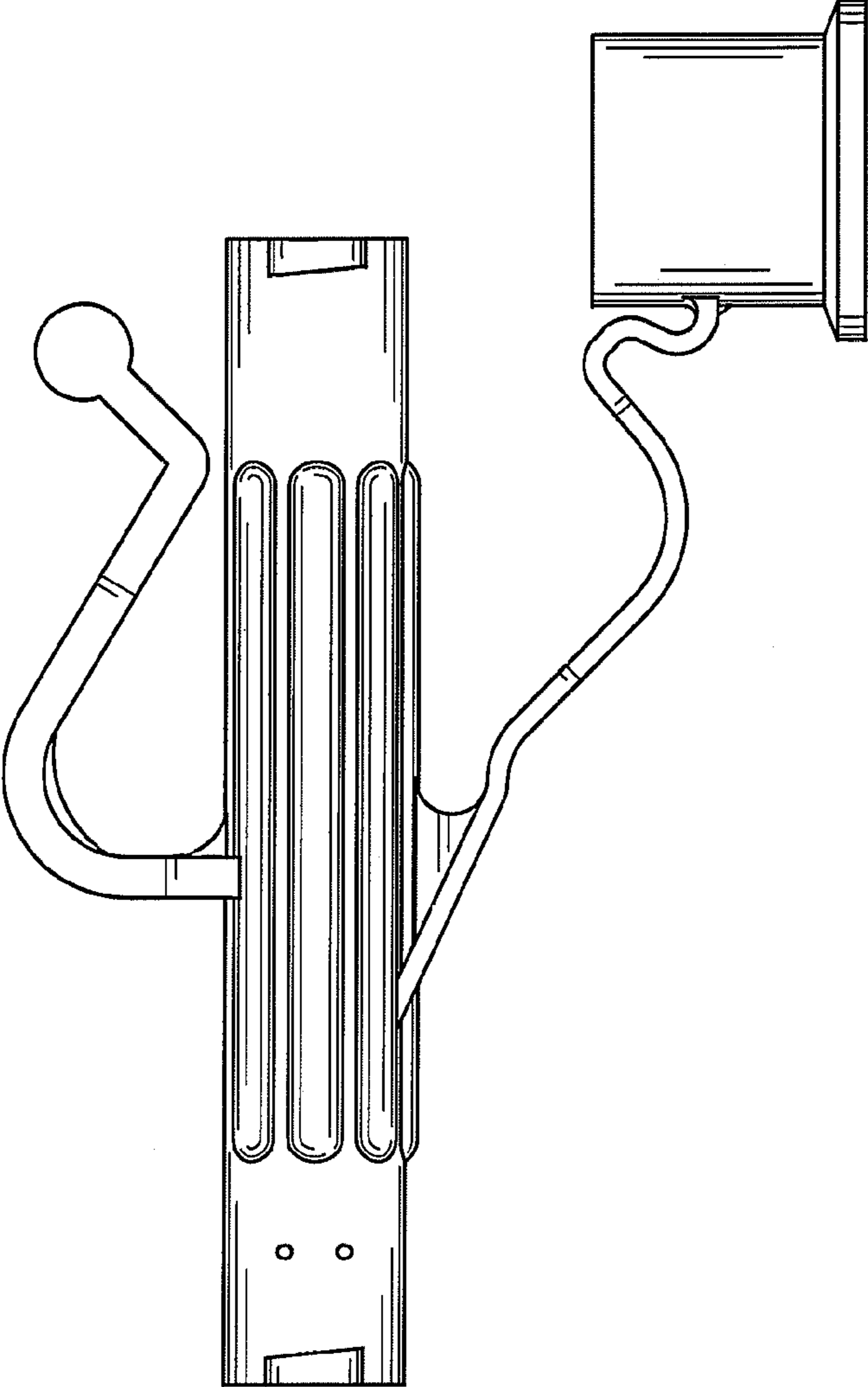


FIG.2

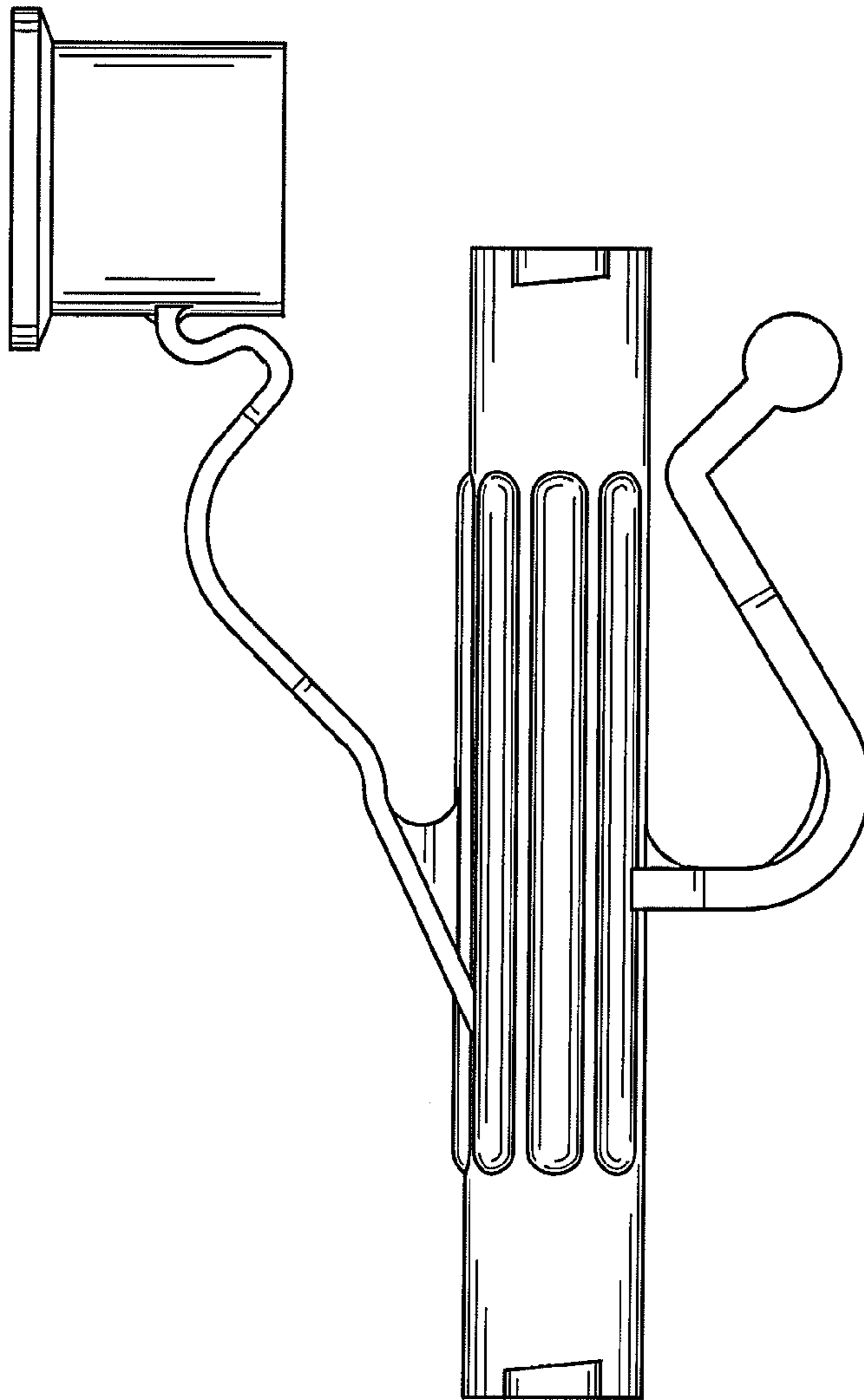
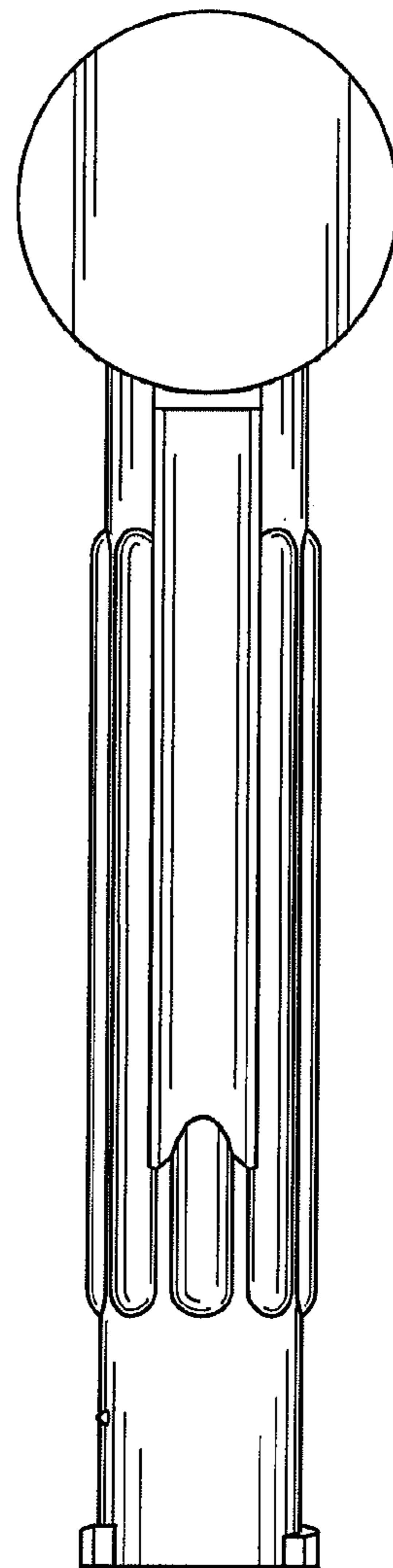
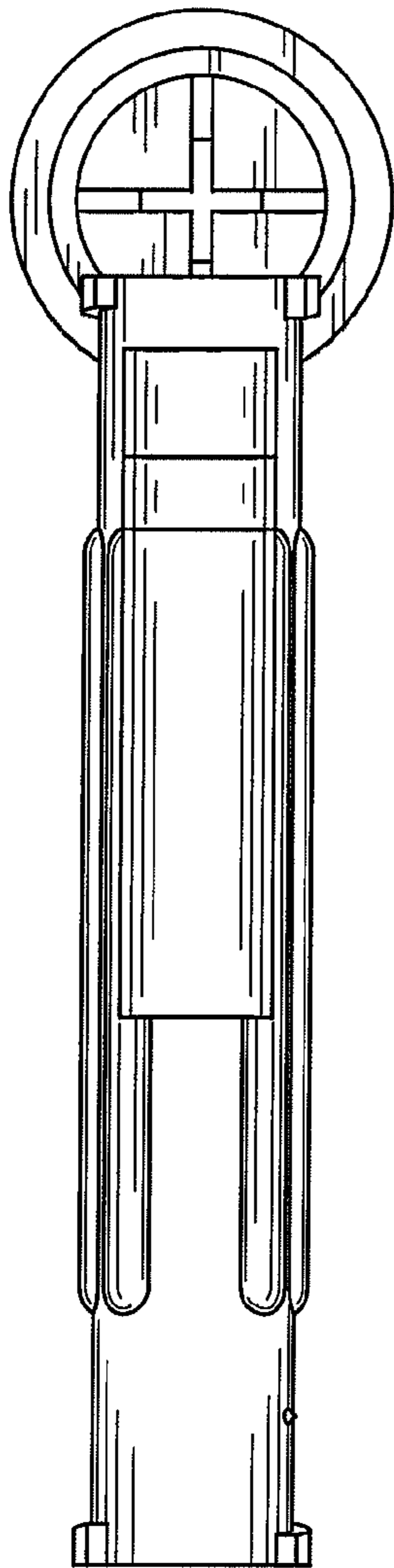


FIG.3

8 ←



8 ←

FIG.4

FIG.5

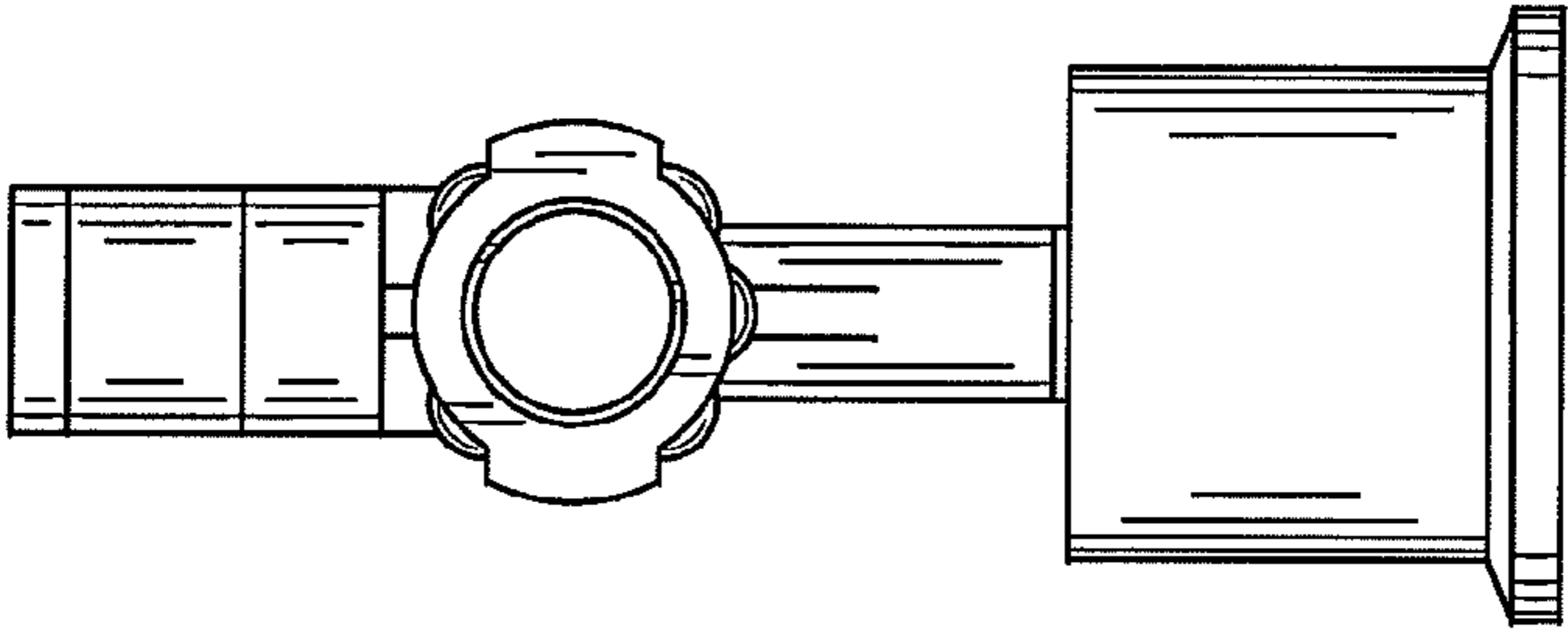


FIG. 6

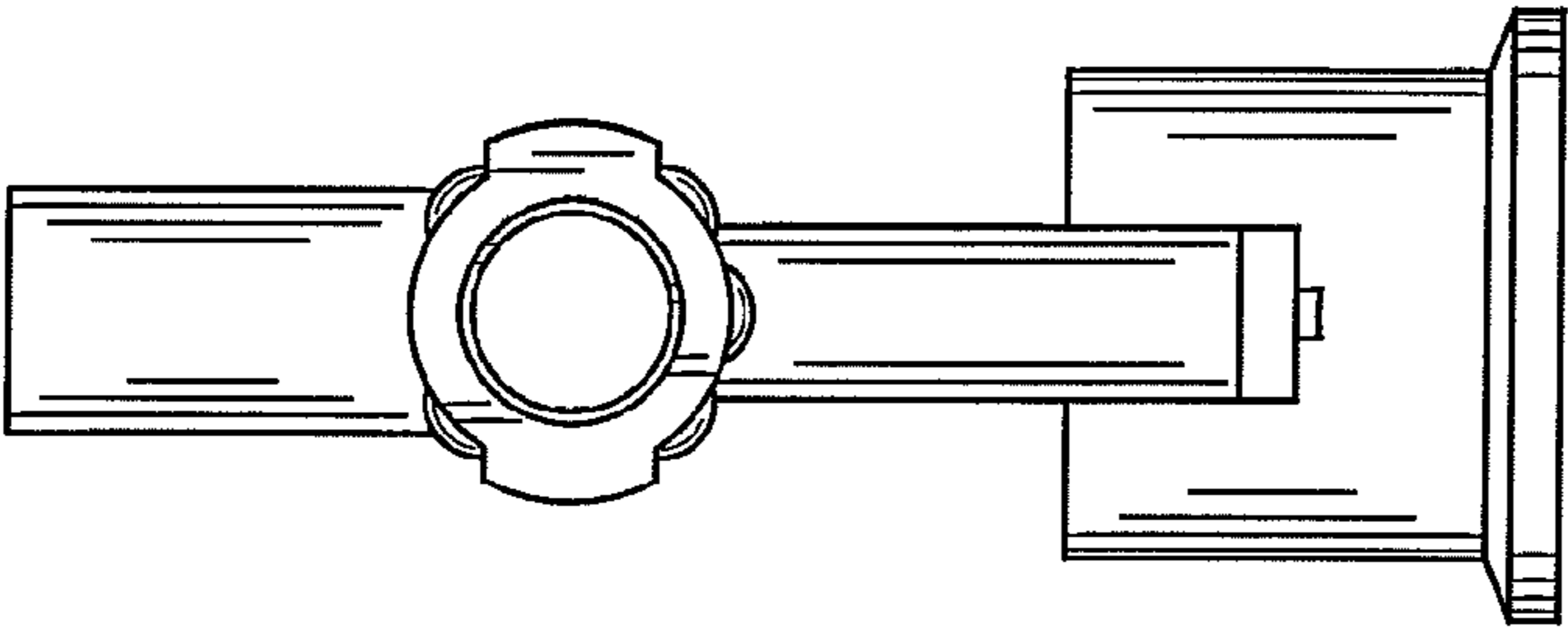


FIG. 7

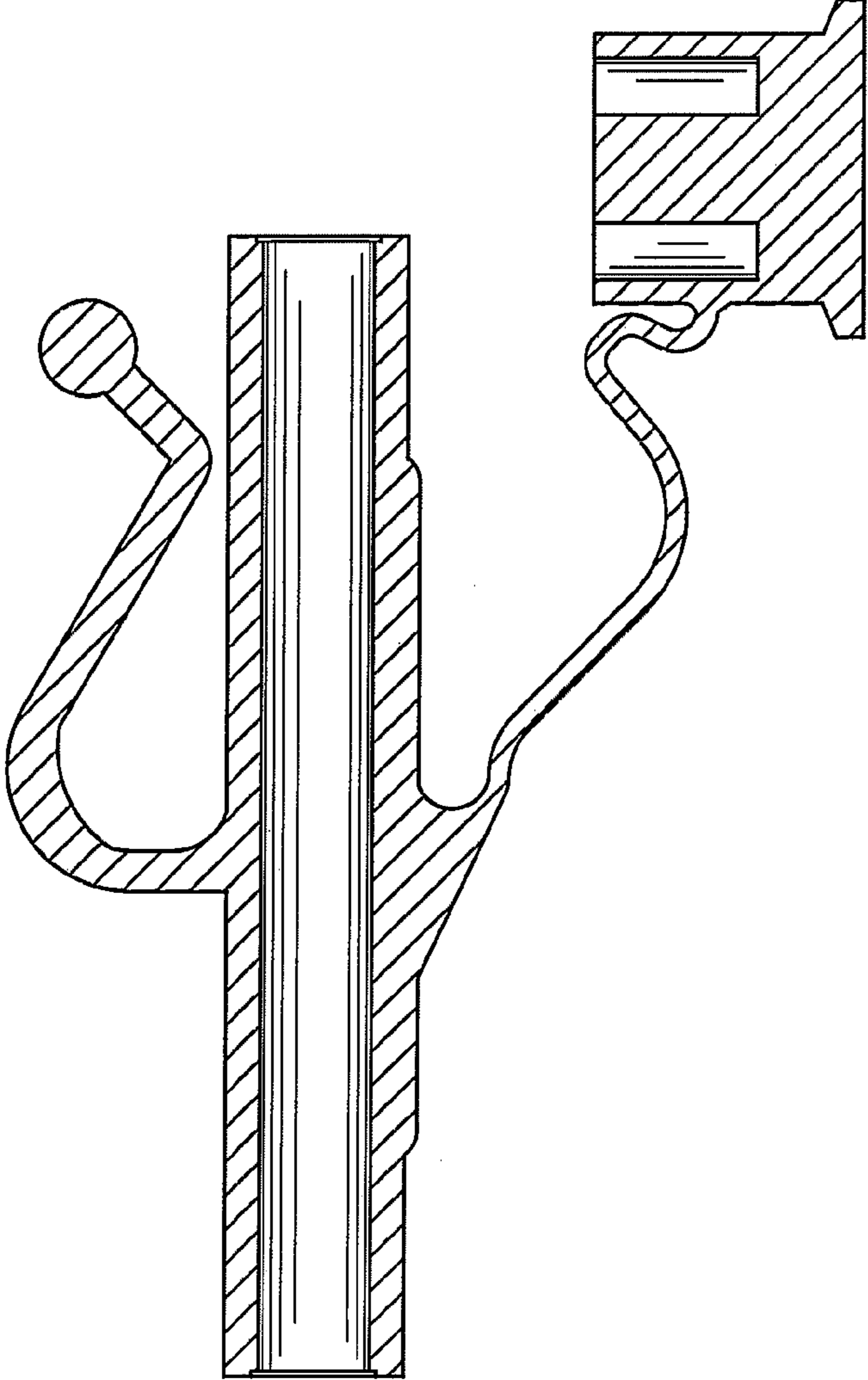


FIG.8

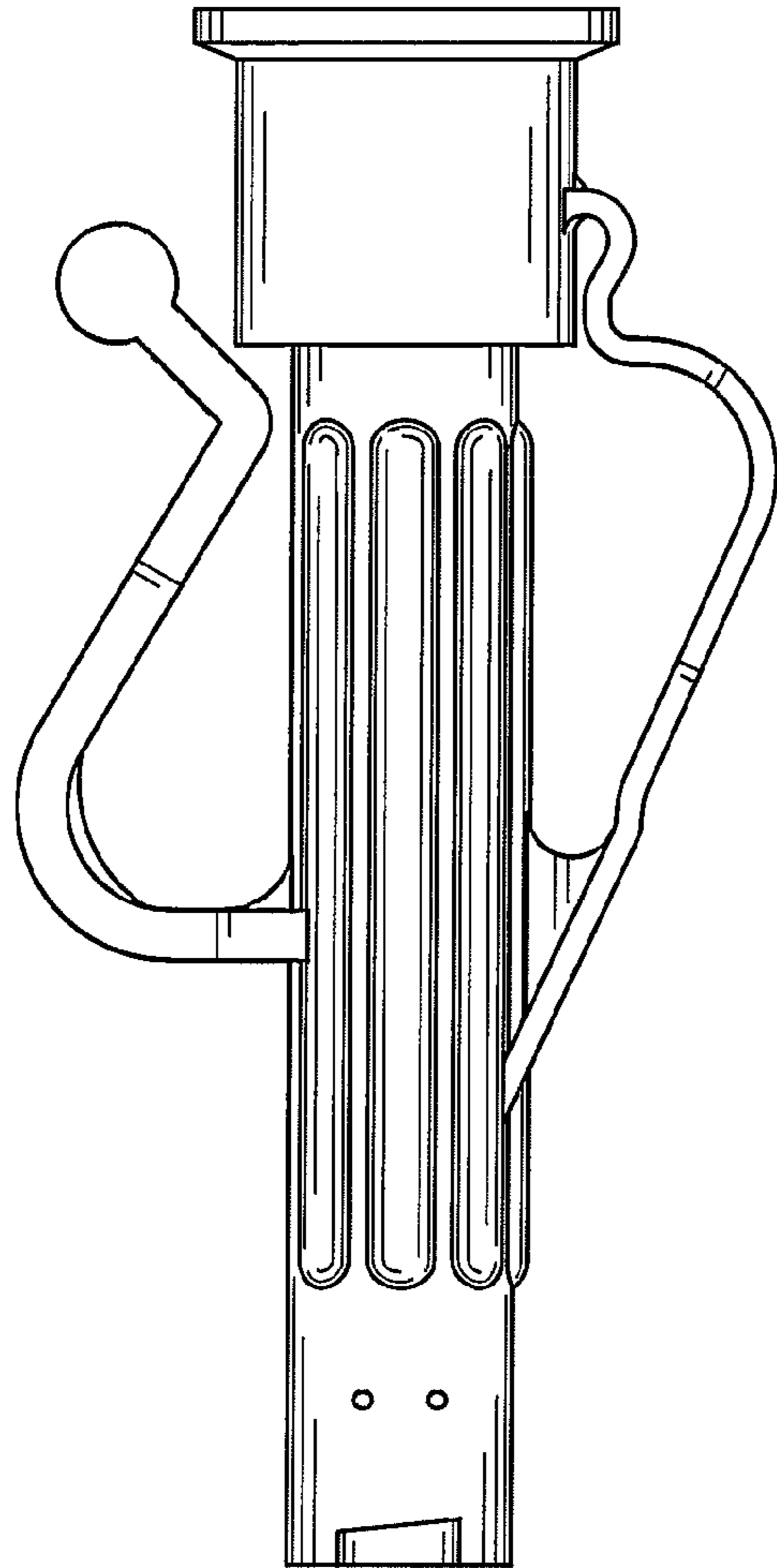


FIG.9