



US00D707823S

(12) **United States Design Patent**
Scherbing

(10) **Patent No.:** **US D707,823 S**
(45) **Date of Patent:** **** Jun. 24, 2014**

- (54) **INCUBATOR HOUSING**
- (71) Applicant: **Miller Manufacturing Company**,
Eagan, MN (US)
- (72) Inventor: **Gerald Scherbing**, Minneapolis, MN
(US)
- (73) Assignee: **Miller Manufacturing Company**,
Eagan, MN (US)
- (**) Term: **14 Years**
- (21) Appl. No.: **29/451,204**
- (22) Filed: **Mar. 28, 2013**
- (51) **LOC (10) Cl.** **24-01**
- (52) **U.S. Cl.**
USPC **D24/163; D30/199**
- (58) **Field of Classification Search**
USPC D24/163, 164, 185, 202, 209, 231;
600/21, 22; 119/311, 316, 317;
128/202.12, 205.26; D30/108, 117,
D30/199, 109, 119
See application file for complete search history.

D637,292 S * 5/2011 Hudson D24/163
7,966,973 B1 * 6/2011 Adragna et al. 119/311
D655,870 S * 3/2012 Carlin, Jr. D30/117

OTHER PUBLICATIONS

GQF Mfg. Co., 2362N Circulated Air Hova-Bator, copyright 2009, 1 page.
GQF Mfg. Co., 1602N Thermal Air Hova-Bator, copyright 2009, 1 page.
GQF Mfg. Co., Hova-Bator, copyright 2009, 1 page.

* cited by examiner

Primary Examiner — Anhdao Doan

(74) *Attorney, Agent, or Firm* — Merchant & Gould P.C.

(57) **CLAIM**

The ornamental design for an incubator housing, as shown.

DESCRIPTION

FIG. 1 is a perspective view of an outside of the incubator housing.
FIG. 2 is a perspective view of an inside of the incubator housing of FIG. 1.
FIG. 3 is an inside view of the incubator housing of FIG. 1.
FIG. 4 is an outside view of the incubator housing of FIG. 1.
FIG. 5 is a side view of the outside of the incubator housing of FIG. 1; and,
FIG. 6 is another side view of the outside of the incubator housing of FIG. 1.

(56) **References Cited**

U.S. PATENT DOCUMENTS

D250,355 S * 11/1978 Marsh D30/117
D557,864 S * 12/2007 Den Boer D30/108

1 Claim, 5 Drawing Sheets

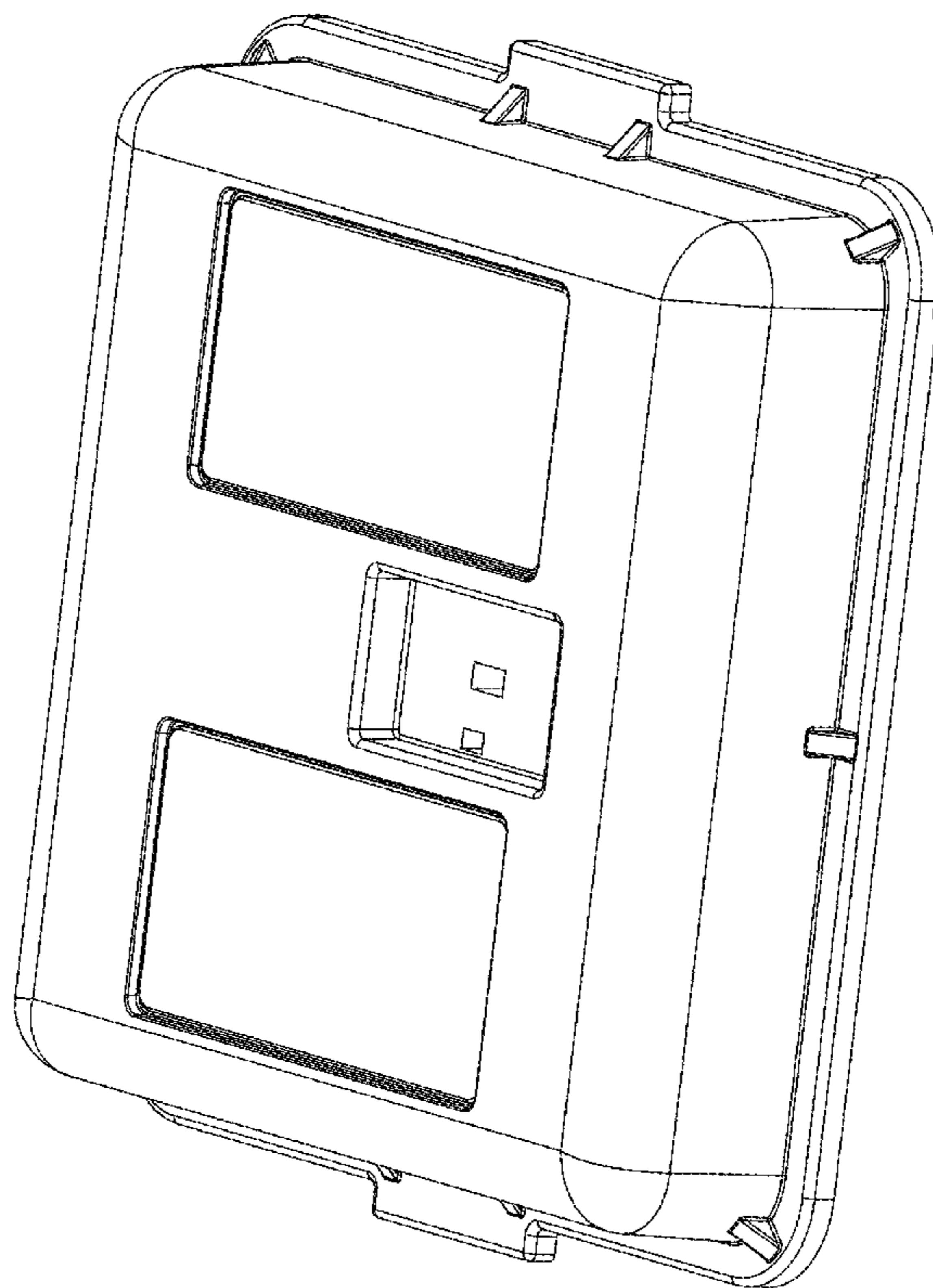


FIG. 1

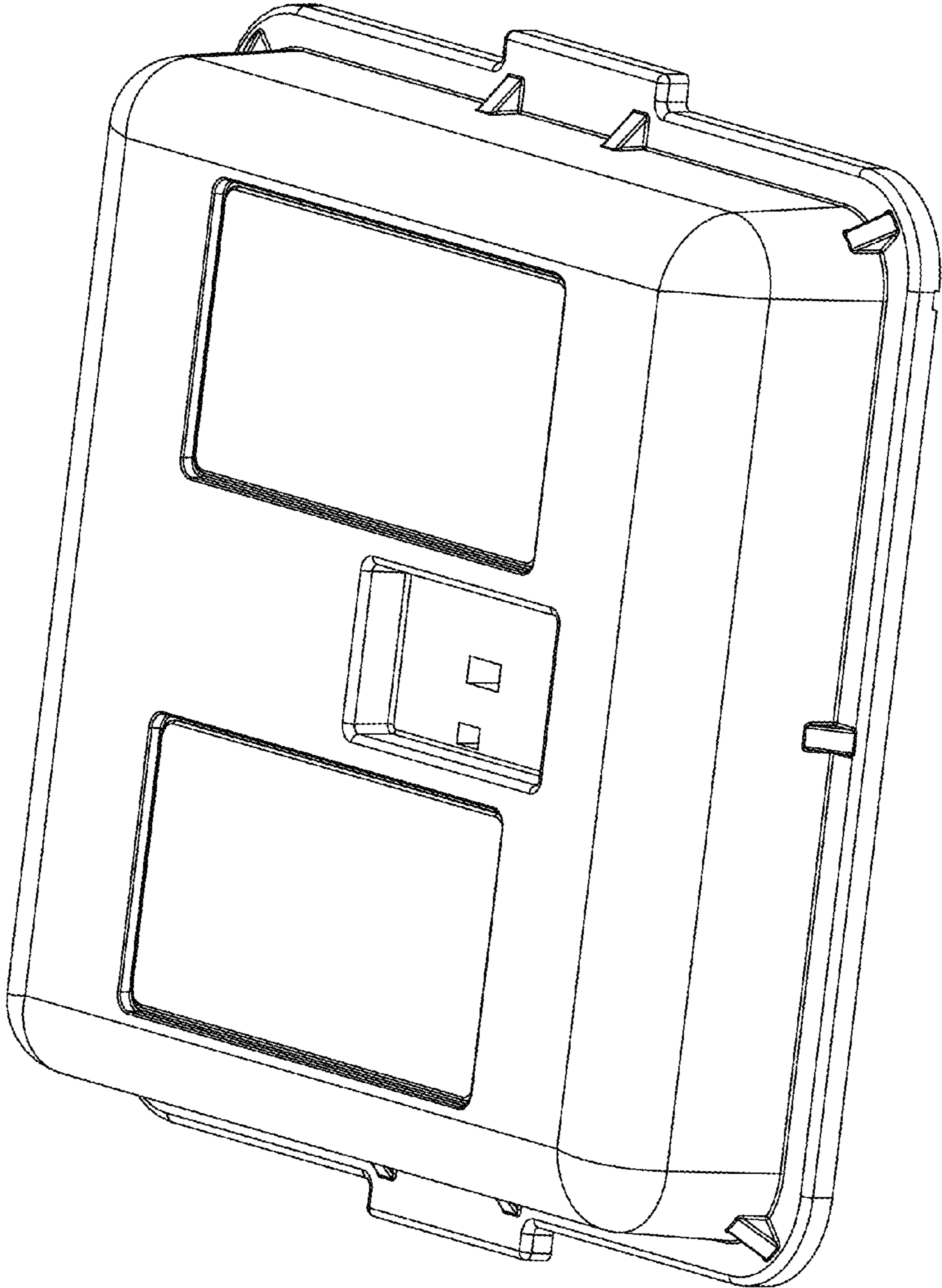


FIG. 2

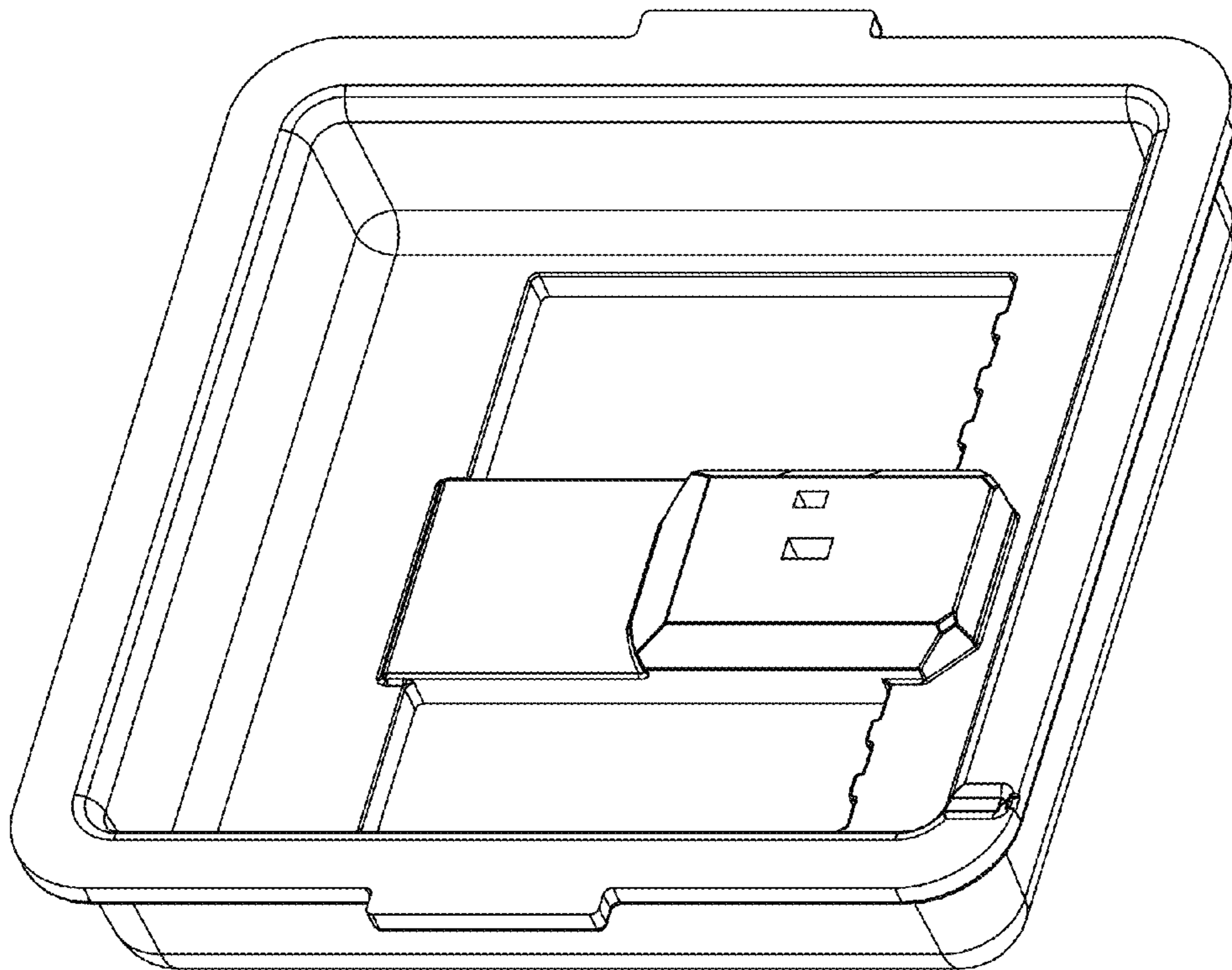


FIG. 3

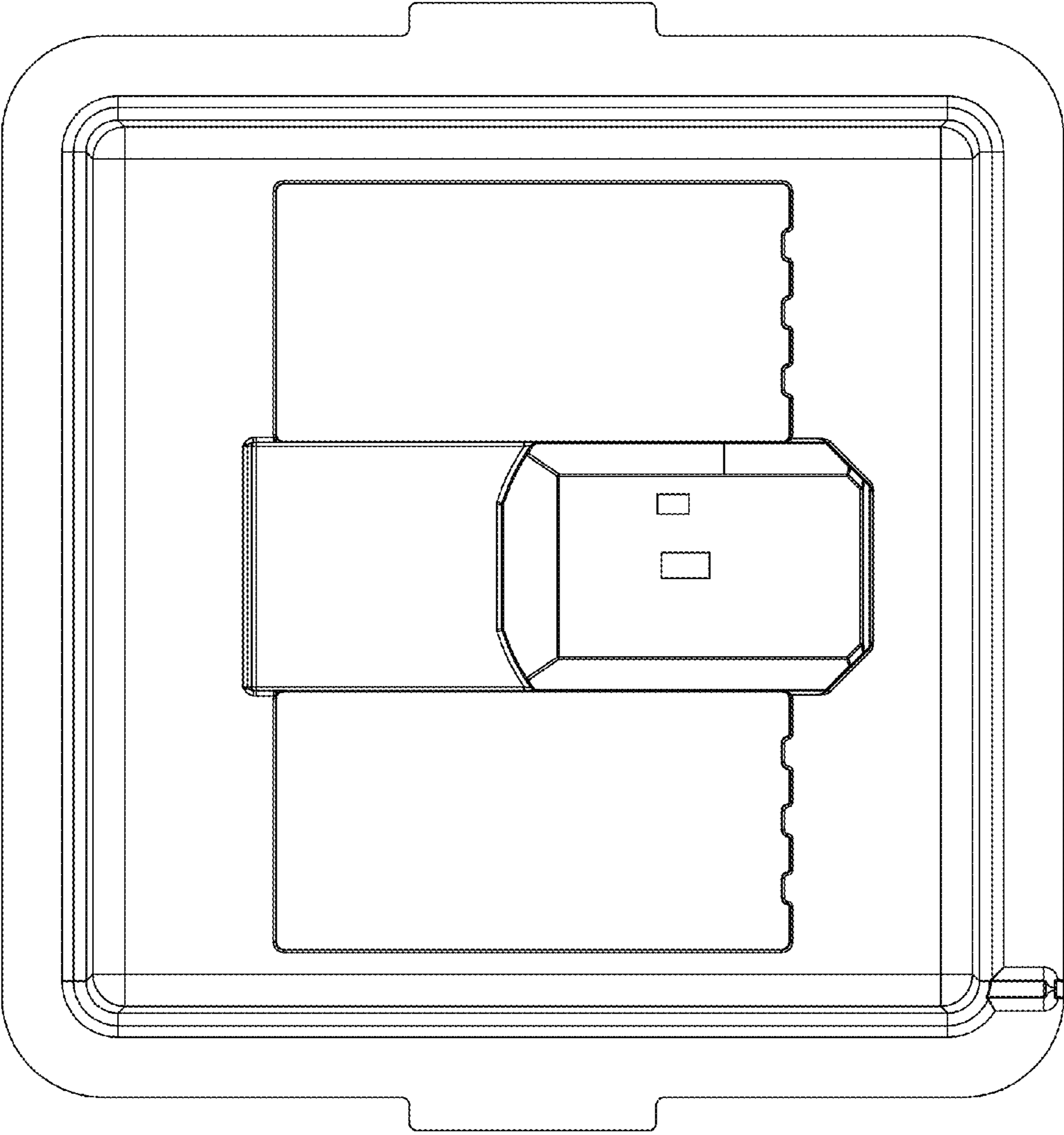


FIG. 4

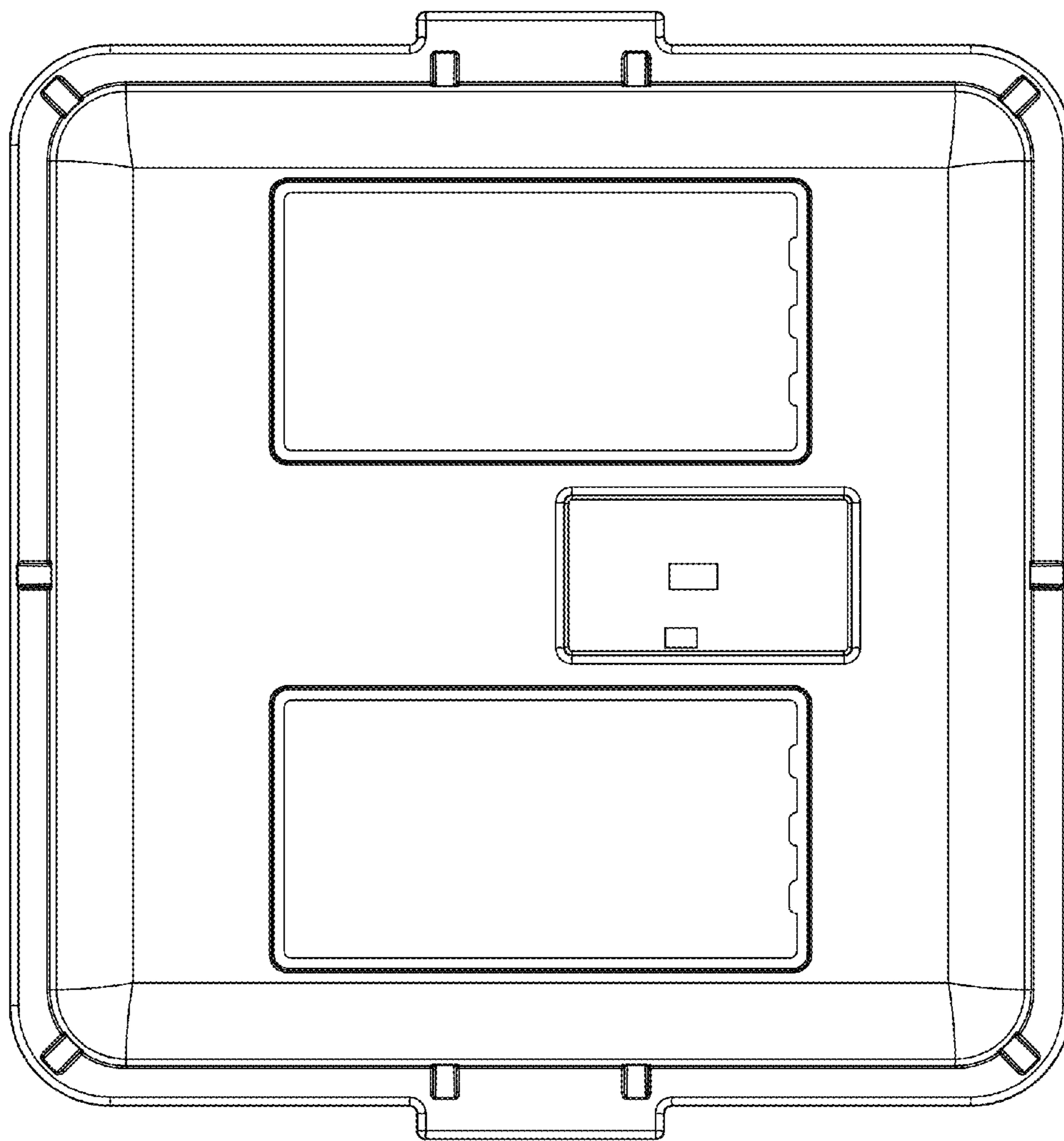


FIG. 5

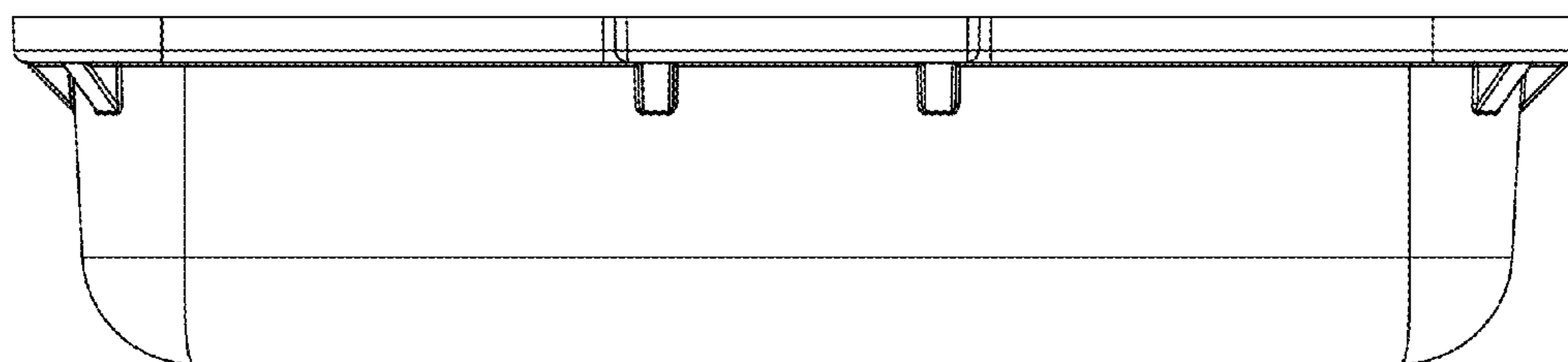


FIG. 6

