



US00D707821S

(12) **United States Design Patent**
Doraiswamy et al.

(10) **Patent No.:** **US D707,821 S**
(45) **Date of Patent:** **** Jun. 24, 2014**

(54) **CONTAINER FOR INTRAOCULAR LENS**

FOREIGN PATENT DOCUMENTS

(71) Applicant: **Santen Pharmaceutical Co., Ltd.**,
Osaka (JP)

JP 1102719 1/2001

(72) Inventors: **Anand Doraiswamy**, Goleta, CA (US);
Jensen Buck, Goleta, CA (US);
Manthan Patel, Goleta, CA (US);
Carolyn Finney, Goleta, CA (US)

OTHER PUBLICATIONS

OHIM Design No. 001159941-0003.
OHIM Design No. 000493044-0001.
Non-Patent Literature Erca Societte Anonye, Jun. 21, 2002.
Russian Non-Patent Literature, Sep. 10, 2009.
Non-Patent Literature, Official Action, May 30, 2013.
Russian Non-Patent Literature, May 30, 2013.

(73) Assignee: **Santen Pharmaceutical Co., Ltd.**,
Osaka (JP)

* cited by examiner

(**) Term: **14 Years**

Primary Examiner — Wan Laymon

(21) Appl. No.: **29/438,505**

(74) *Attorney, Agent, or Firm* — Whyte Hirschboeck Dudek
S.C.; Grady J. Frenchick

(22) Filed: **Nov. 30, 2012**

(51) **LOC (10) Cl.** **24-02**

(52) **U.S. Cl.**

USPC **D24/150**; D24/128

(58) **Field of Classification Search**

USPC D24/150, 157, 175, 218; D3/201,
D3/203.1, 203.7; D9/414, 428, 424, 425;
606/107; 623/6.11, 6.12; 206/5.1, 205,
206/308.1, 436, 438

See application file for complete search history.

(57) **CLAIM**

The ornamental design for a container for intraocular lens, as shown and described.

DESCRIPTION

FIG. 1 is a front view of a first embodiment of a container for intraocular lens showing our new design;

FIG. 2 is a rear view thereof;

FIG. 3 is a left side view thereof;

FIG. 4 is a top plan view thereof;

FIG. 5 is a bottom view thereof;

FIG. 6 is a perspective view thereof;

FIG. 7 is a sectional view thereof taken on line 7-7 of FIG. 1;

FIG. 8 is a sectional view thereof taken on line 8-8 of FIG. 3; and,

FIG. 9 is a reference perspective view thereof showing a condition in use.

The Broken line showings of FIG. 9 are environmental only and not part of the claimed design.

A right side view is omitted because the right side view is symmetrical to the left side view.

(56) **References Cited**

U.S. PATENT DOCUMENTS

4,257,521	A *	3/1981	Poler	206/5.1
4,697,697	A *	10/1987	Graham et al.	206/5.1
5,019,084	A *	5/1991	Aysta et al.	606/107
D358,251	S	5/1995	Bettis	
D406,396	S	3/1999	Granwehr	
6,183,513	B1 *	2/2001	Guenthner et al.	623/6.12
D471,356	S	3/2003	Eaton	
6,884,261	B2 *	4/2005	Zadno-Azizi et al.	623/6.12
8,475,526	B2 *	7/2013	Pynson	623/6.12
2009/0057167	A1 *	3/2009	Rathert	206/205
2011/0245840	A1	10/2011	Seyboth et al.	
2012/0289969	A1 *	11/2012	Seyboth et al.	606/107

1 Claim, 9 Drawing Sheets

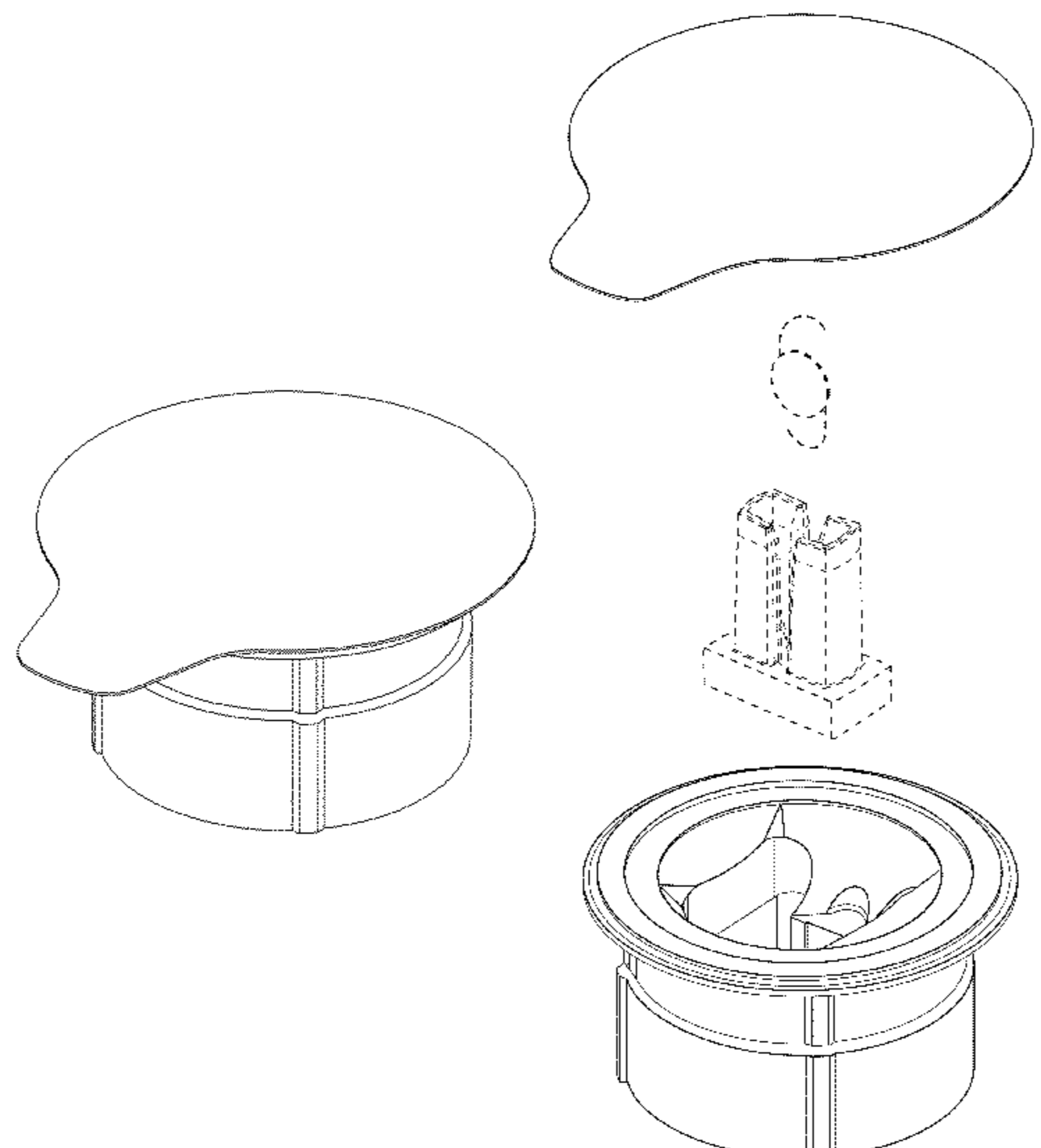
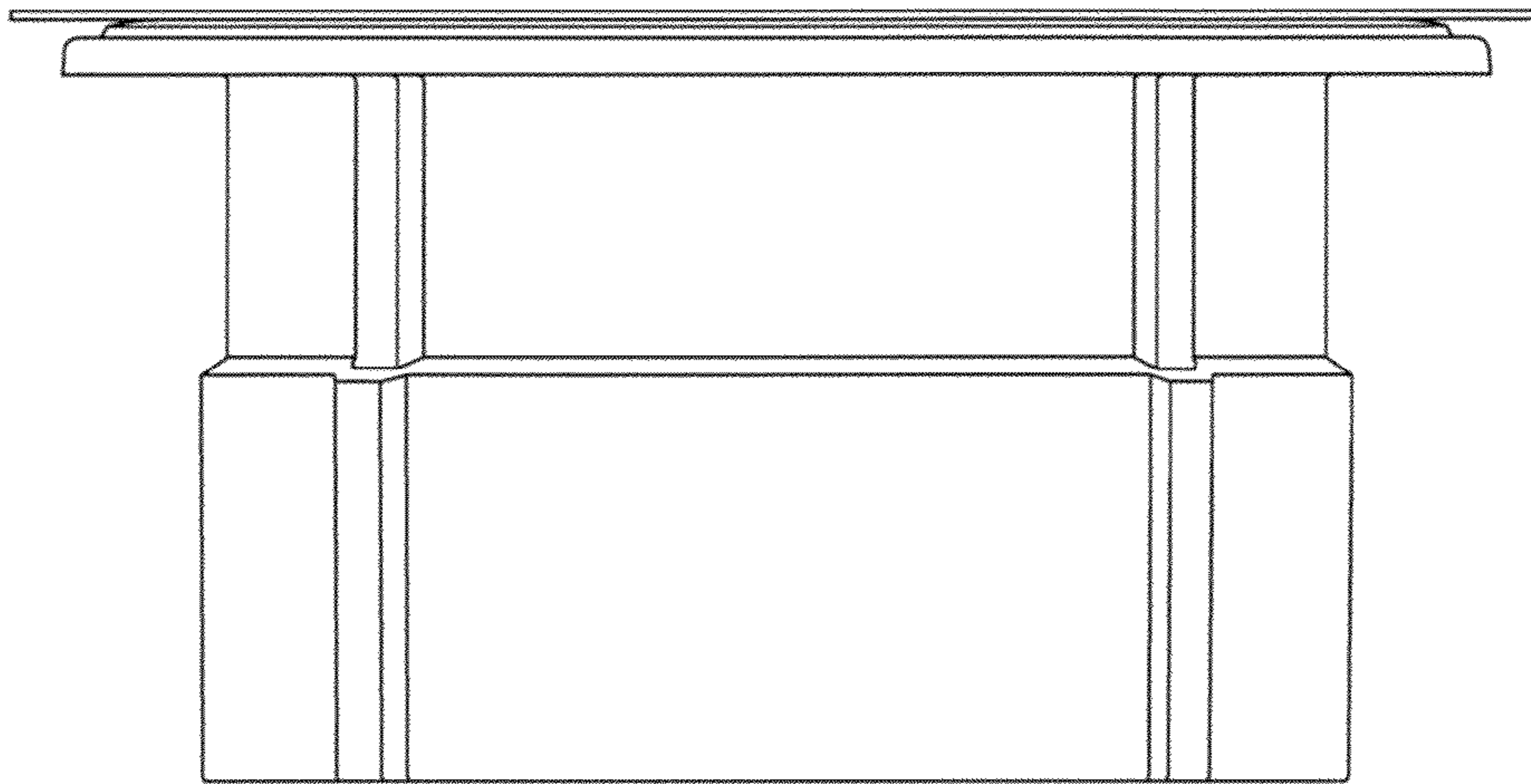


Fig.1

7 ←



7 ←

Fig.2

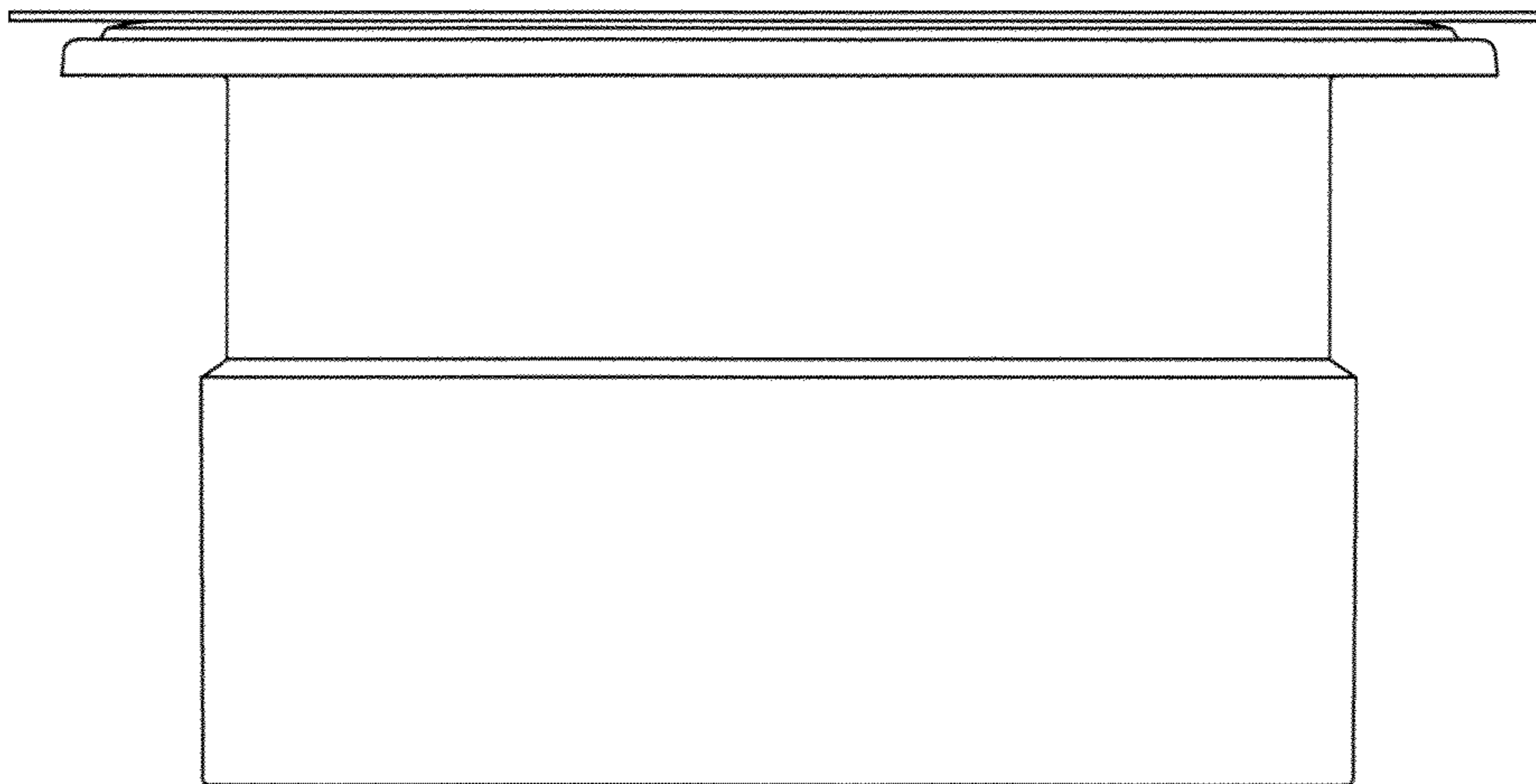


Fig.3

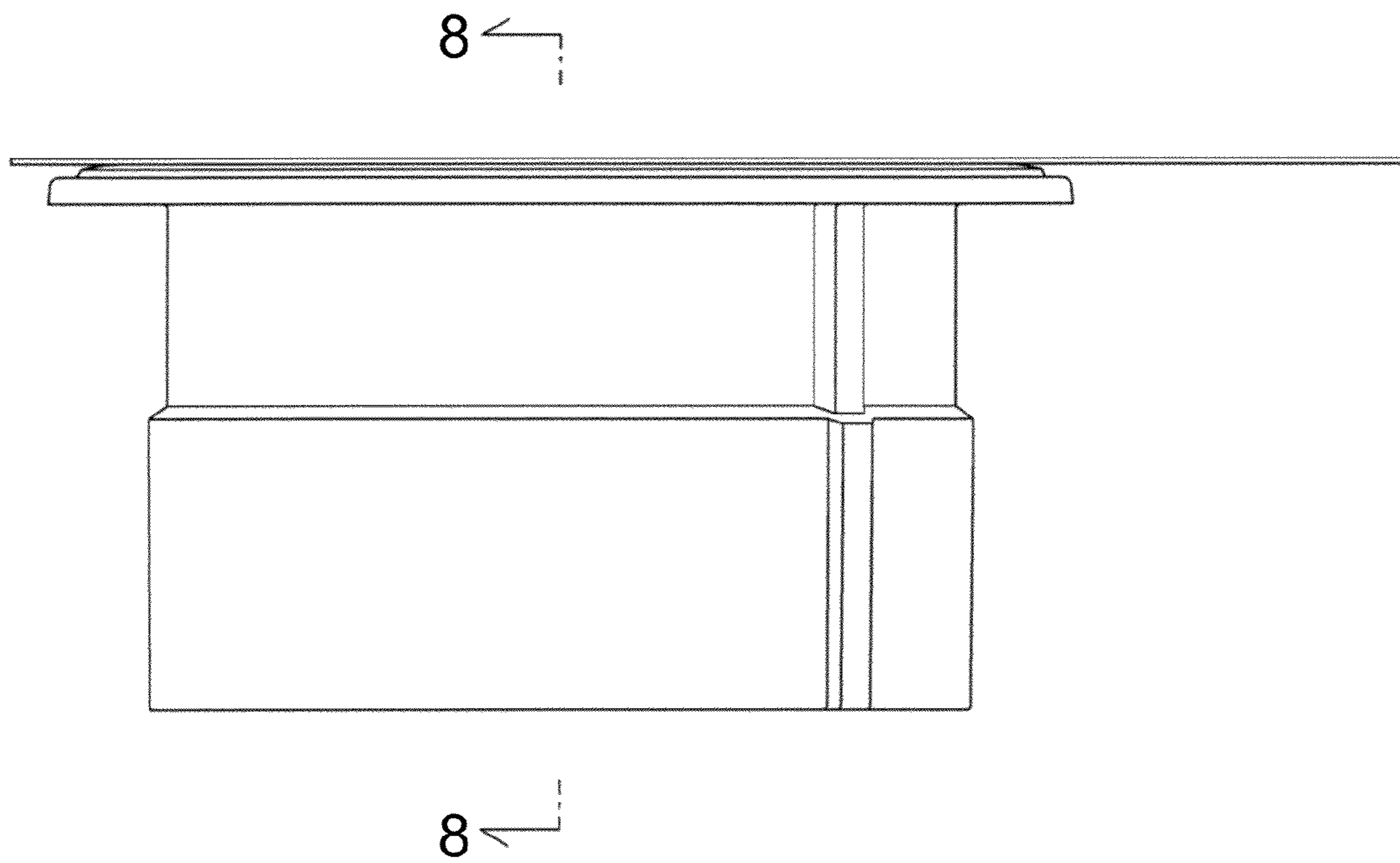


Fig.4

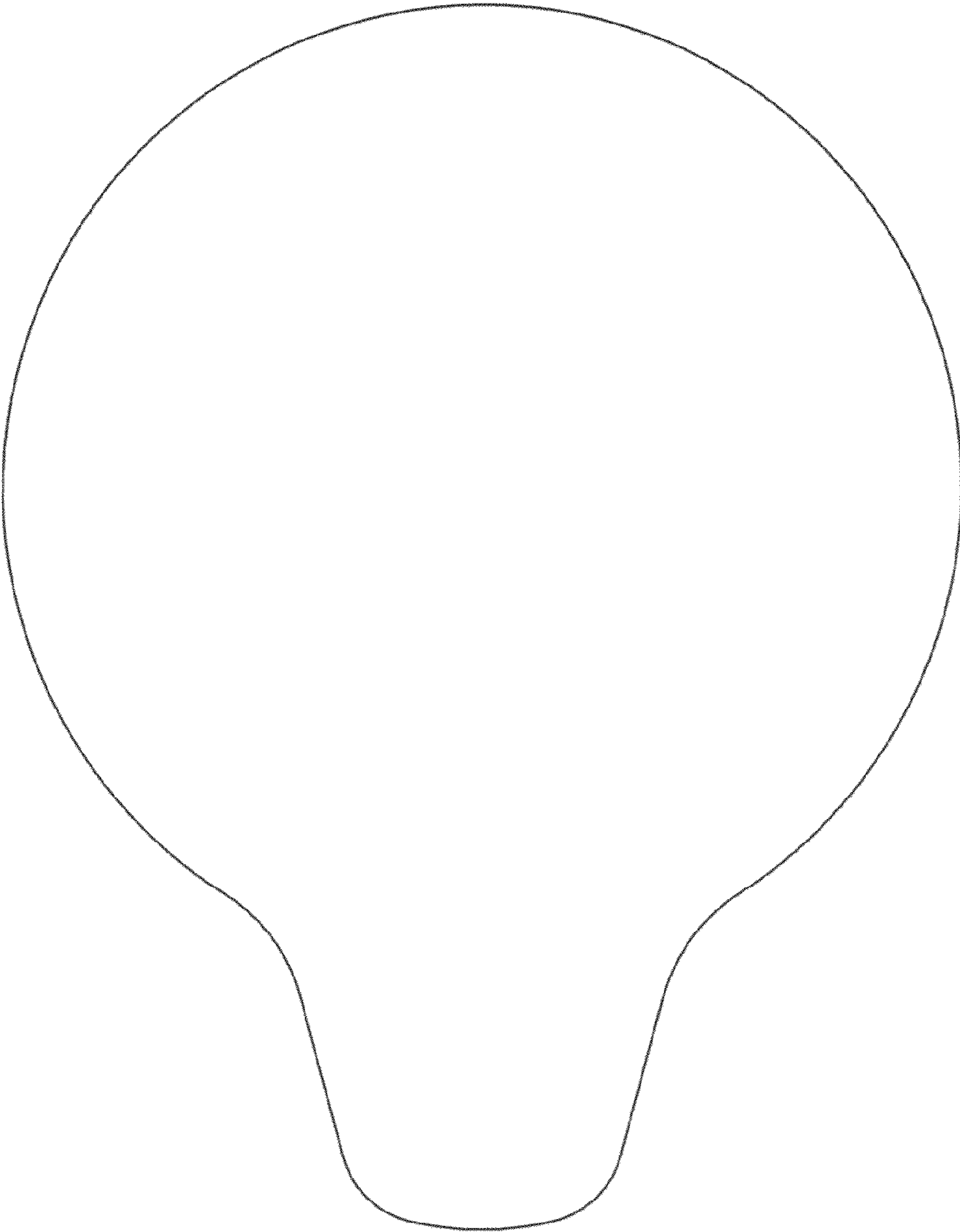


Fig.5

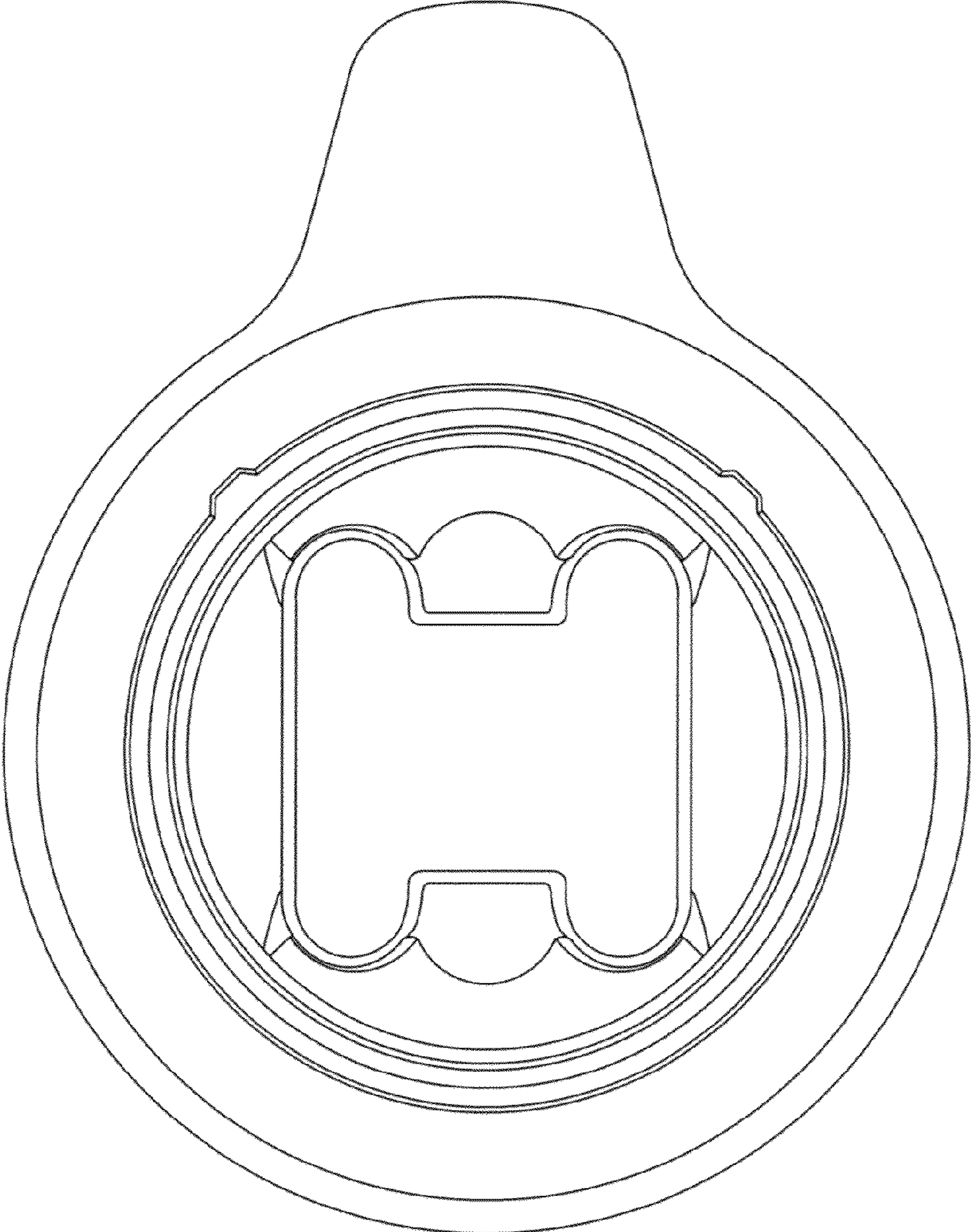


Fig.6

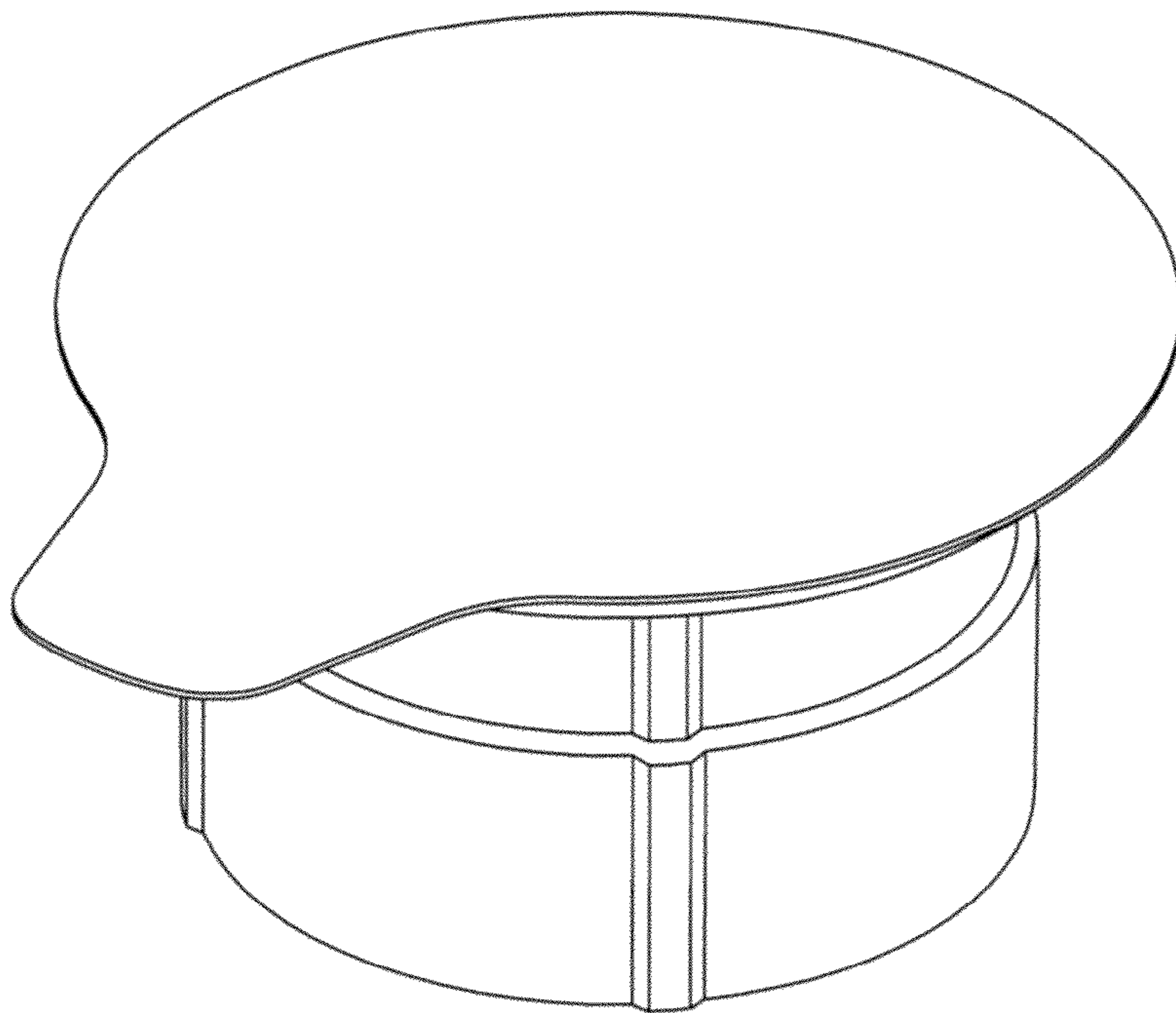


Fig.7

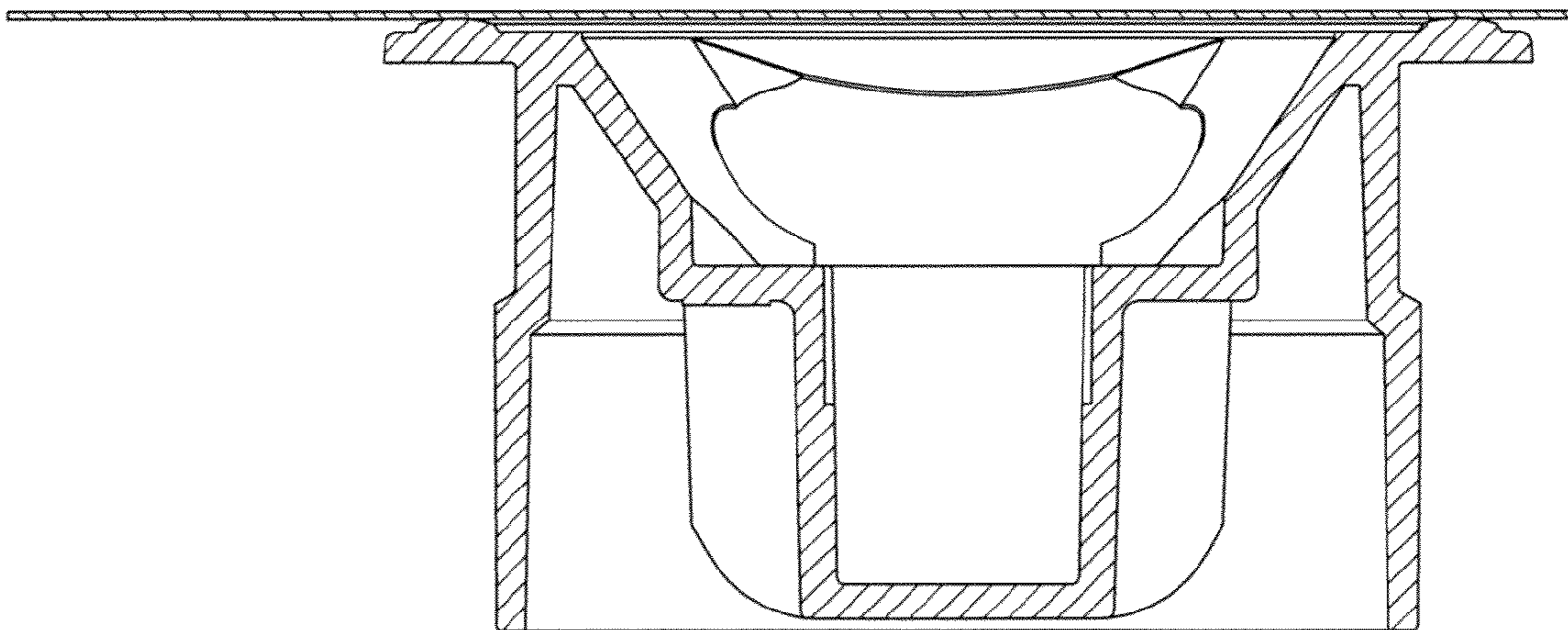


Fig.8

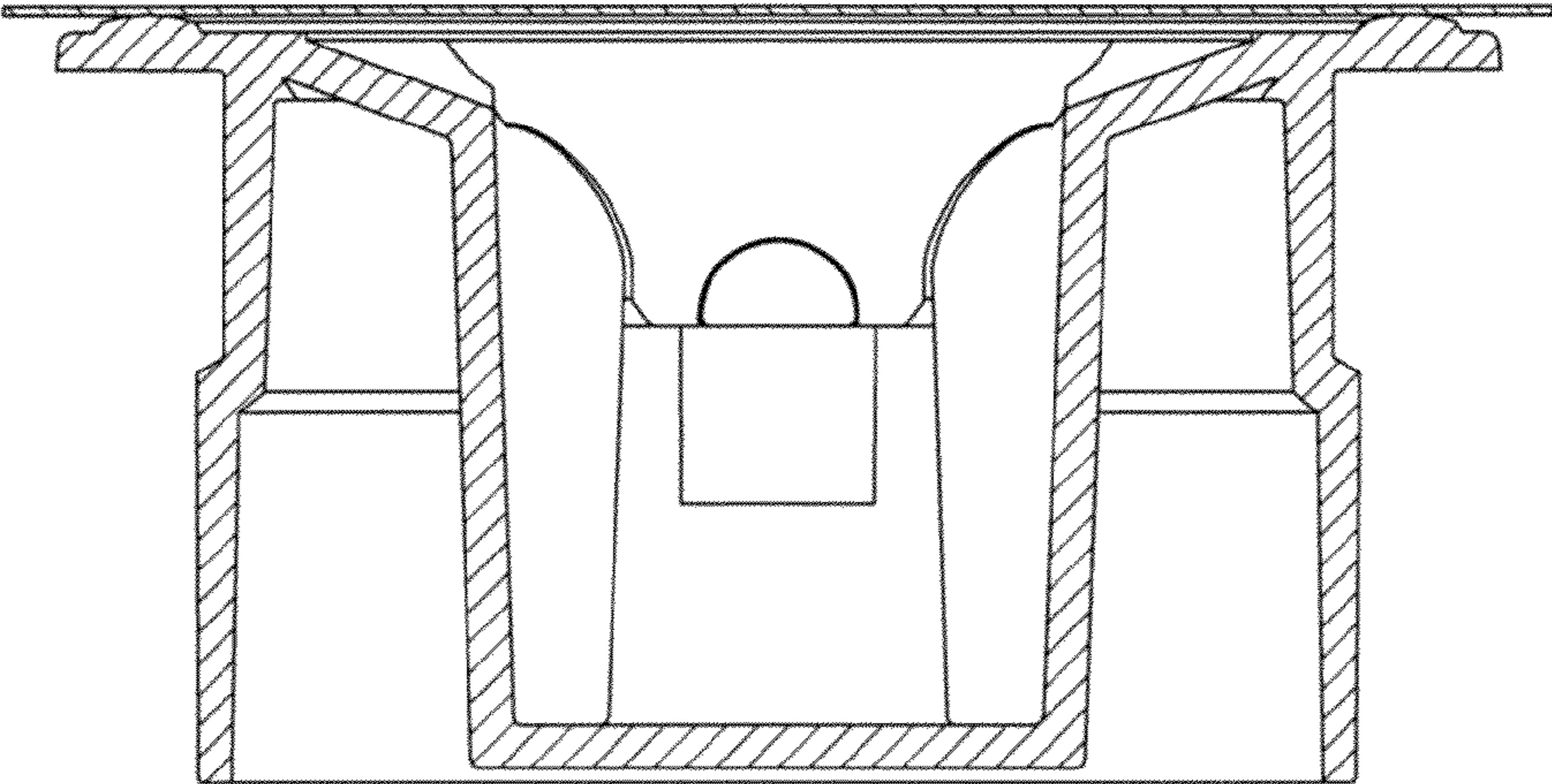


Fig.9

