



US00D707820S

(12) **United States Design Patent**
Cardinale et al.

(10) **Patent No.:** **US D707,820 S**
(45) **Date of Patent:** **** Jun. 24, 2014**

(54) **CONTOURED TIP**
(71) Applicant: **Ethicon, Inc.**, Somerville, NJ (US)
(72) Inventors: **Michael Cardinale**, Morristown, NJ (US); **Doug Souls**, Andover, NJ (US); **Simon Cohn**, Lebanon, NJ (US); **Jonathan B. Gabel**, Randolph, NJ (US); **Matthew D. Daniel**, Ann Arbor, MI (US); **Danial Paul Ferreira**, Milford, CT (US)

5,470,010 A 11/1995 Rothfuss et al.
5,484,095 A 1/1996 Green et al.
5,507,797 A 4/1996 Suzuki et al.
5,582,616 A 12/1996 Bolduc et al.
5,601,573 A 2/1997 Fogelberg et al.
5,607,436 A 3/1997 Pratt et al.
5,624,453 A 4/1997 Ahmed
5,676,674 A 10/1997 Bolanos et al.
5,810,882 A 9/1998 Bolduc et al.
5,830,221 A 11/1998 Stein et al.
5,833,700 A 11/1998 Fogelberg et al.
5,921,997 A 7/1999 Fogelberg et al.
6,258,105 B1 7/2001 Hart et al.
6,261,302 B1 * 7/2001 Voegele et al. 606/151

(73) Assignee: **Ethicon, Inc.**, Somerville, NJ (US)

(Continued)

(**) Term: **14 Years**

Primary Examiner — Wan Laymon

(21) Appl. No.: **29/447,579**

(74) *Attorney, Agent, or Firm* — Doherty IP Law Group LLC

(22) Filed: **Mar. 5, 2013**

(51) **LOC (10) Cl.** **24-02**

(52) **U.S. Cl.**
USPC **D24/145; D24/127**

(58) **Field of Classification Search**
USPC **D24/145, 108, 127–128, 140; 606/23, 606/59, 139, 142–143, 75, 145, 151, 153, 606/157, 185**
See application file for complete search history.

(57) **CLAIM**

The ornamental design for a contoured tip, as shown and described.

DESCRIPTION

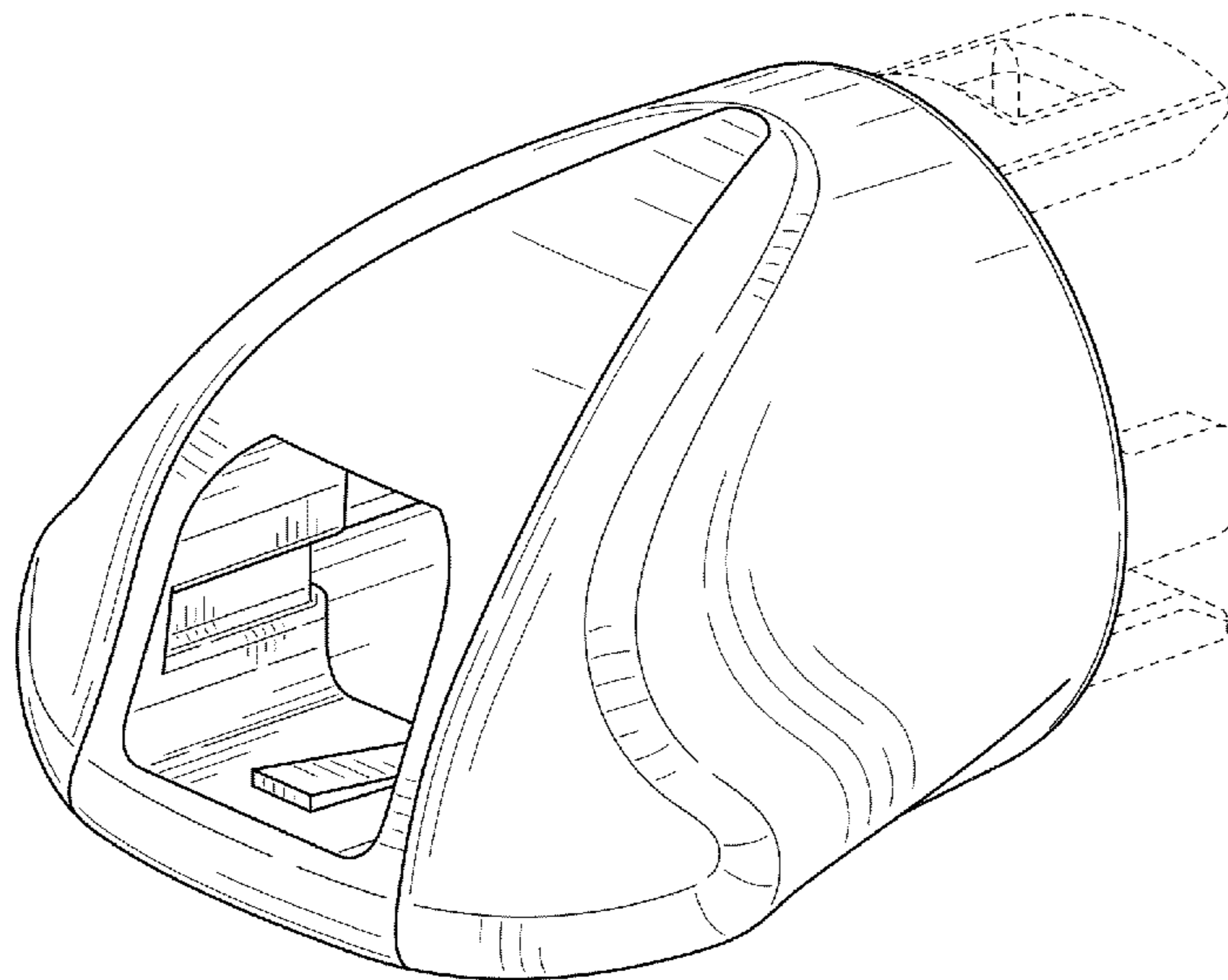
FIG. 1 is a perspective view of a contoured tip, showing our new design;
FIG. 2 is a front elevation view of the contoured tip shown in FIG. 1;
FIG. 3 is a rear elevation view of the contoured tip shown in FIG. 1;
FIG. 4 is a left side view of the contoured tip shown in FIG. 1;
FIG. 5 is a right side view of the contoured tip shown in FIG. 1;
FIG. 6 is a top plan view of the contoured tip shown in FIG. 1; and,
FIG. 7 is a bottom plan view of the contoured tip shown in FIG. 1.
The broken lines in the figures are included for the purpose of illustrating portions of the article form no part of the claimed design.

(56) **References Cited**

U.S. PATENT DOCUMENTS

3,740,994 A 6/1973 DeCarlo, Jr.
4,196,836 A 4/1980 Becht
4,325,376 A 4/1982 Klieman
4,471,780 A 9/1984 Menges et al.
4,478,220 A 10/1984 DiGiovanni et al.
4,921,326 A 5/1990 Wild et al.
5,104,394 A 4/1992 Knoepfler
5,174,487 A 12/1992 Rothfuss et al.
5,203,864 A 4/1993 Phillips
5,290,297 A 3/1994 Phillips
5,395,381 A 3/1995 Green et al.

1 Claim, 4 Drawing Sheets



(56)

References Cited

U.S. PATENT DOCUMENTS

6,334,446	B1	1/2002	Beyar	2002/0095181	A1	7/2002	Beyar
6,425,900	B1	7/2002	Knodel et al.	2002/0183762	A1	12/2002	Anderson et al.
6,779,701	B2	8/2004	Bailly	2005/0139629	A1	6/2005	Schwemberger et al.
7,172,605	B2	2/2007	Berreklouw	2007/0043384	A1	2/2007	Ortiz et al.
7,442,167	B2	10/2008	Dunki-Jacobs et al.	2007/0191868	A1	8/2007	Theroux et al.
7,455,208	B2	11/2008	Wales et al.	2009/0299382	A1	12/2009	Zargiebel
7,488,334	B2 *	2/2009	Jugenheimer et al. 606/142	2010/0057102	A1	3/2010	Sorrentino et al.
7,569,063	B2 *	8/2009	Bailly et al. 606/143	2010/0234687	A1	9/2010	Azarbarzin et al.
7,648,514	B1	1/2010	Nakao	2010/0292710	A1	11/2010	Daniel et al.
7,666,193	B2	2/2010	Starksen et al.	2010/0292712	A1	11/2010	Nering et al.
7,766,207	B2	8/2010	Mather et al.	2010/0292713	A1	11/2010	Cohn et al.
7,886,953	B2	2/2011	Schwemberger et al.	2010/0292715	A1	11/2010	Nering et al.
8,066,724	B2 *	11/2011	Golden et al. 606/153	2010/0327042	A1	12/2010	Amid et al.
8,105,345	B2 *	1/2012	Golden et al. 606/153	2011/0079627	A1	4/2011	Cardinale et al.
8,337,394	B2 *	12/2012	Vakharia 606/185	2012/0022560	A1 *	1/2012	Ferreira 606/145
8,518,055	B1	8/2013	Cardinale et al.	2012/0175401	A1	7/2012	Bachman
8,579,920	B2 *	11/2013	Nering et al. 606/143	2013/0245681	A1	9/2013	Straehnz et al.
2002/0050277	A1	5/2002	Beyar	2013/0267970	A1	10/2013	Cardinale et al.
2002/0068947	A1	6/2002	Kuhns et al.	2013/0303845	A1 *	11/2013	Skula et al. 606/139
				2013/0304091	A1 *	11/2013	Straehnz et al. 606/139
				2013/0304092	A1 *	11/2013	Cardinale et al. 606/139

* cited by examiner

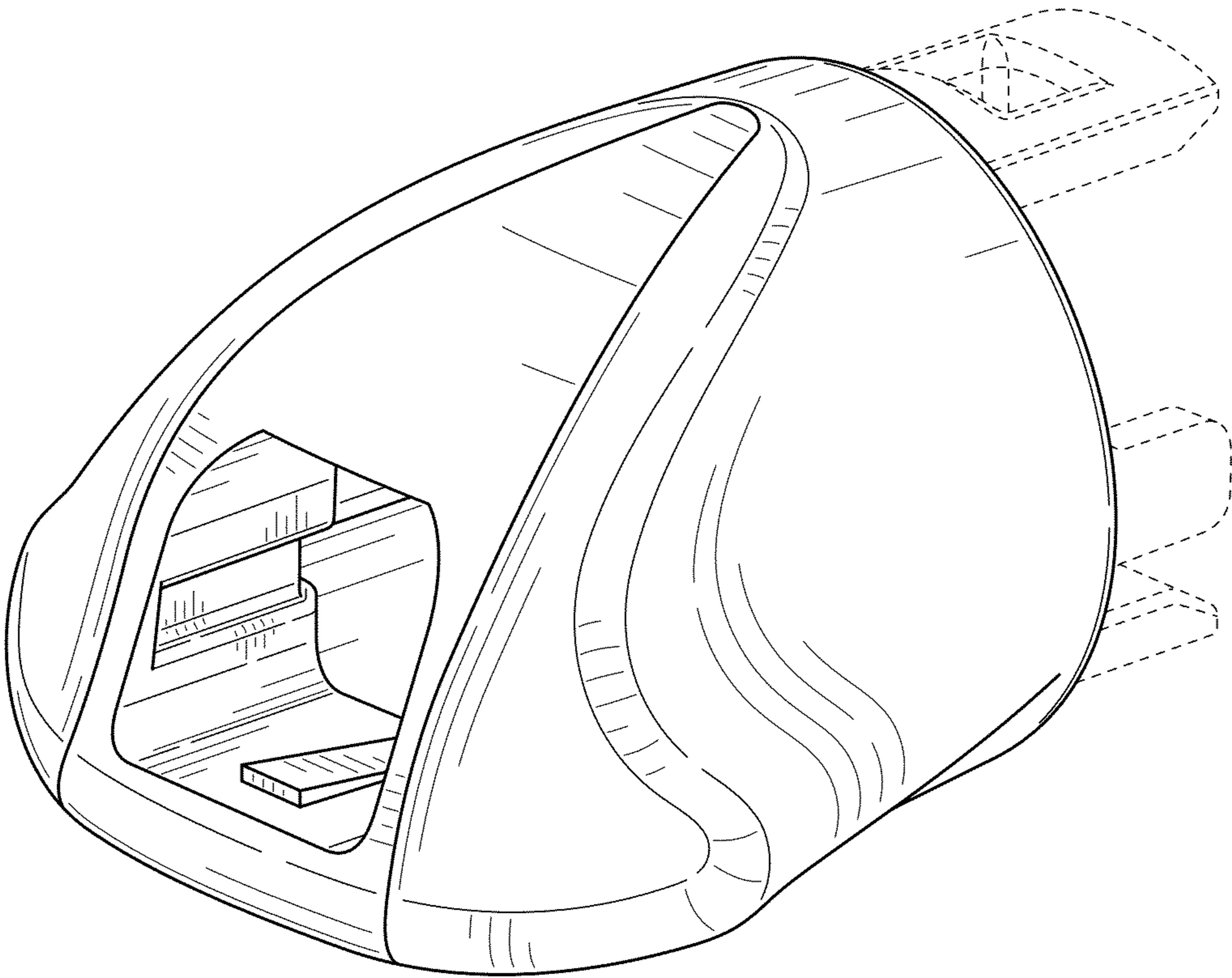


FIG. 1

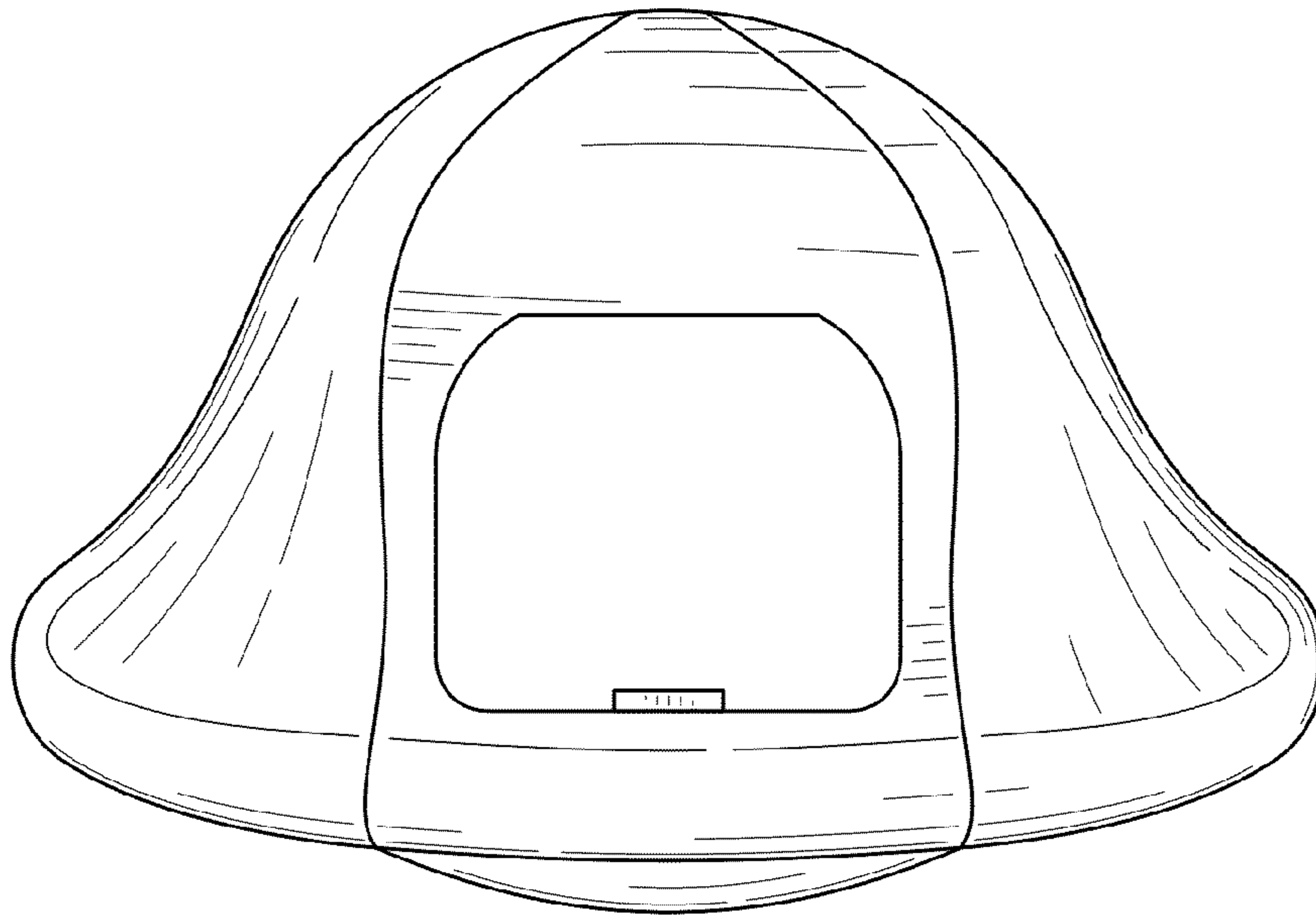


FIG. 2

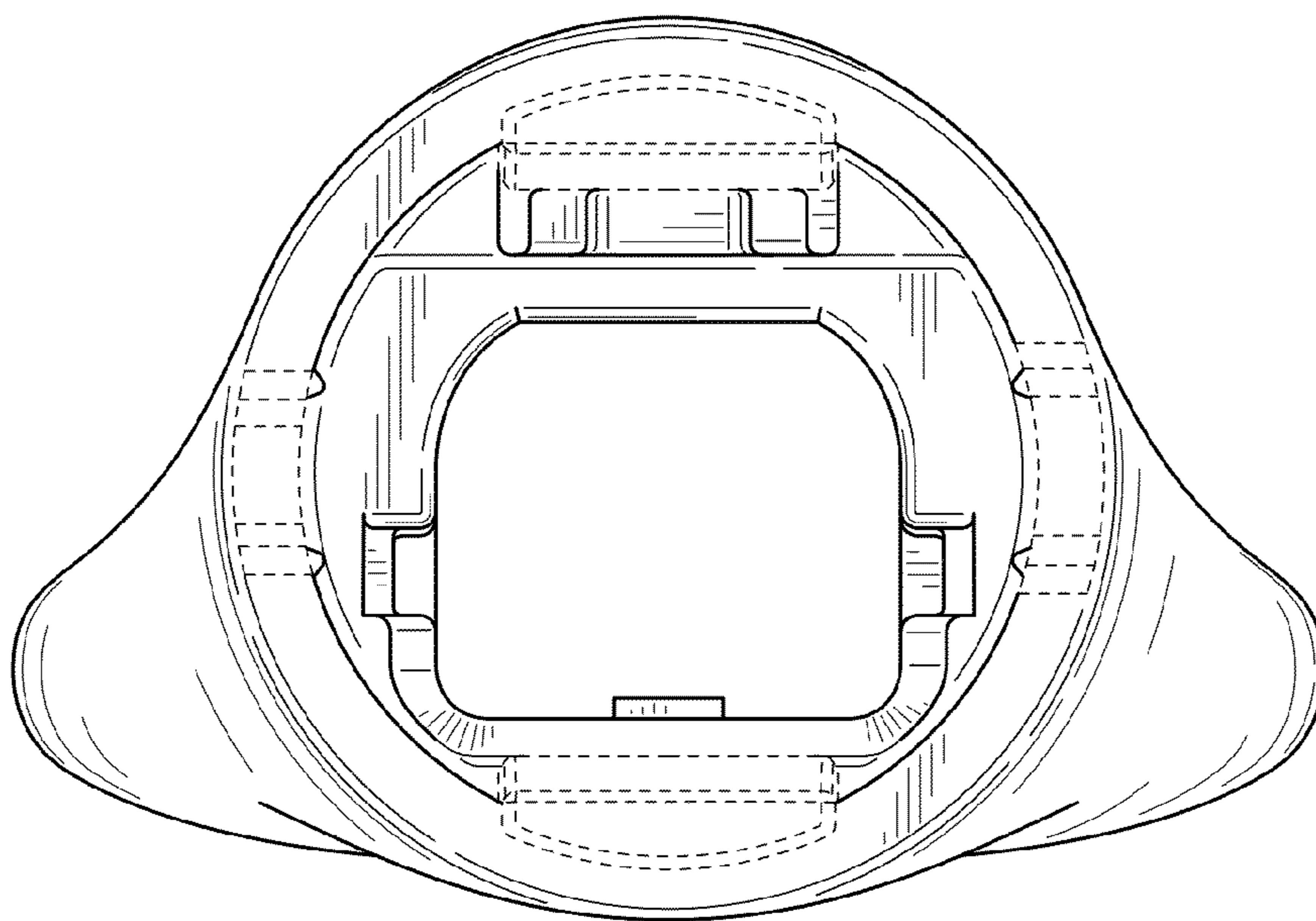


FIG. 3

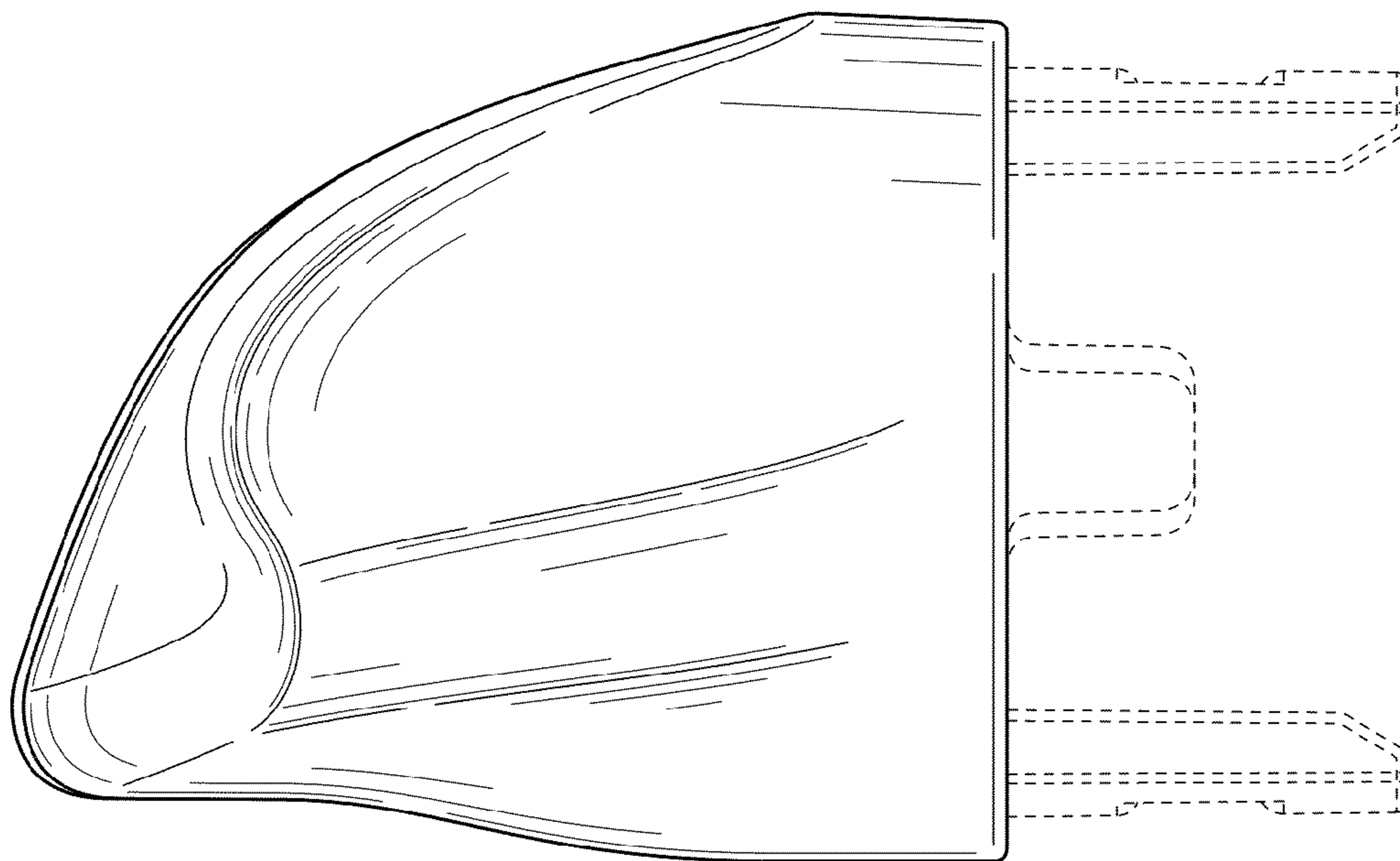


FIG. 4

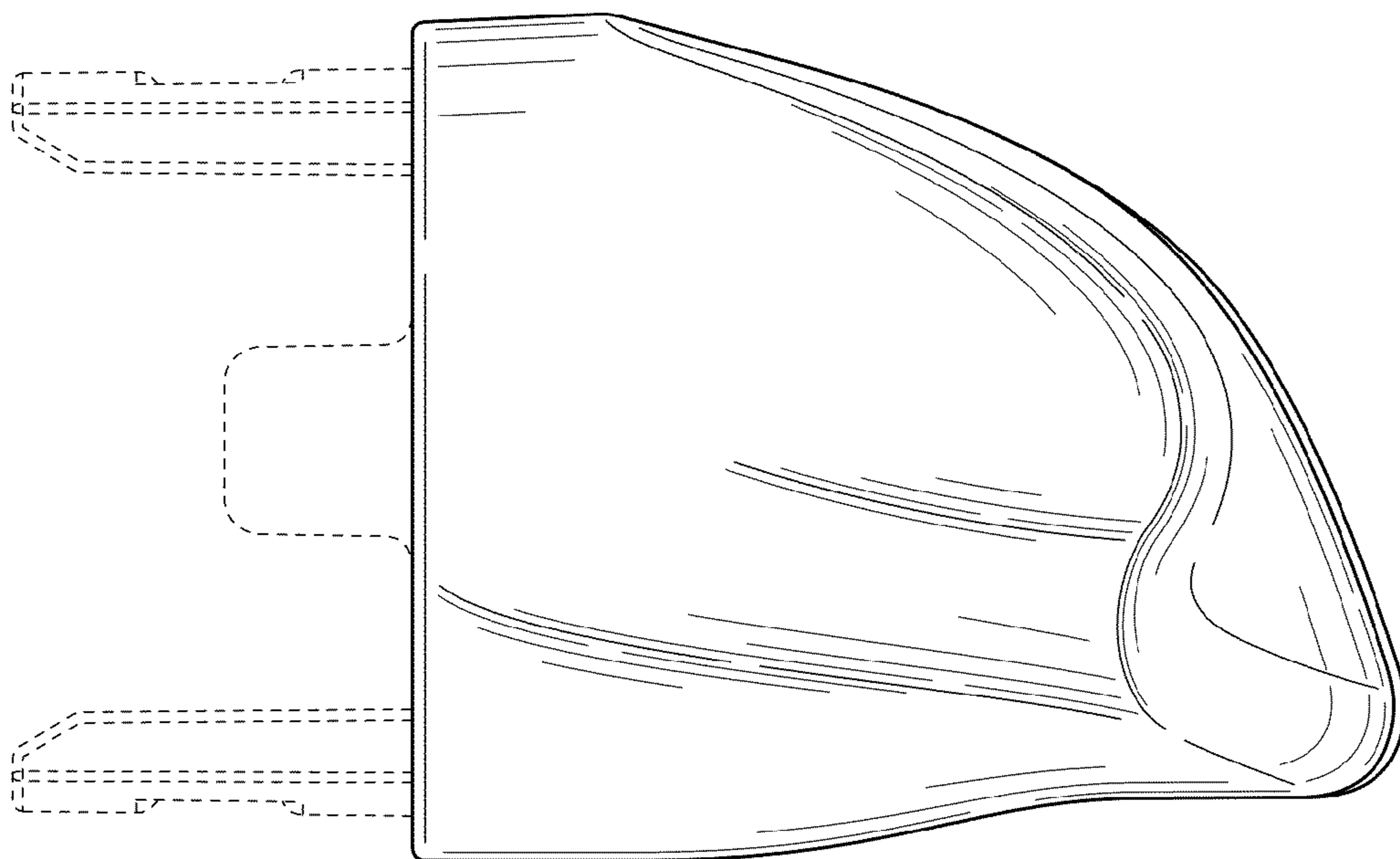


FIG. 5

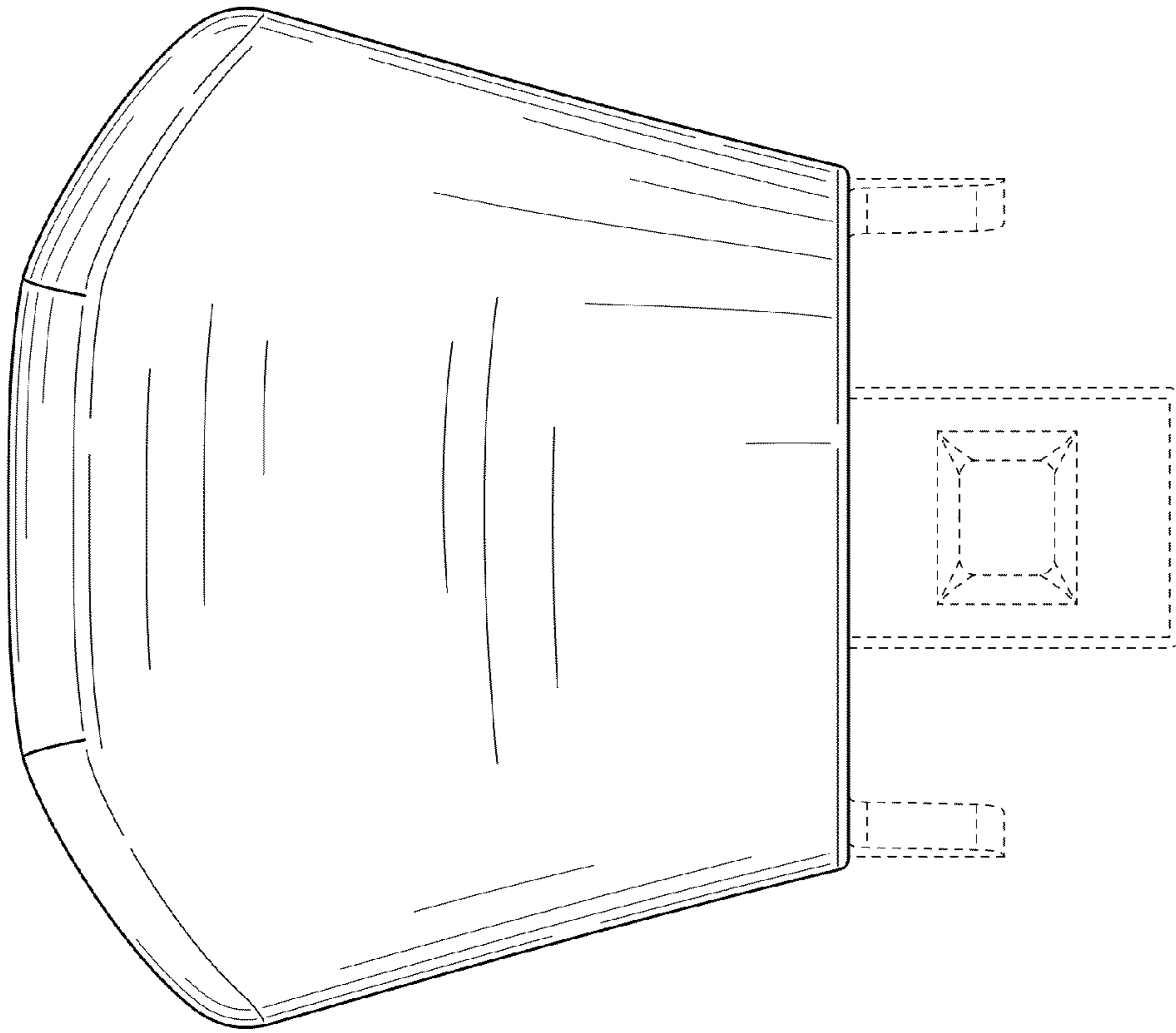


FIG. 7

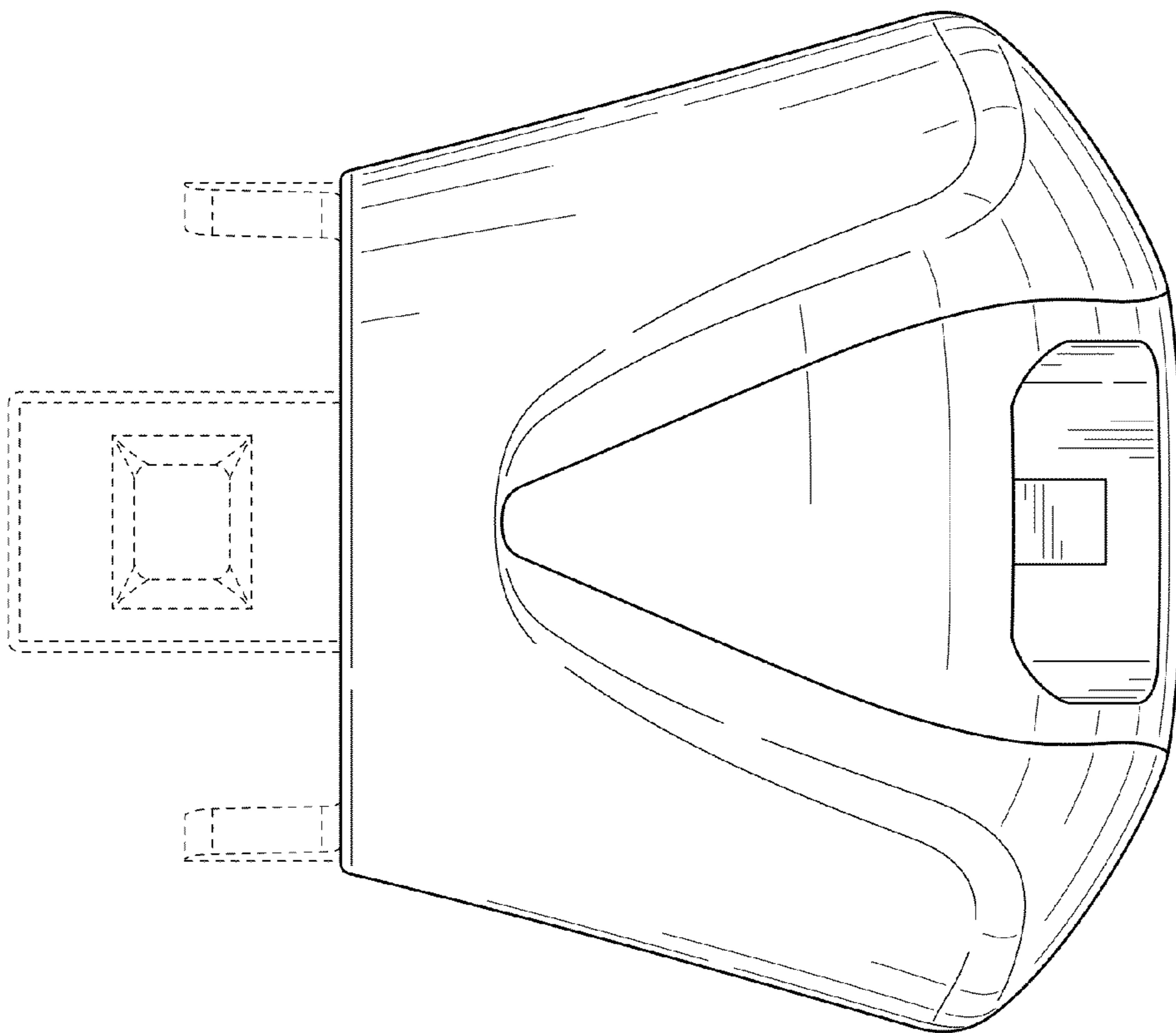


FIG. 6