



US00D707819S

(12) **United States Design Patent**
Nalagatla et al.

(10) **Patent No.:** **US D707,819 S**
(45) **Date of Patent:** **** Jun. 24, 2014**

(54) **SURGICAL STAPLER CARTRIDGE**

(75) Inventors: **Anil K. Nalagatla**, Mason, OH (US);
Barry T. Jamison, Fairfield, OH (US);
John V. Hunt, Cincinnati, OH (US);
Thomas E. Adams, Loveland, OH (US)

(73) Assignee: **Ethicon Endo-Surgery, Inc.**, Cincinnati, OH (US)

(**) Term: **14 Years**

(21) Appl. No.: **29/427,598**

(22) Filed: **Jul. 20, 2012**

(51) **LOC (10) Cl.** **24-02**

(52) **U.S. Cl.**
USPC **D24/145**

(58) **Field of Classification Search**
USPC D24/145-147, 127; 227/175.1, 175.2,
227/176.1, 179.1, 180.1, 181.1, 19, 119,
227/901-902; 606/139, 142, 219
See application file for complete search history.

(56) **References Cited**

U.S. PATENT DOCUMENTS

4,207,898 A	6/1980	Becht	
4,351,466 A	9/1982	Noiles	
5,292,053 A	3/1994	Bilotti et al.	
5,344,059 A	9/1994	Green et al.	
5,411,508 A *	5/1995	Bessler et al.	227/179.1
5,860,581 A	1/1999	Robertson et al.	
6,083,241 A	7/2000	Longo et al.	

6,102,271 A	8/2000	Longo et al.	
6,193,129 B1	2/2001	Bittner et al.	
6,978,922 B2 *	12/2005	Bilotti et al.	227/180.1
RE39,841 E *	9/2007	Bilotti et al.	227/180.1
7,845,536 B2 *	12/2010	Viola et al.	227/179.1
8,011,554 B2 *	9/2011	Milliman	227/179.1
8,172,123 B2 *	5/2012	Chen et al.	227/180.1
8,267,301 B2 *	9/2012	Milliman et al.	227/176.1
8,322,590 B2 *	12/2012	Patel et al.	227/179.1
8,413,872 B2 *	4/2013	Patel	227/181.1
8,453,911 B2 *	6/2013	Milliman et al.	227/176.1
8,485,414 B2 *	7/2013	Criscuolo et al.	227/179.1
2010/0237132 A1	9/2010	Measamer et al.	
2012/0292366 A1 *	11/2012	Nalagatla et al.	227/175.1

* cited by examiner

Primary Examiner — Wan Laymon

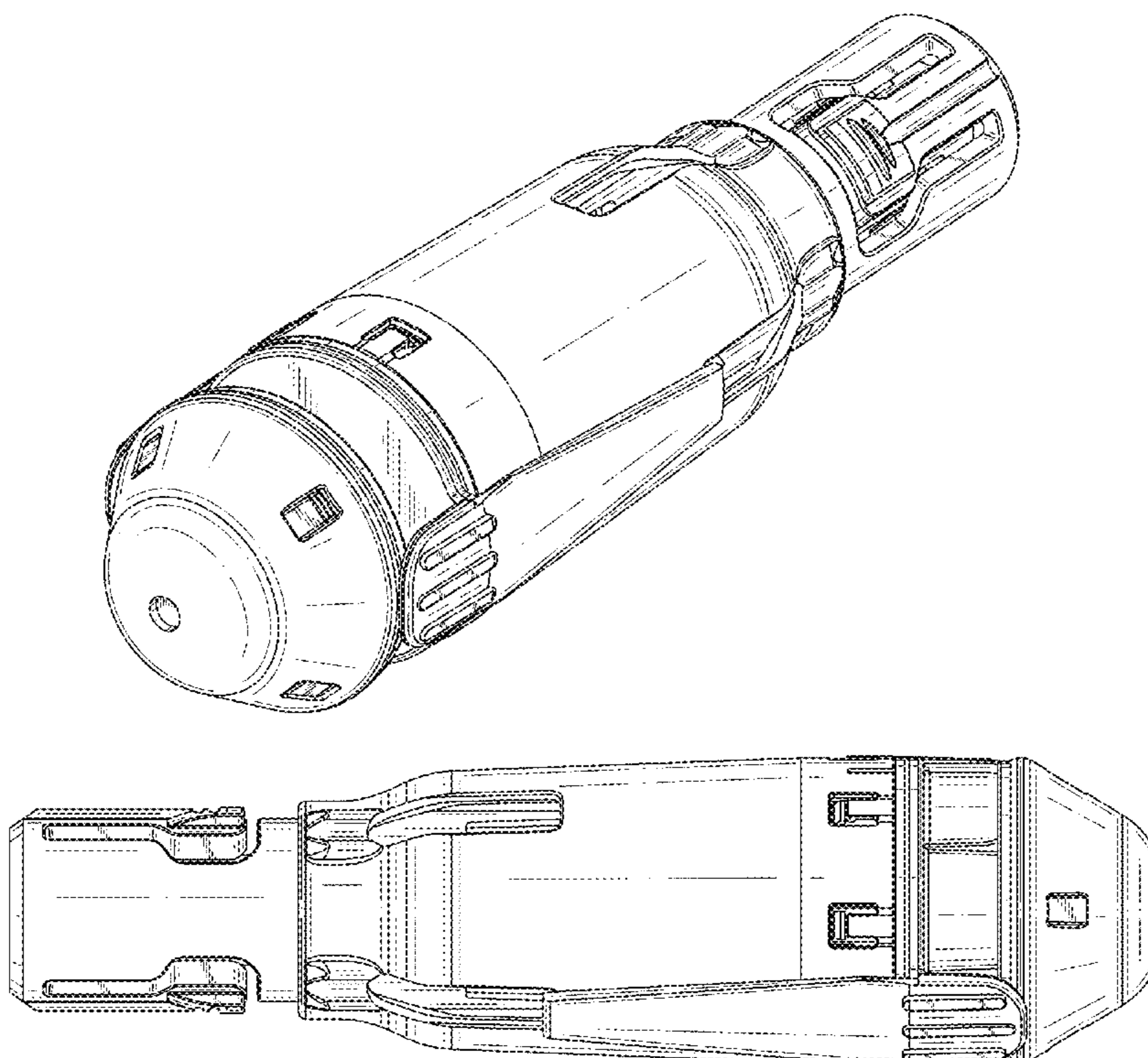
(57) **CLAIM**

The ornamental design for a surgical stapling cartridge, as shown and described.

DESCRIPTION

FIG. 1 is a perspective view of the surgical stapling cartridge
FIG. 2 is a top View thereof.
FIG. 3 is a Left Side View thereof.
FIG. 4 is a Right Side View thereof.
FIG. 5 is a Bottom View thereof.
FIG. 6 is a Front View thereof; and,
FIG. 7 is a Rear View thereof.
The broken lines in FIG. 7 are included for the purpose of illustrating portions of the surgical stapler cartridge that form no part of the claimed design.

1 Claim, 4 Drawing Sheets



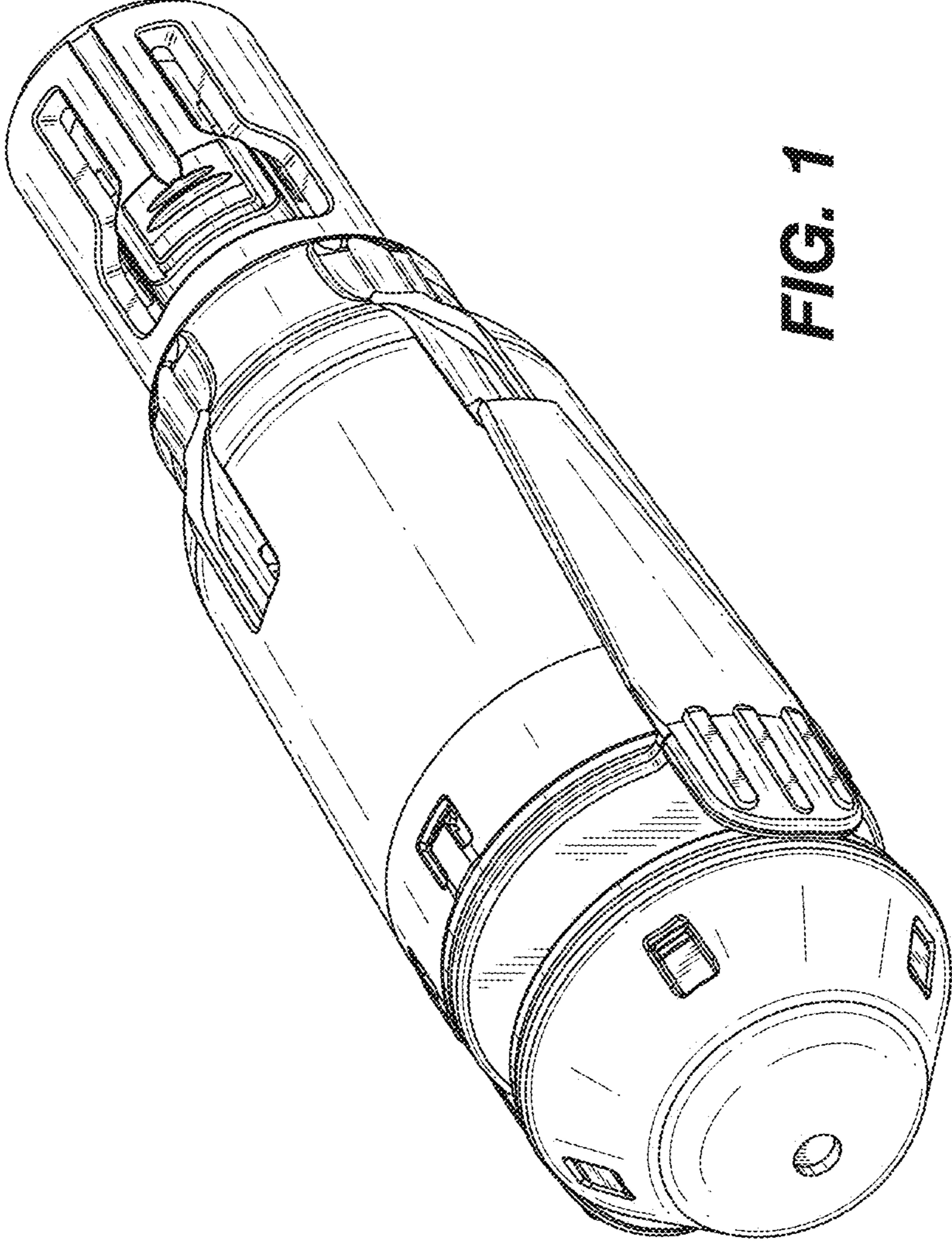


FIG. 1

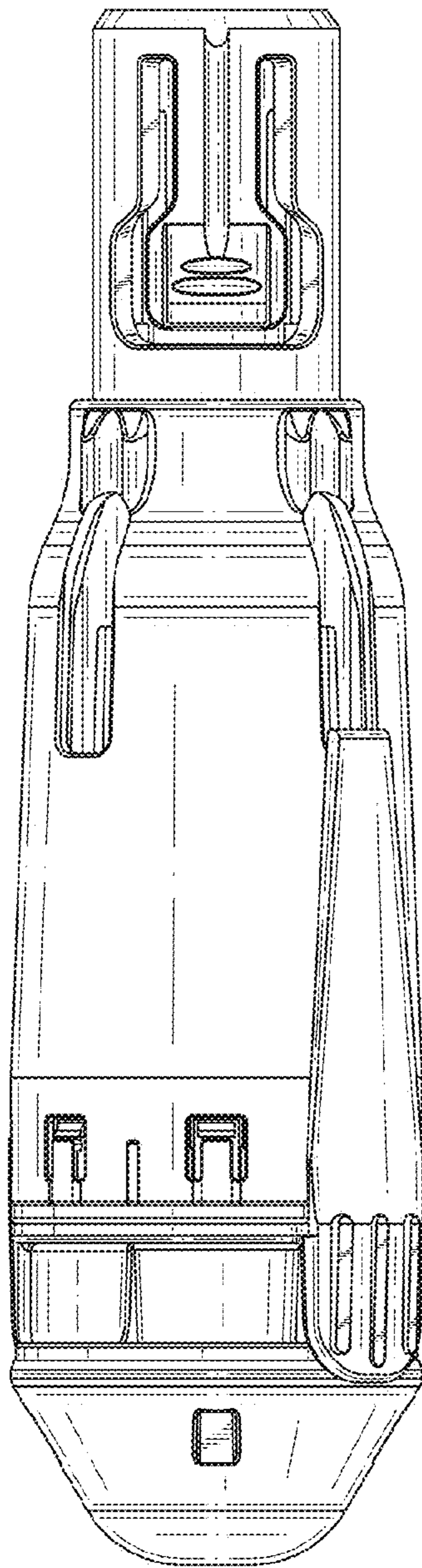


FIG. 2

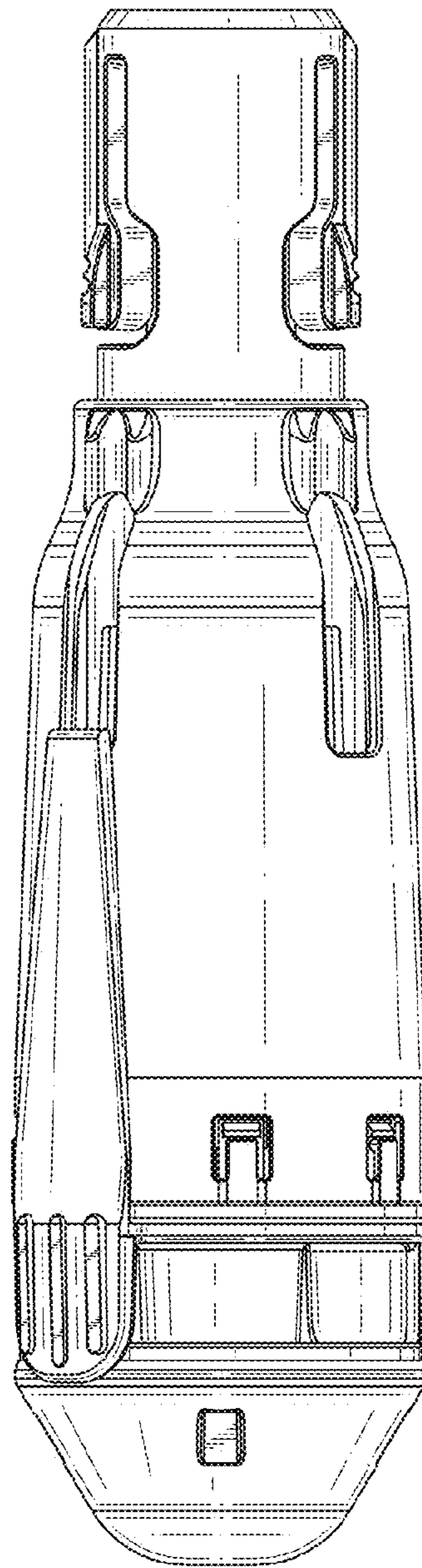


FIG. 3

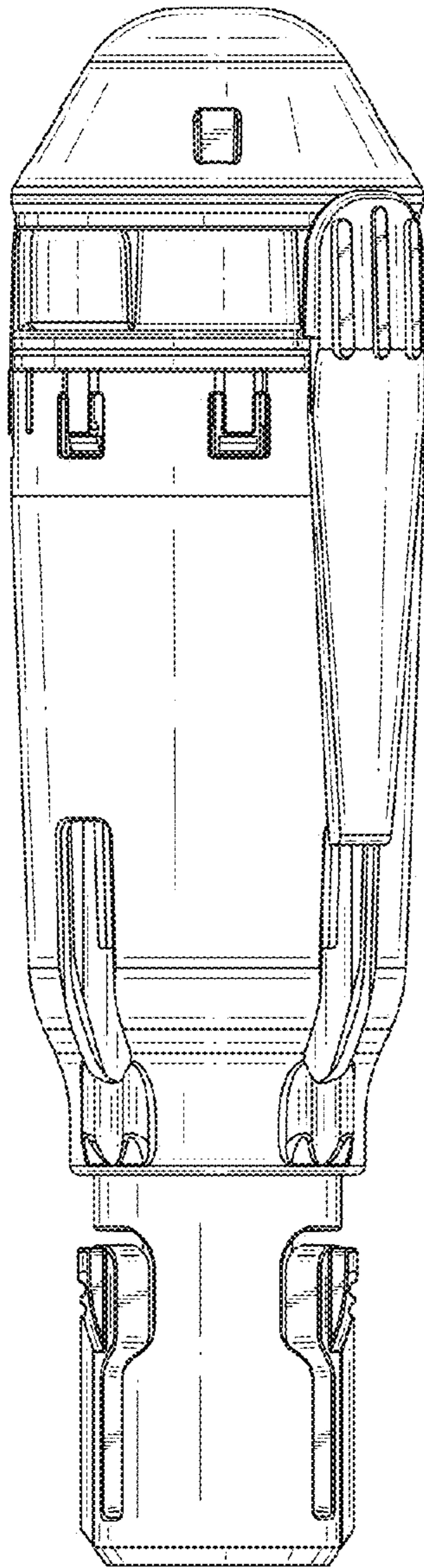


FIG. 4

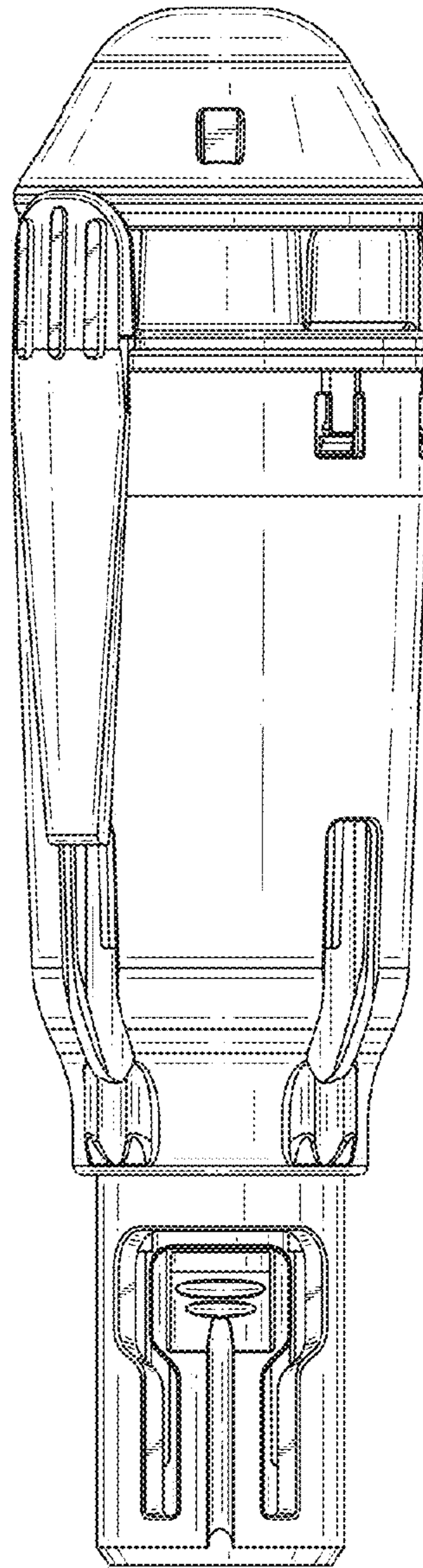


FIG. 5

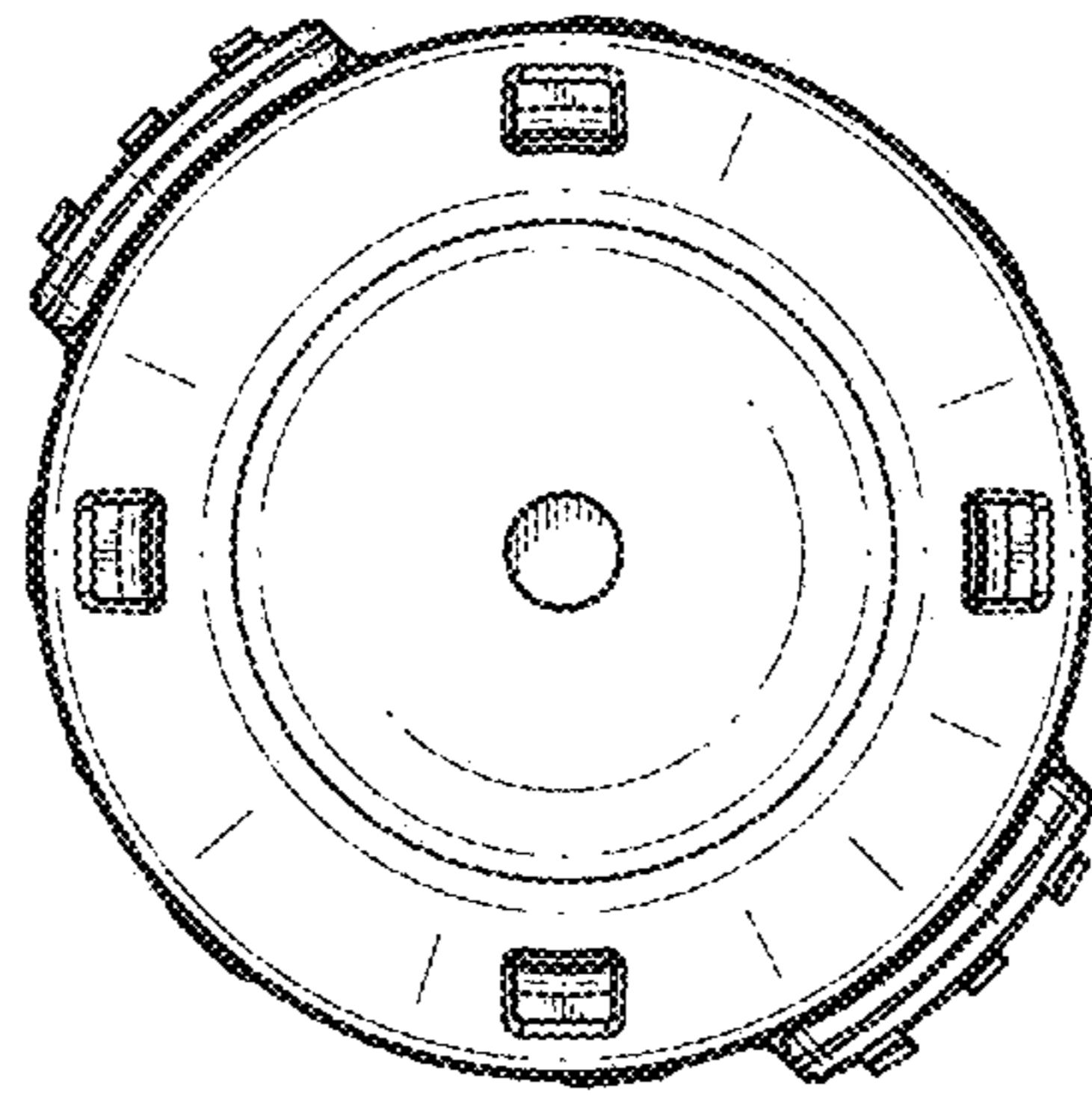


FIG. 6

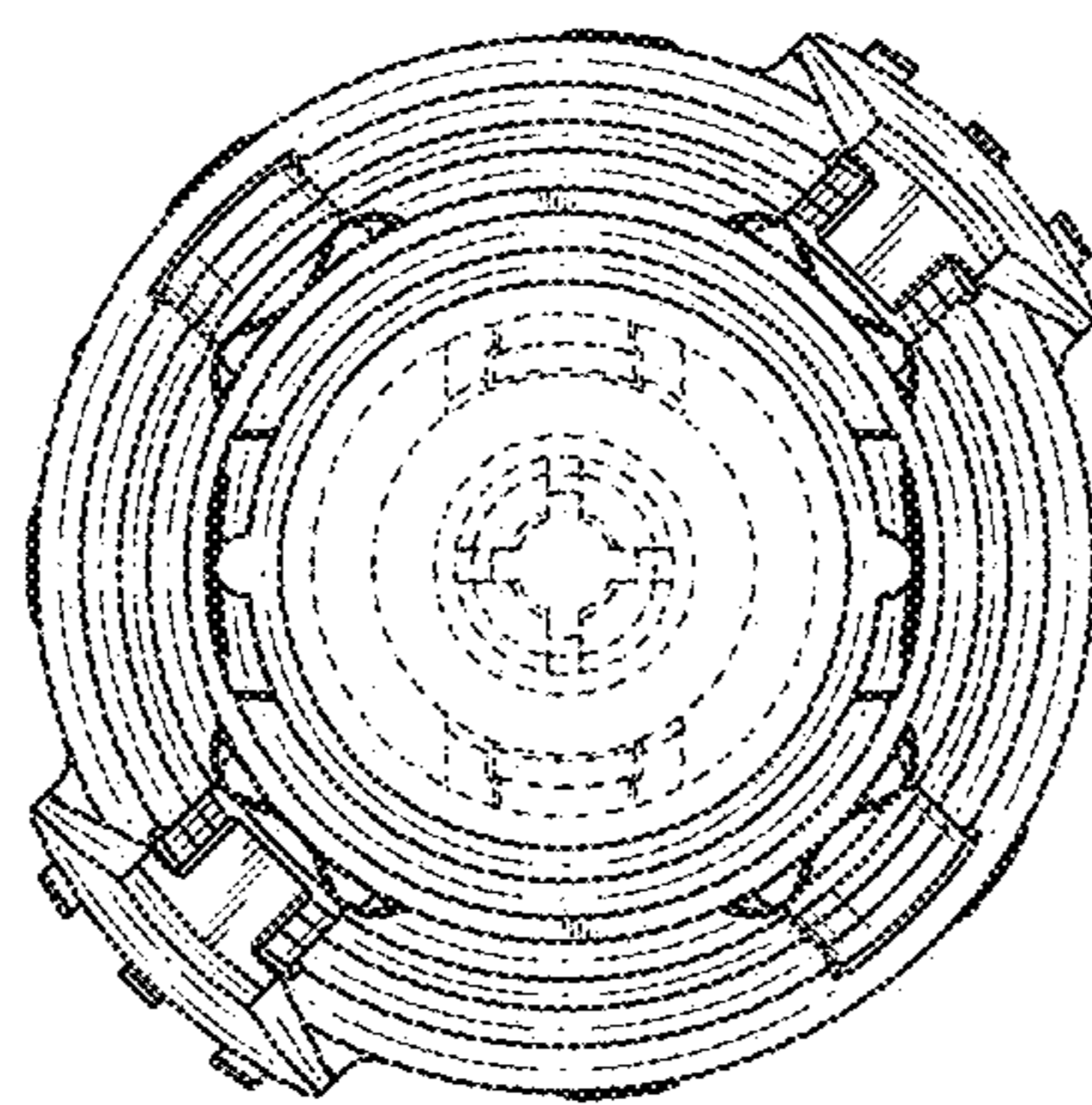


FIG. 7