



US00D707811S

(12) **United States Design Patent**  
**Lehaneur**

(10) **Patent No.:** **US D707,811 S**  
(45) **Date of Patent:** **\*\* Jun. 24, 2014**

(54) **MEDICAL INJECTOR**

(75) Inventor: **Mathieu Lehaneur**, Paris (FR)

(73) Assignee: **Becton Dickinson France S.A.S.**, Le Pont-de-Claix (FR)

(\*\*) Term: **14 Years**

(21) Appl. No.: **29/424,951**

(22) Filed: **Jun. 18, 2012**

(51) **LOC (10) Cl.** ..... **24-02**

(52) **U.S. Cl.**  
USPC ..... **D24/113**

(58) **Field of Classification Search**

USPC ..... D24/112–114, 133, 186, 104, 130, 127;  
606/181, 185; 604/264, 272, 115, 232,  
604/187, 158, 164.08, 192, 263, 163, 181,  
604/184, 198, 227; D14/205, 206

See application file for complete search history.

(56) **References Cited**

**U.S. PATENT DOCUMENTS**

2,704,071 A \* 3/1955 Becker ..... 604/115  
4,223,673 A \* 9/1980 Harris ..... 604/115

(Continued)

**OTHER PUBLICATIONS**

Design U.S. Appl. No. 29/415,668, filed Mar. 13, 2012, entitled "Medical Injector".

(Continued)

*Primary Examiner* — David Muller

(74) *Attorney, Agent, or Firm* — The Webb Law Firm

(57) **CLAIM**

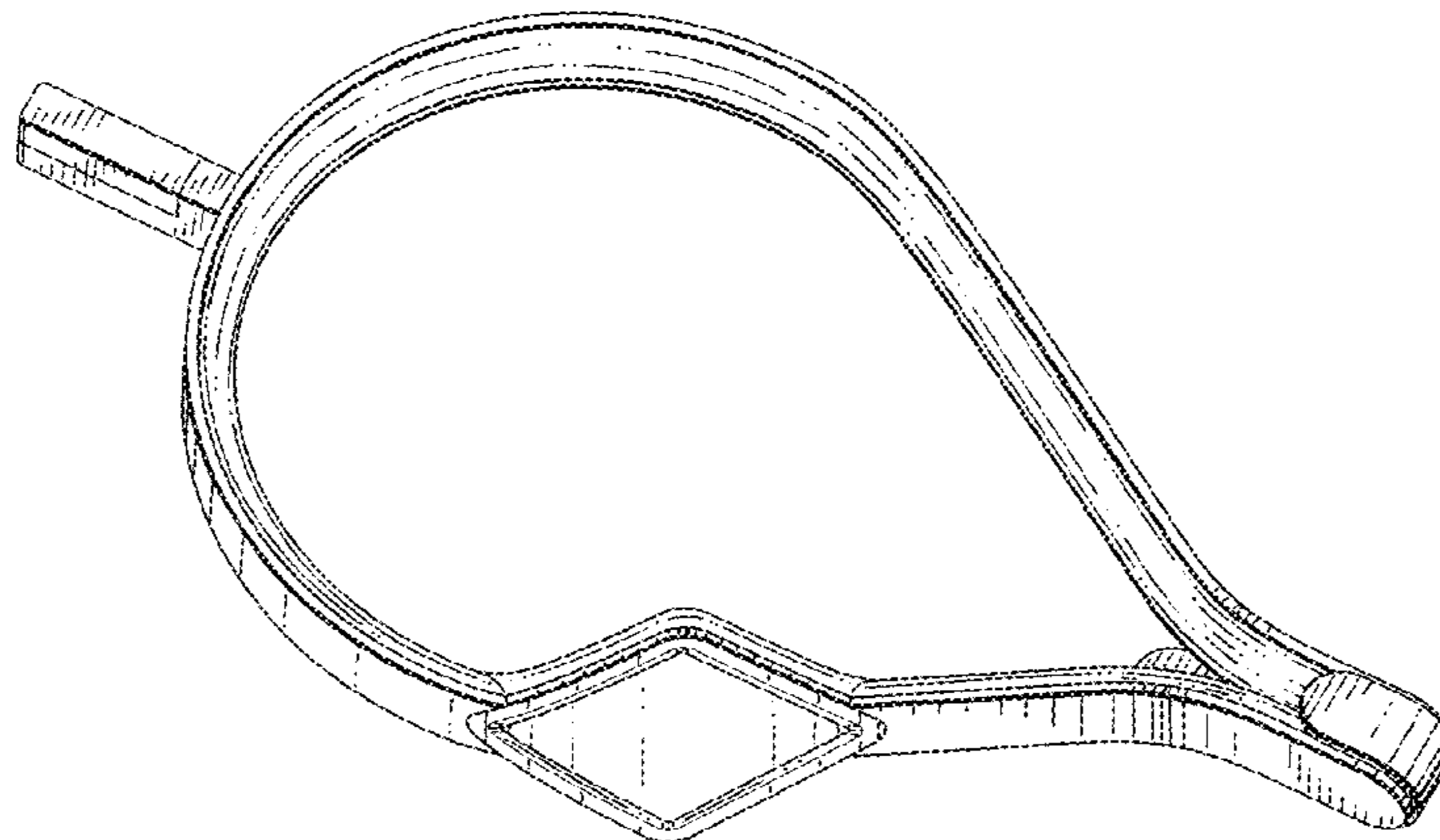
The ornamental design for a medical injector, as shown and described.

**DESCRIPTION**

FIG. 1 is a perspective view of a medical injector in a compressed state having a spring clip disposed therewith in accordance with an embodiment of the present invention.

FIG. 2 is a top view of the medical injector of FIG. 1.  
FIG. 3 is a left side view of the medical injector of FIG. 1.  
FIG. 4 is a front view of the medical injector of FIG. 1.  
FIG. 5 is a rear view of the medical injector of FIG. 1.  
FIG. 6 is a right side view of the medical injector of FIG. 1.  
FIG. 7 is a bottom view of the medical injector of FIG. 1.  
FIG. 8 is a perspective view of the medical injector of FIG. 1 in an expanded state having the spring clip displaced therefrom.  
FIG. 9 is a perspective view of the medical injector of FIG. 1 in an expanded state having the spring clip removed therefrom.  
FIG. 10 is a top view of the medical injector of FIG. 1 in an expanded state having the spring clip removed therefrom.  
FIG. 11 is a left side view of the medical injector of FIG. 1 in an expanded state having the spring clip removed therefrom.  
FIG. 12 is a front view of the medical injector of FIG. 1 in an expanded state having the spring clip removed therefrom.  
FIG. 13 is a rear view of the medical injector of FIG. 1 in an expanded state having the spring clip removed therefrom.  
FIG. 14 is a right side view of the medical injector of FIG. 1 in an expanded state having the spring clip removed therefrom.  
FIG. 15 is a bottom view of the medical injector of FIG. 1 in an expanded state having the spring clip removed therefrom.  
FIG. 16 is a perspective view of the spring clip of FIG. 1 removed from the medical injector of FIG. 1.  
FIG. 17 is a top view of the spring clip of FIG. 1 removed from the medical injector of FIG. 1.  
FIG. 18 is a left side view of the spring clip of FIG. 1 removed from the medical injector of FIG. 1.  
FIG. 19 is a front view of the spring clip of FIG. 1 removed from the medical injector of FIG. 1.  
FIG. 20 is a rear view of the spring clip of FIG. 1 removed from the medical injector of FIG. 1.  
FIG. 21 is a right side view of the spring clip of FIG. 1 removed from the medical injector of FIG. 1; and,  
FIG. 22 is a bottom view of the spring clip of FIG. 1 removed from the medical injector of FIG. 1.

**1 Claim, 14 Drawing Sheets**



(56)

References Cited

U.S. PATENT DOCUMENTS

4,466,437 A \* 8/1984 Dyck et al. .... 606/201  
D276,461 S \* 11/1984 Scanlan et al. .... D24/143  
5,094,227 A \* 3/1992 Eglauf et al. .... 601/135  
D340,113 S \* 10/1993 Knoblauch et al. .... D24/143  
D401,346 S \* 11/1998 Yoshida ..... D24/200  
D402,028 S \* 12/1998 Grimm et al. .... D24/133  
6,090,119 A \* 7/2000 Pierce et al. .... 606/166  
6,254,580 B1 \* 7/2001 Svedman ..... 604/313  
D525,235 S \* 7/2006 Koizumi ..... D14/205  
D669,176 S \* 10/2012 Frey ..... D24/140  
D683,715 S \* 6/2013 Triato et al. .... D14/204

OTHER PUBLICATIONS

Design U.S. Appl. No. 29/415,670, filed Mar. 13, 2012, entitled  
"Medical Injector".  
Design U.S. Appl. No. 29/415,667, filed Mar. 13, 2012, entitled  
"Medical Injector".  
Design U.S. Appl. No. 29/415,669, filed Mar. 13, 2012, entitled  
"Medical Injector".  
Design U.S. Appl. No. 29/424,955, filed Jun. 18, 2012, entitled  
"Packaging Assembly for a Medical Injector".  
Design U.S. Appl. No. 29/424,953, filed Jun. 18, 2012, entitled  
"Medical Injector".  
Design U.S. Appl. No. 29/424,954, filed Jun. 18, 2012, entitled  
"Medical Injector".

\* cited by examiner

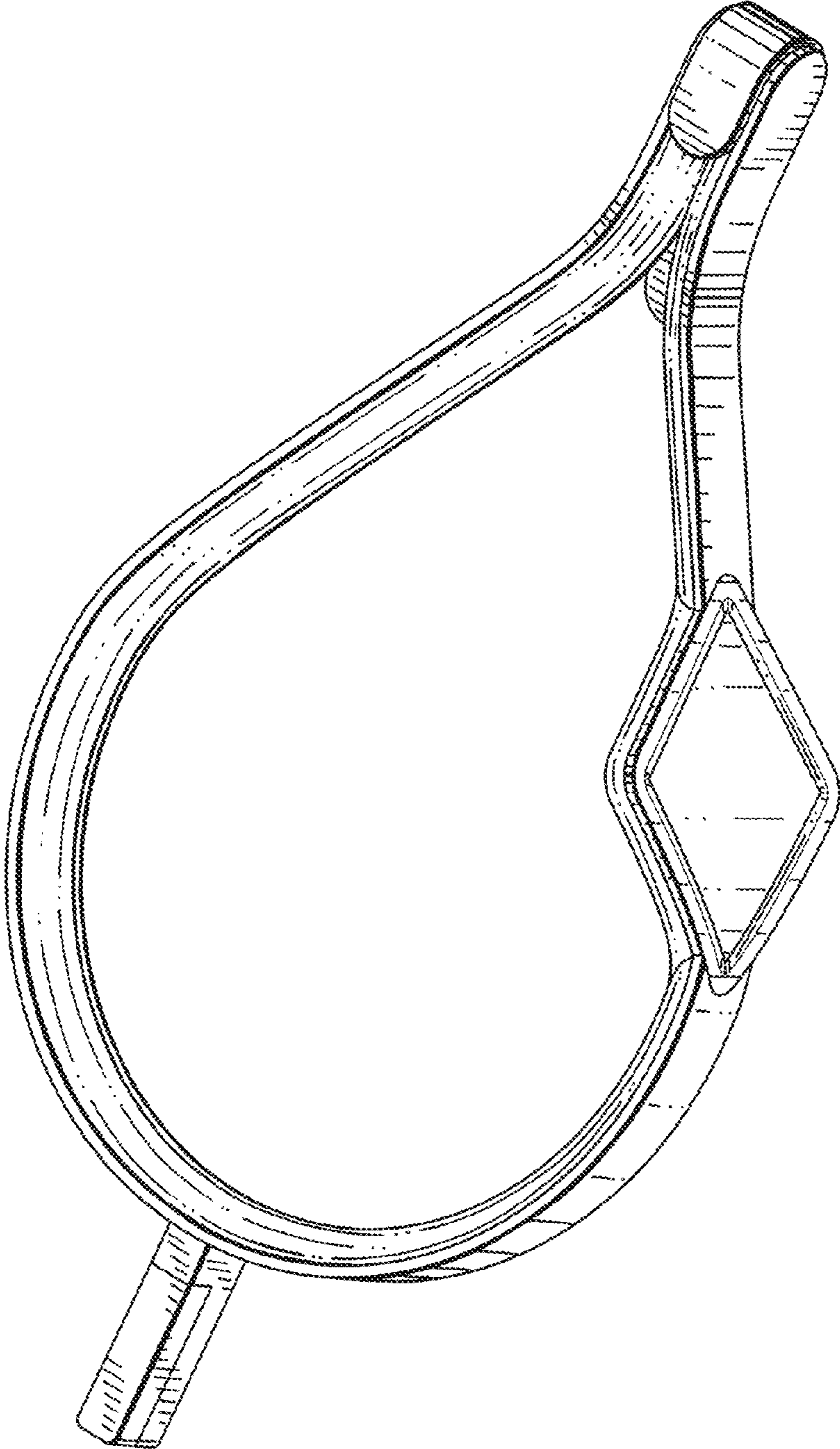


FIG.1

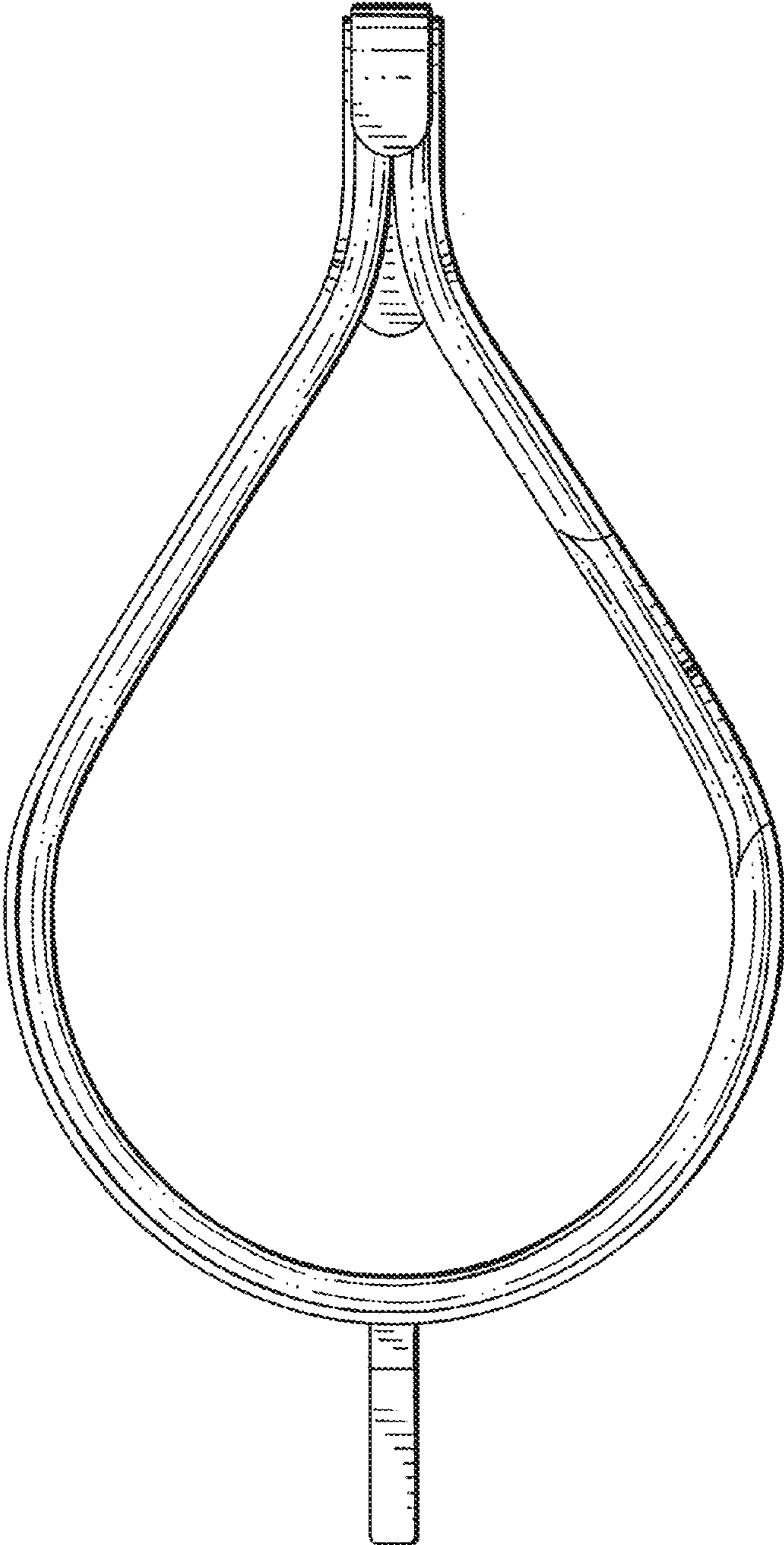


FIG.2

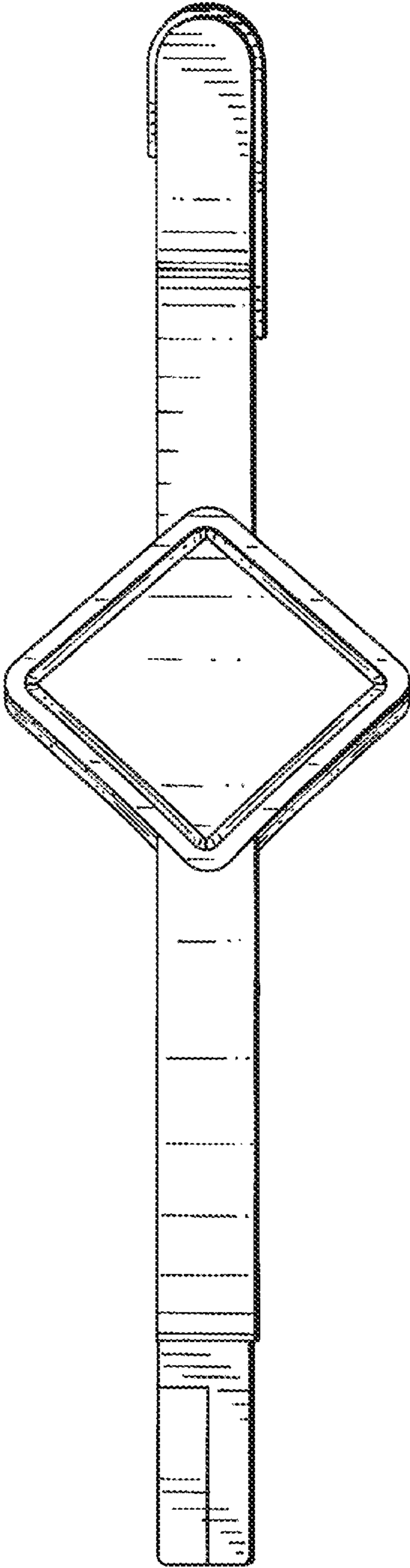


FIG.3

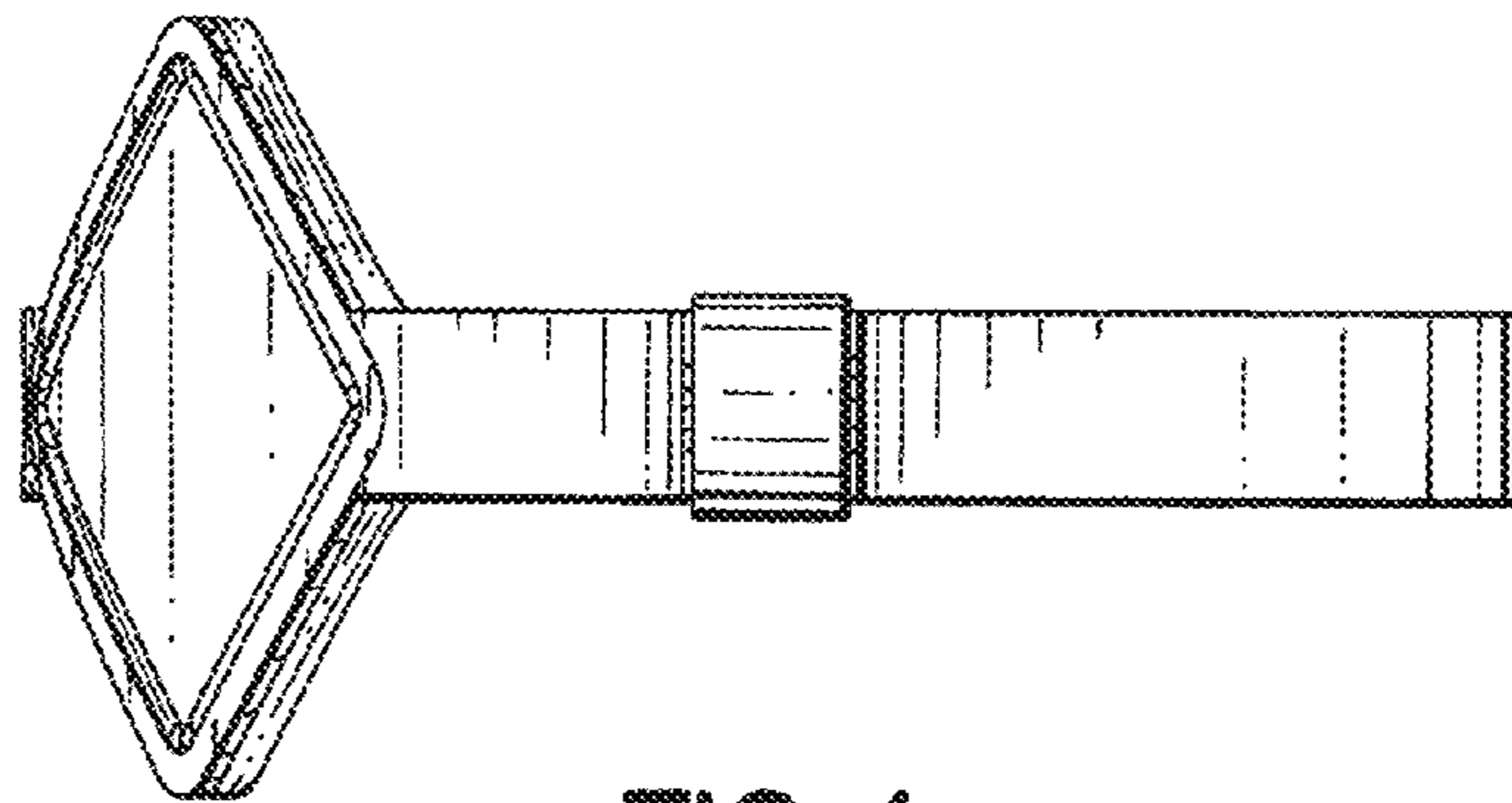


FIG. 4

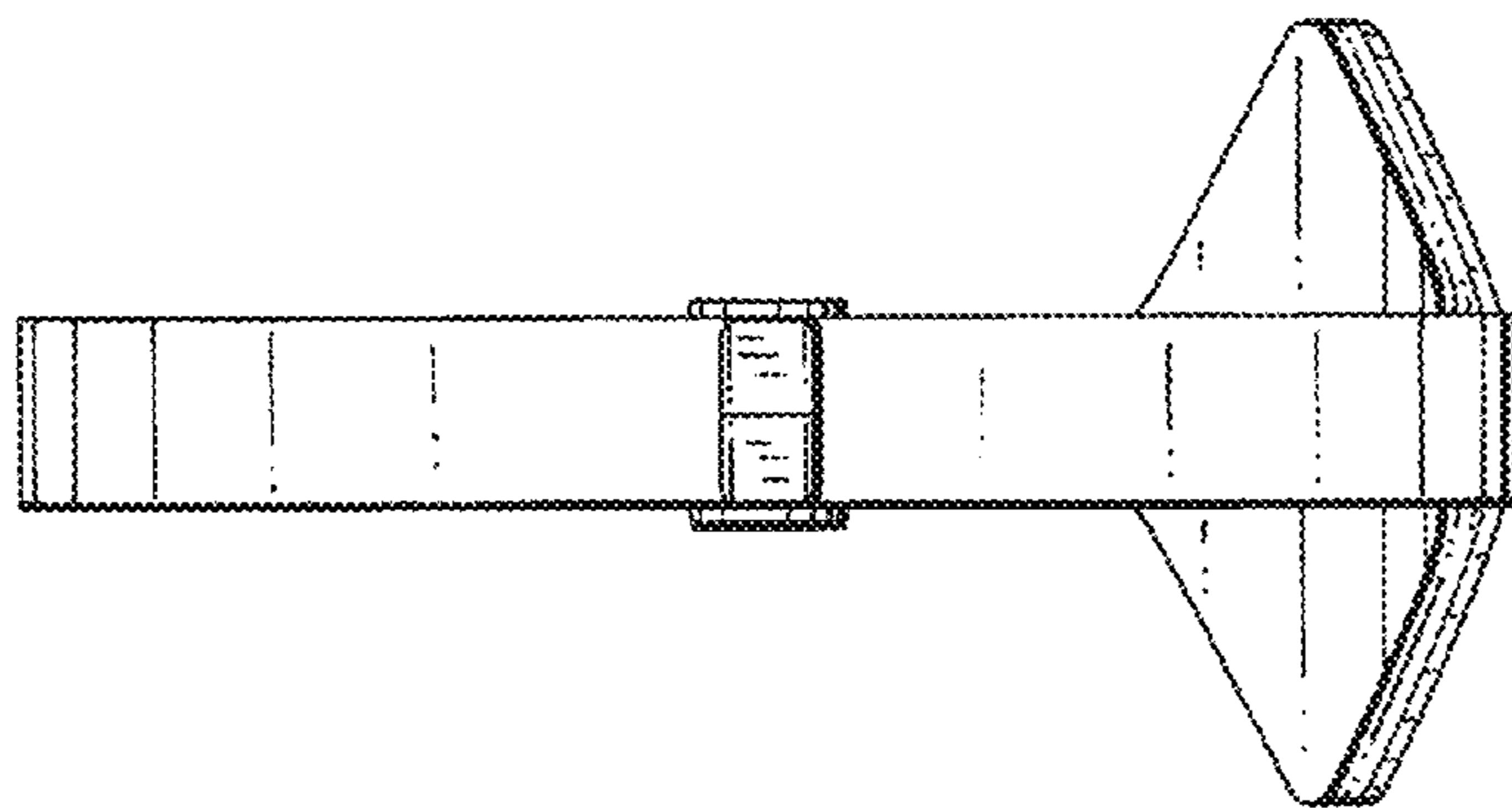


FIG. 5

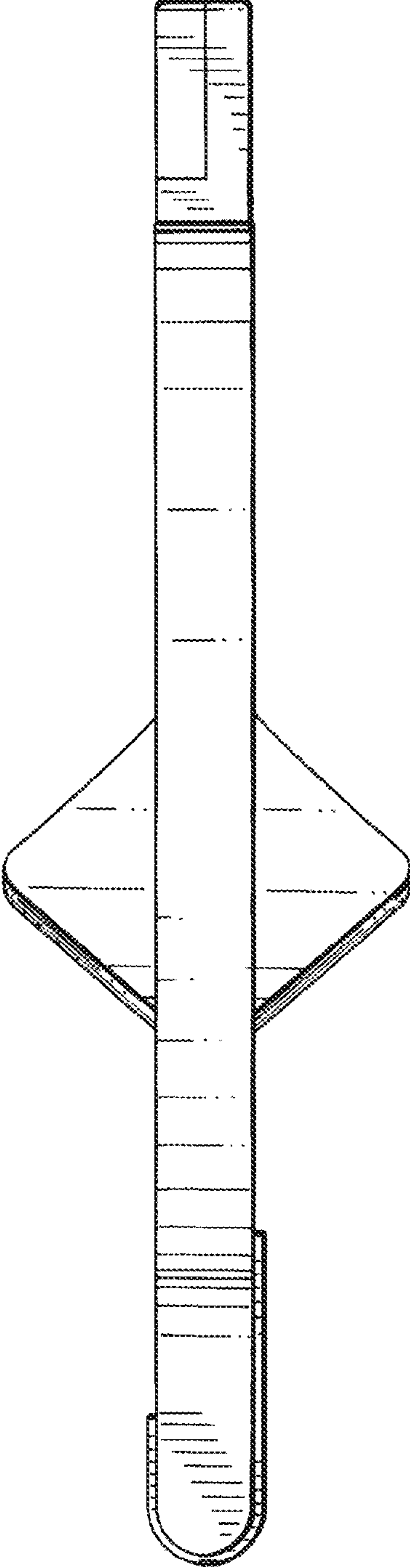


FIG. 6

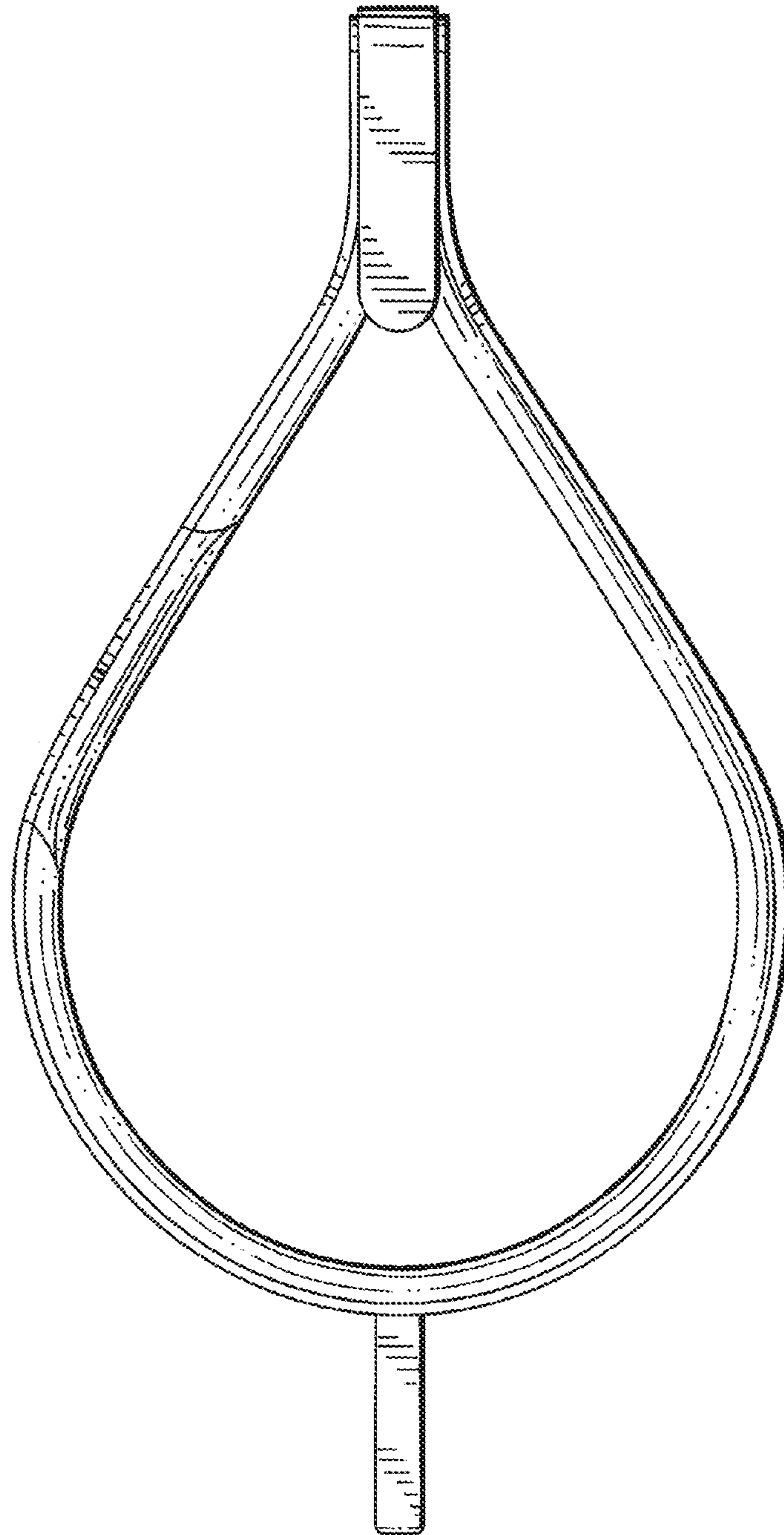


FIG. 7



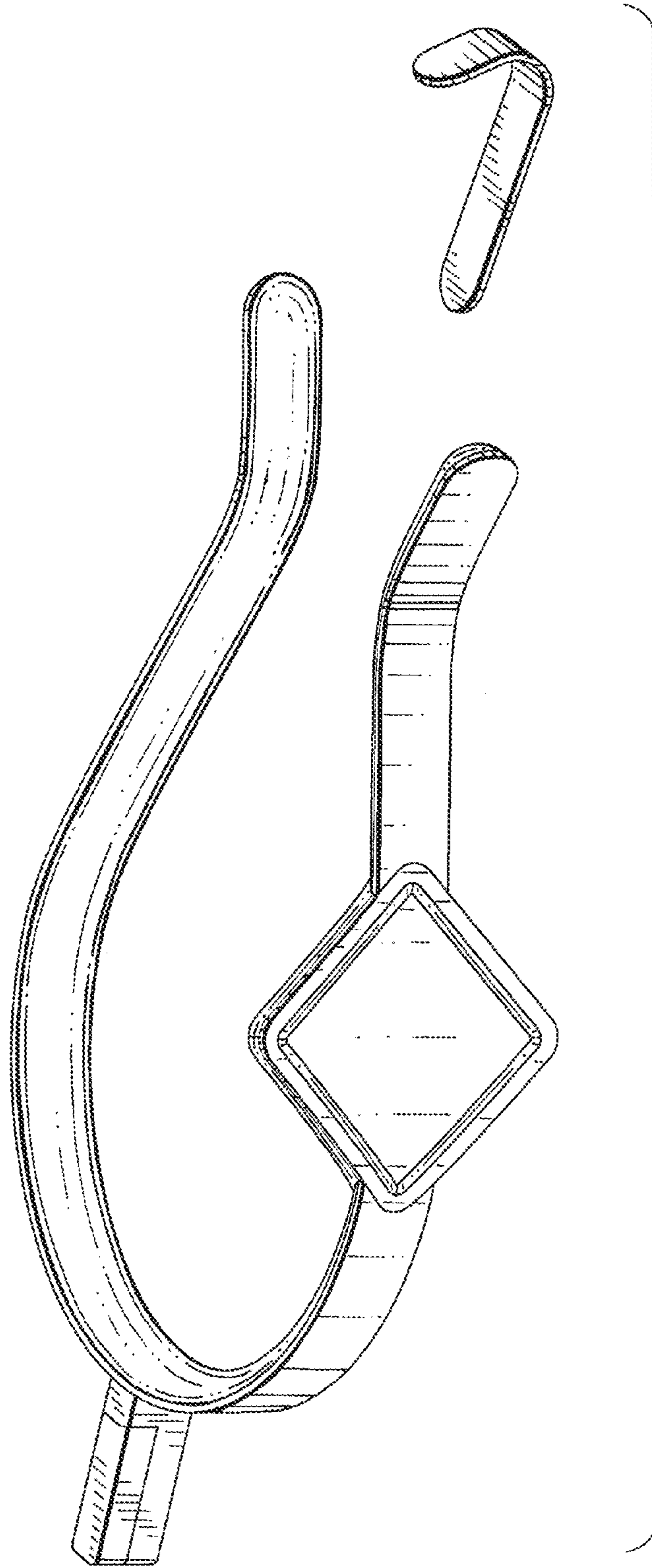


FIG. 8

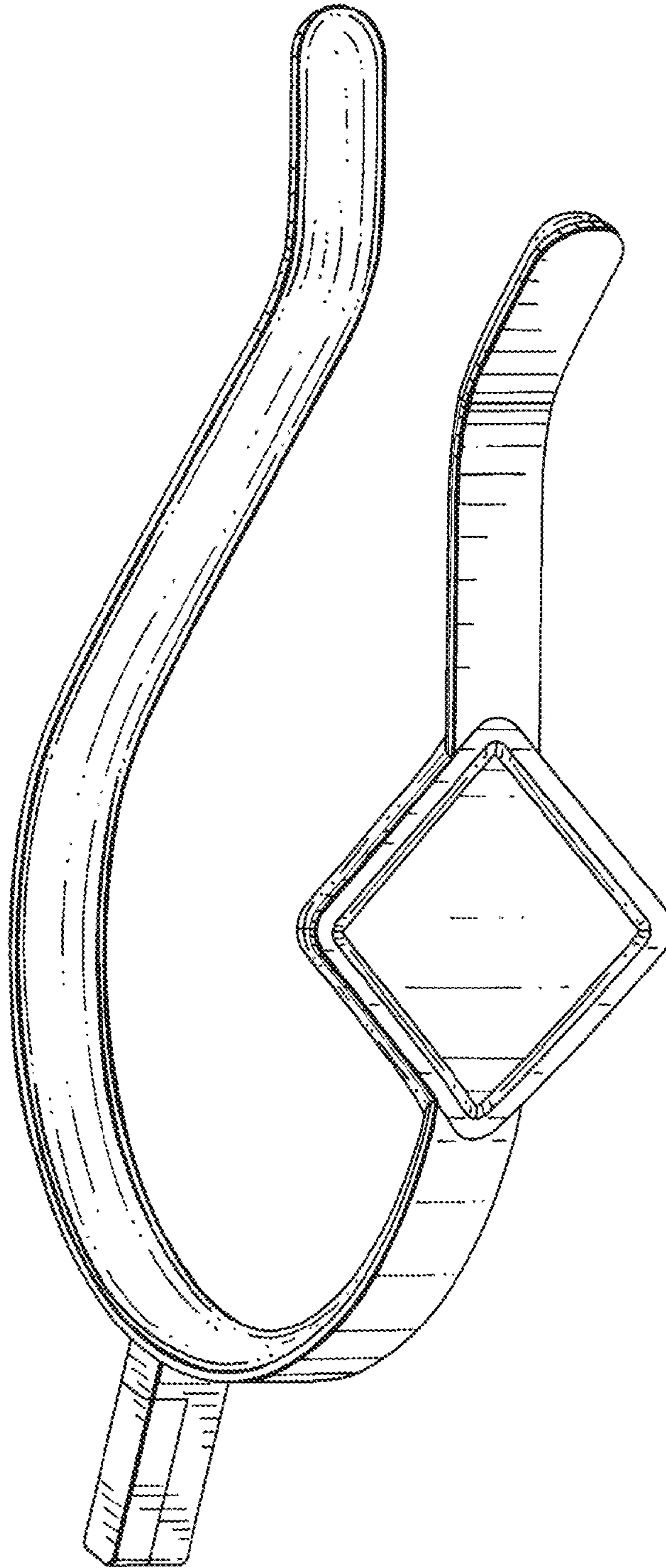


FIG.9

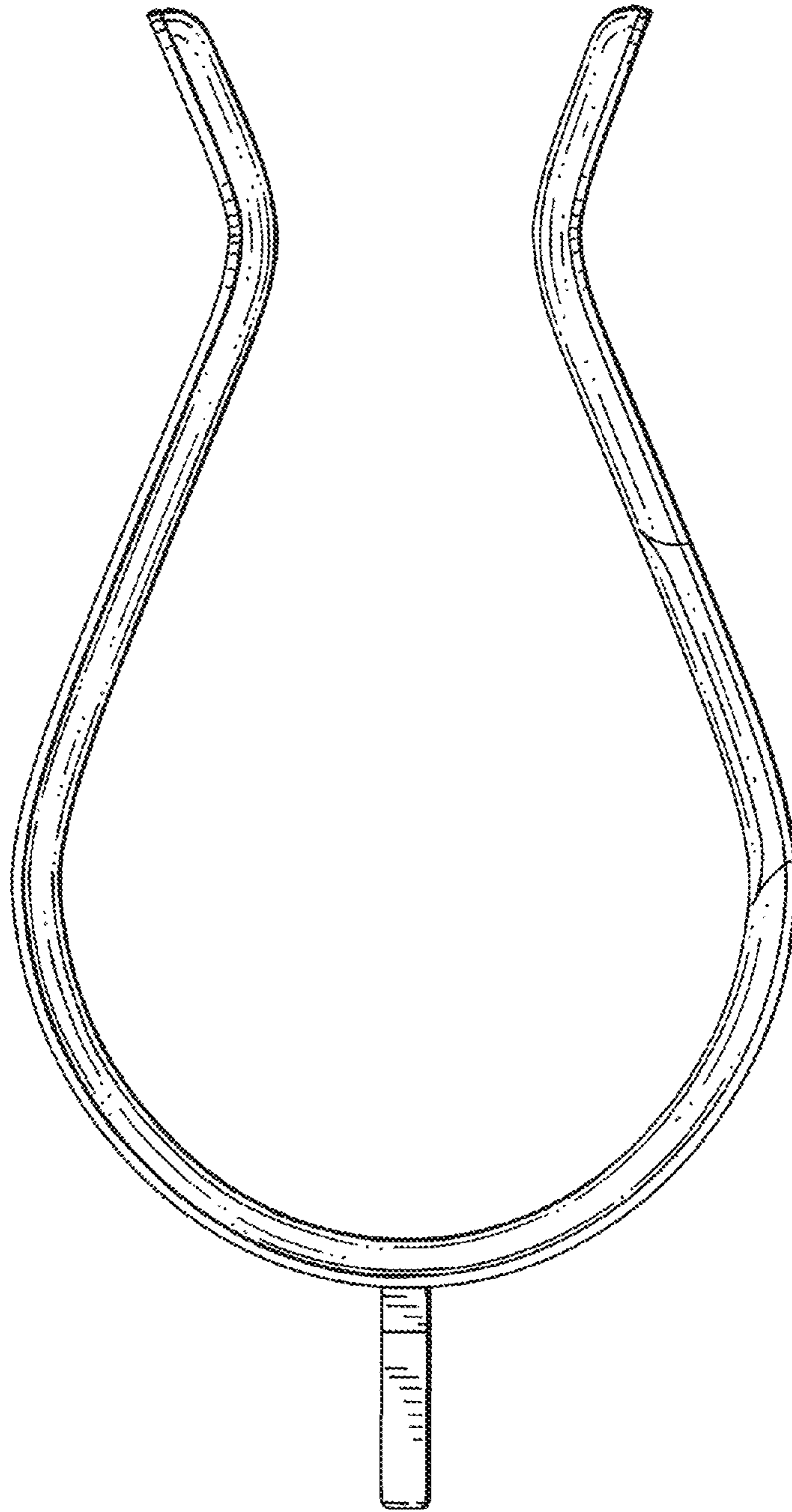


FIG.10

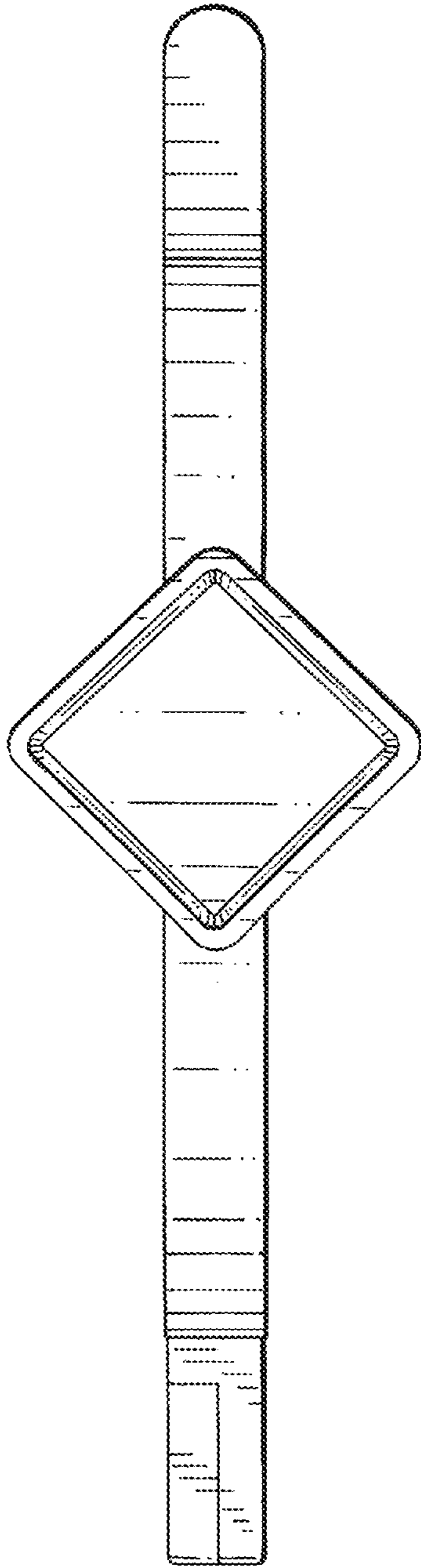


FIG. 11

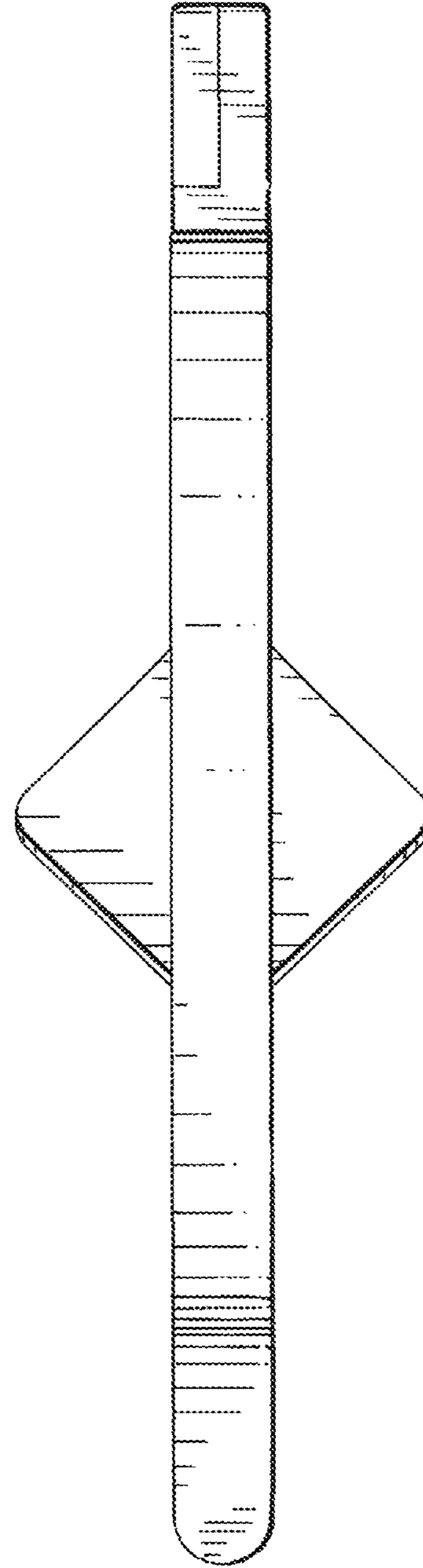


FIG. 14

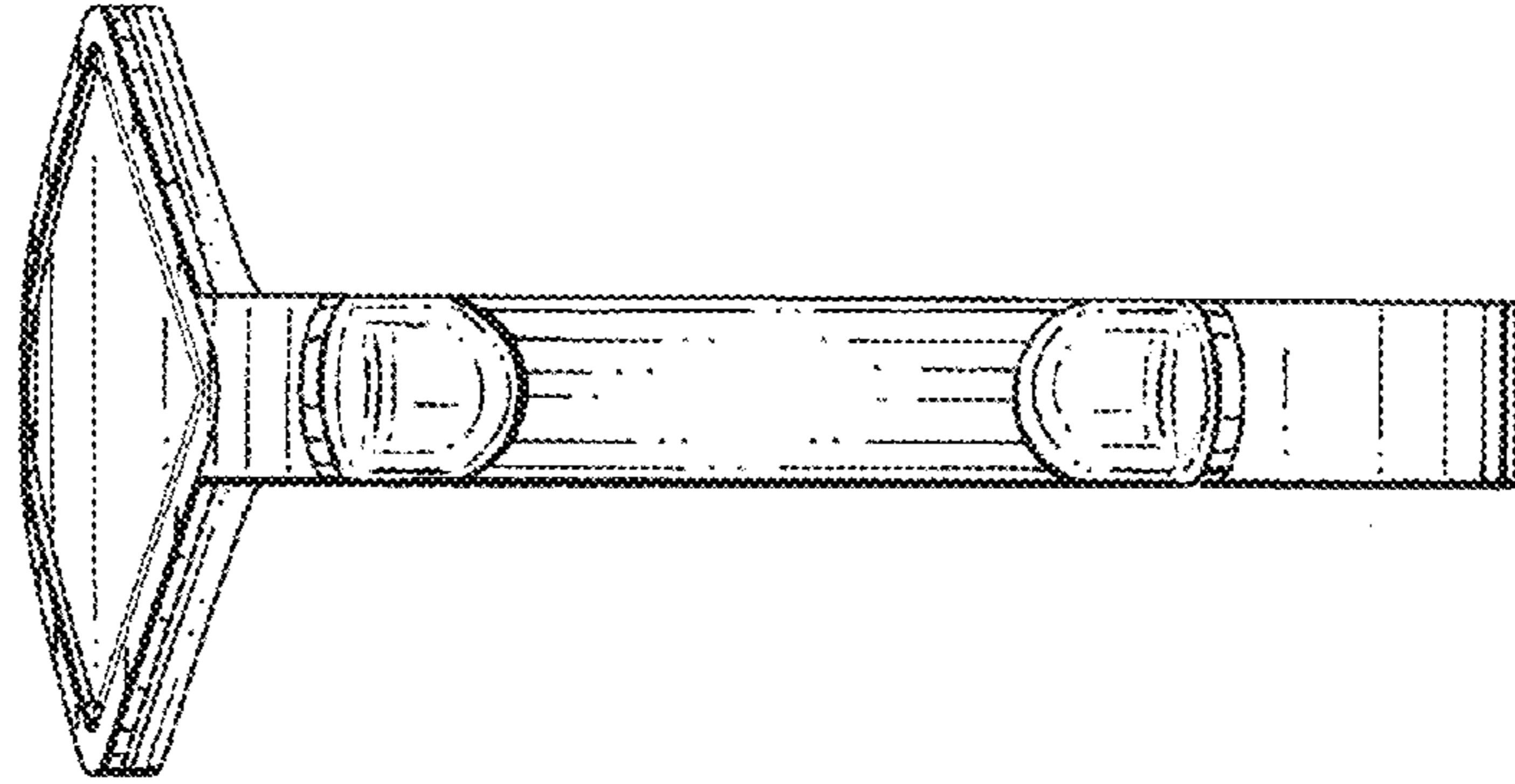


FIG. 12

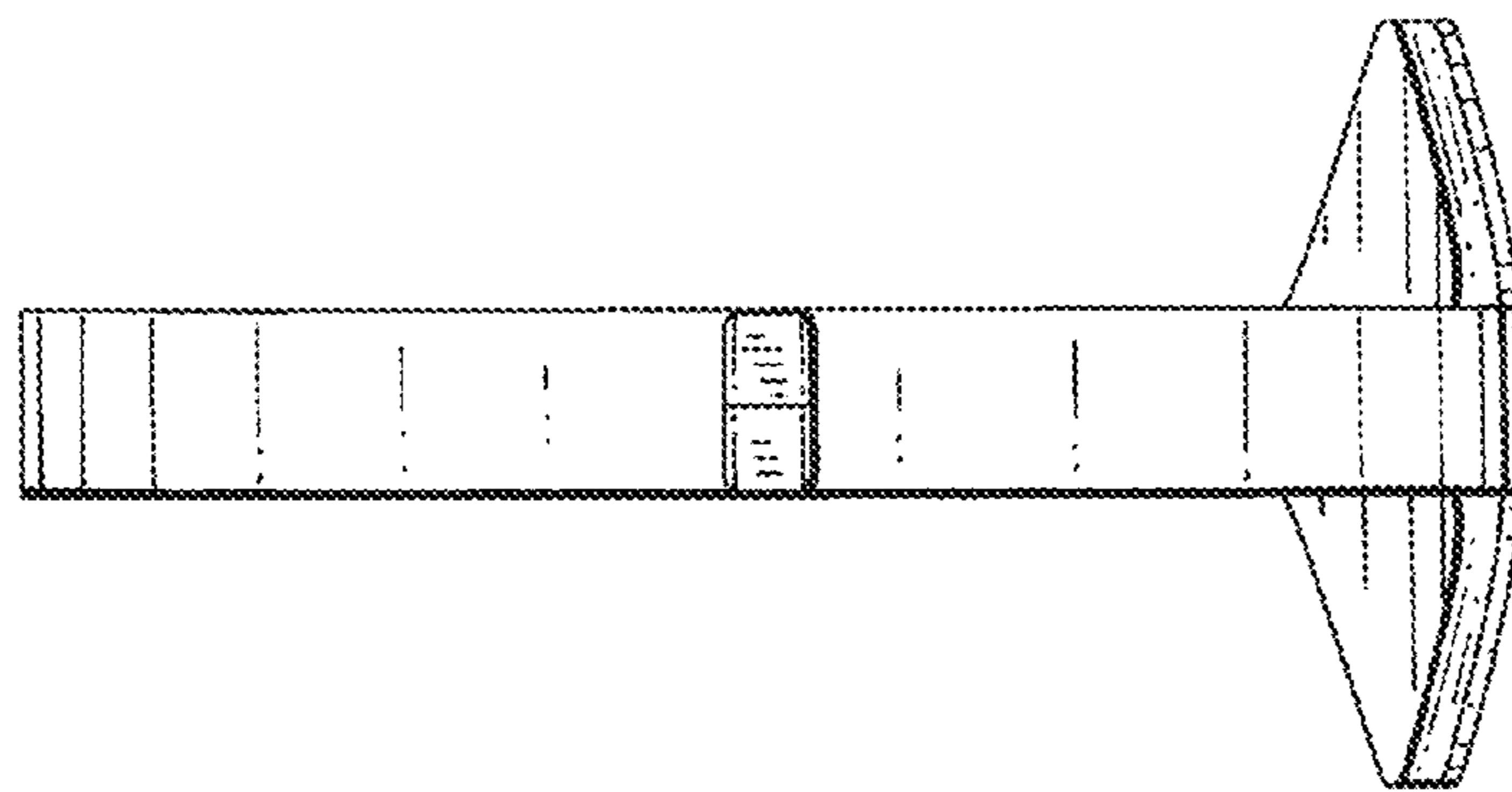


FIG. 13

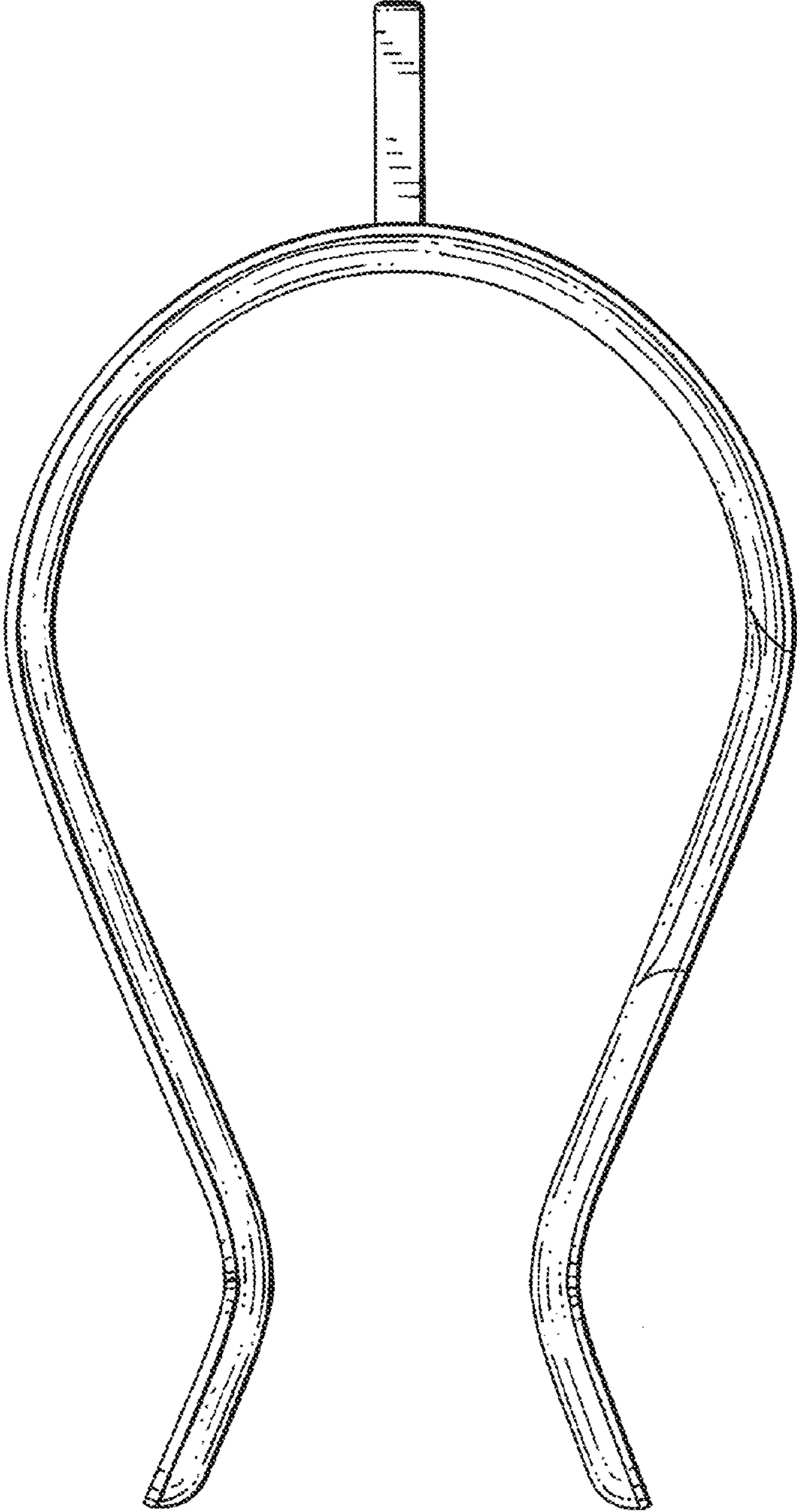


FIG. 15

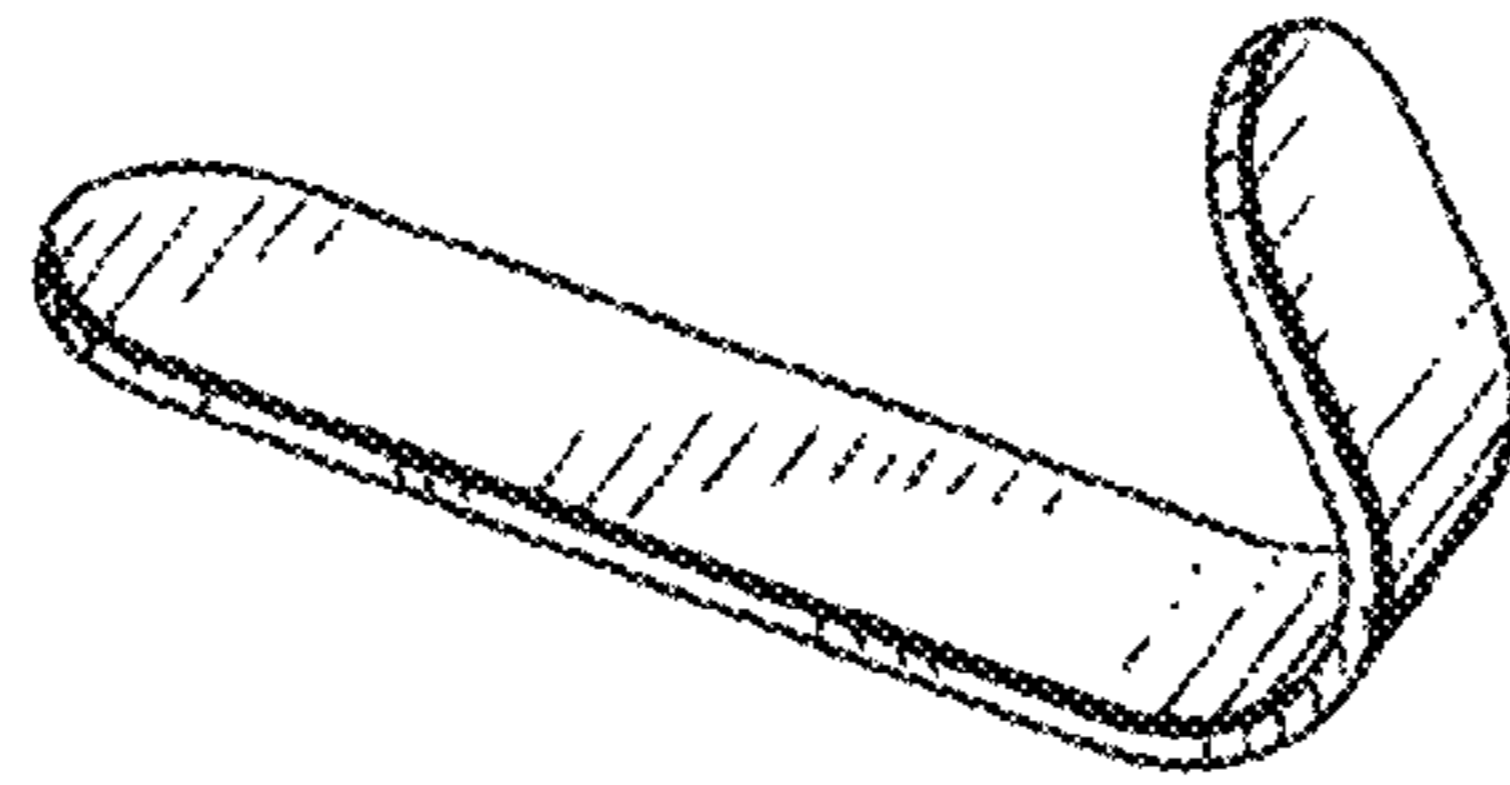


FIG. 16



FIG. 17



FIG. 18

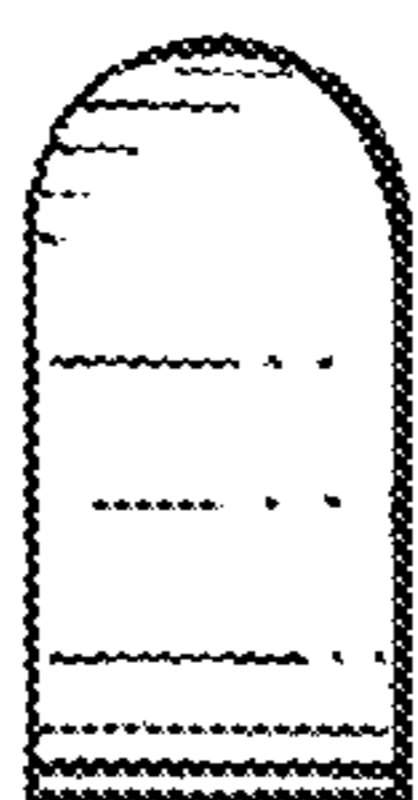


FIG. 19



FIG. 20



FIG. 21

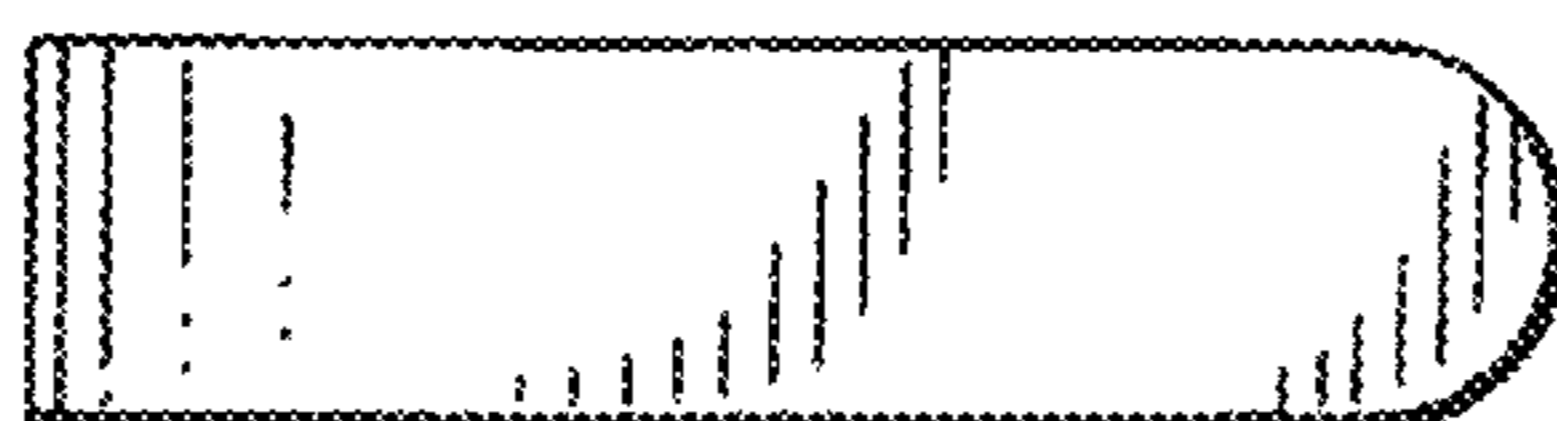


FIG. 22