



US00D707808S

(12) **United States Design Patent**  
**Wang**

(10) **Patent No.:** **US D707,808 S**  
(45) **Date of Patent:** **\*\* Jun. 24, 2014**

- (54) **CEILING FAN**
- (71) Applicant: **Air Cool Industrial Co., Ltd.**, Taichung (TW)
- (72) Inventor: **Cliff Wang**, Taichung (TW)
- (73) Assignee: **Air Cool Industrial Co., Ltd.**, Taichung (TW)
- (\*\*) Term: **14 Years**
- (21) Appl. No.: **29/437,935**
- (22) Filed: **Nov. 21, 2012**
- (51) **LOC (10) Cl.** ..... **23-04**
- (52) **U.S. Cl.**  
USPC ..... **D23/377; D23/385**
- (58) **Field of Classification Search**  
CPC ..... F04D 25/088; F04D 25/08; F04D 29/34;  
F04D 29/005; F04D 29/646; F04D 29/263;  
F04D 25/06; F04D 29/20; F04D 29/242;  
F04D 29/325; F04D 29/38; F04D 19/002;  
F04D 1/04; F04D 29/322; Y02E 10/721;  
F21V 33/0096; F21V 21/03; F21Y 2103/022;  
F21Y 2103/02; F03D 1/0691; F03D 3/005;  
F03D 1/0666; F03D 1/0675; F03D 3/002;  
F05B 2250/25  
USPC ..... D23/385, 370–384, 411–414, 386–394,  
D23/499; D12/327, 16.1, 326, 345;  
D21/442, 426, 430, 436, 441, 458;  
362/96, 294; 416/5, 170 R, 214 R, 184,  
416/206, 207, 210 R, 220 R, 244 R, 248;  
417/423.1; 392/364; 165/244;  
244/14.11, 17.21, 110 E, 183; D2/869  
See application file for complete search history.

1,699,201 A *	1/1929	Guth	.....	416/181
1,777,013 A *	9/1930	Ness	.....	416/234
2,119,398 A *	5/1938	Morse	.....	416/5
D155,437 S *	10/1949	Molin	.....	D2/869
4,073,598 A *	2/1978	Mizutani et al.	.....	416/5
D265,502 S *	7/1982	Kearnes	.....	D23/379
4,342,073 A *	7/1982	Ranten	.....	362/294
4,506,849 A *	3/1985	Lemont	.....	244/17.21
4,592,702 A *	6/1986	Bogage	.....	416/247 R
D285,720 S *	9/1986	Markwardt	.....	D23/377
D297,360 S *	8/1988	Cheslock	.....	D23/385
D312,305 S *	11/1990	Weatherford	.....	D23/377
D312,688 S *	12/1990	Mason	.....	D23/377
5,135,365 A *	8/1992	Bogage	.....	417/423.15
D331,101 S *	11/1992	Rezek	.....	D23/377
D345,790 S *	4/1994	Caldwell	.....	D23/377
D346,210 S *	4/1994	Holbrook	.....	D23/377
5,645,403 A *	7/1997	Bogage	.....	416/235
D475,775 S *	6/2003	Da Costa	.....	D23/377
D477,127 S *	7/2003	Lamb	.....	D2/869

(Continued)

*Primary Examiner* — Susan Bennett Hattan  
*Assistant Examiner* — Marie Fast Horse  
(74) *Attorney, Agent, or Firm* — Ming Chow; Sinorica, LLC

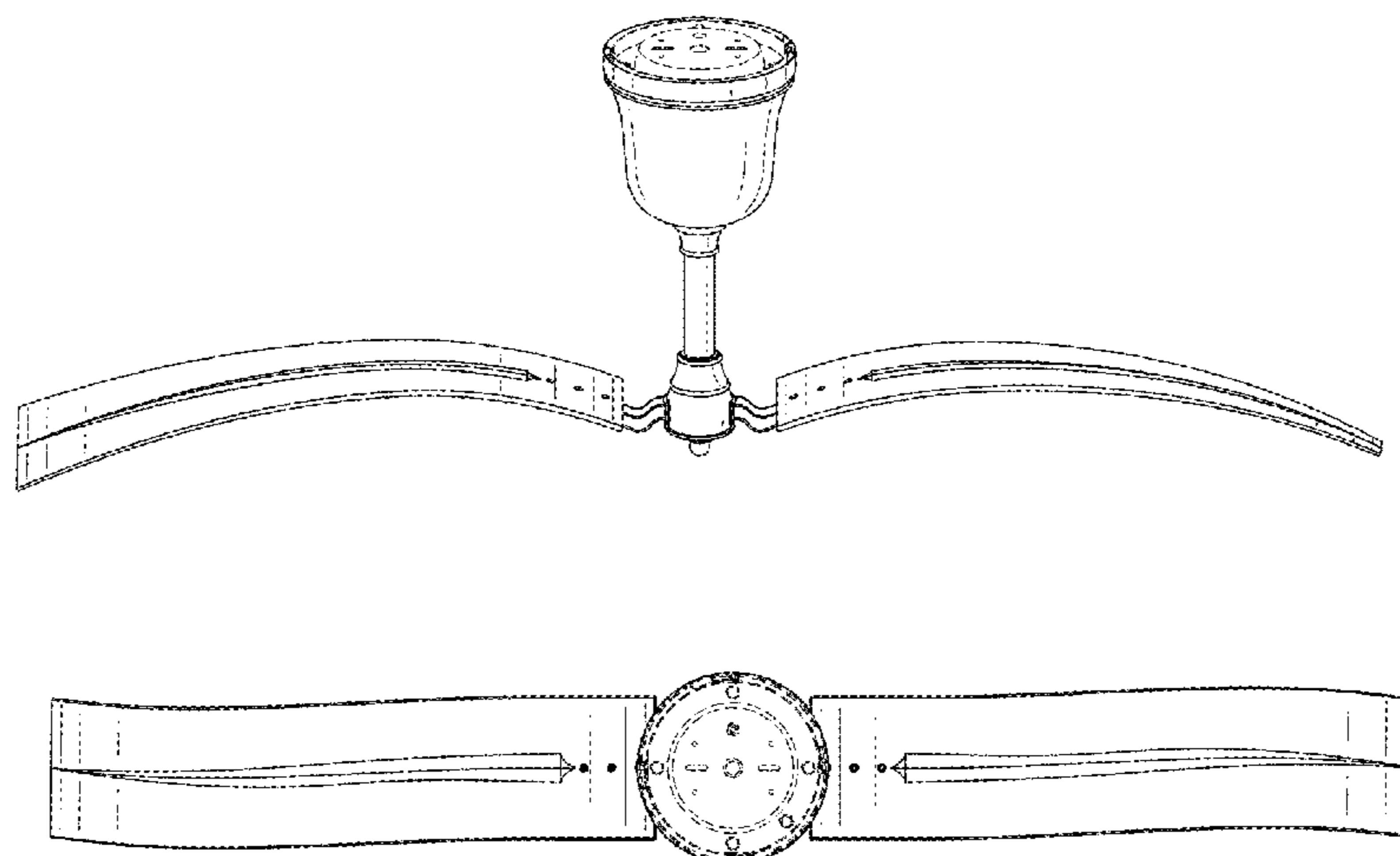
(57) **CLAIM**  
I claim the ornamental design for a ceiling fan, as shown and described.

**DESCRIPTION**

FIG. 1 is a front perspective view of a ceiling fan showing my new design;  
FIG. 2 is a front elevational view thereof;  
FIG. 3 is a rear elevational view thereof.  
FIG. 4 is a left side elevational view thereof;  
FIG. 5 is a right side elevational view thereof;  
FIG. 6 is a top plan view thereof; and,  
FIG. 7 is a bottom plan view thereof.  
The broken lines in the drawings depict environmental subject matter only and form no part of the claimed design.

- (56) **References Cited**  
U.S. PATENT DOCUMENTS  
1,133,191 A \* 3/1915 Staples ..... 416/214 R

**1 Claim, 4 Drawing Sheets**



(56)

**References Cited**

U.S. PATENT DOCUMENTS

D480,473 S \* 10/2003 Thomas, Jr. .... D23/413  
D490,510 S \* 5/2004 Cohen ..... D23/379  
6,884,034 B1 \* 4/2005 Parker et al. .... 416/1  
D505,723 S \* 5/2005 Young ..... D23/411  
D514,731 S \* 2/2006 Engel ..... D26/88  
D516,197 S \* 2/2006 Young ..... D23/411  
D529,163 S \* 9/2006 Young ..... D23/377  
D547,433 S \* 7/2007 Wang ..... D23/411

D599,461 S \* 9/2009 Ertze ..... D23/377  
D608,935 S \* 1/2010 Pedersen ..... D26/85  
D671,635 S \* 11/2012 Pan ..... D23/413  
D678,997 S \* 3/2013 Gajewski ..... D23/413  
D680,210 S \* 4/2013 Chan ..... D23/377  
2004/0191087 A1 \* 9/2004 Liu ..... 417/326  
2005/0002791 A1 \* 1/2005 Bird et al. .... 416/210 R  
2009/0129974 A1 \* 5/2009 McEllen ..... 422/24  
2011/0305571 A1 \* 12/2011 Heim et al. .... 416/62  
2012/0177496 A1 \* 7/2012 Gajewski ..... 416/204 R  
2012/0256042 A1 \* 10/2012 Altmikus et al. .... 244/17.21

\* cited by examiner

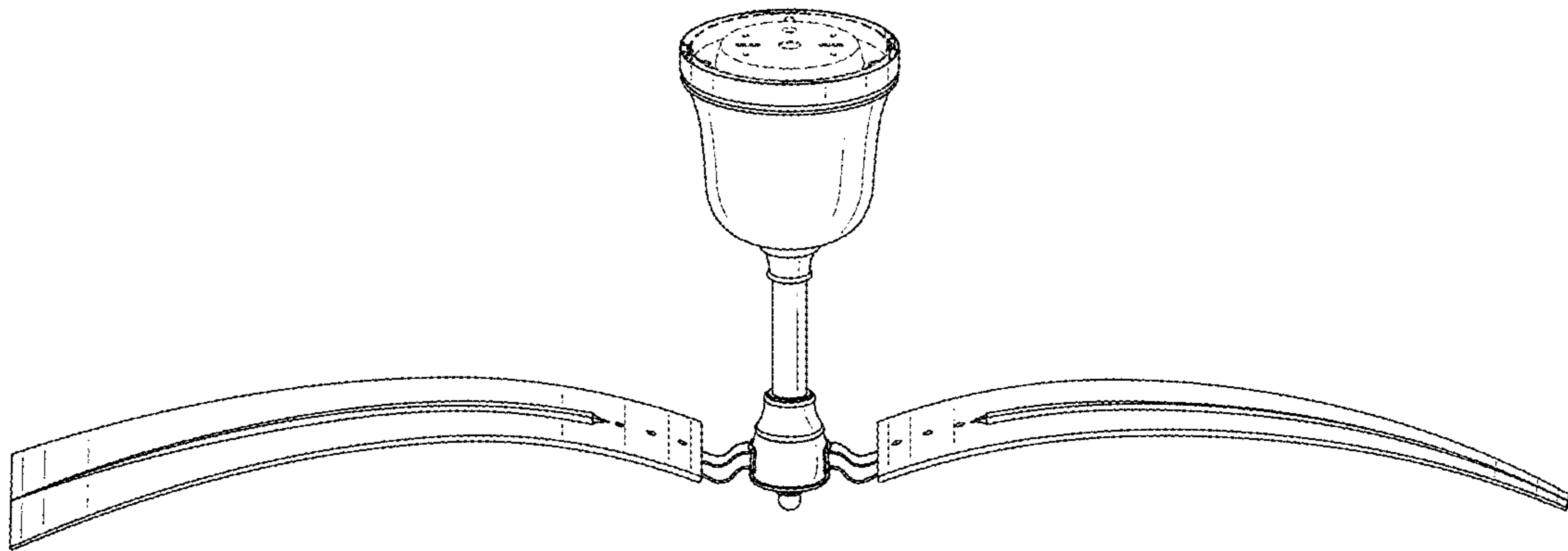


FIG. 1

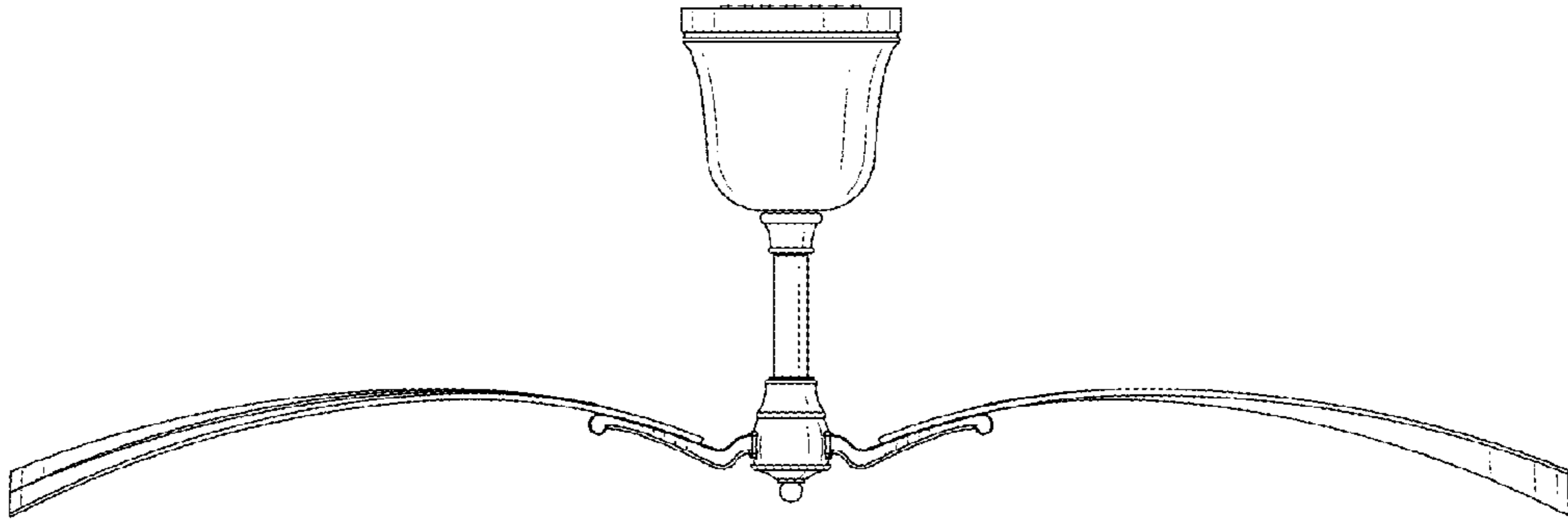


FIG. 2

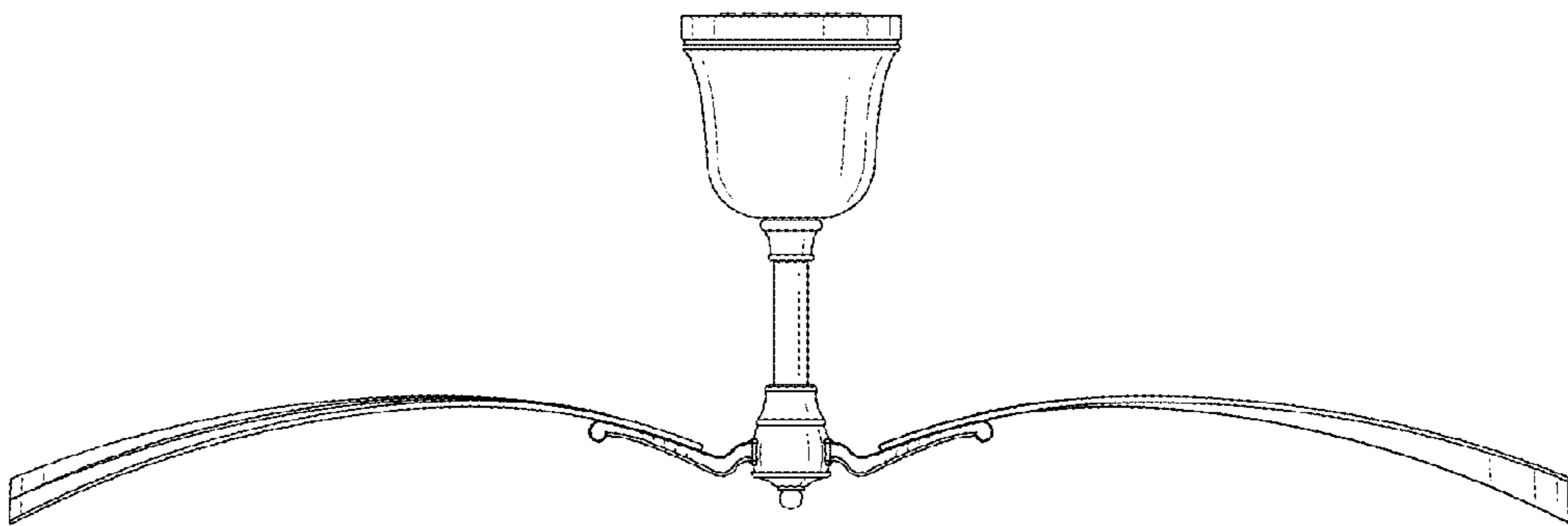


FIG. 3

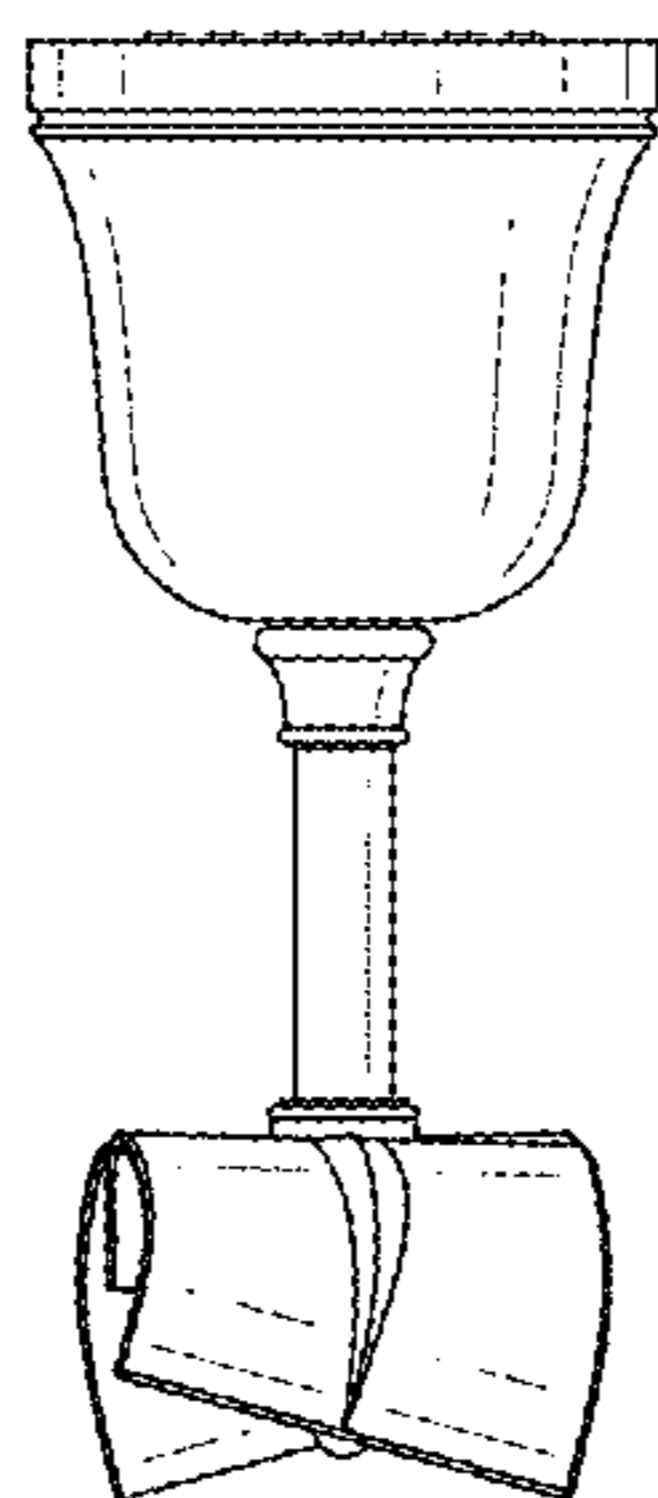


FIG. 4

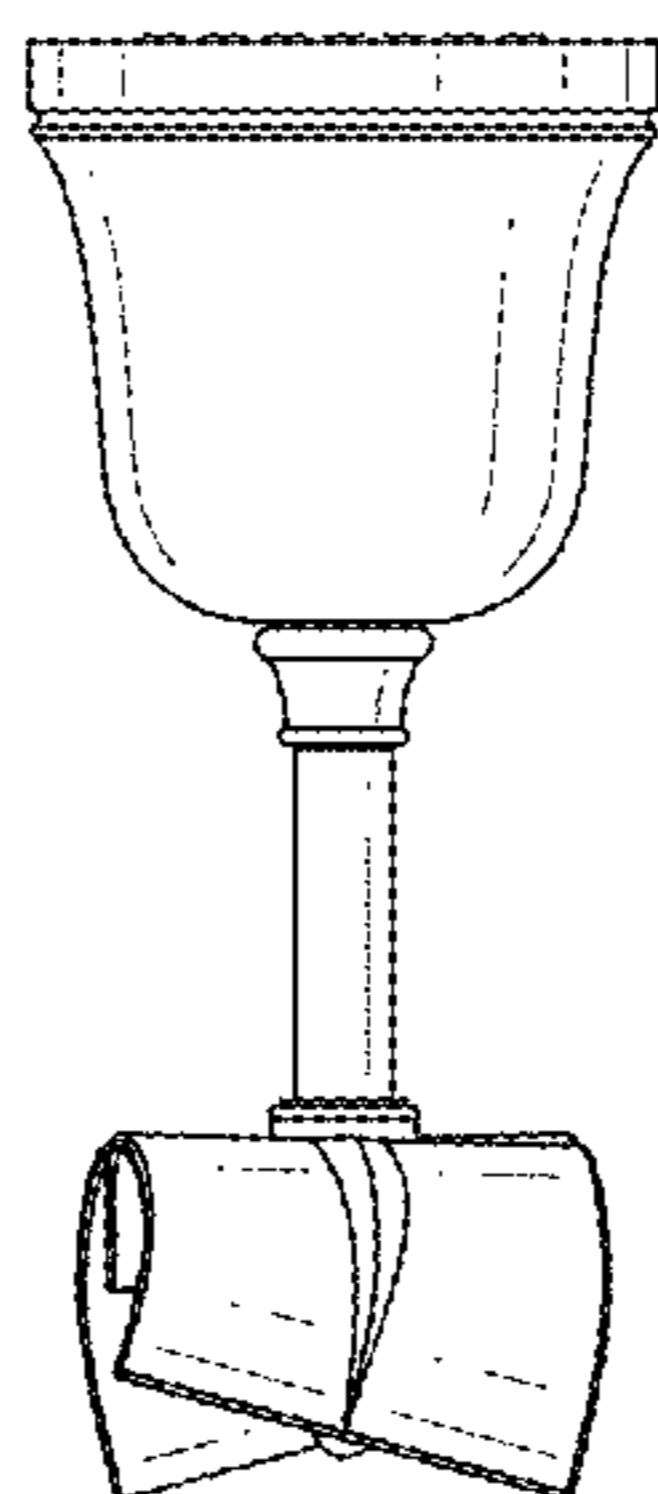


FIG. 5

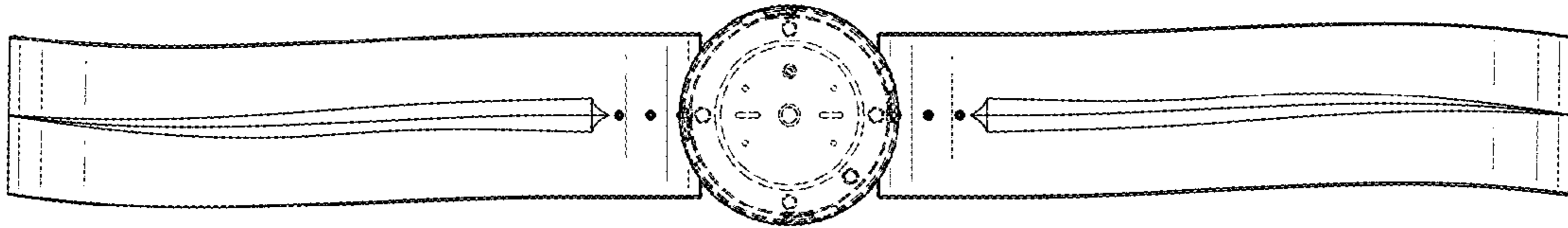


FIG. 6

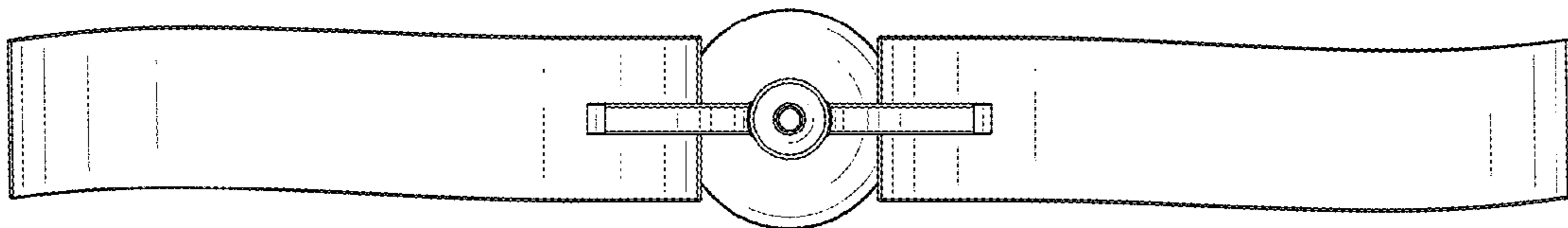


FIG. 7