



US00D707807S

(12) **United States Design Patent**
Pan

(10) **Patent No.:** **US D707,807 S**
(45) **Date of Patent:** **** Jun. 24, 2014**

- (54) **COMBINED CEILING FAN AND LIGHT KIT**
- (71) Applicant: **Air Cool Industrial Co., Ltd.**, Taichung (TW)
- (72) Inventor: **Peter Pan**, Taichung (TW)
- (73) Assignee: **Air Cool Industrial Co., Ltd.**, Taichung (TW)
- (**) Term: **14 Years**
- (21) Appl. No.: **29/437,445**
- (22) Filed: **Nov. 16, 2012**
- (51) **LOC (10) Cl.** **23-04**
- (52) **U.S. Cl.**
USPC **D23/377; D23/385**
- (58) **Field of Classification Search**
CPC F04D 25/088; F04D 25/08; F04D 29/34;
F04D 29/005; F04D 29/646; F04D 29/263;
F04D 25/06; F04D 29/20; F04D 29/242;
F04D 29/325; F04D 29/38; F04D 19/002;
F04D 1/04; F04D 29/322; Y02E 10/721;
F21V 33/0096; F21V 21/03; F21Y 2103/022;
F21Y 2103/02; F03D 1/0691; F03D 3/005;
F03D 1/0666; F03D 1/0675; F03D 3/002;
F05B 2250/25
USPC D23/385, 370–384, 411–414, 386–394,
D23/499; D26/51, 59, 72, 73, 80–86,
D26/88–90; 165/244; 362/96, 294; 416/5,
416/170 R, 214 R, 184, 206, 207, 21 OR,
416/220 R, 244 R, 248; 417/423.1; 392/364
See application file for complete search history.

(56) **References Cited**
U.S. PATENT DOCUMENTS

D279,216 S *	6/1985	Mango et al.	D23/362
5,174,648 A *	12/1992	Clary et al.	362/228
D363,346 S *	10/1995	Wang	D23/377

D382,954 S *	8/1997	Liu	D23/377
D426,015 S *	5/2000	Chen	D26/85
D431,090 S *	9/2000	Hsieh	D26/85
D478,976 S *	8/2003	Young	D23/377
D485,344 S *	1/2004	Tai	D23/377
D503,824 S *	4/2005	Curtin	D26/89
D503,992 S *	4/2005	Curtin	D26/88
D506,542 S *	6/2005	Thomas, Jr.	D23/411
D525,698 S *	7/2006	Wang	D23/377
D527,090 S *	8/2006	Pan	D23/377
D532,099 S *	11/2006	Glasbrenner	D23/411
D539,967 S *	4/2007	Hsu	D26/89
D547,433 S *	7/2007	Wang	D23/411
D548,830 S *	8/2007	Pickett	D23/411
D551,757 S *	9/2007	Ertze	D23/411
D553,785 S *	10/2007	Dye	D26/88
D557,789 S *	12/2007	Pickett	D23/411
D573,242 S *	7/2008	Pan	D23/377
D580,545 S *	11/2008	Pickett	D23/411
D593,194 S *	5/2009	Pan	D23/377

(Continued)

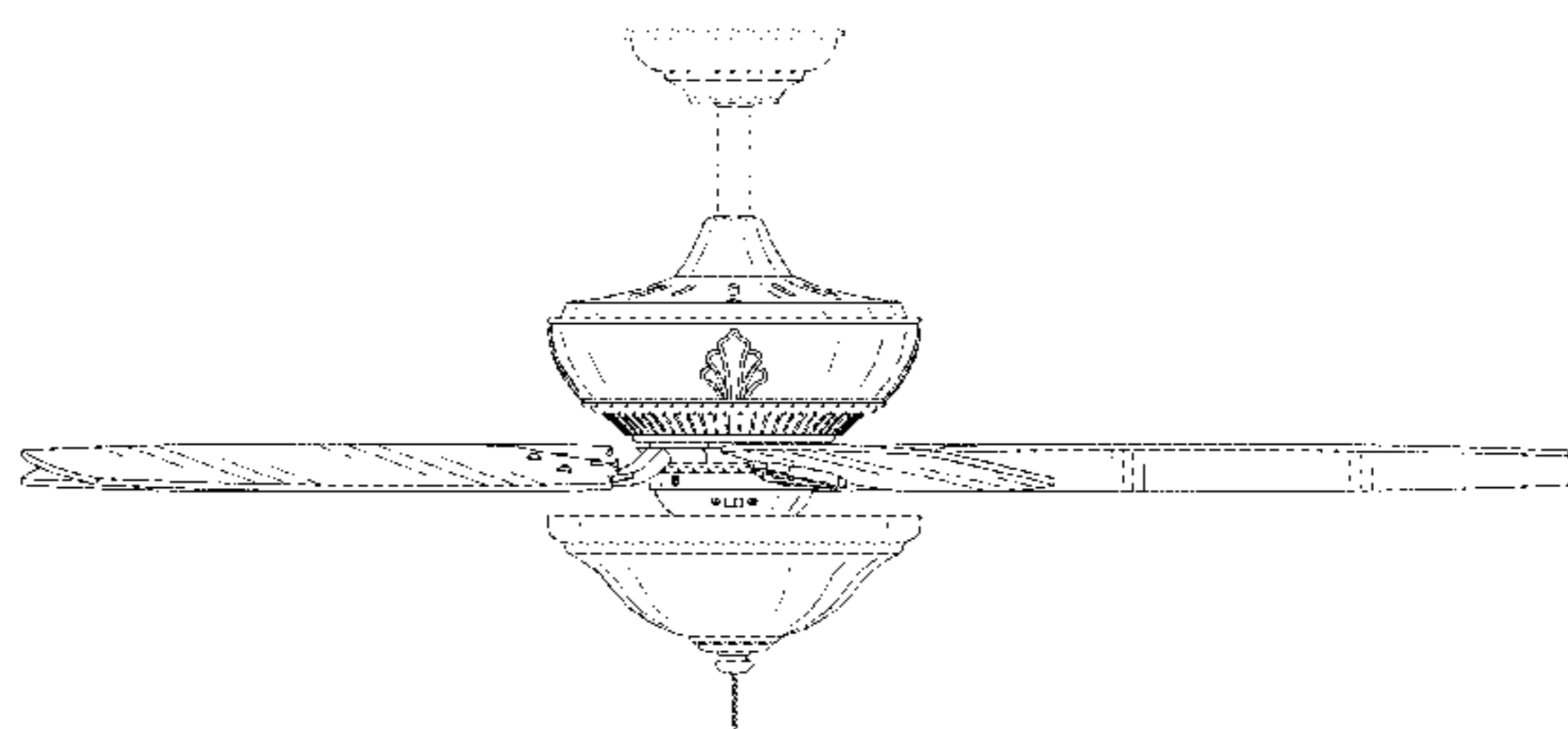
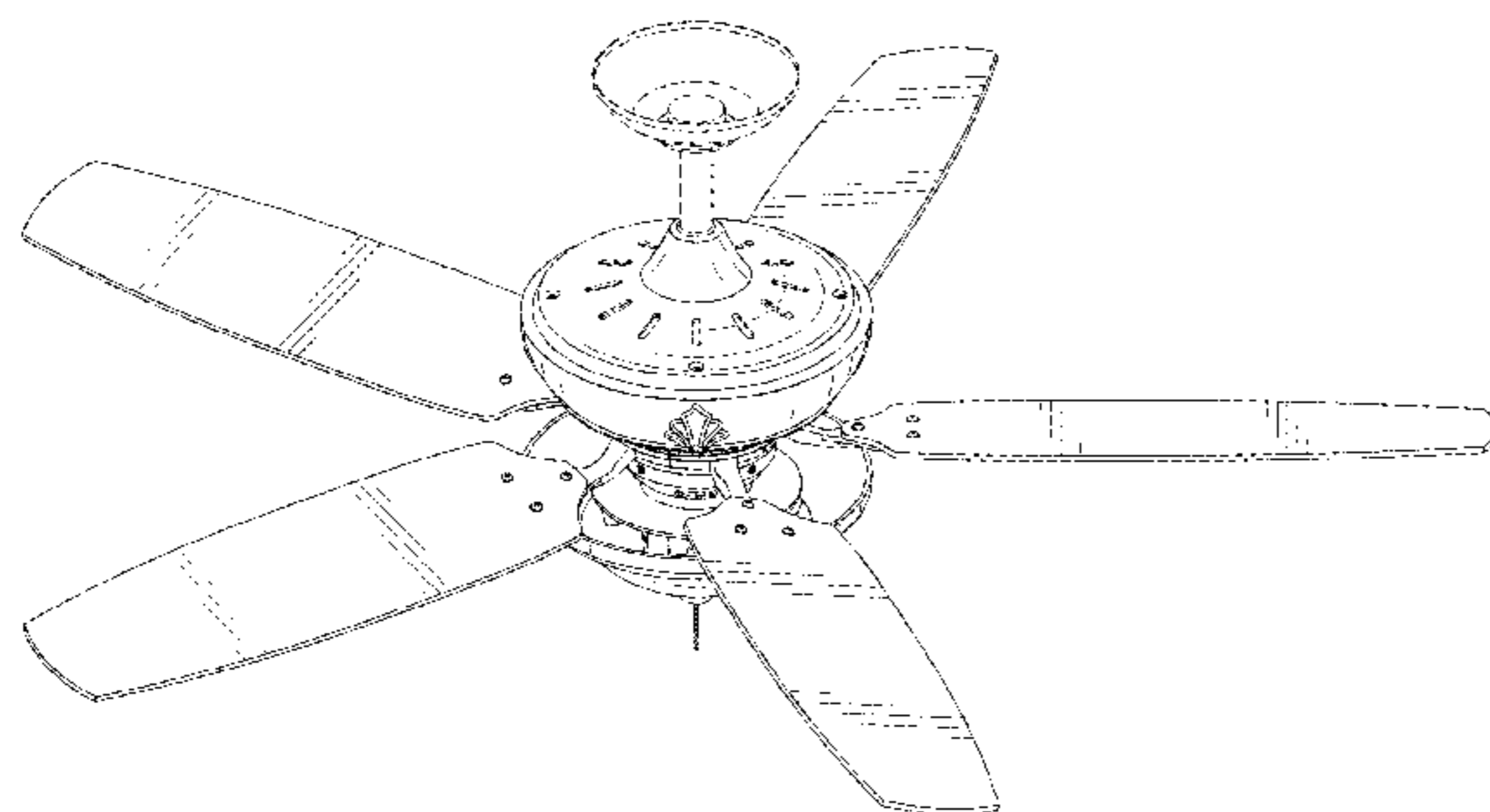
Primary Examiner — Susan Bennett Hattan
Assistant Examiner — Marie Fast Horse
(74) *Attorney, Agent, or Firm* — Ming Chow; Sinorica, LLC

(57) **CLAIM**
I claim the ornamental design for a combined ceiling fan and light kit, as shown and described.

DESCRIPTION

FIG. 1 is a front perspective view of a combined ceiling fan and light kit showing my new design;
FIG. 2 is a front elevational view thereof;
FIG. 3 is a rear elevational view thereof.
FIG. 4 is a left side elevational view thereof;
FIG. 5 is a right side elevational view thereof;
FIG. 6 is a top plan view thereof; and,
FIG. 7 is a bottom plan view thereof.
The broken lines in the drawings depict environmental subject matter only and form no part of the claimed design.

1 Claim, 5 Drawing Sheets



(56)

References Cited

U.S. PATENT DOCUMENTS

D594,543 S *	6/2009	Pan	D23/377	D627,046 S *	11/2010	Wang	D23/377
D621,497 S *	8/2010	Chen	D23/377	D627,047 S *	11/2010	Shurtleff	D23/377
D626,207 S *	10/2010	Searle	D23/377	D627,052 S *	11/2010	Pan	D23/411
D626,211 S *	10/2010	Wang	D23/411	D627,455 S *	11/2010	Pan	D23/411
D626,212 S *	10/2010	Shurtleff	D23/411	D627,870 S *	11/2010	Wang	D23/411
					D628,286 S *	11/2010	Yang	D23/411
					D629,148 S *	12/2010	Chen	D26/89
					D671,202 S *	11/2012	Searle	D23/377

* cited by examiner

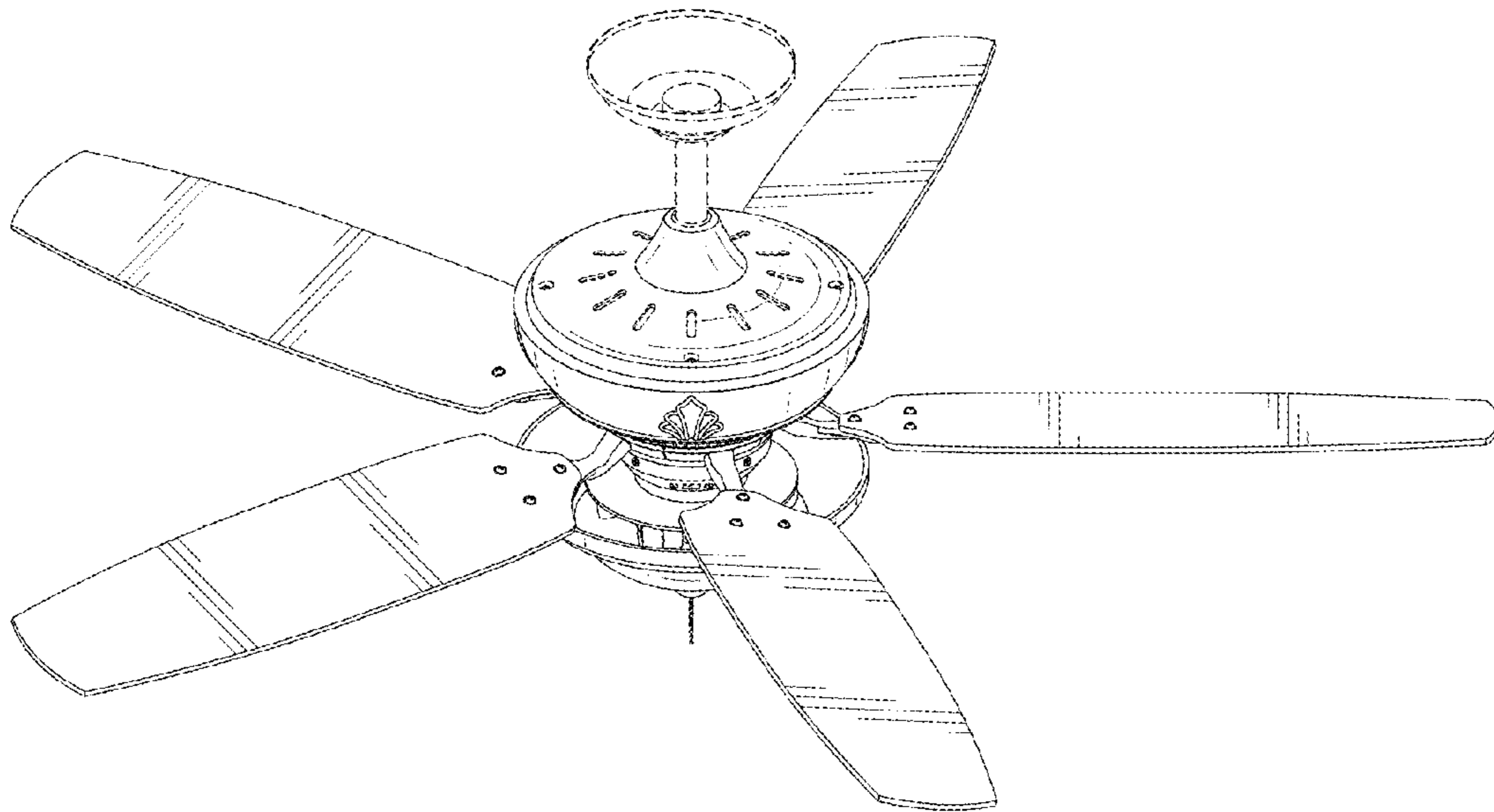


FIG. 1

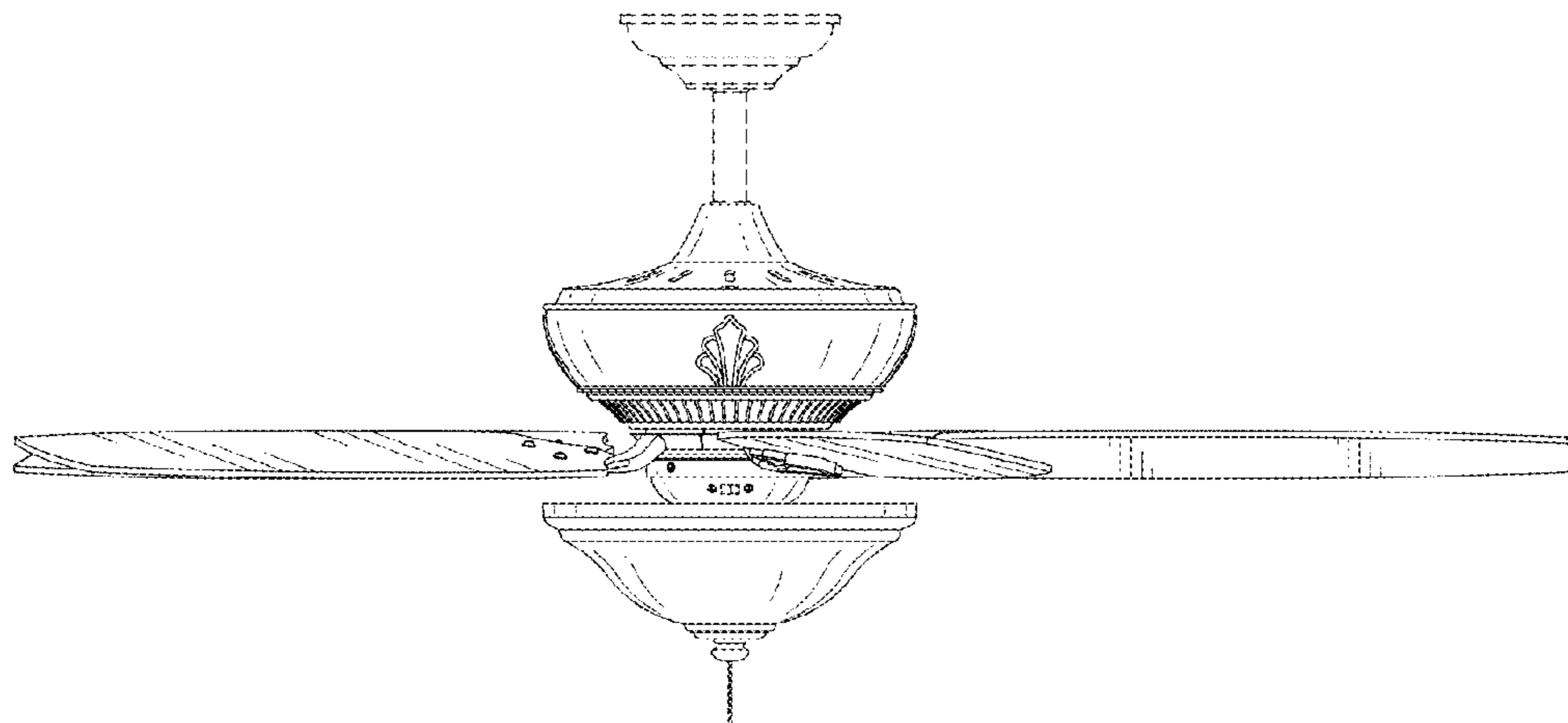


FIG. 2

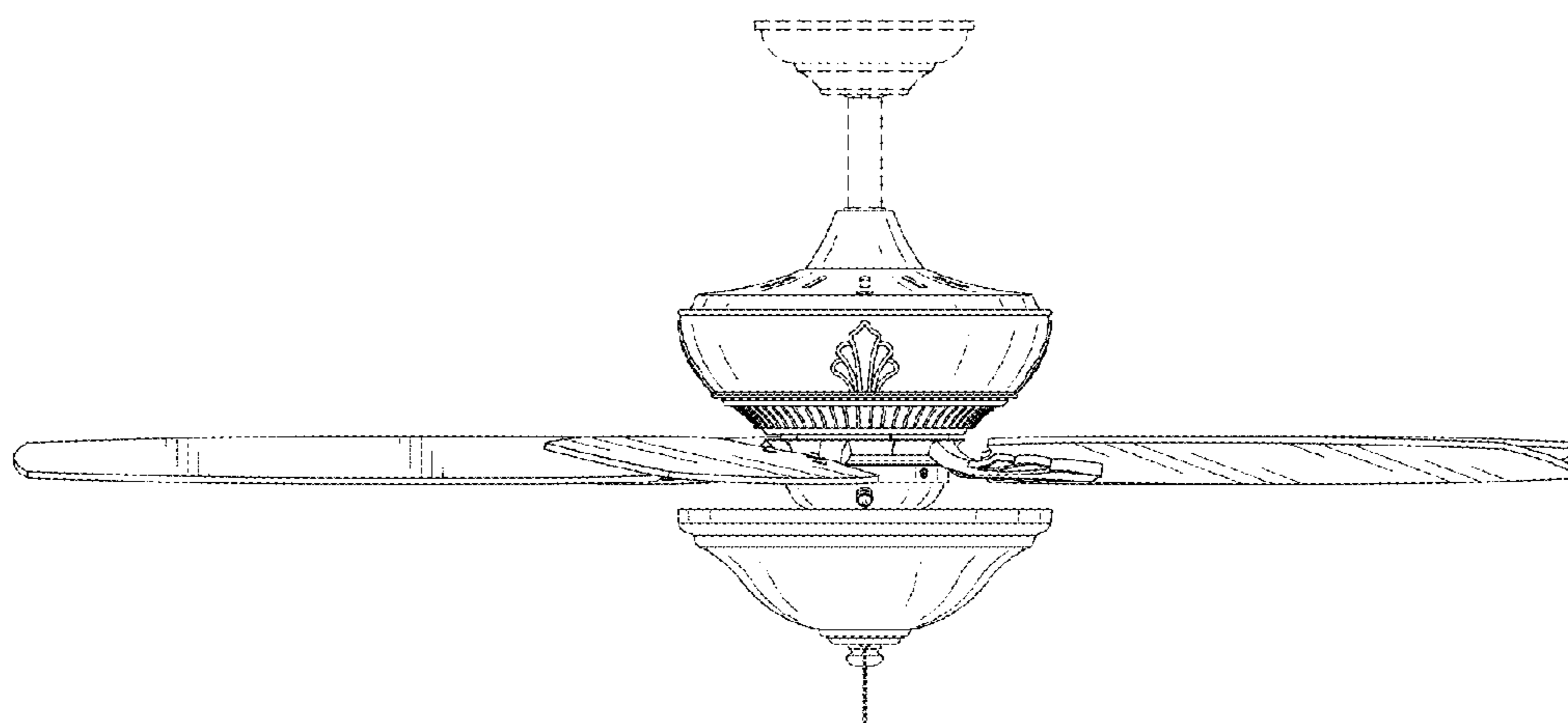


FIG. 3

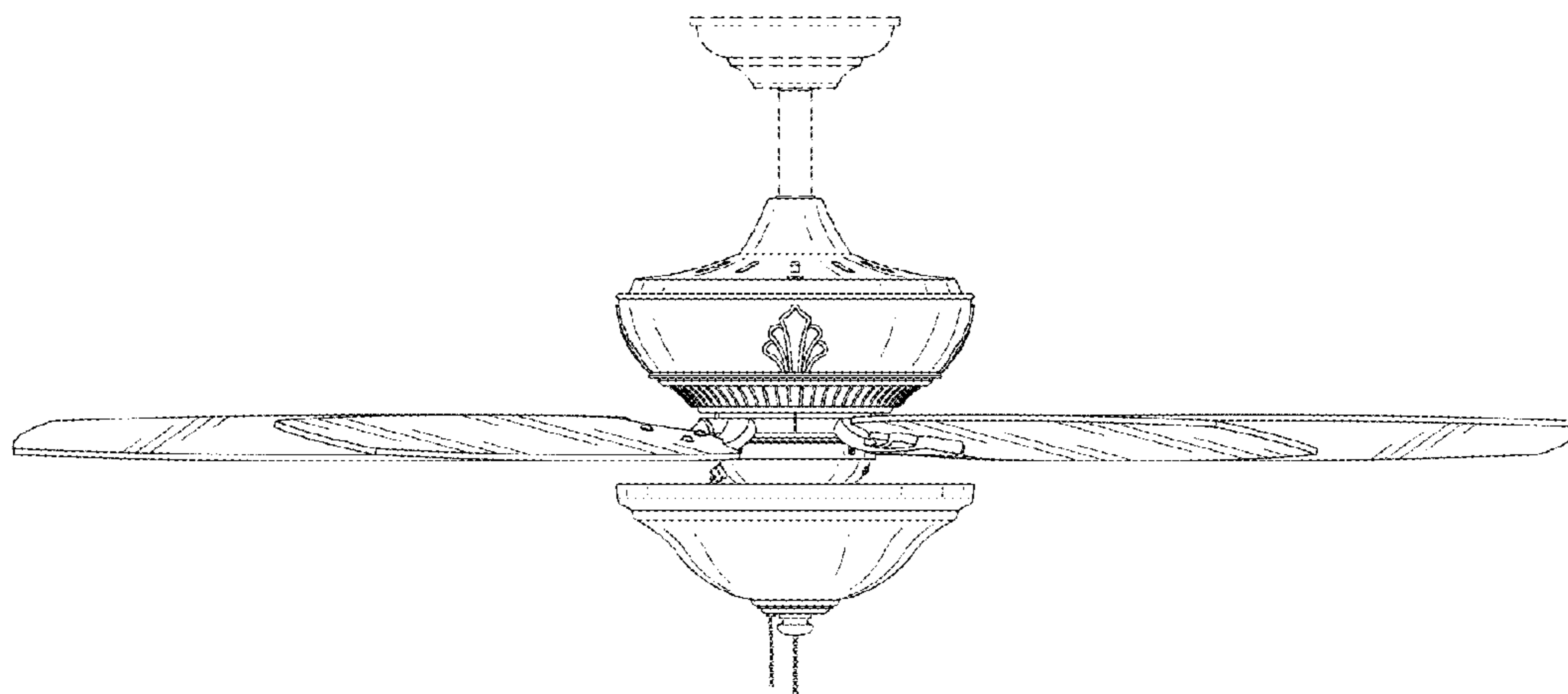


FIG. 4

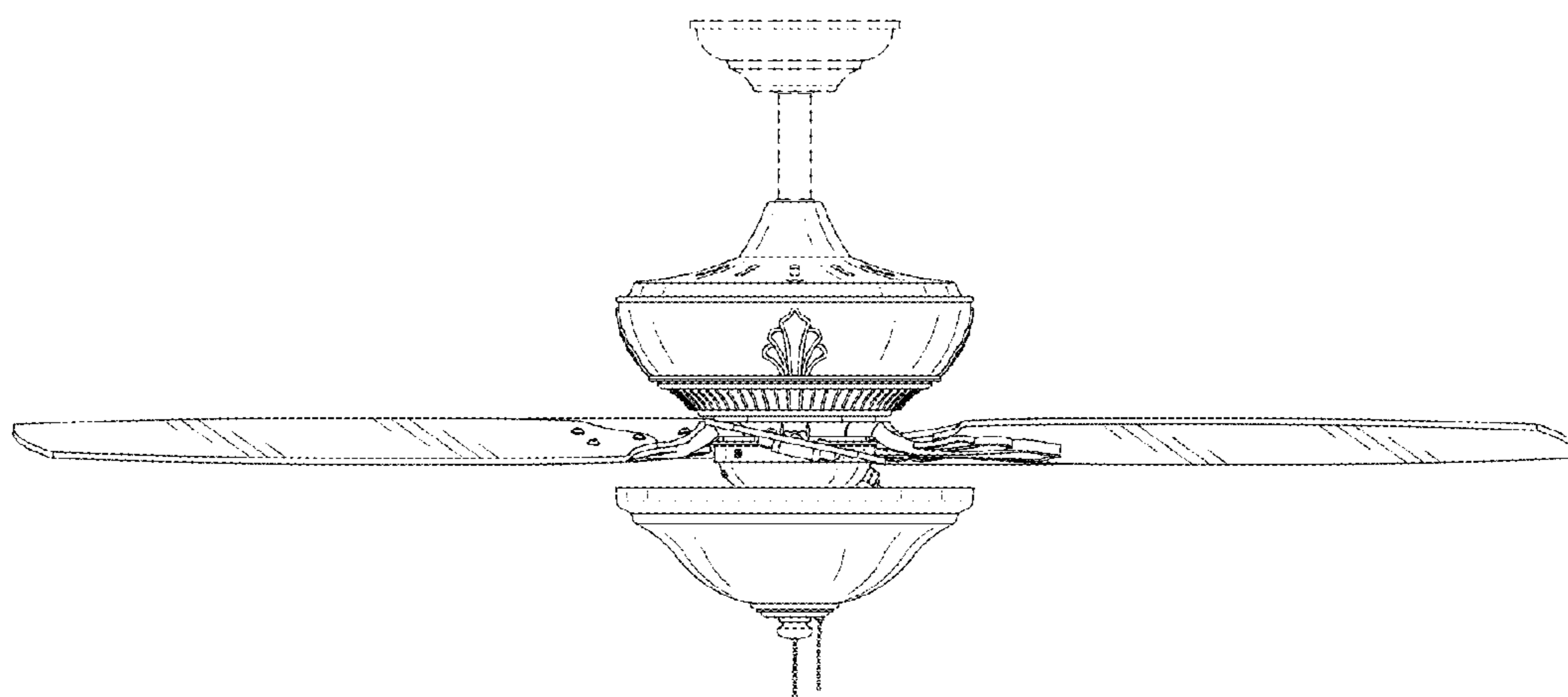


FIG. 5

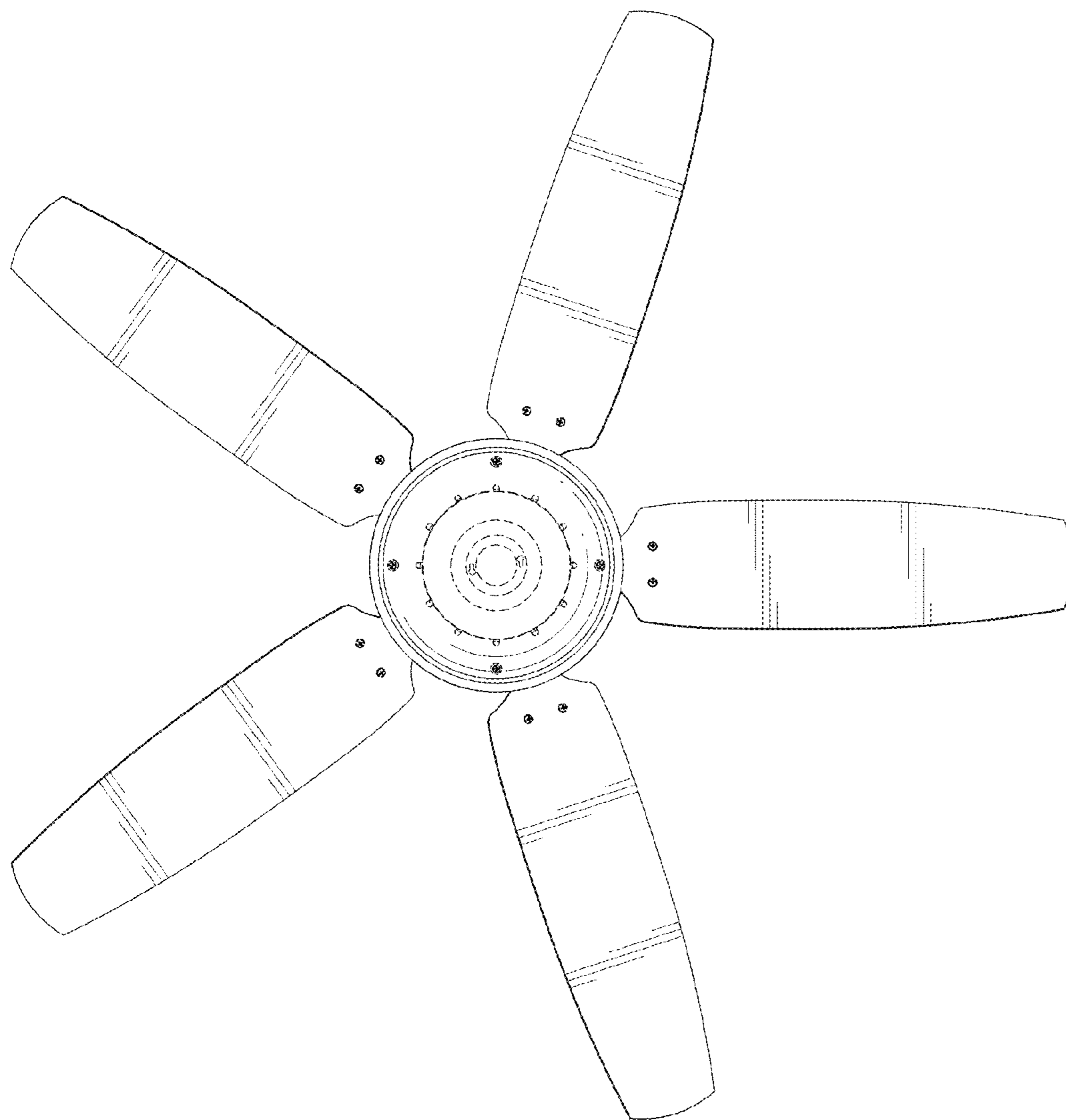


FIG. 6

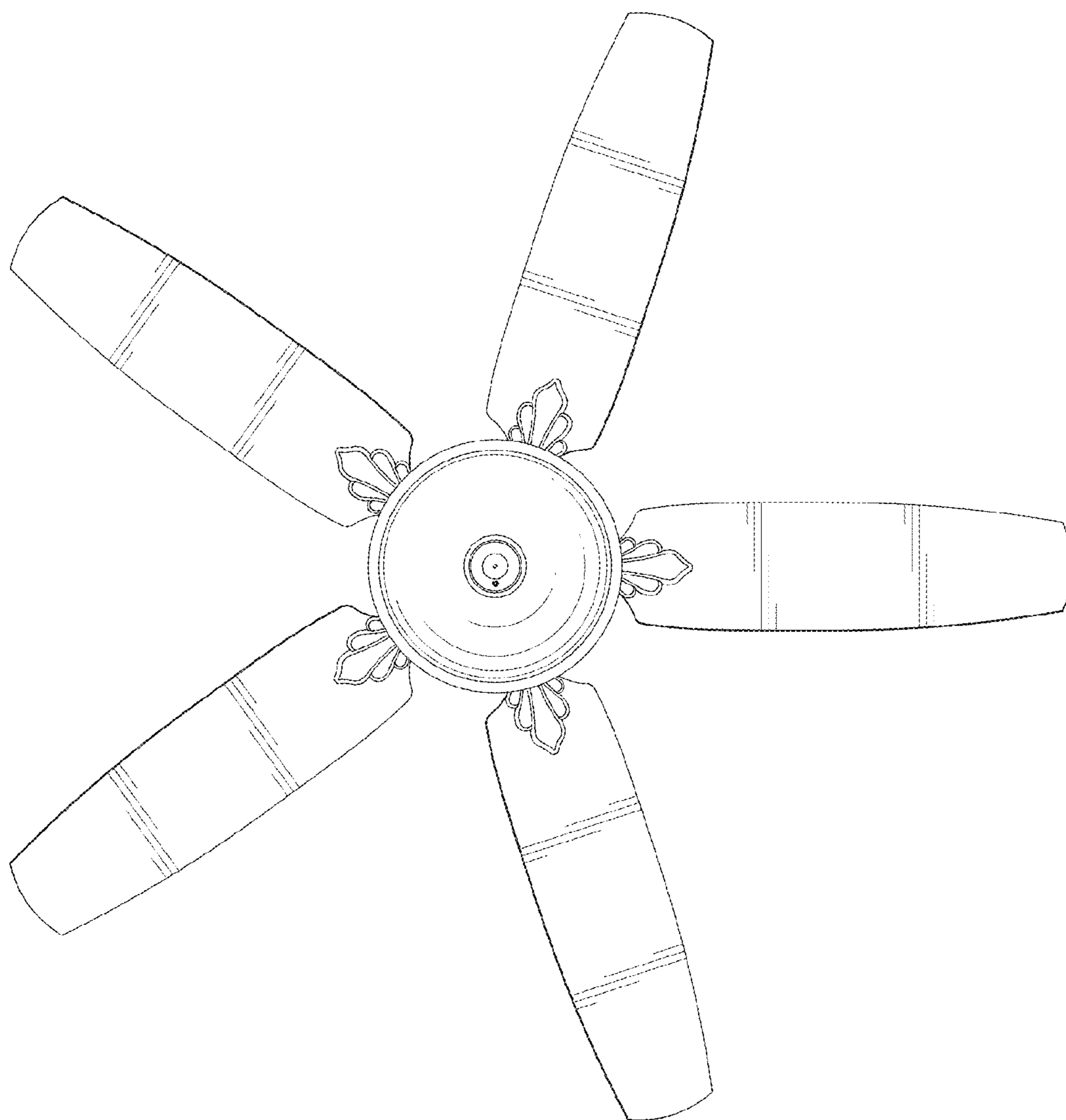


FIG. 7