



US00D707802S

(12) **United States Design Patent**
Jepson

(10) **Patent No.:** **US D707,802 S**
(45) **Date of Patent:** **** Jun. 24, 2014**

- (54) **SINK**
- (71) Applicant: **Artika for Living Inc.**, Dorval (CA)
- (72) Inventor: **Raymond Jepson**, Montreal (CA)
- (73) Assignee: **Artika for Living Inc.**, Dorval (CA)
- (**) Term: **14 Years**
- (21) Appl. No.: **29/466,955**
- (22) Filed: **Sep. 13, 2013**
- (30) **Foreign Application Priority Data**

- Mar. 19, 2013 (CA) 150250
- (51) **LOC (10) Cl.** **23-02**
- (52) **U.S. Cl.**
- USPC **D23/290**
- (58) **Field of Classification Search**
- USPC D23/284, 303, 308, 290, 277; 4/546,
4/639-640, 642, 657, 538; D32/55-57
- See application file for complete search history.

(56) **References Cited**
U.S. PATENT DOCUMENTS

- 2,045,965 A * 6/1936 Rosen 4/654
- 5,181,285 A * 1/1993 Kolada 4/657

- 5,577,289 A * 11/1996 Russell 4/657
- D648,838 S * 11/2011 Booth D23/290
- D669,562 S * 10/2012 Booth D23/290

* cited by examiner

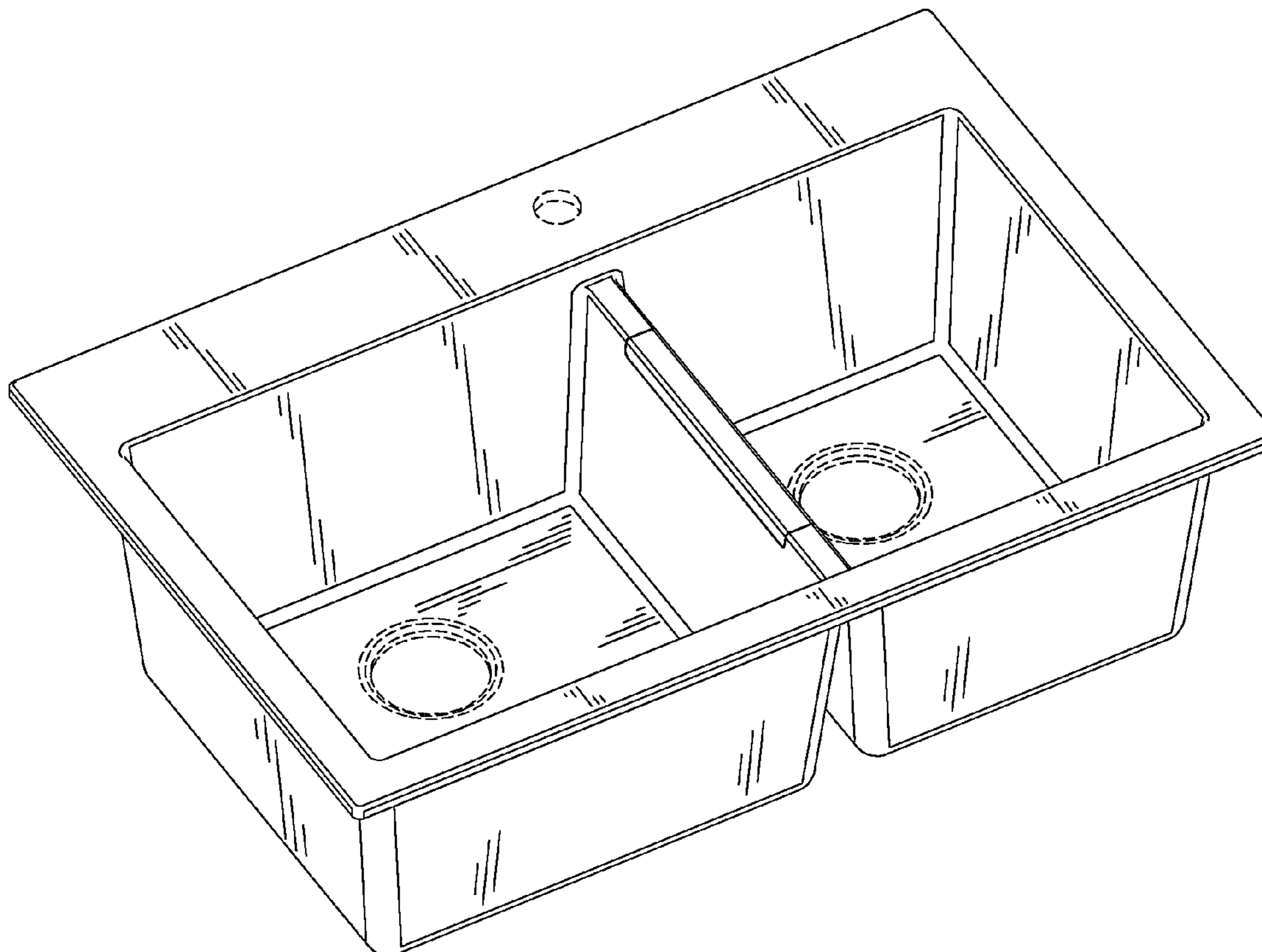
Primary Examiner — Robert Delehanty
(74) *Attorney, Agent, or Firm* — Brouillette & Partners;
Francois Cartier; Robert Brouillette

(57) **CLAIM**
The ornamental design for a sink, as shown and described.

DESCRIPTION

FIG. 1 is a front perspective view of the sink;
FIG. 2 is a rear perspective view of the sink;
FIG. 3 is a top view of the sink;
FIG. 4 is a front view of the sink;
FIG. 5 is a right side view of the sink;
FIG. 6 is a left side view of the sink;
FIG. 7 is a rear view of the sink; and,
FIG. 8 is a bottom view of the sink.
The elements and structures shown in dashed lines are shown for illustration purposes only and do not form part of the design.

1 Claim, 5 Drawing Sheets



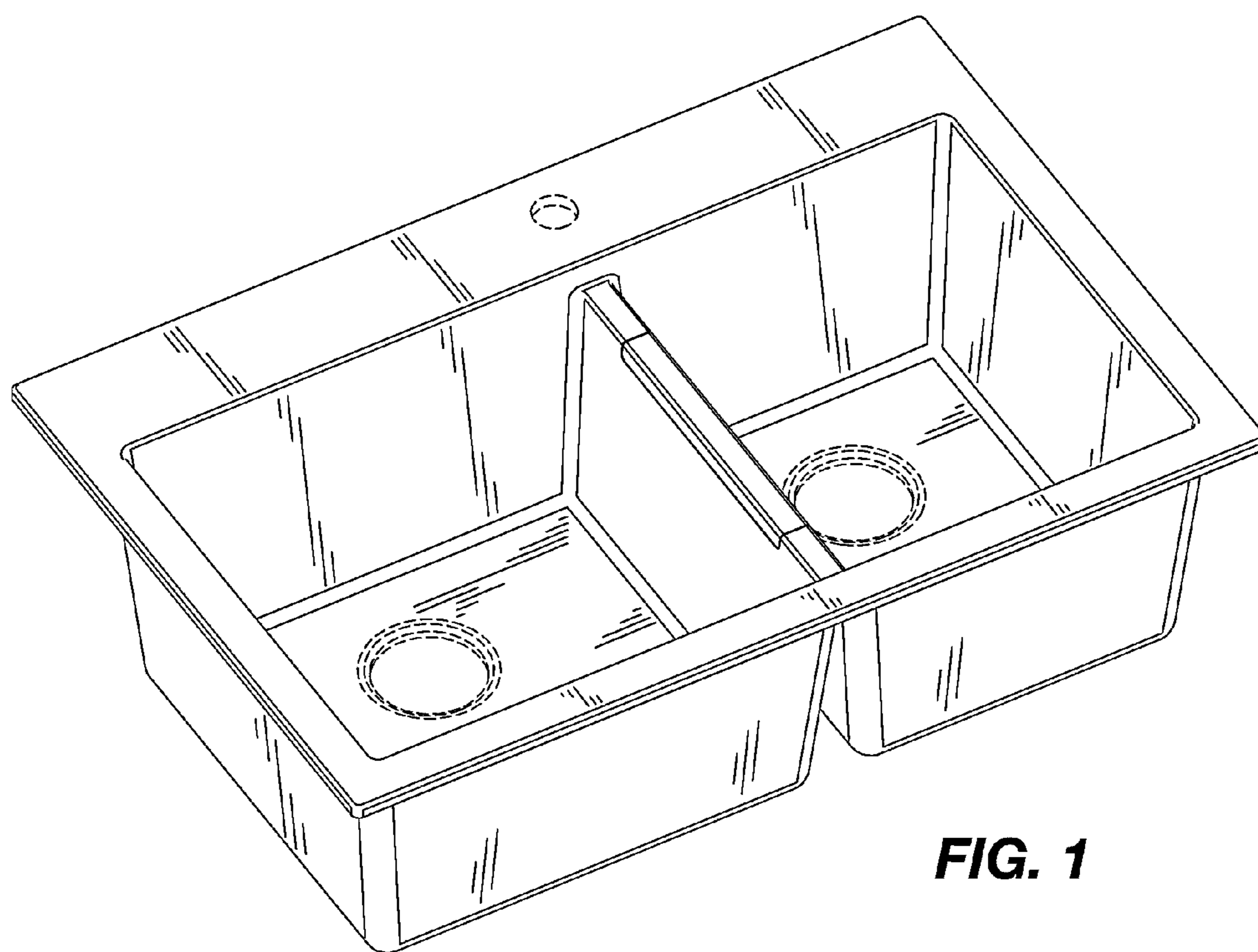


FIG. 1

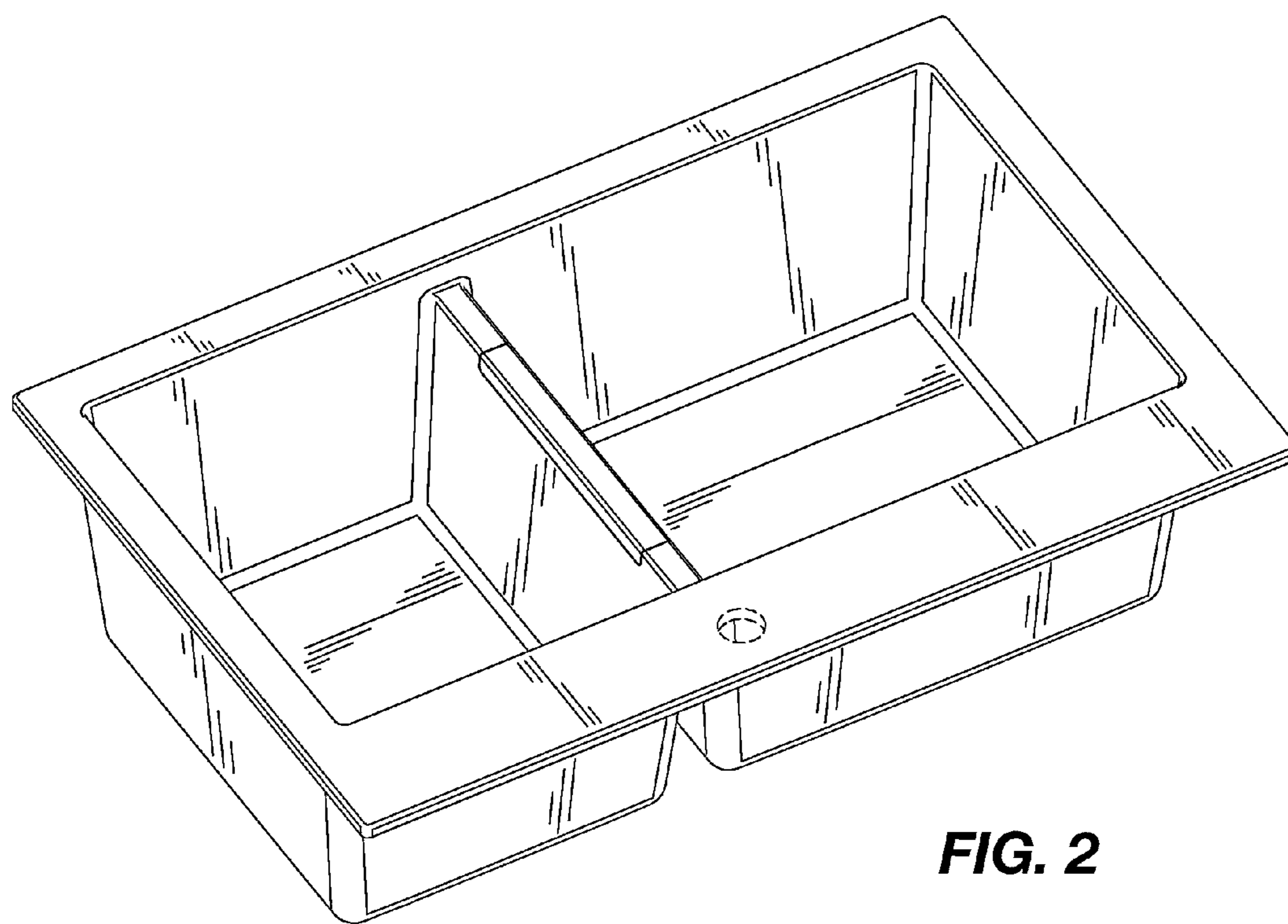


FIG. 2

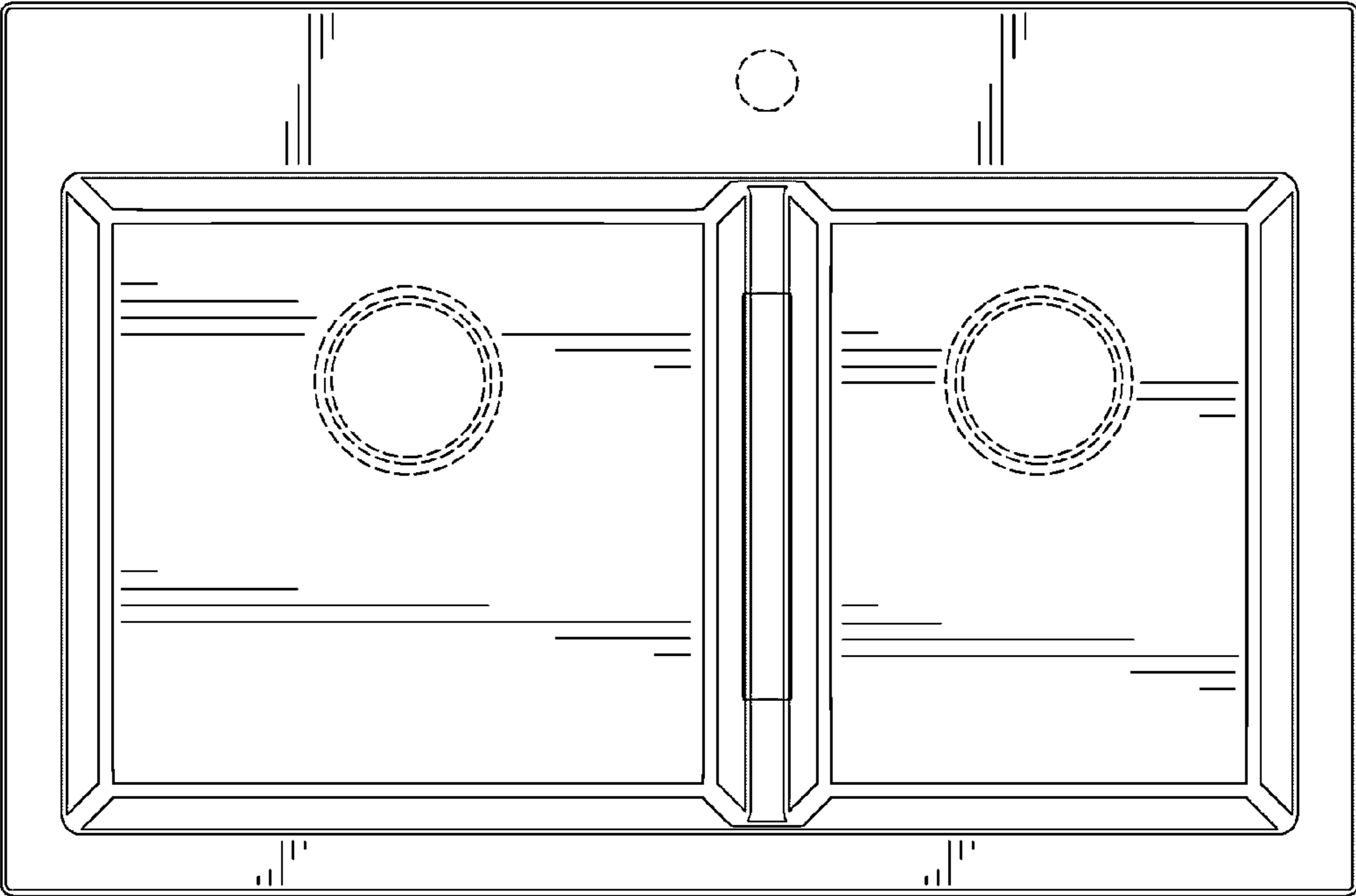


FIG. 3

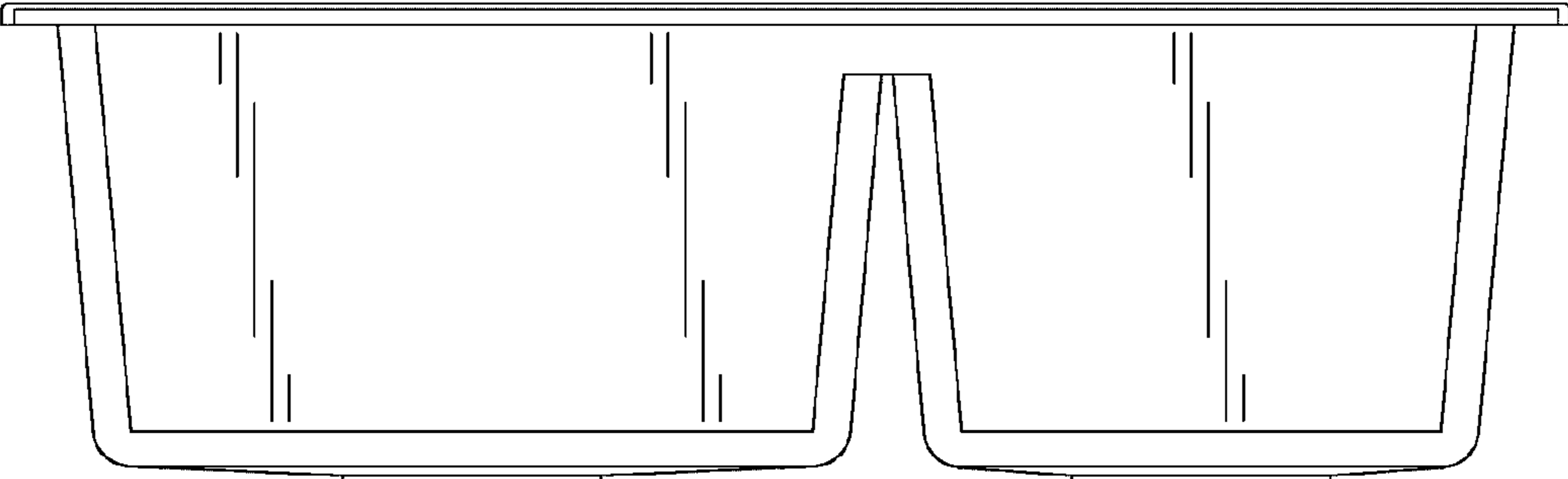


FIG. 4

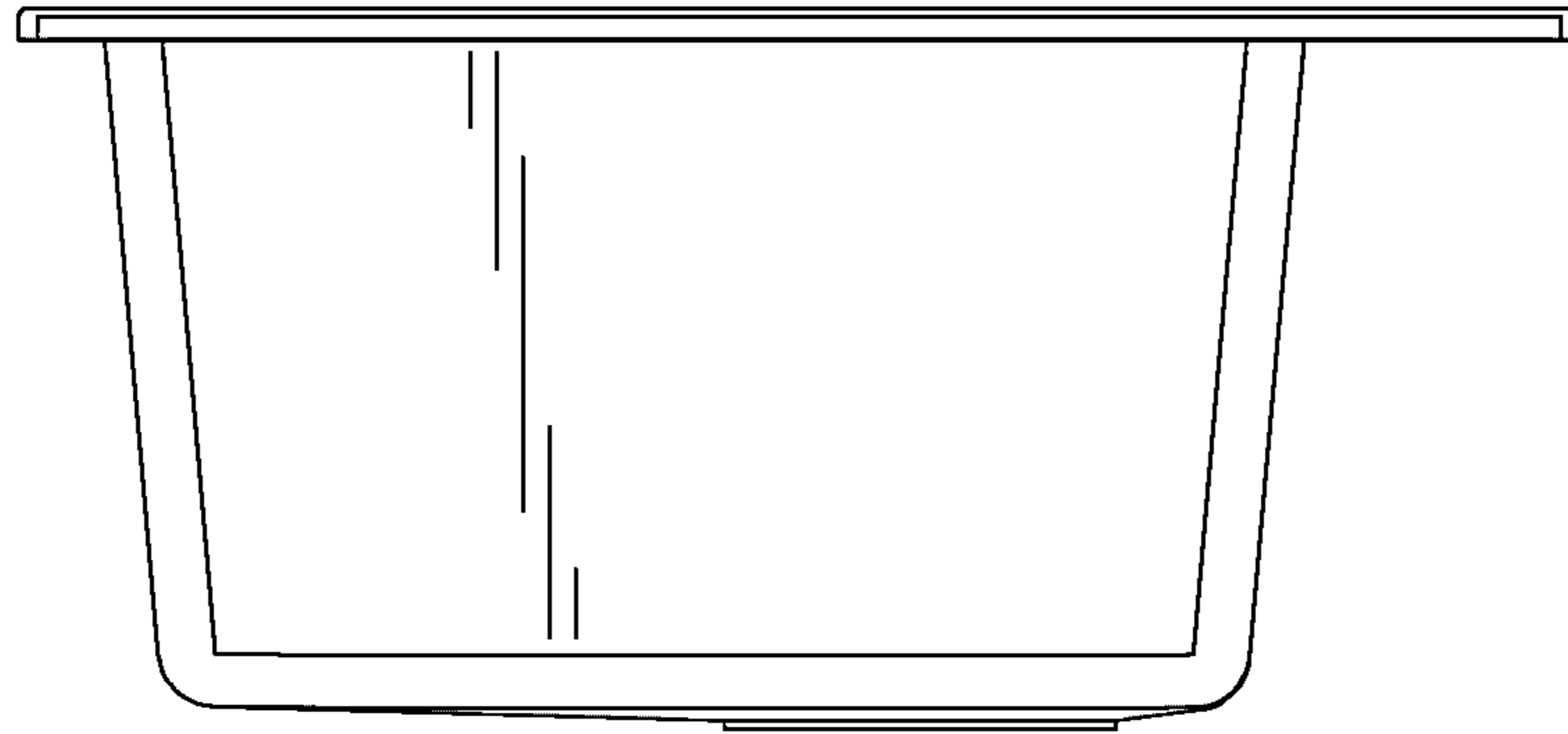


FIG. 5

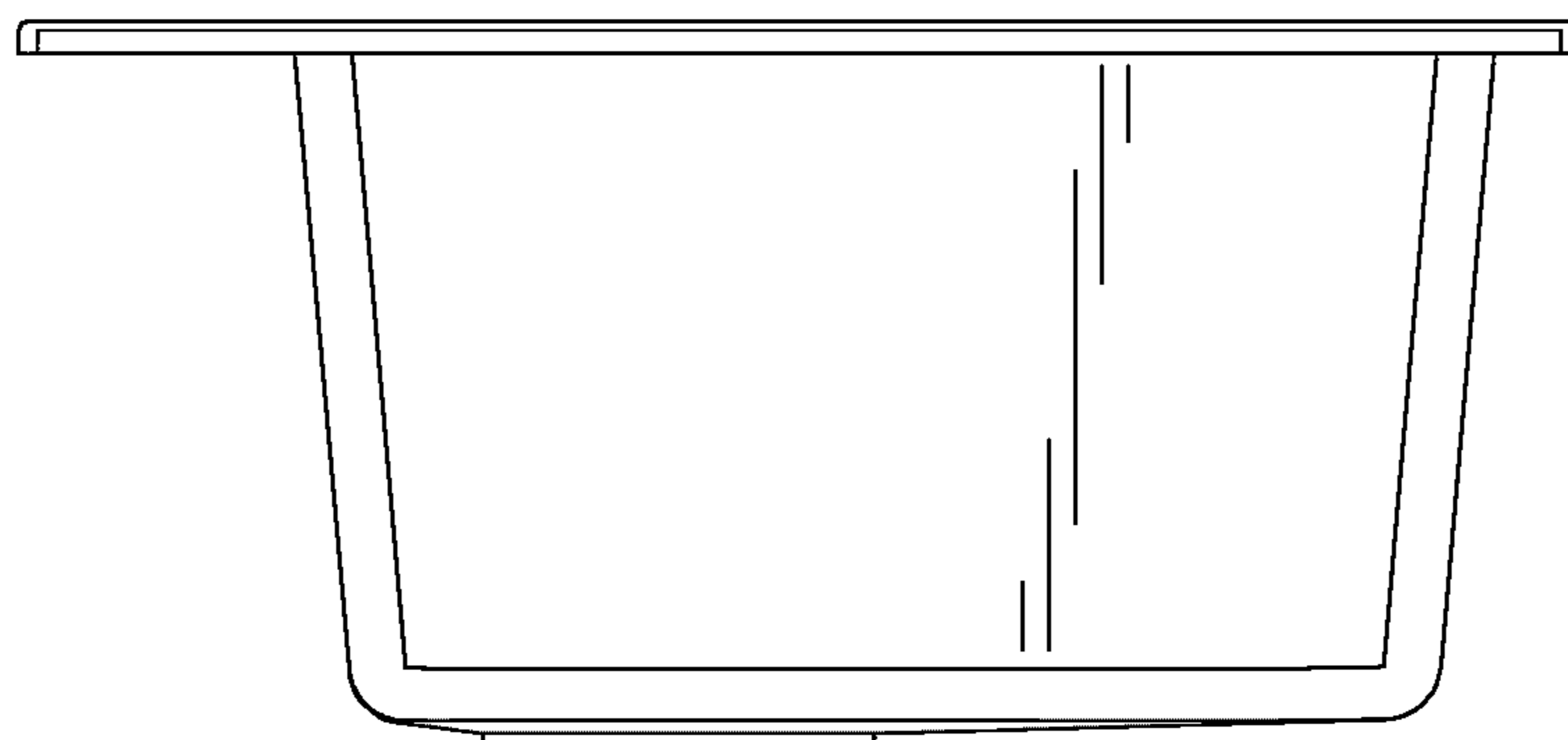


FIG. 6

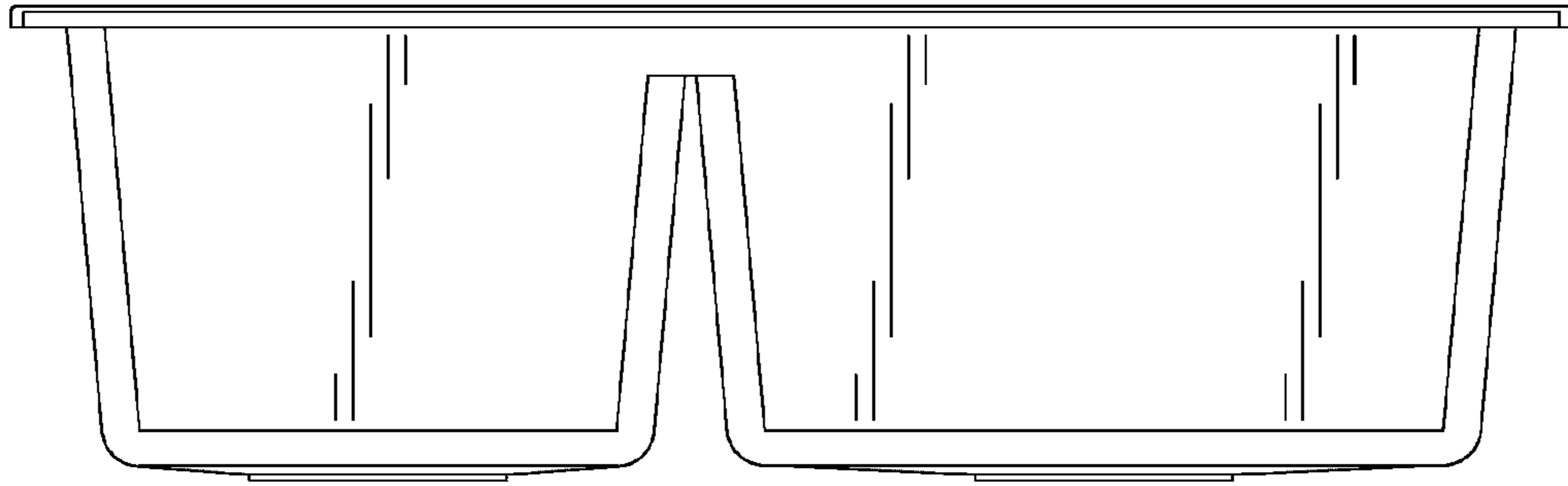


FIG. 7

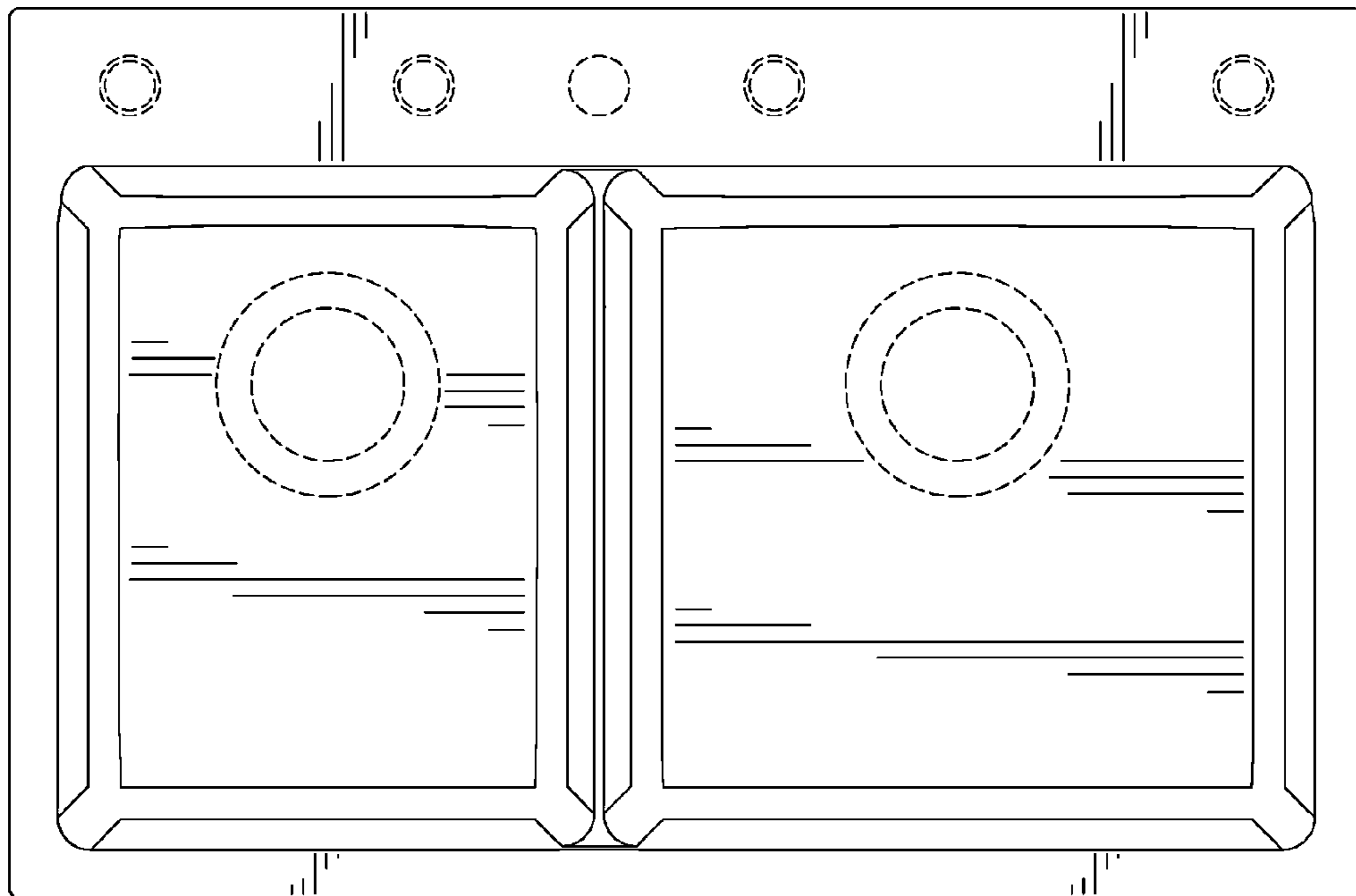


FIG. 8