



US00D707800S

(12) **United States Design Patent**
Lin

(10) **Patent No.:** **US D707,800 S**
(45) **Date of Patent:** **** Jun. 24, 2014**

(54) **FAUCET**

8,251,094 B2 * 8/2012 Lin D23/255

(71) Applicant: **Chen-Chang Lin**, Taichung (TW)

* cited by examiner

(72) Inventor: **Chen-Chang Lin**, Taichung (TW)

Primary Examiner — Robert Delehanty

(**) Term: **14 Years**

(74) *Attorney, Agent, or Firm* — Muncy, Geissler, Olds & Lowe, P.C.

(21) Appl. No.: **29/449,164**

(57) **CLAIM**

The ornamental design for a faucet, as shown and described.

(22) Filed: **Mar. 14, 2013**

DESCRIPTION

(51) **LOC (10) Cl.** **23-01**

(52) **U.S. Cl.**
USPC **D23/256**

(58) **Field of Classification Search**
USPC D23/238–243; 4/675–678; 137/801
See application file for complete search history.

FIG. 1 is a perspective view of a faucet showing my new design;

FIG. 2 is a front elevational view thereof;

FIG. 3 is a rear elevational view thereof;

FIG. 4 is a left side view thereof;

FIG. 5 is a right side view thereof;

FIG. 6 is a top plan view thereof; and,

FIG. 7 is a bottom plan view.

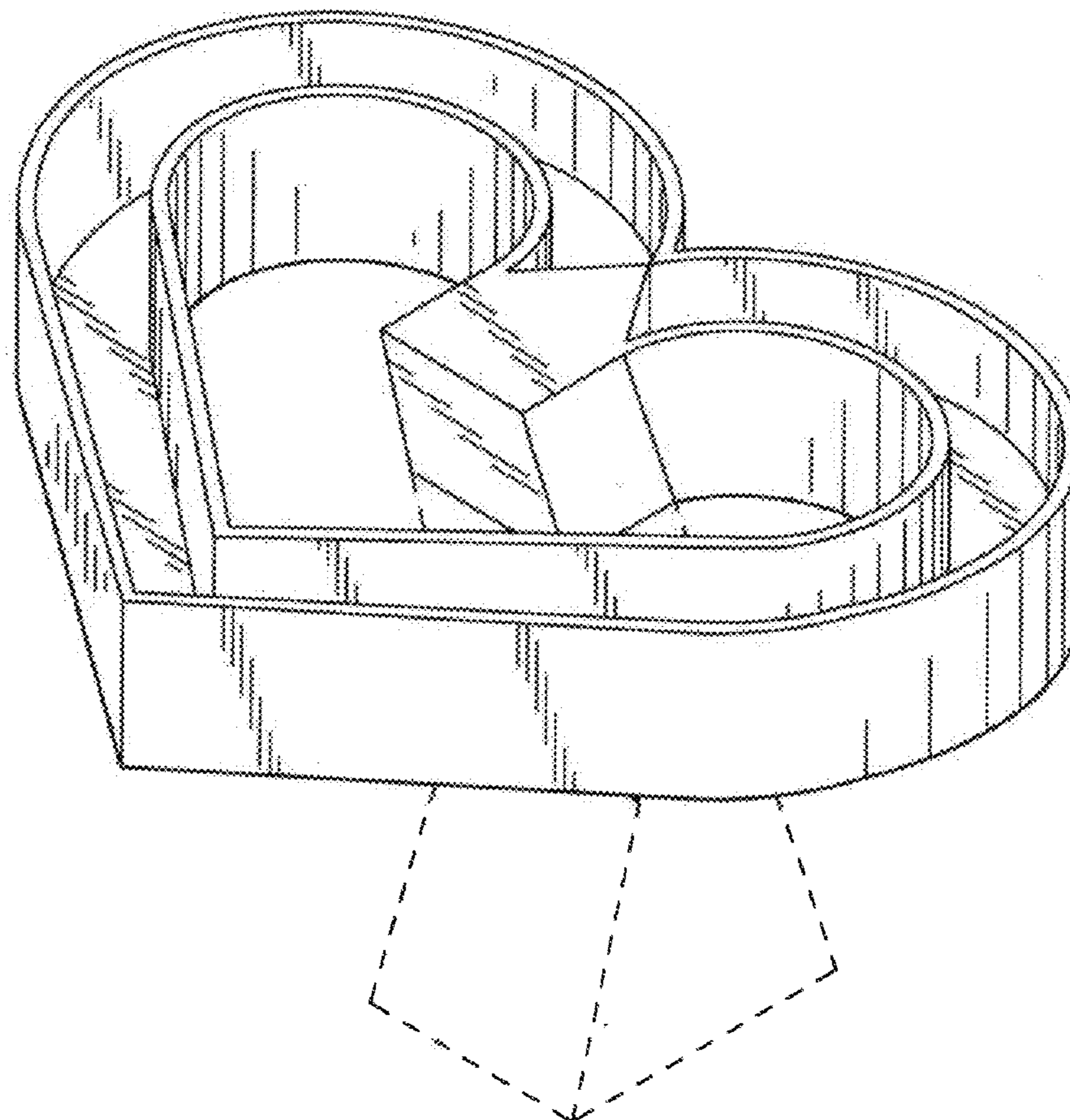
The broken line is for the purpose of illustrating environment structure and forms no part of the claimed design.

(56) **References Cited**

U.S. PATENT DOCUMENTS

D521,615 S * 5/2006 Cen et al. D23/289
D529,992 S * 10/2006 Lammel D23/238

1 Claim, 6 Drawing Sheets



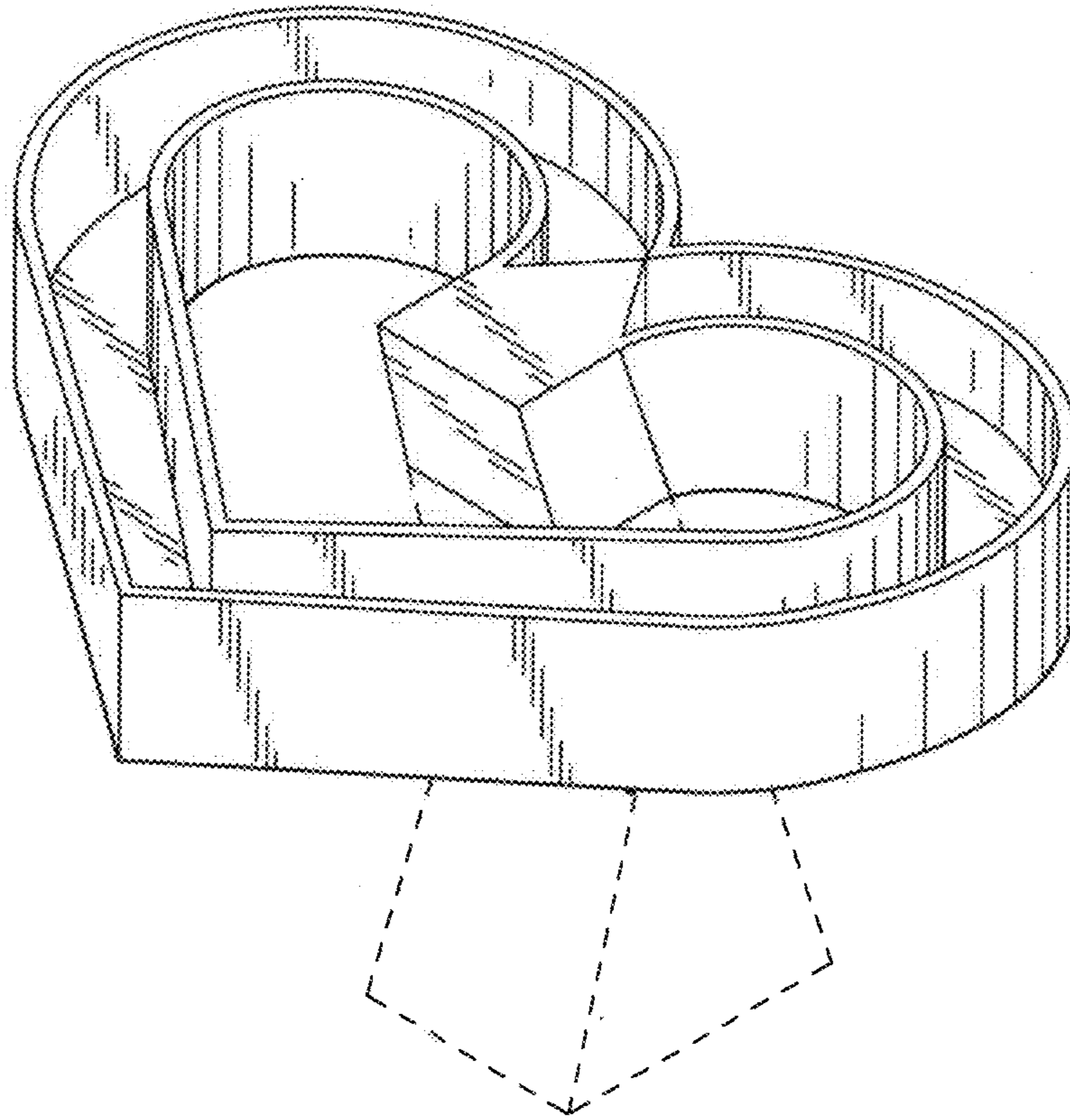


FIG. 1

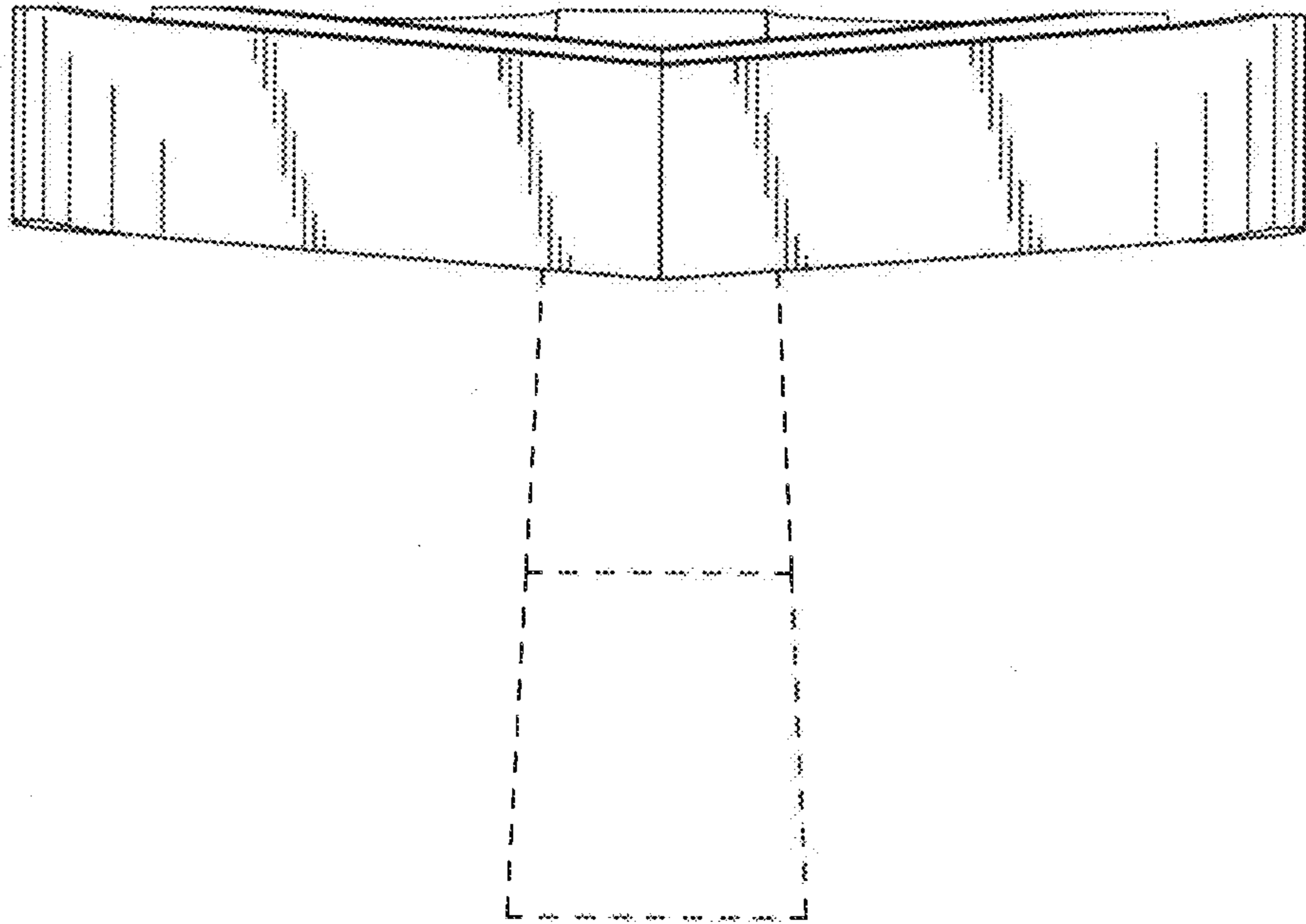


FIG. 2

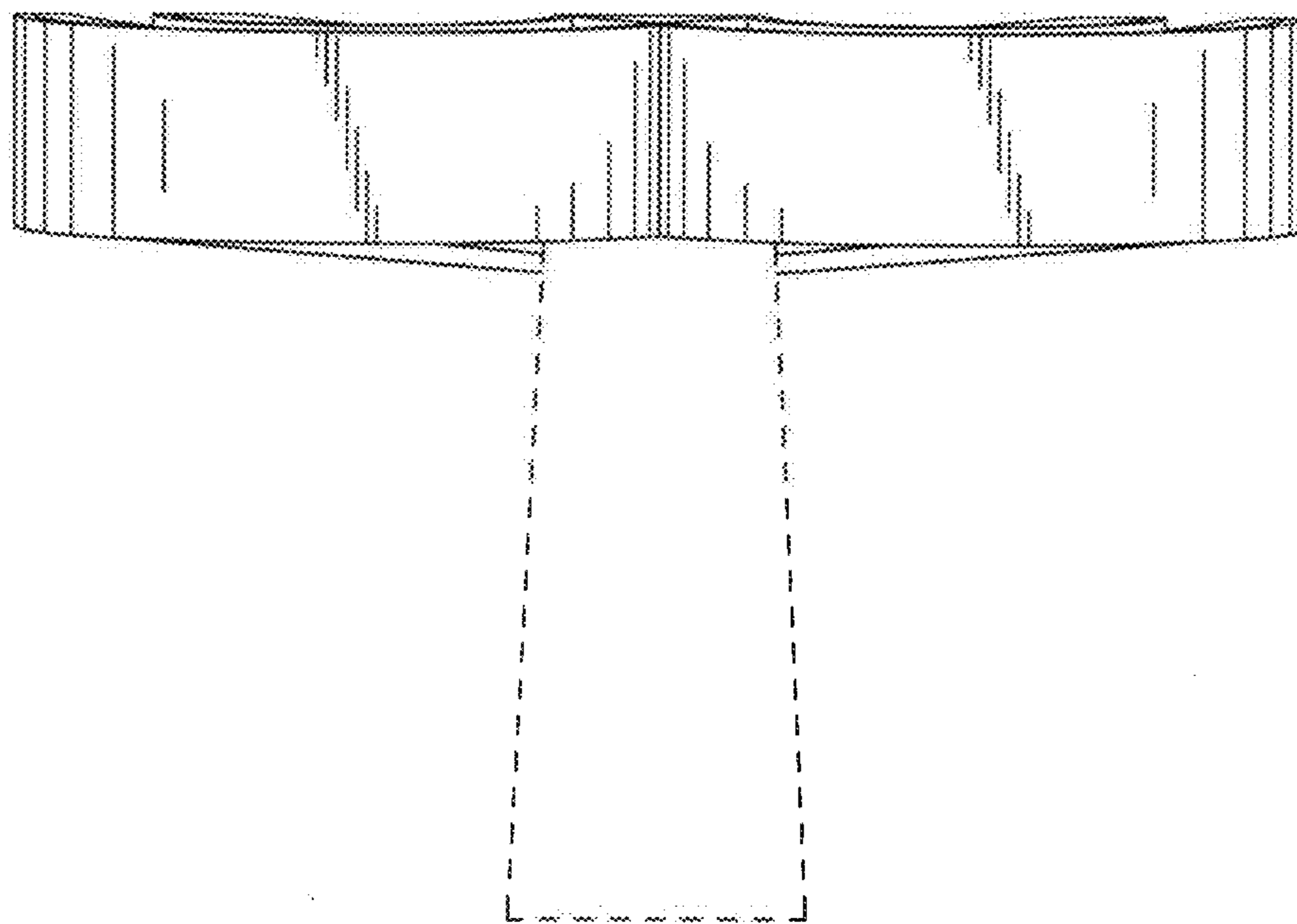


FIG. 3

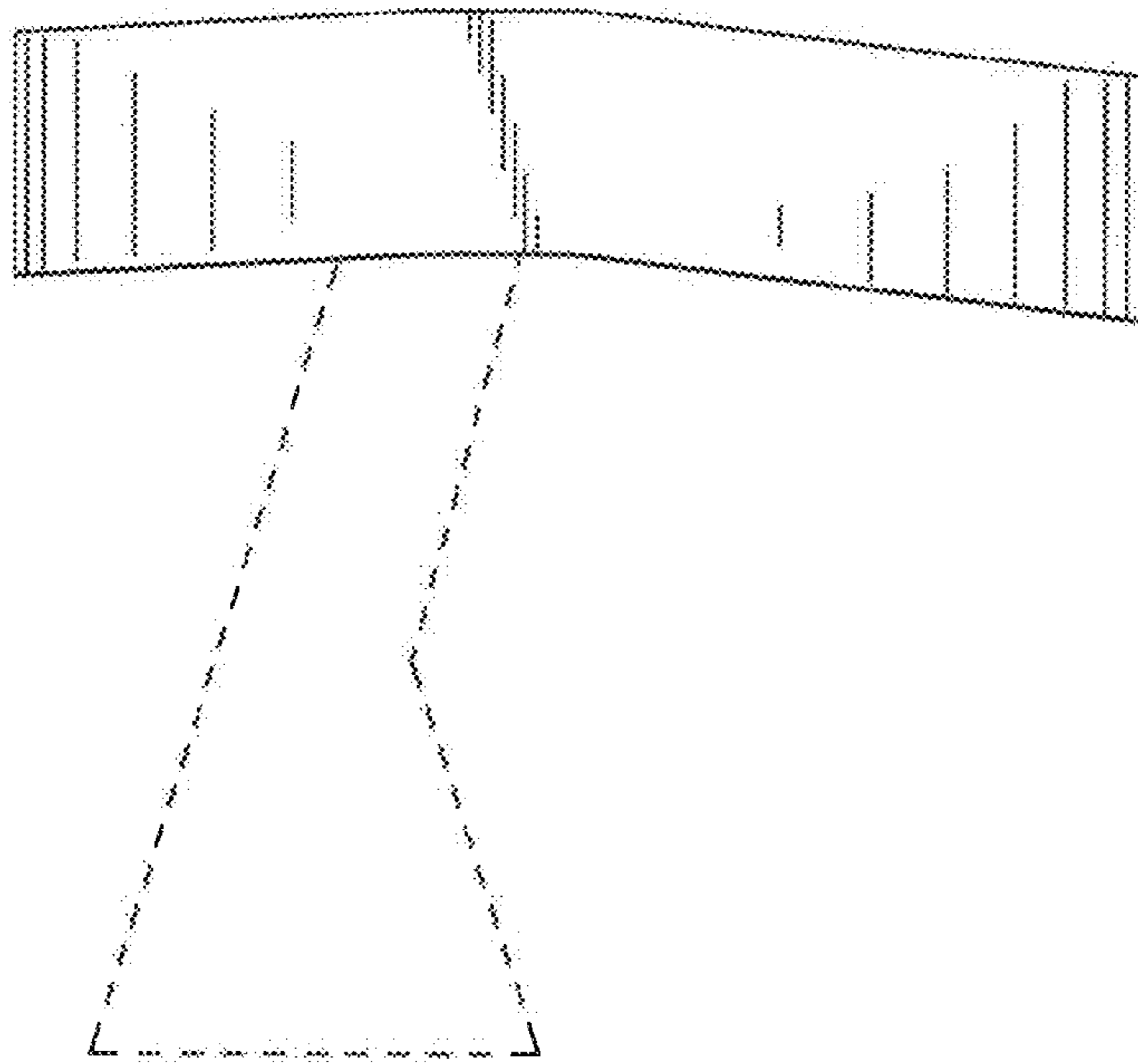


FIG. 4

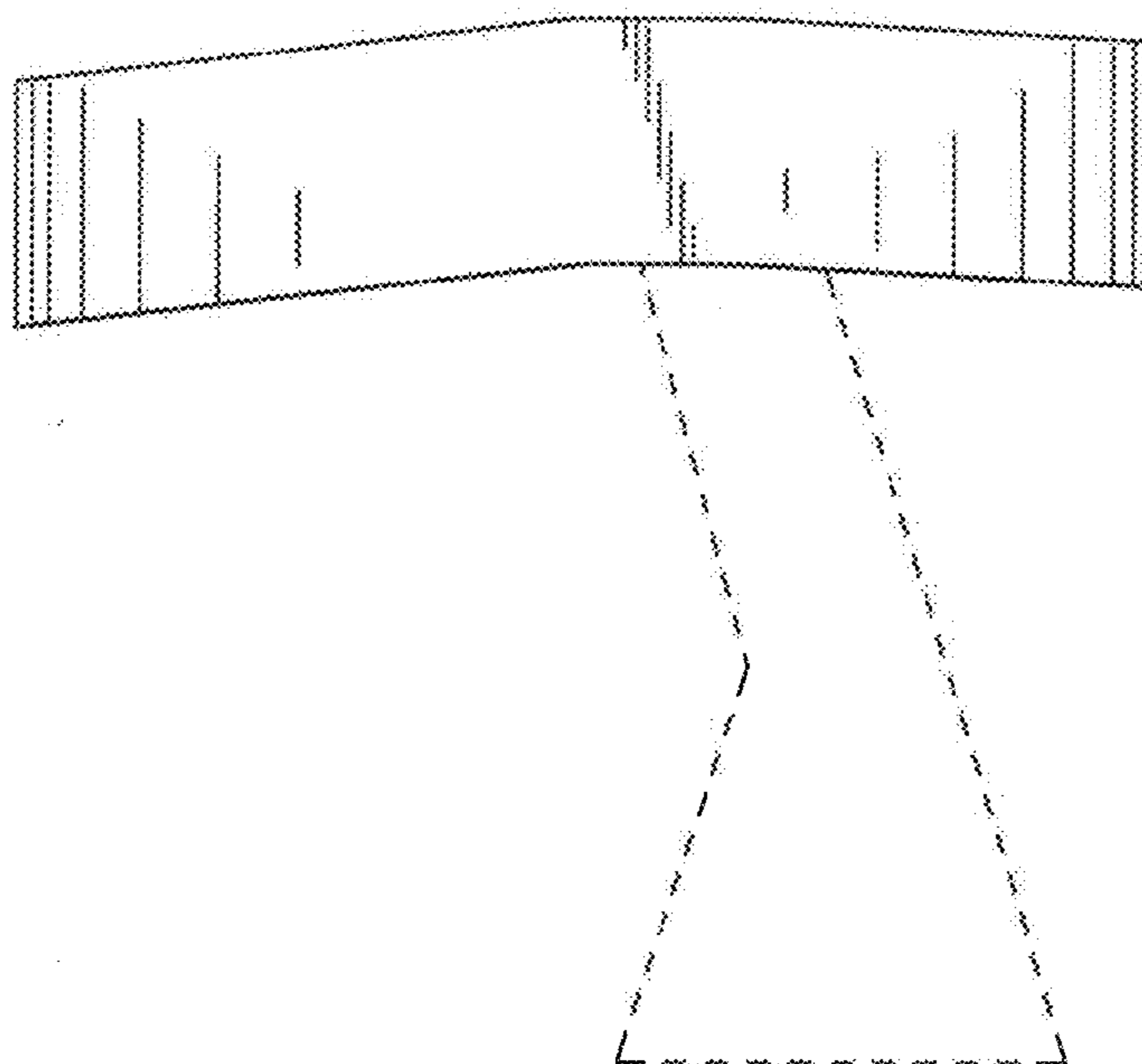


FIG. 5

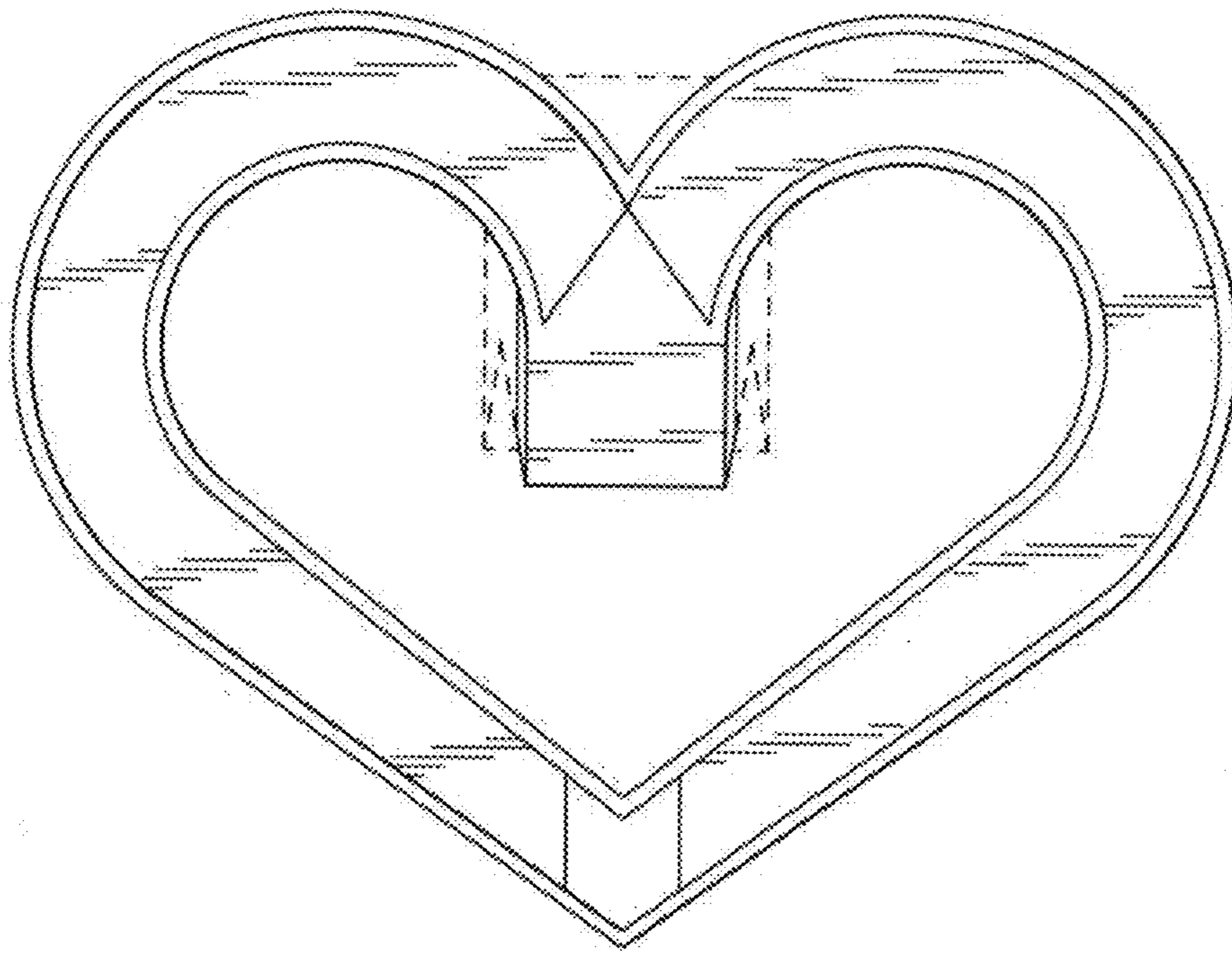


FIG. 6

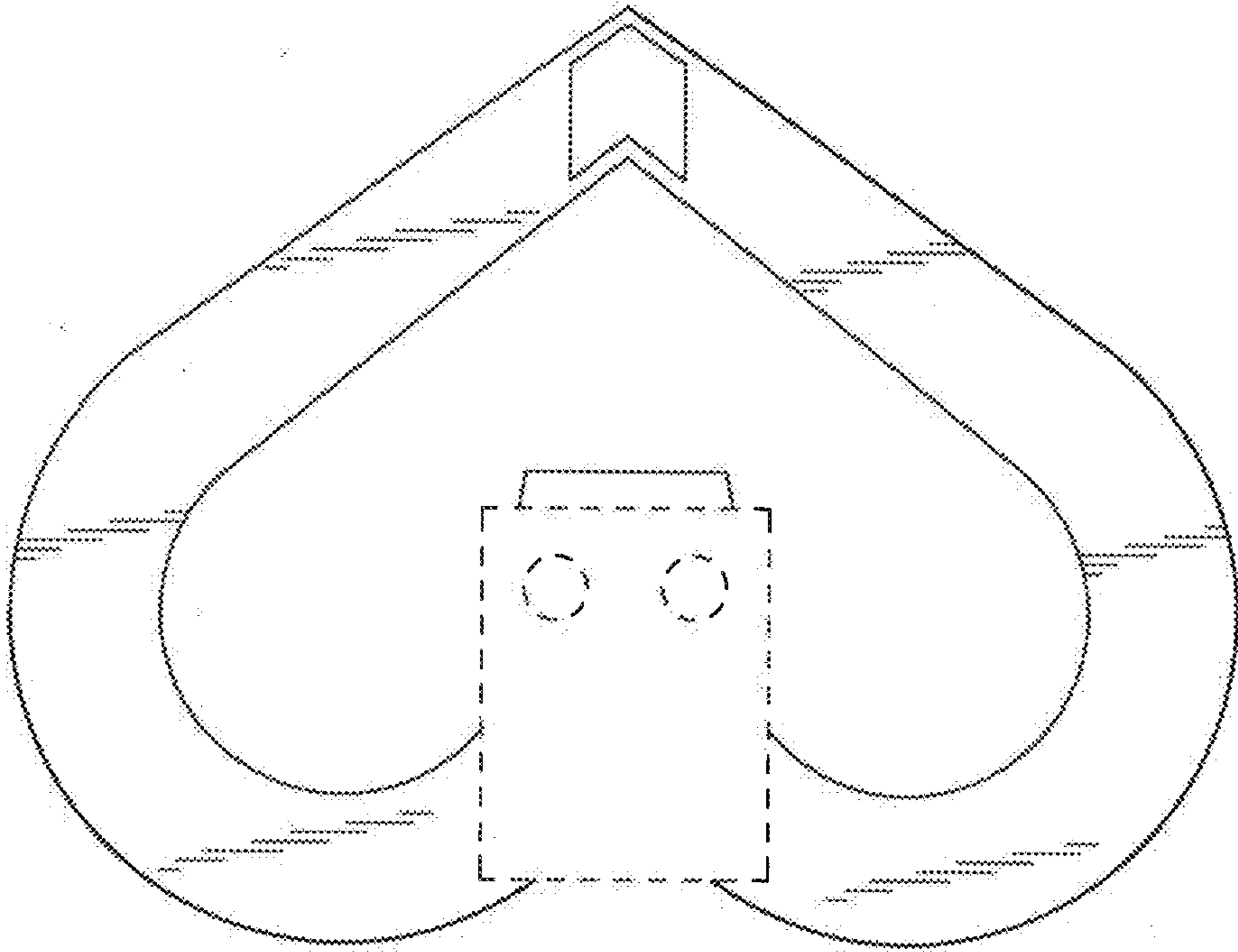


FIG. 7