

US00D707799S

(12) **United States Design Patent**
Hanna et al.

(10) **Patent No.:** **US D707,799 S**
(45) **Date of Patent:** **** Jun. 24, 2014**

(54) **FAUCET**

D538,398 S * 3/2007 Lobermeier et al. D23/238
D571,438 S * 6/2008 Gilbert D23/249
D677,760 S * 3/2013 Romero D23/255

(71) Applicant: **Price Pfister, Inc.**, Lake Forest, CA (US)

* cited by examiner

(72) Inventors: **Aaron Hanna**, Riverside, CA (US);
Brian Soriano, Pomona, CA (US);
David R. Downey, Mission Viejo, CA (US)

Primary Examiner — Robert Delehanty

(74) *Attorney, Agent, or Firm* — Barnes & Thornburg LLP

(73) Assignee: **Price Pfister, Inc.**, Lake Forest, CA (US)

(57) **CLAIM**

What is claimed is the ornamental design for a faucet, as shown and described.

(**) Term: **14 Years**

DESCRIPTION

(21) Appl. No.: **29/460,371**

FIG. 1 is a perspective view of our new design with the spout body in broken lines;

(22) Filed: **Jul. 10, 2013**

FIG. 2 is a right side elevational view of the design shown in FIG. 1;

(51) **LOC (10) Cl.** **23-01**

FIG. 3 is the left side elevational view of the design shown in FIG. 1;

(52) **U.S. Cl.**

USPC **D23/255**

FIG. 4 is a top view of the design shown in FIG. 1;

(58) **Field of Classification Search**

USPC D23/238–243, 250, 252, 255, 228;
4/675–678; 137/801

FIG. 5 is a bottom view of the design shown in FIG. 1;

See application file for complete search history.

FIG. 6 is a front elevational view of the design shown in FIG. 1; and,

FIG. 7 is a rear elevational view of the design shown in FIG. 1.

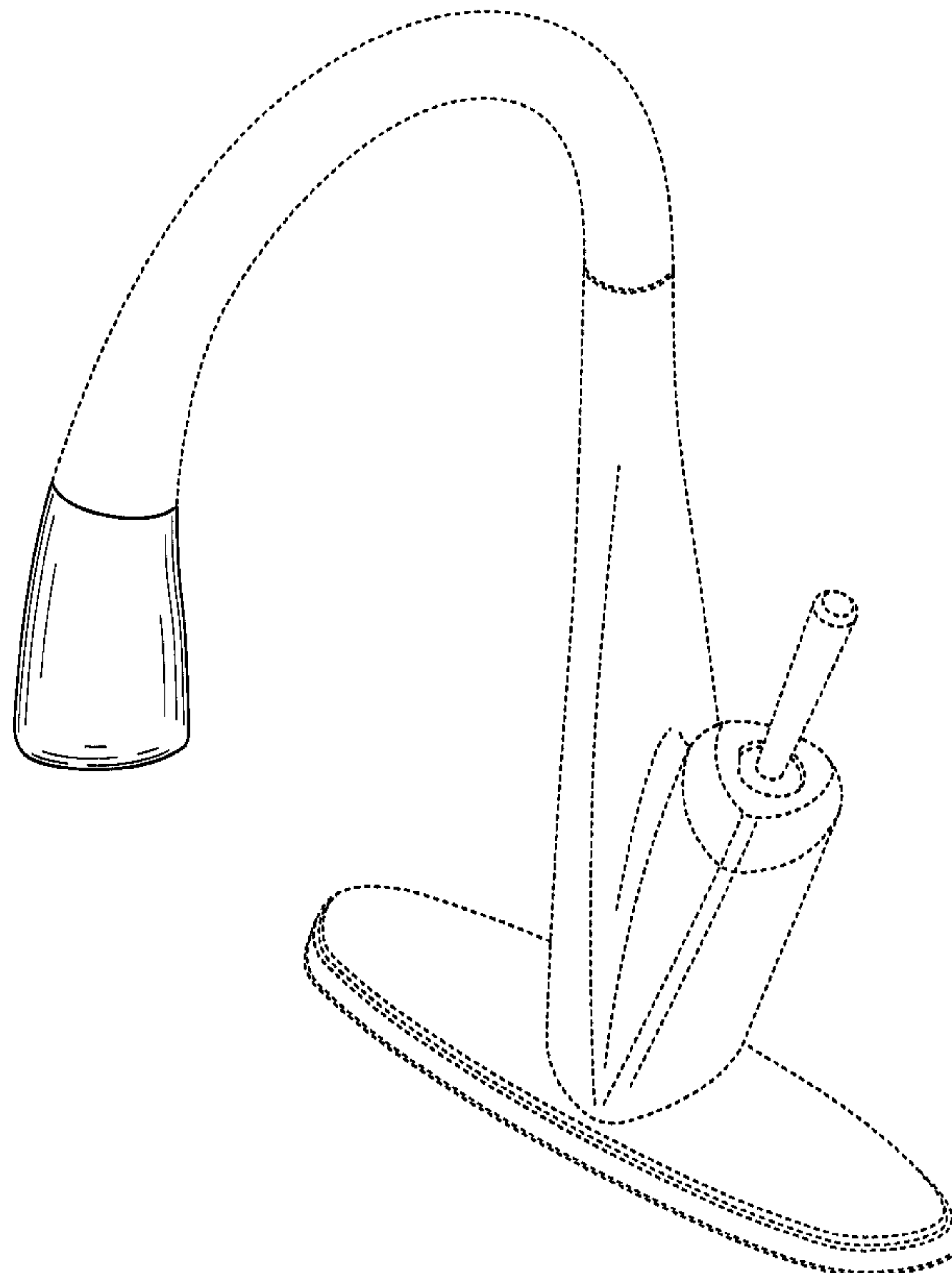
(56) **References Cited**

The broken lines shown in the drawings are for purposes of illustrating portions of the design and form no part of the claimed design.

U.S. PATENT DOCUMENTS

D438,935 S * 3/2001 Mark et al. D23/238
D519,190 S * 4/2006 Lord D23/238

1 Claim, 7 Drawing Sheets



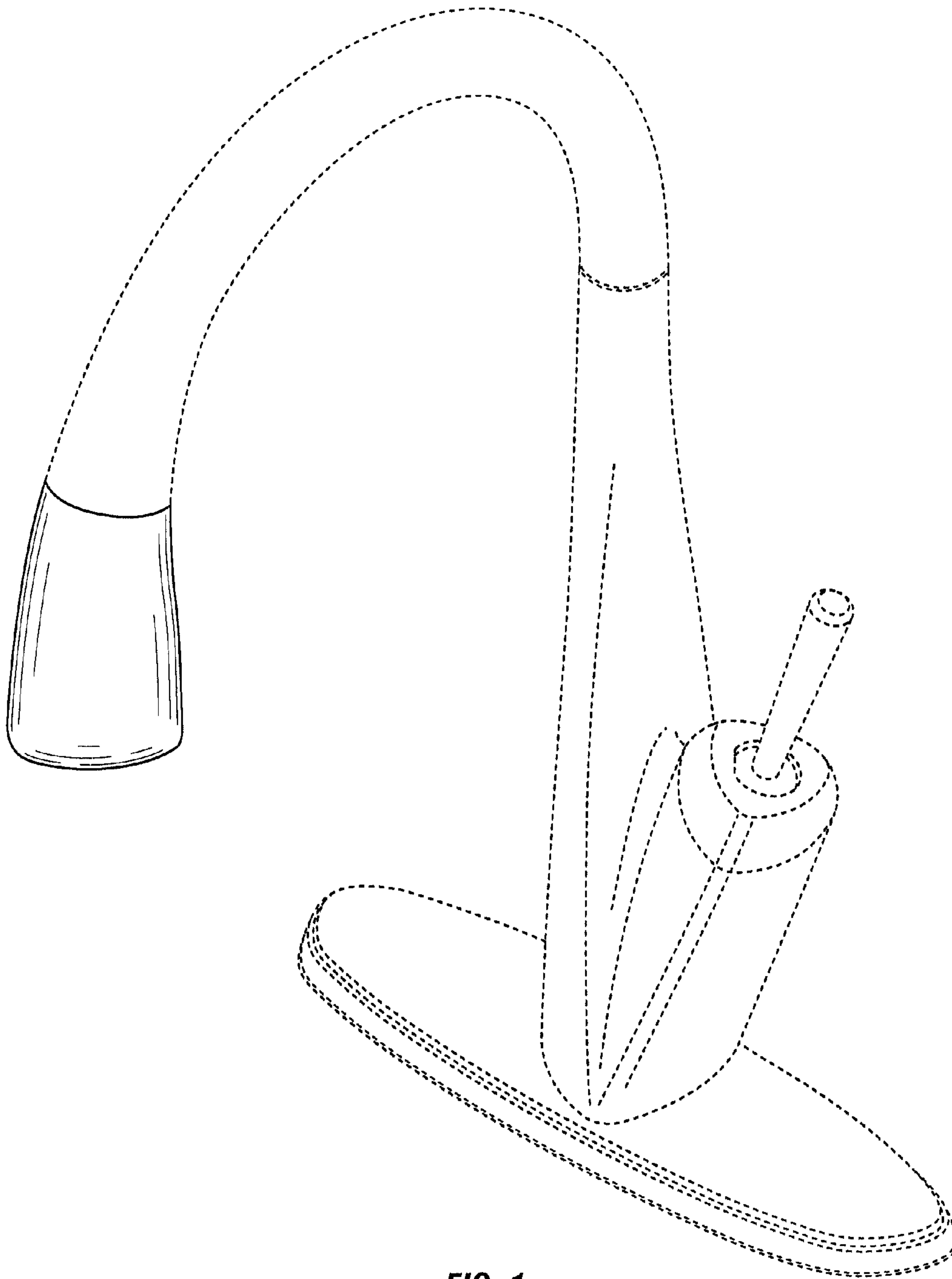


FIG. 1

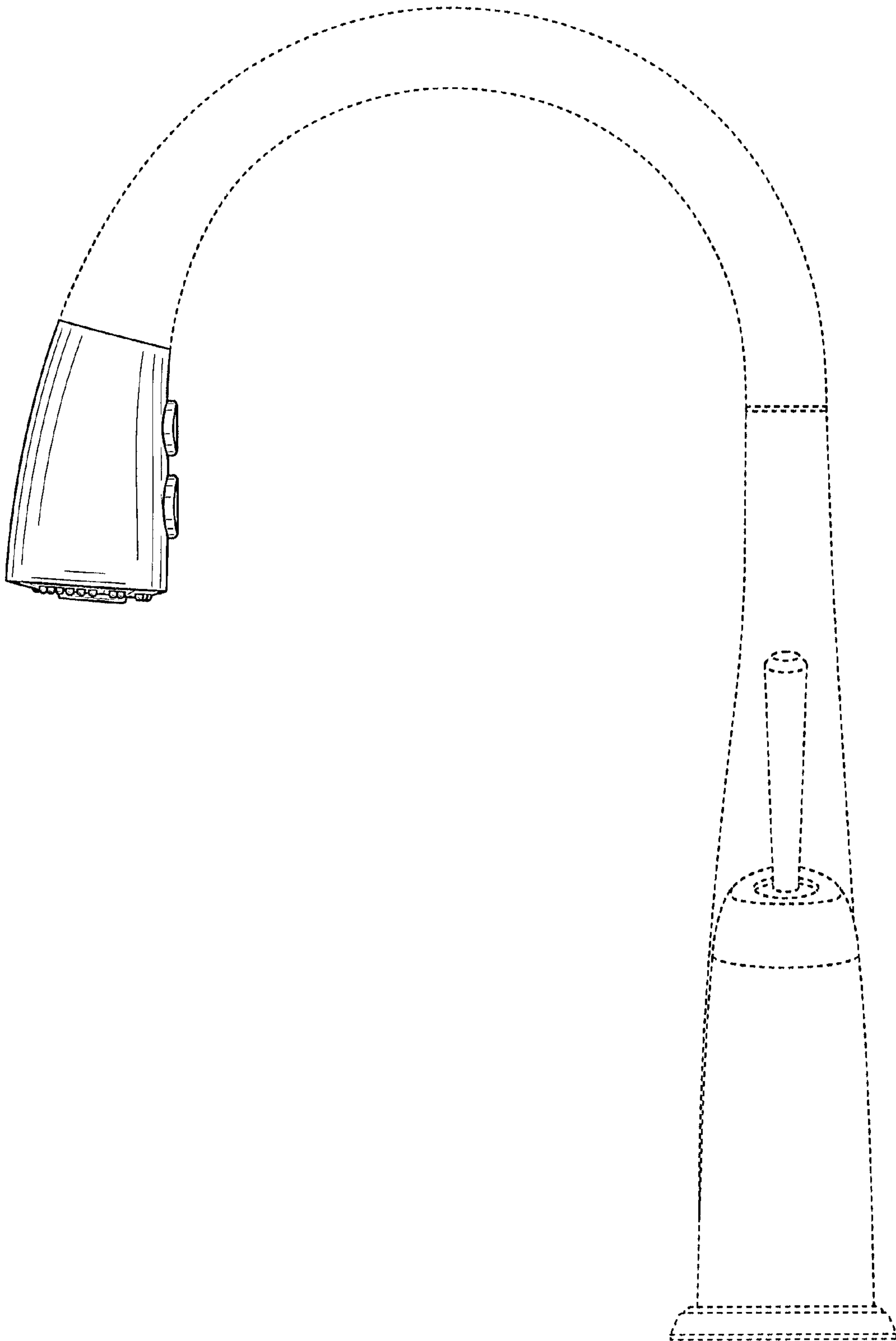


FIG. 2

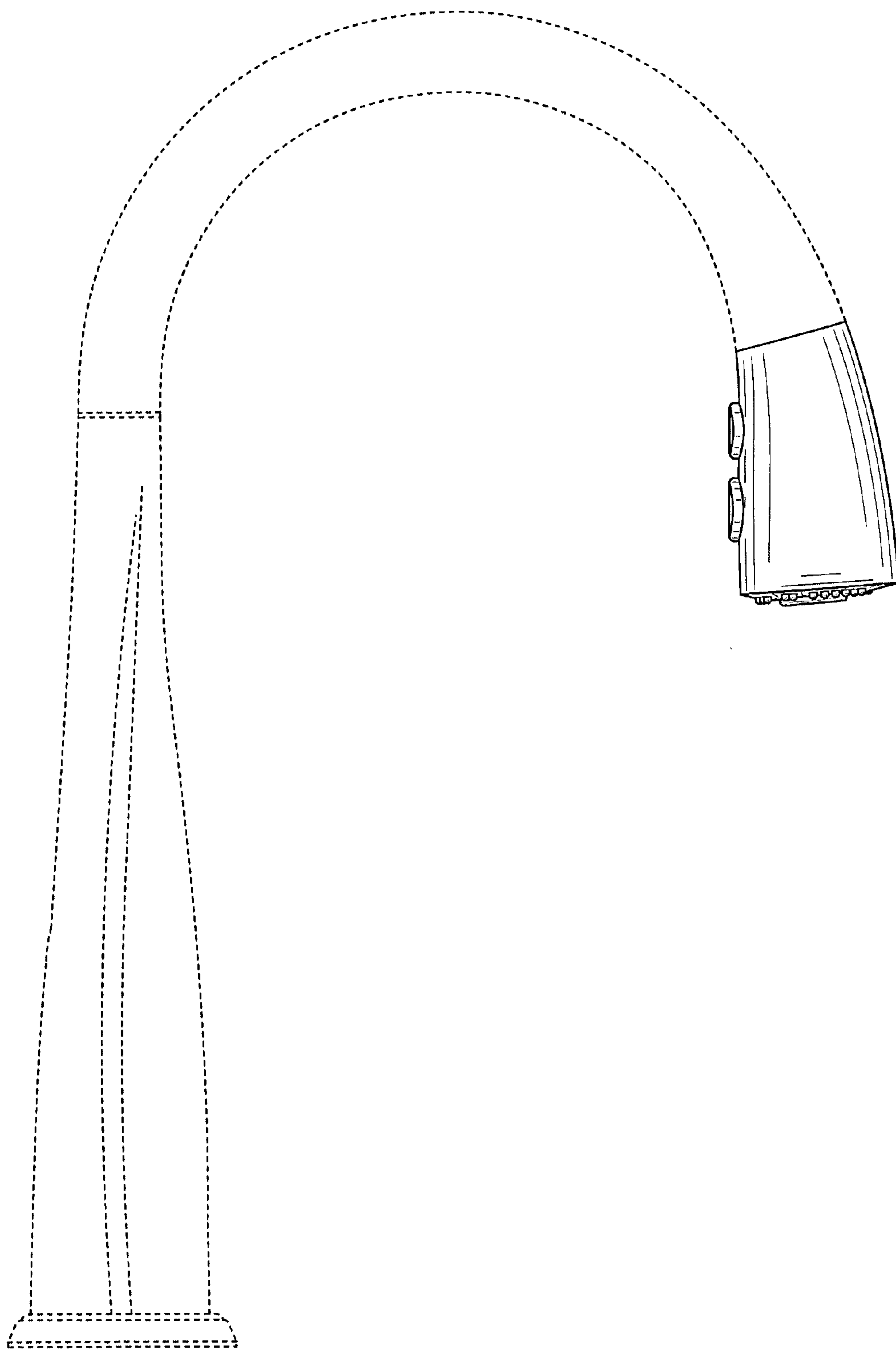


FIG. 3

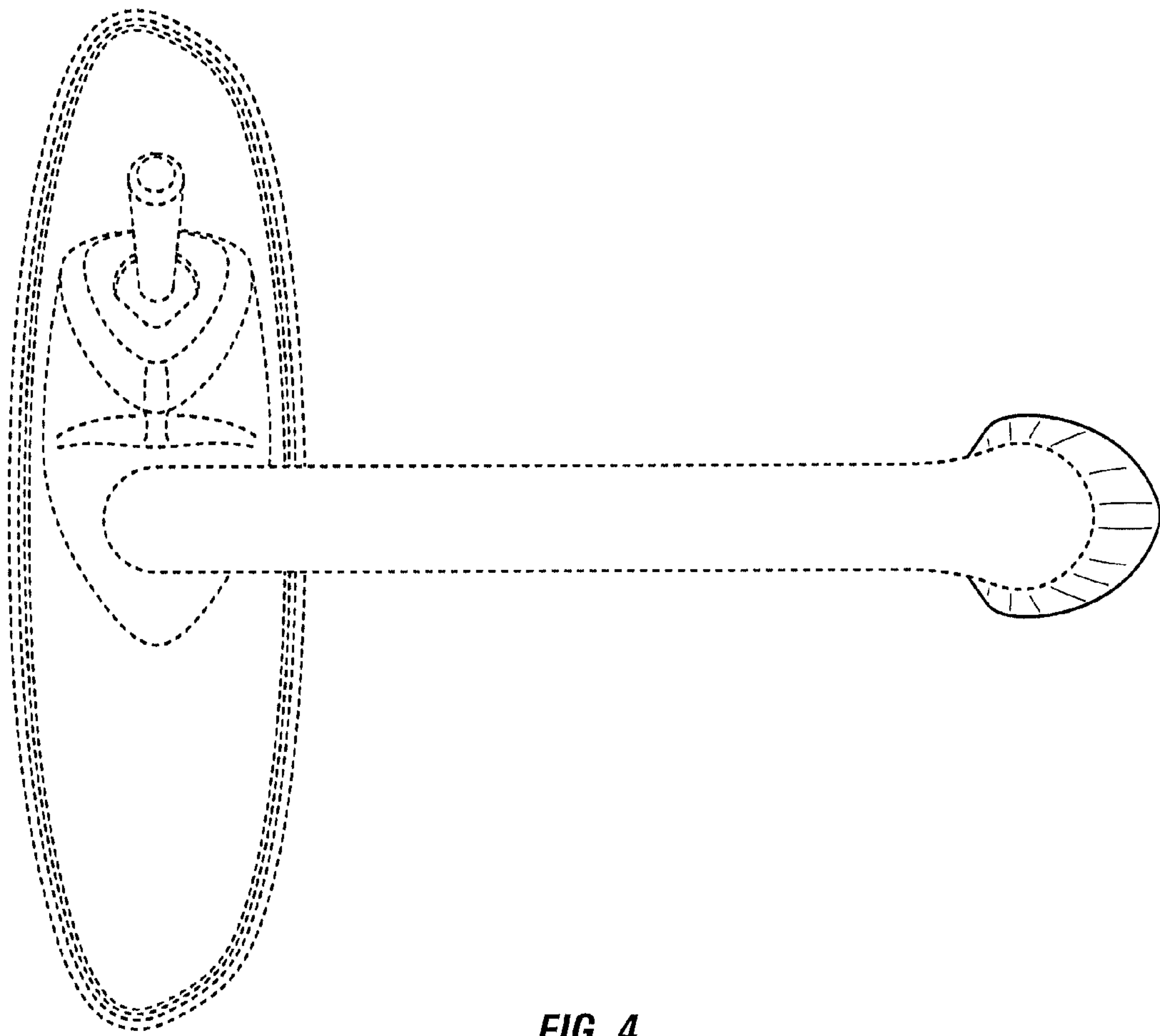


FIG. 4

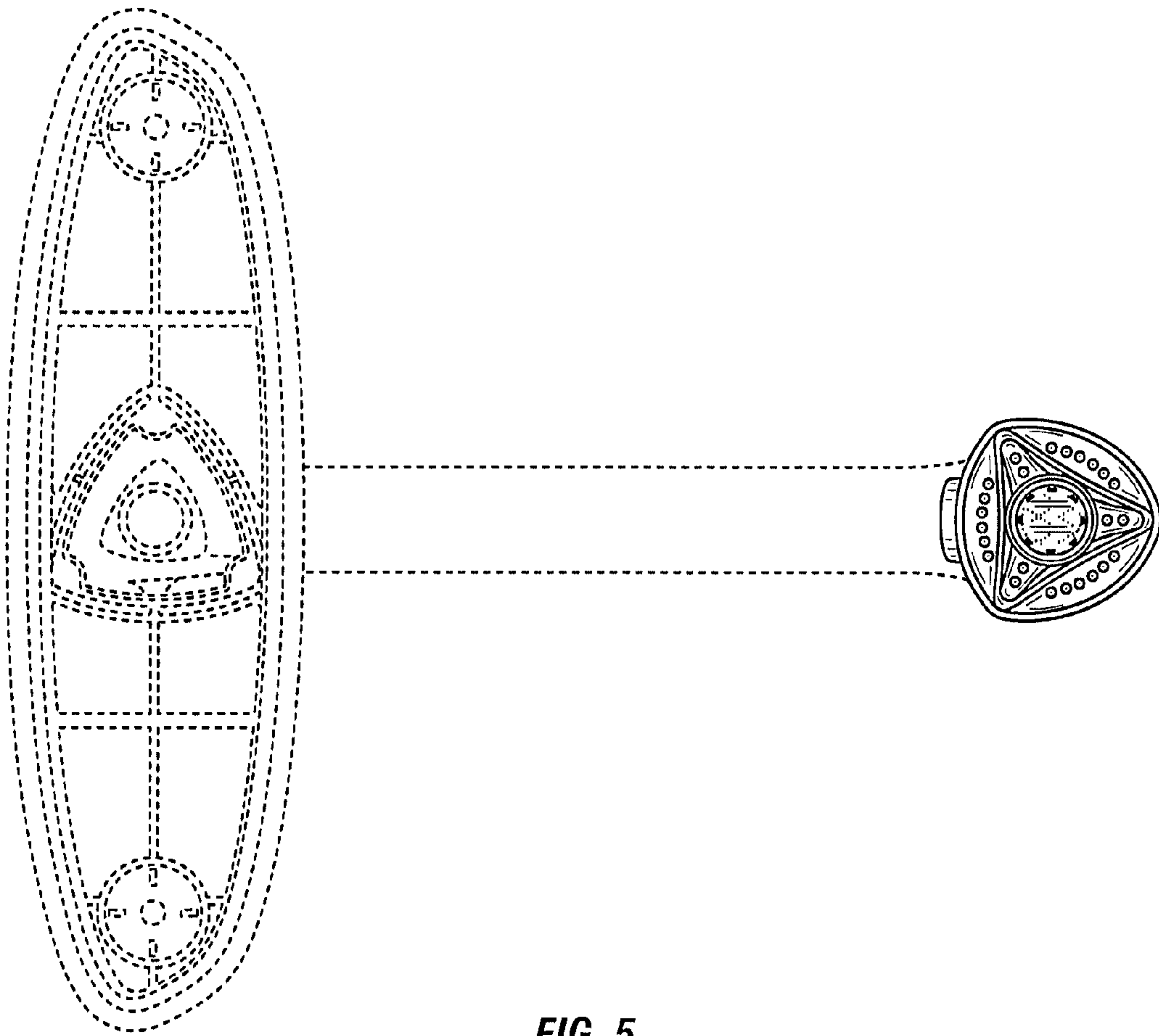


FIG. 5

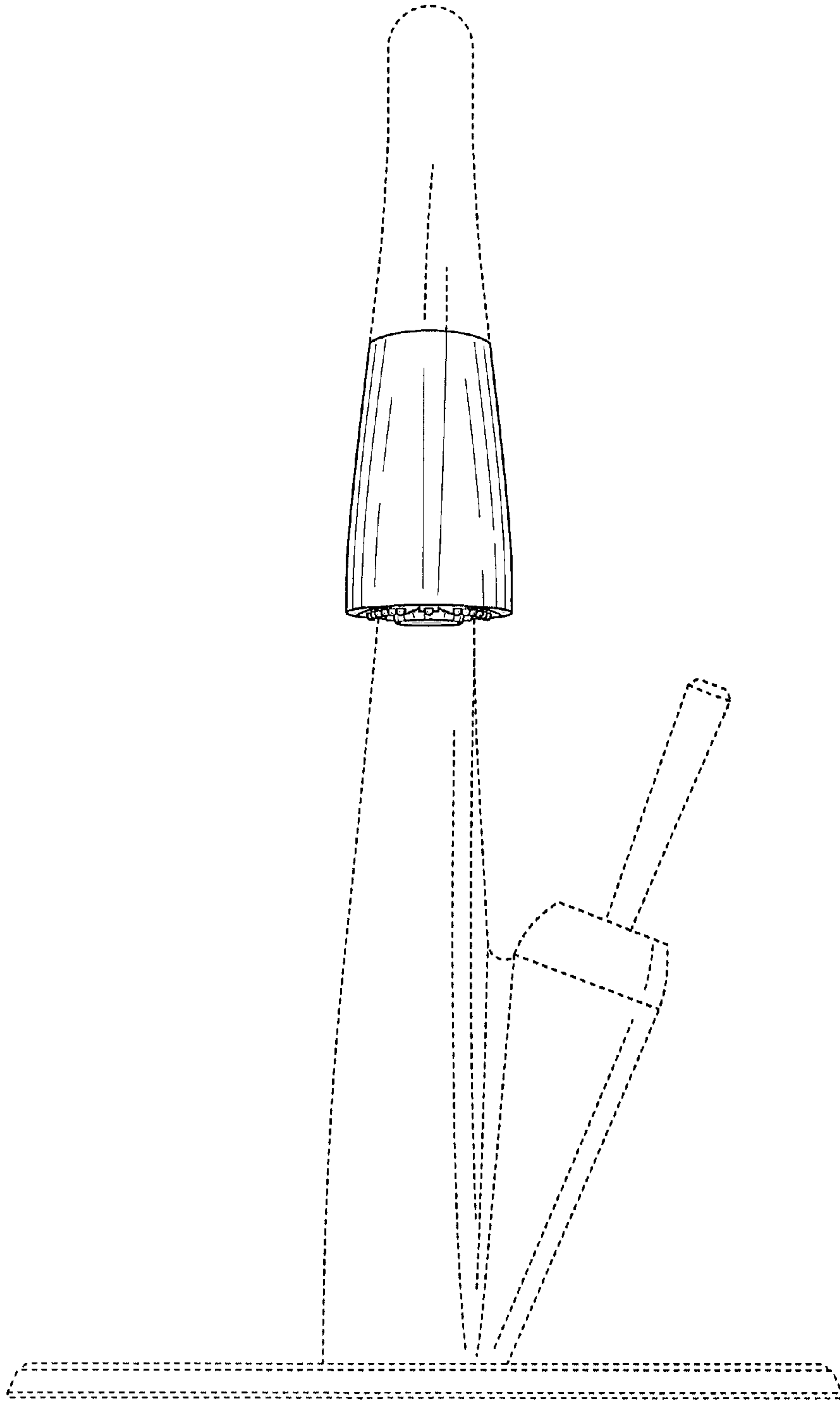


FIG. 6

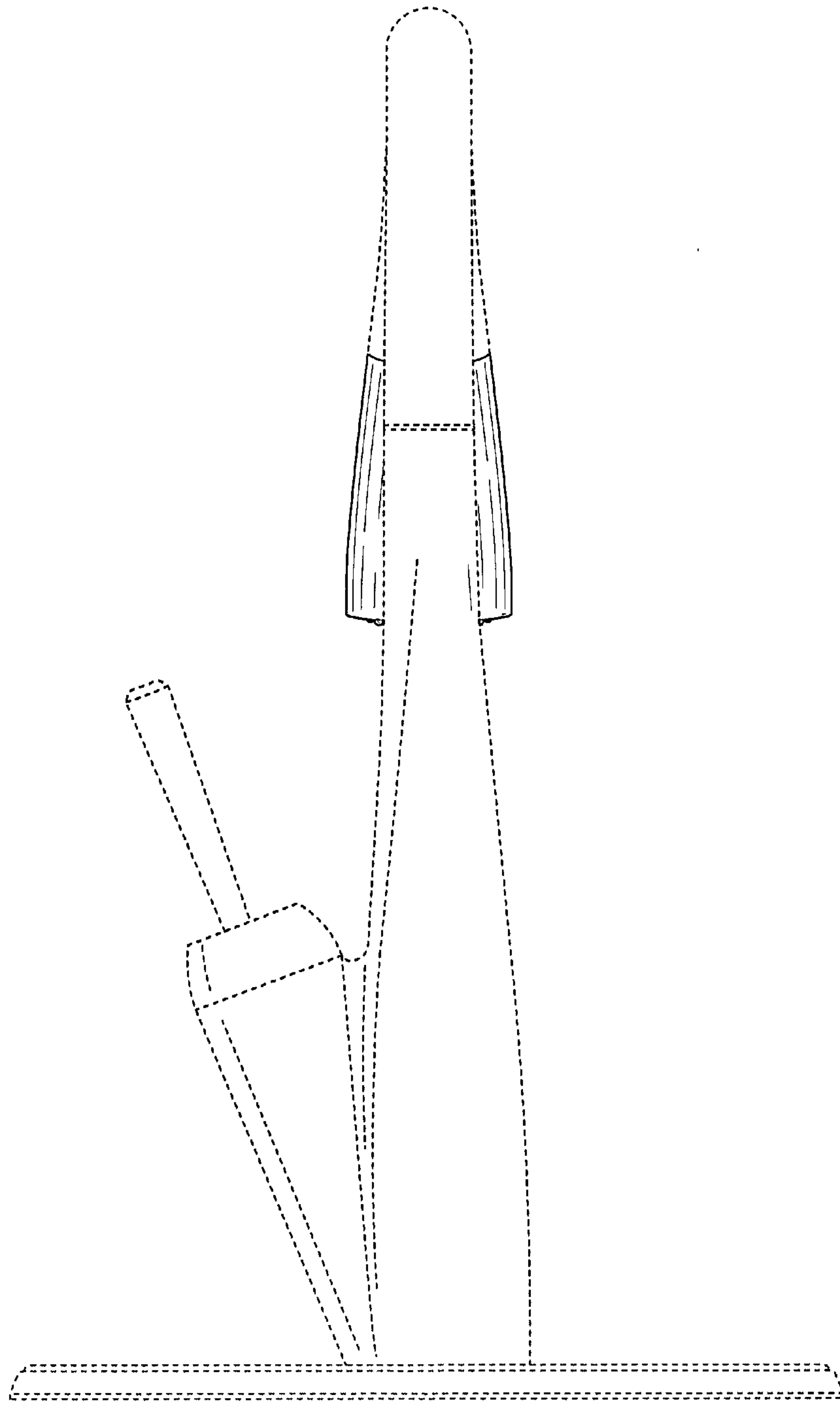


FIG. 7