



US00D707796S

(12) **United States Design Patent**
Leslie

(10) **Patent No.:** **US D707,796 S**
(45) **Date of Patent:** **** Jun. 24, 2014**

- (54) **FAUCET TEMPERATURE SENSOR AND DISPLAY**
- (71) Applicant: **Dominic Leslie**, Los Angeles, CA (US)
- (72) Inventor: **Dominic Leslie**, Los Angeles, CA (US)
- (**) Term: **14 Years**
- (21) Appl. No.: **29/444,391**
- (22) Filed: **Jan. 30, 2013**
- (51) **LOC (10) Cl.** **23-01**
- (52) **U.S. Cl.**
USPC **D23/238**
- (58) **Field of Classification Search**
CPC E03C 1/042
USPC D23/238-243, 255, 257; 4/675-678;
137/801; D7/398
See application file for complete search history.

5,845,844 A	12/1998	Zosimodis	
6,059,192 A	5/2000	Zosimadis	
D454,176 S *	3/2002	Lord D23/254
D482,760 S *	11/2003	Fraser et al. D23/252
6,641,305 B2	11/2003	Wang	
D490,503 S *	5/2004	Fraser et al. D23/255
D525,345 S	7/2006	Anderson	
D534,622 S *	1/2007	Chu et al. D23/238
D579,081 S *	10/2008	Ziemann et al. D23/238
D689,329 S *	9/2013	Nicholls et al. D7/398
2006/0227850 A1	10/2006	Johnson	
2009/0056011 A1	3/2009	Wolf et al.	

* cited by examiner

Primary Examiner — Robert Delehanty

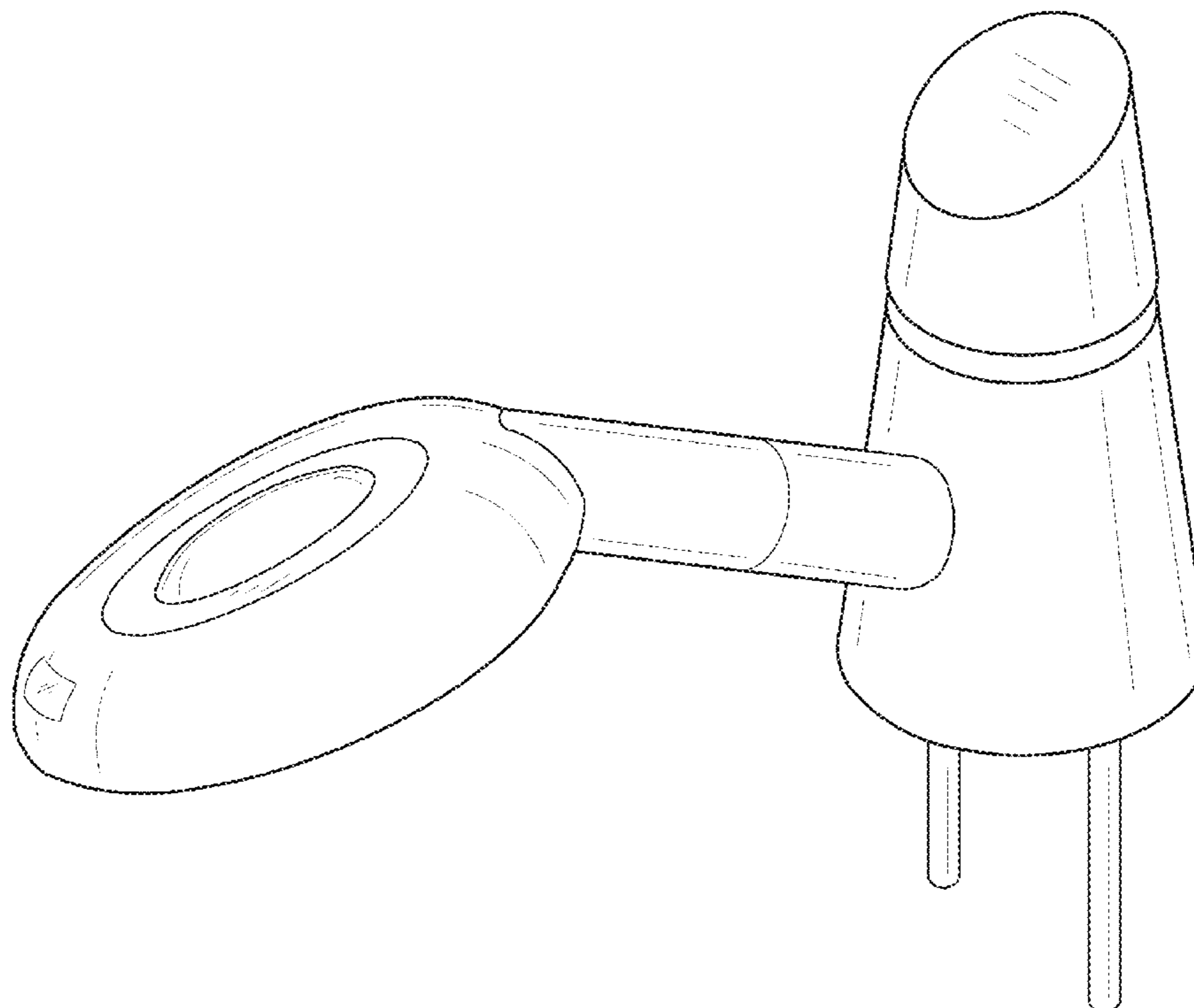
(57) **CLAIM**
The ornamental design for a faucet temperature sensor and display, as shown and described.

DESCRIPTION

FIG. 1 is a perspective top view of a faucet temperature sensor and display showing my new design;
FIG. 2 is a side view; opposite side view is a mirror image thereof;
FIG. 3 is a front view thereof;
FIG. 4 is a back view thereof;
FIG. 5 is a top view thereof;
FIG. 6 is a bottom view thereof;
FIG. 7 is a perspective bottom view; and,
FIG. 8 is a perspective view showing the spout broken away to indicate indeterminate length thereof.

1 Claim, 6 Drawing Sheets

- (56) **References Cited**
U.S. PATENT DOCUMENTS
D203,246 S * 12/1965 Harvey et al. D23/238
D280,543 S * 9/1985 Paul D23/242
5,160,197 A 11/1992 Klose
5,199,790 A 4/1993 Pawelzik et al.
5,320,137 A 6/1994 Huang
D403,048 S 12/1998 Allah



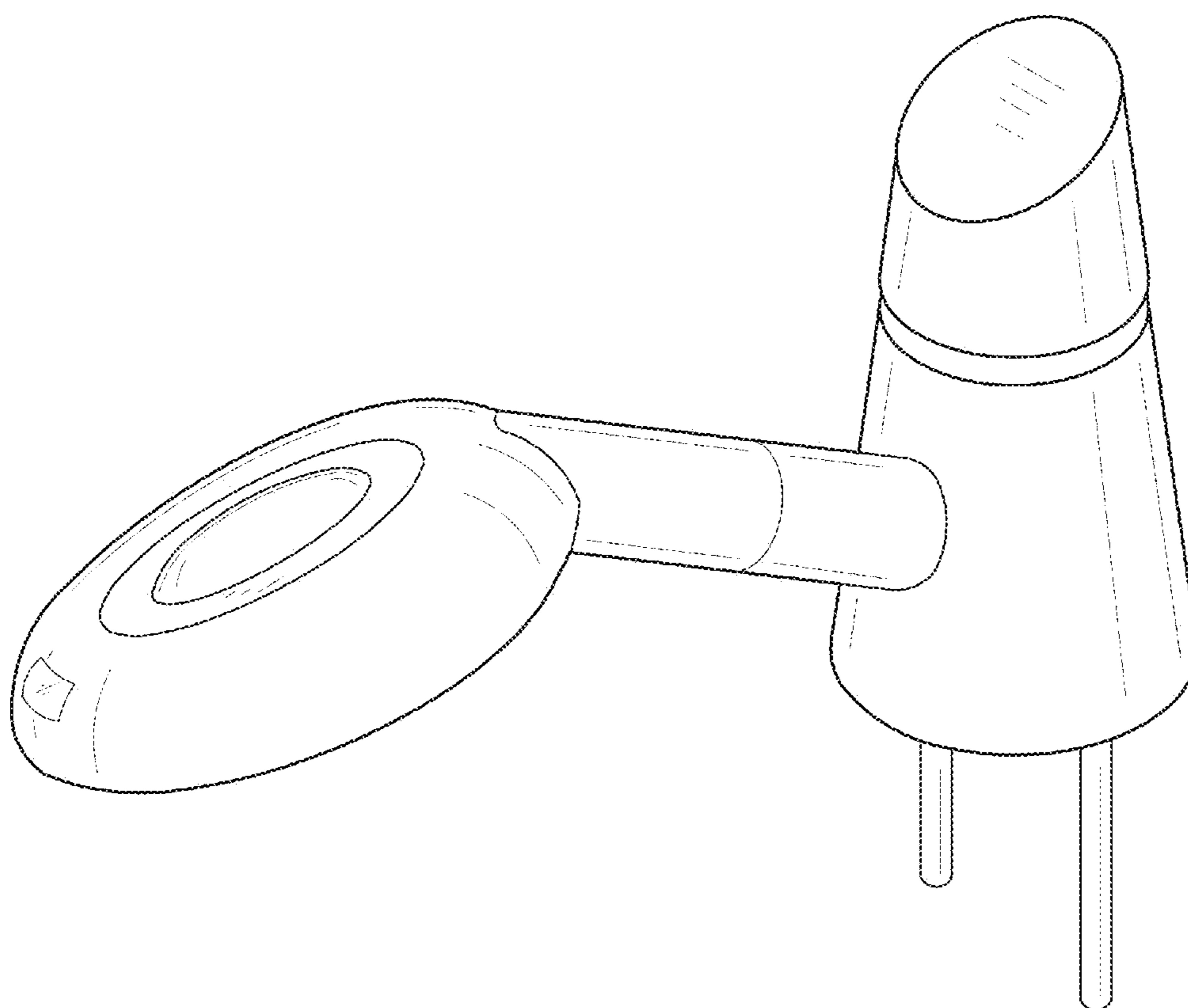


FIG. 1

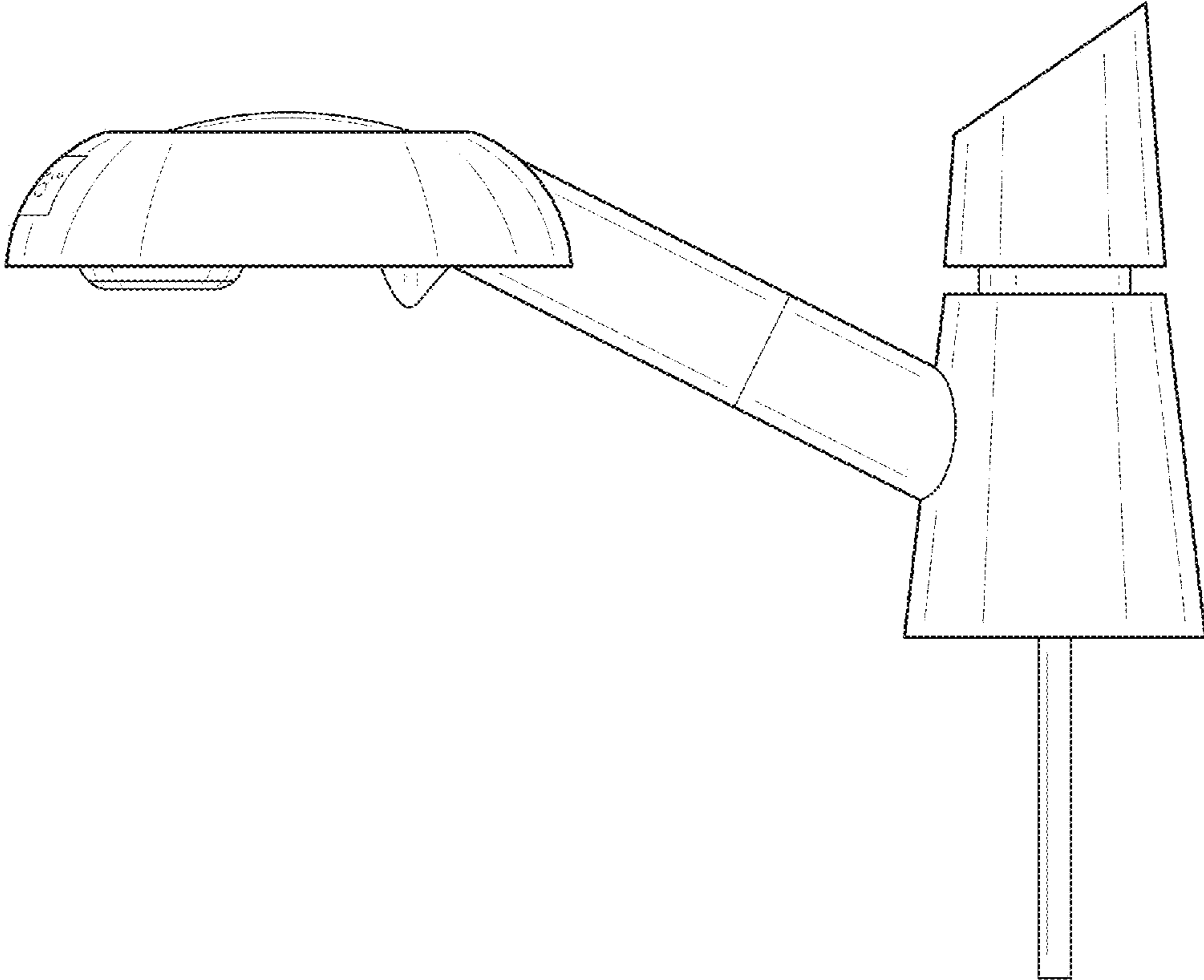


FIG. 2

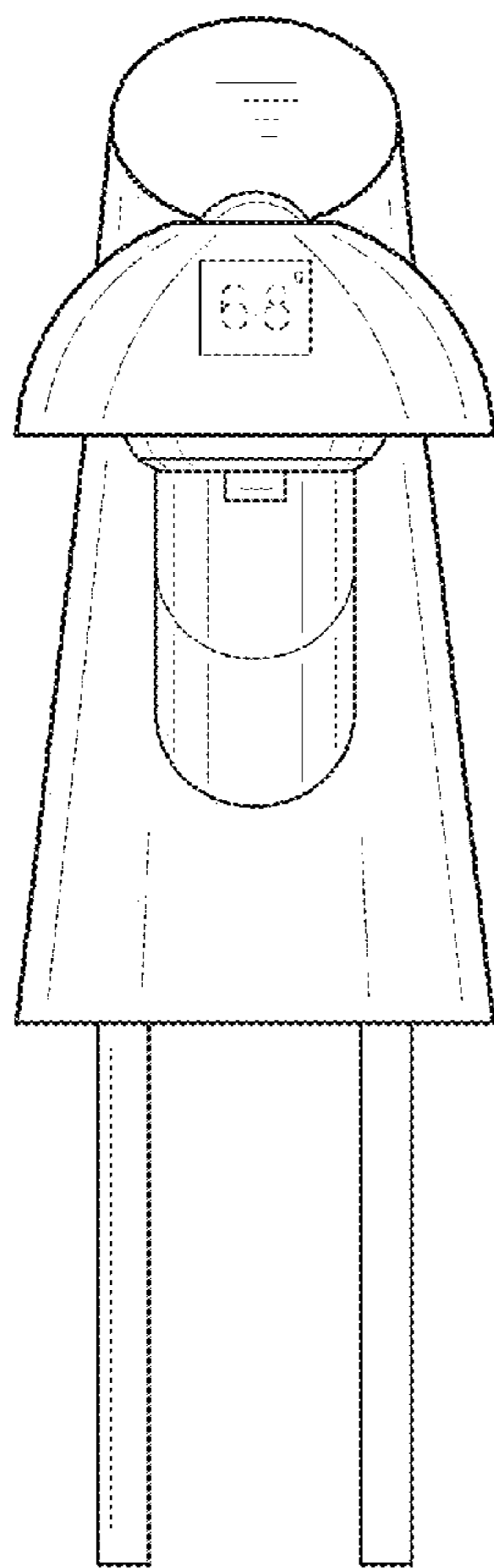


FIG. 3

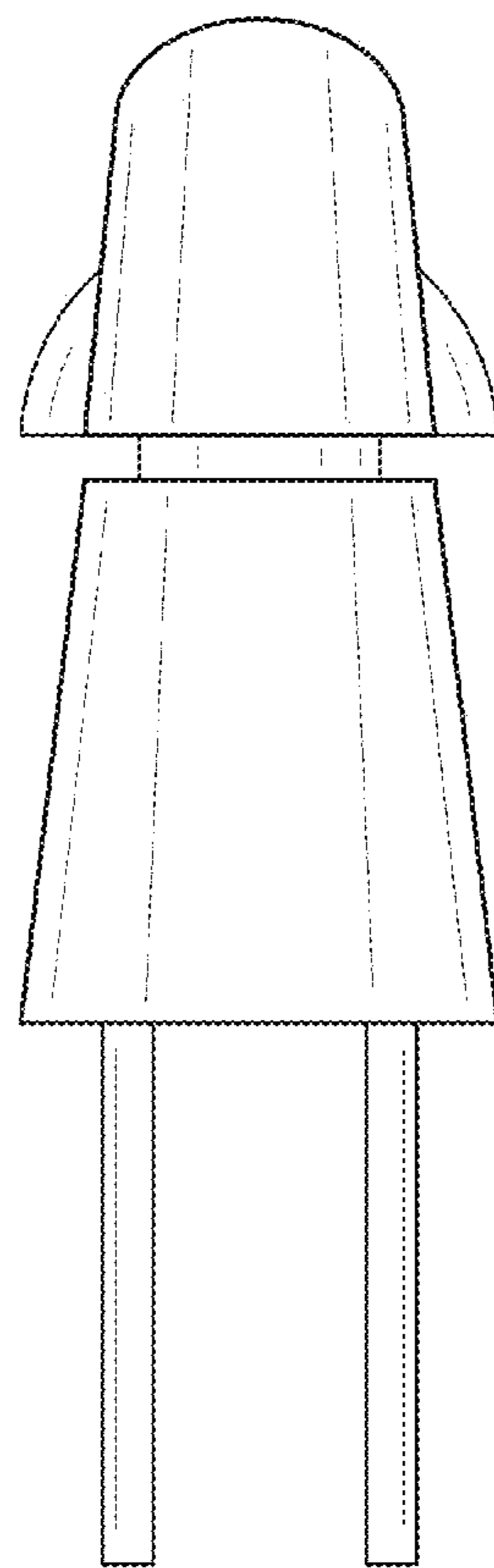


FIG. 4

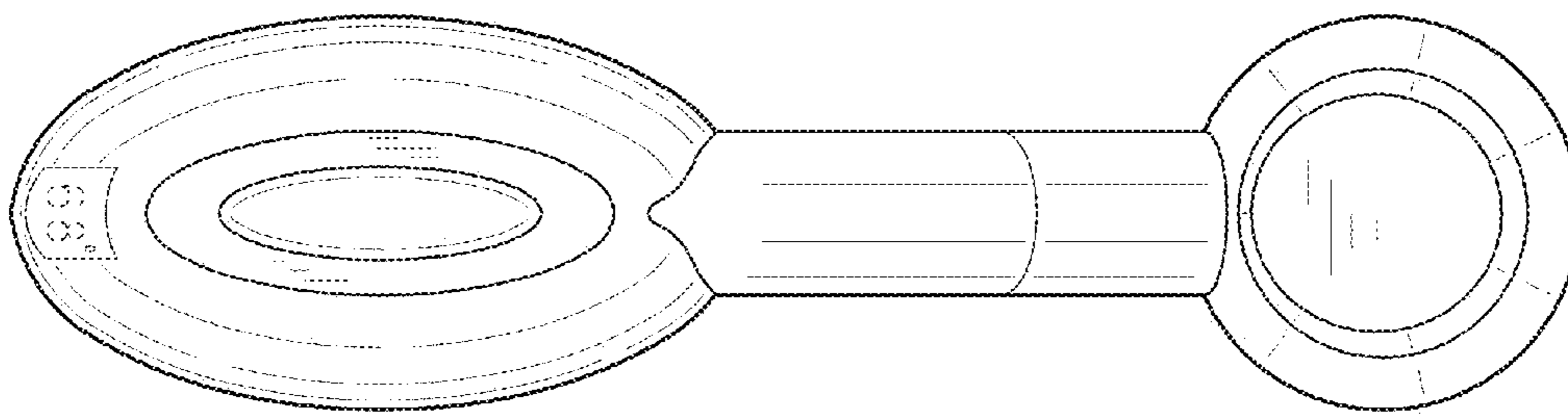


FIG. 5

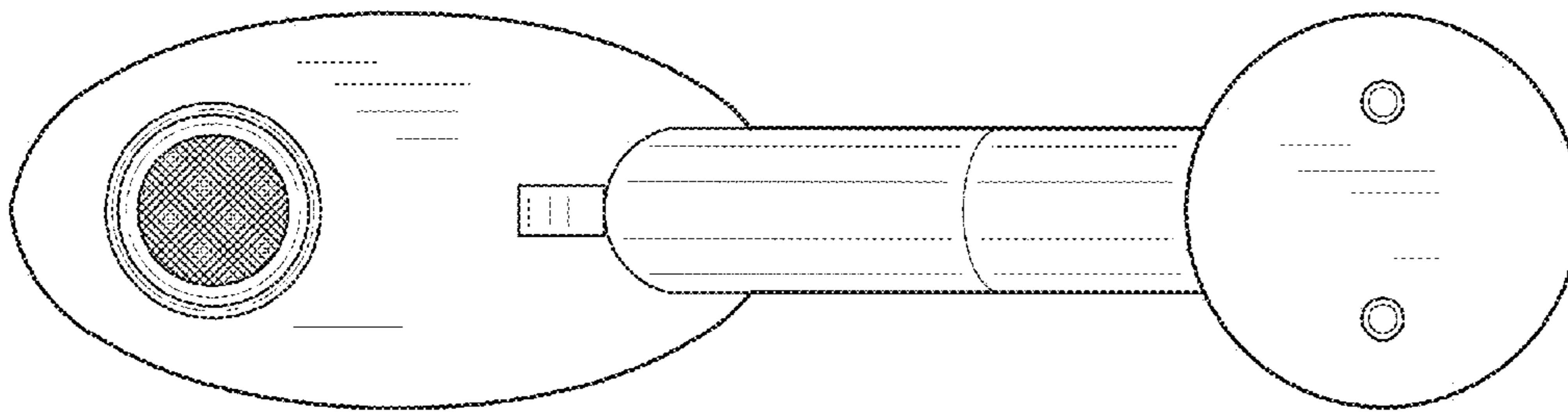


FIG. 6

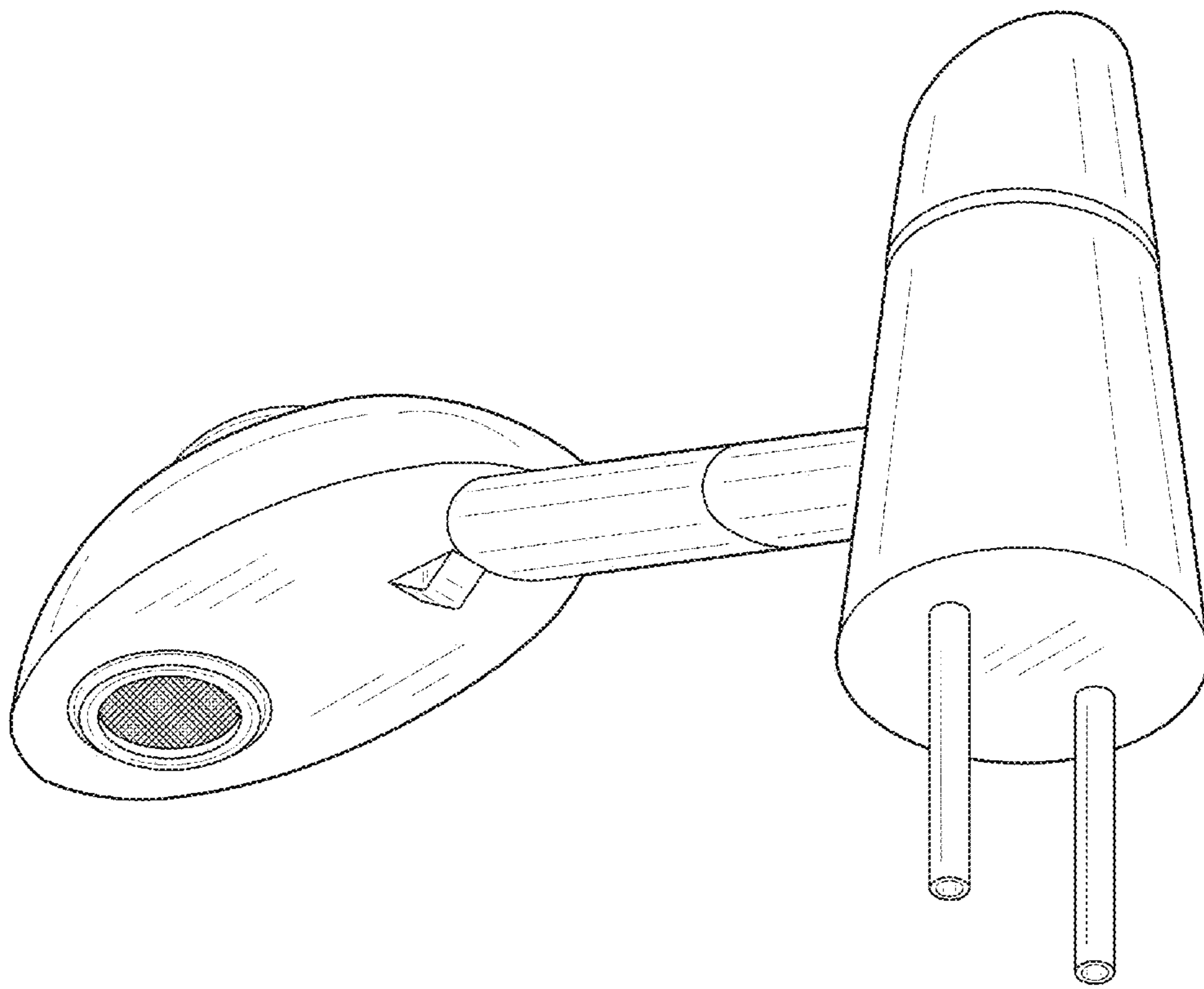


FIG. 7

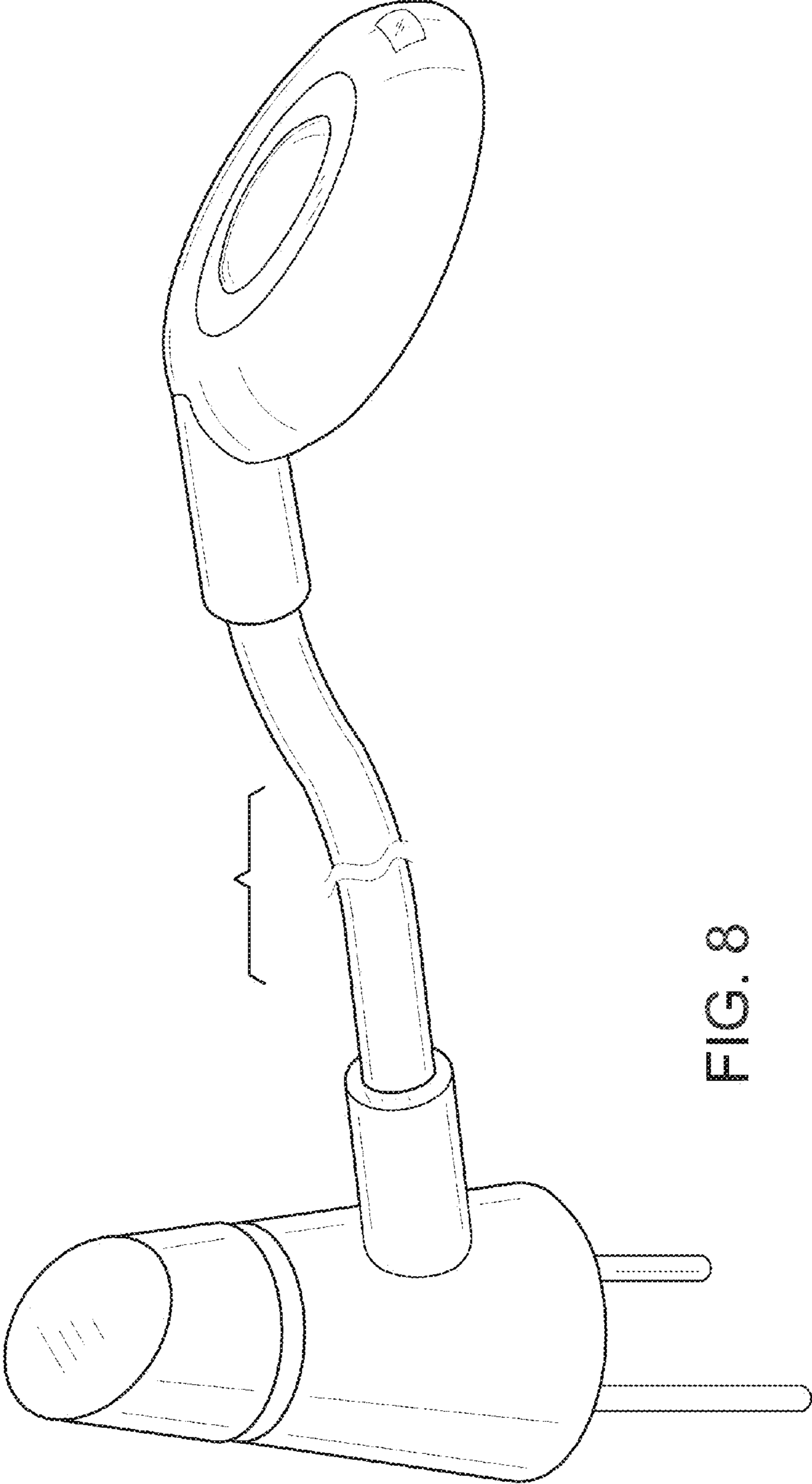


FIG. 8