



US00D707795S

(12) **United States Design Patent**
Huang

(10) **Patent No.:** **US D707,795 S**

(45) **Date of Patent:** **** Jun. 24, 2014**

(54) **CHECK VALVE**

(71) Applicant: **Federal Signal Corporation**, Oak Brook, IL (US)

(72) Inventor: **Xiaolun Huang**, Naperville, IL (US)

(73) Assignee: **Federal Signal Corporation**, Oak Brook, IL (US)

(**) Term: **14 Years**

(21) Appl. No.: **29/455,455**

(22) Filed: **May 21, 2013**

(51) **LOC (10) Cl.** **23-01**

(52) **U.S. Cl.**
USPC **D23/233**

(58) **Field of Classification Search**
USPC D23/233, 234, 235, 236, 237, 244, 245,
D23/246, 247, 248, 249; 137/515.7, 859,
137/843

See application file for complete search history.

(56) **References Cited**

U.S. PATENT DOCUMENTS

D309,916 S	*	8/1990	Higashi	D19/72
D319,866 S	*	9/1991	Rogers	D23/235
D401,671 S	*	11/1998	Lewis et al.	D23/233
D425,179 S	*	5/2000	Wrigley et al.	D23/233
D460,521 S	*	7/2002	Fujita et al.	D23/233
D467,769 S	*	12/2002	Riendeau	D9/447

D520,112 S	*	5/2006	Beaton	D23/233
D576,704 S		9/2008	Gilcher		
D602,564 S		10/2009	Nimberger		
D609,305 S	*	2/2010	Riendeau	D23/233
D623,723 S		9/2010	Nimberger		
D643,093 S	*	8/2011	Schmuckle et al.	D23/235
D647,596 S		10/2011	Bonnell		

* cited by examiner

Primary Examiner — Cynthia Ramirez

(74) *Attorney, Agent, or Firm* — Merchant & Gould, P.C.

(57) **CLAIM**

The ornamental design for a check valve, as shown and described.

DESCRIPTION

FIG. 1 is a perspective view of a first embodiment of a check valve;

FIG. 2 is a front view of the check valve of FIG. 1;

FIG. 3 is a rear view of the check valve of FIG. 1;

FIG. 4 is a right side view of the check valve of FIG. 1;

FIG. 5 is a left side view of the check valve of FIG. 1;

FIG. 6 is a top view of the check valve of FIG. 1;

FIG. 7 is a bottom view of the check valve of FIG. 1;

FIG. 8 is a perspective view of a second embodiment of a check valve;

FIG. 9 is a front view of the check valve of FIG. 8;

FIG. 10 is a rear view of the check valve of FIG. 8;

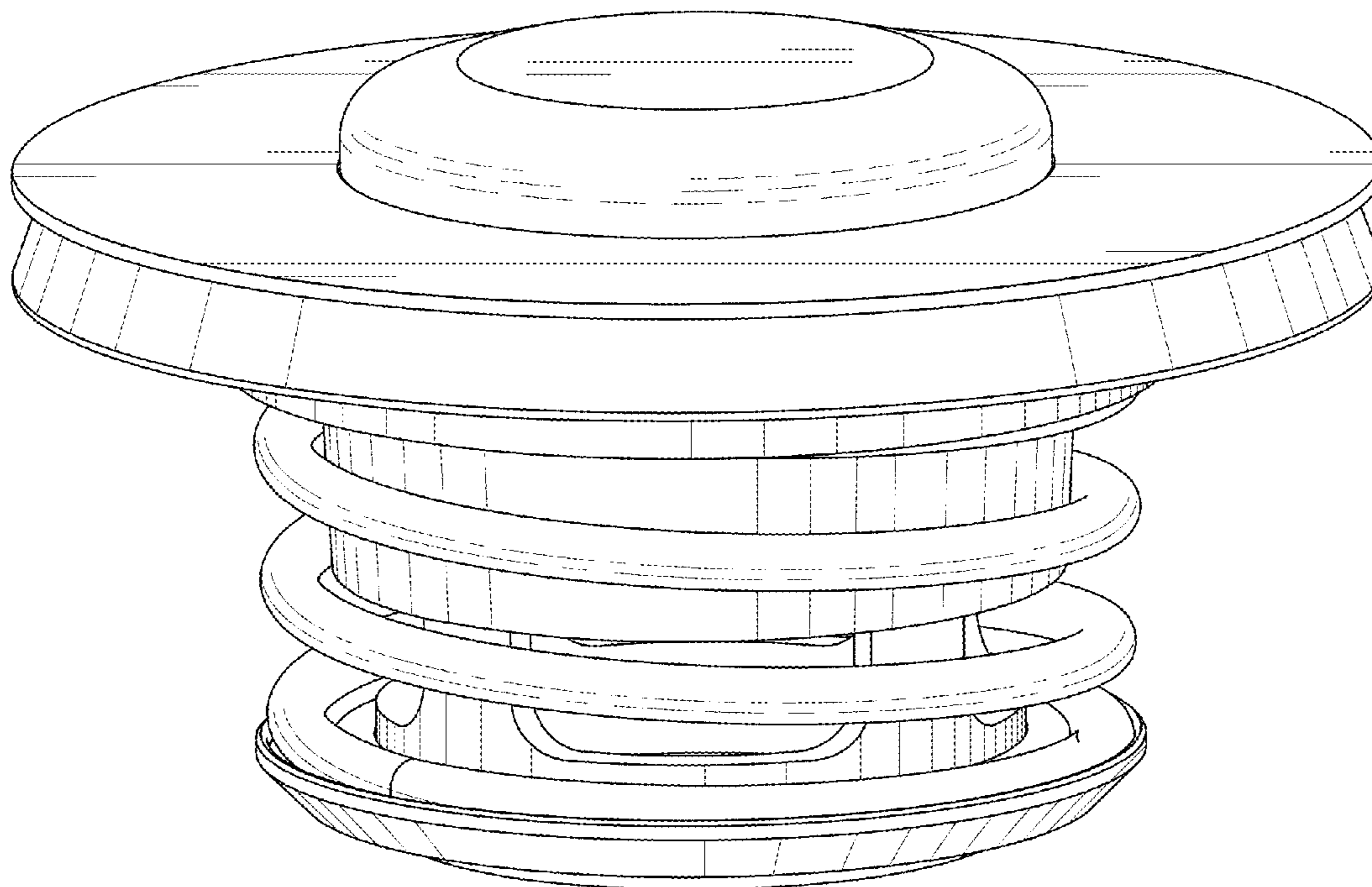
FIG. 11 is a right side view of the check valve of FIG. 8;

FIG. 12 is a left side view of the check valve of FIG. 8;

FIG. 13 is a top view of the check valve of FIG. 8; and,

FIG. 14 is a bottom view of the check valve of FIG. 8.

1 Claim, 14 Drawing Sheets



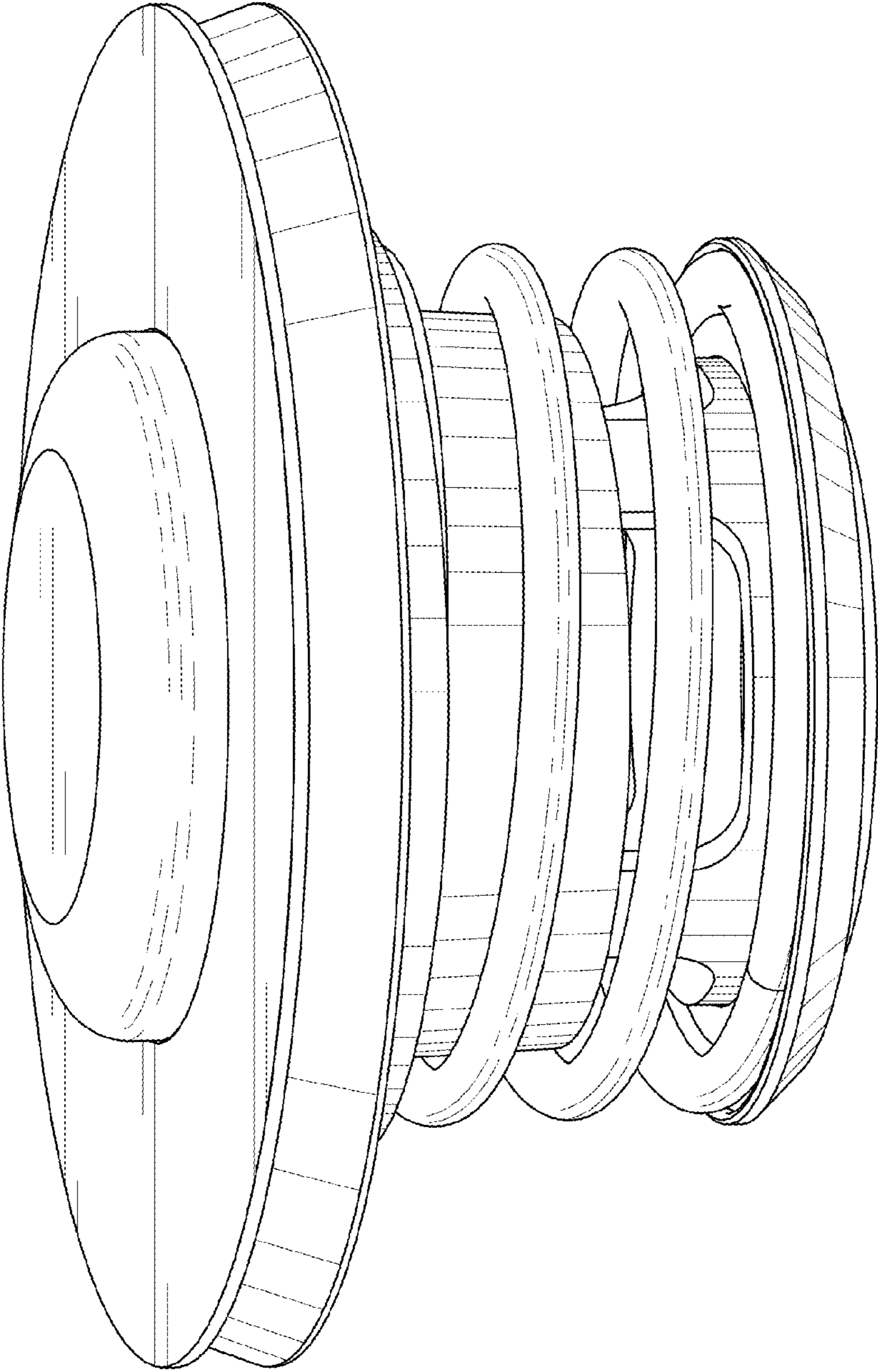


FIG. 1

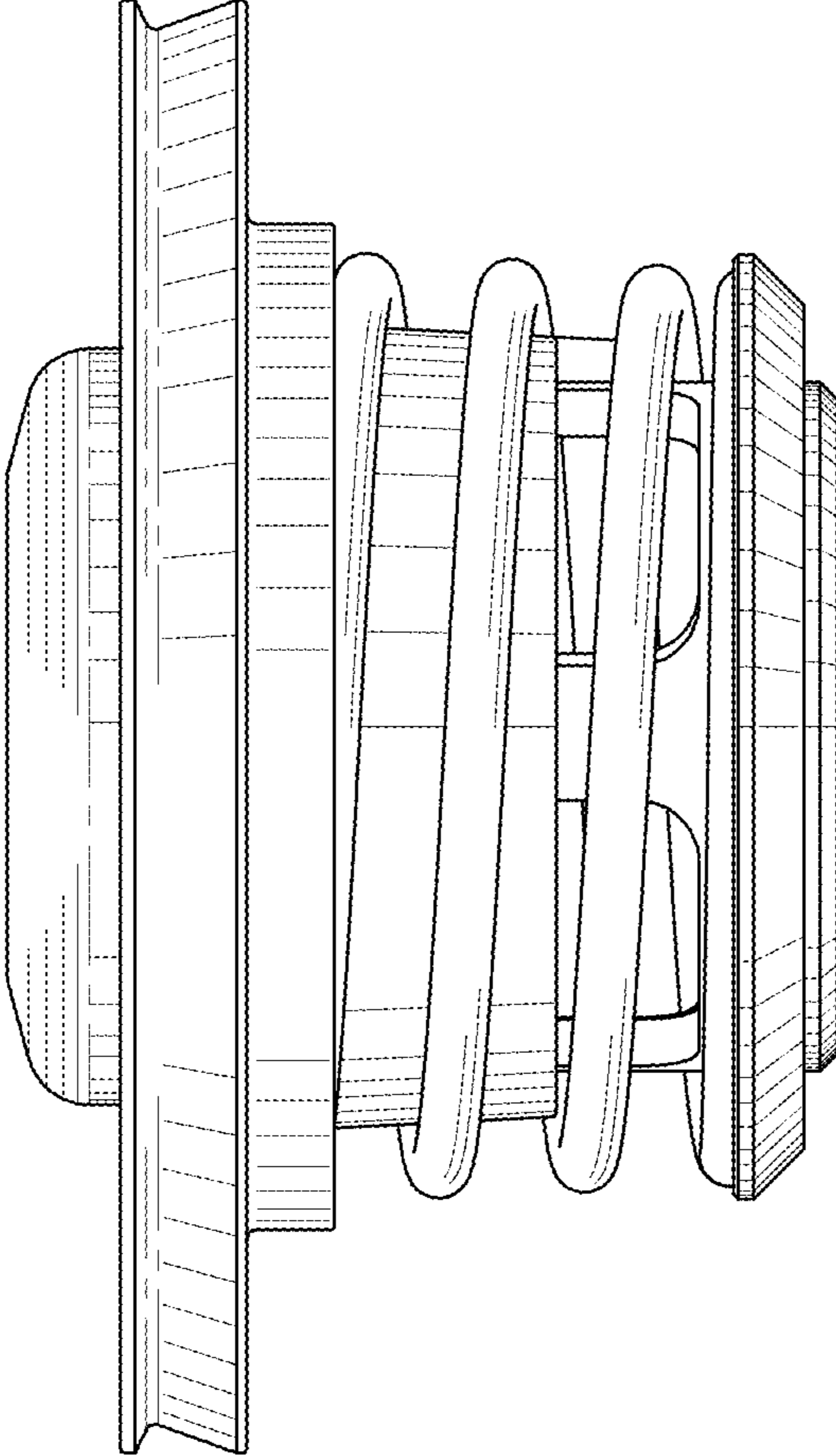


FIG. 2

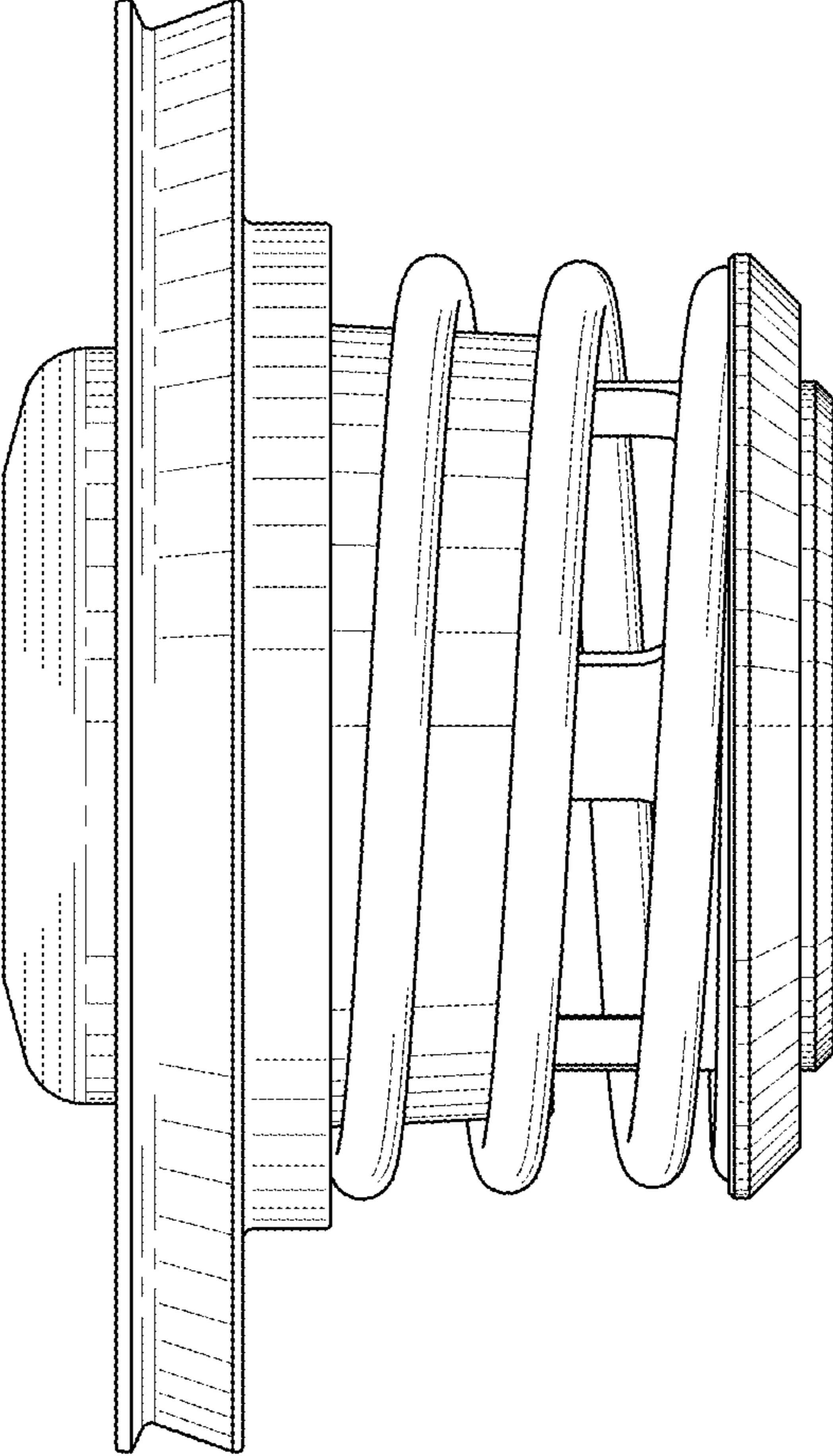


FIG. 3

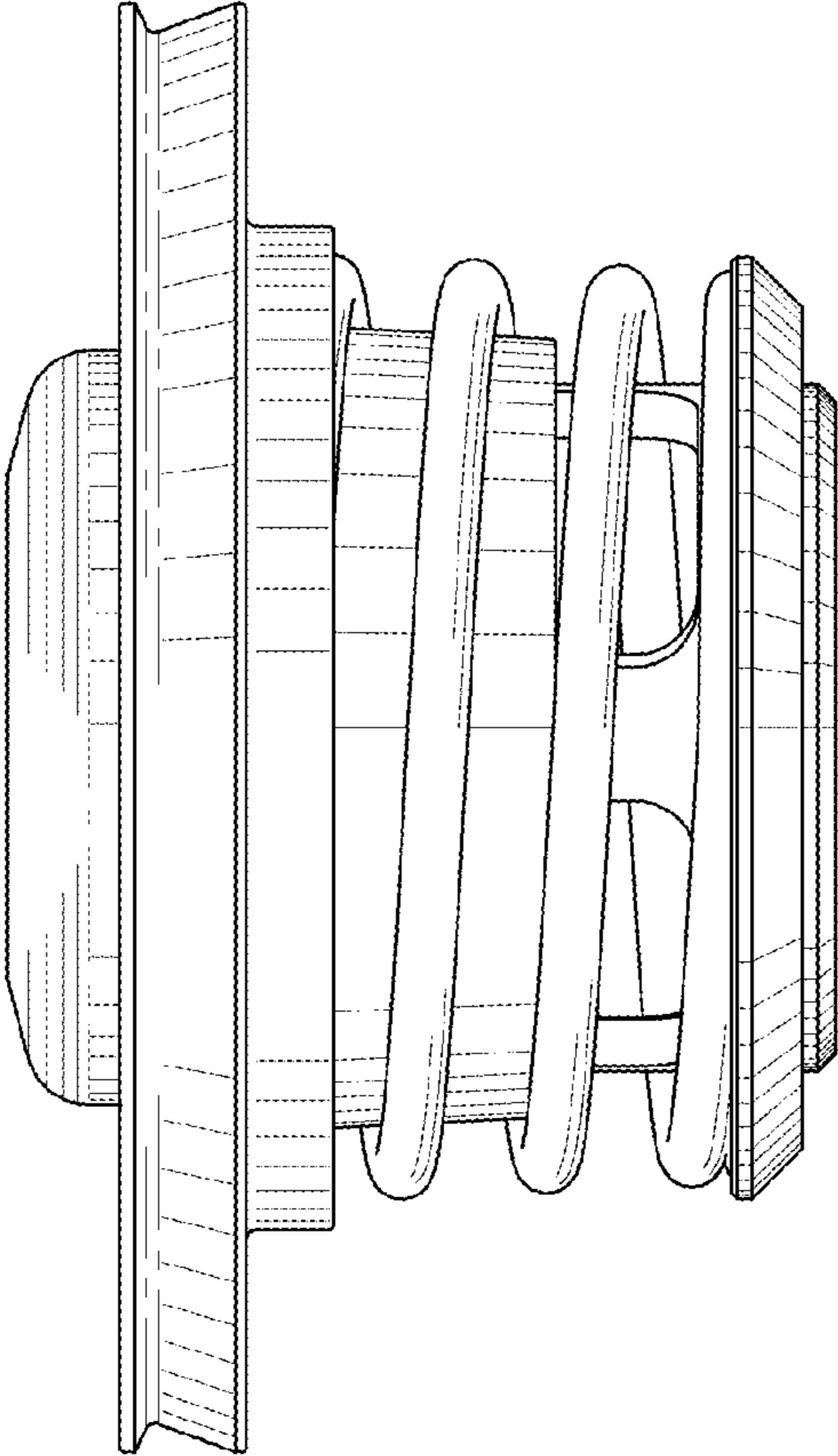


FIG. 4

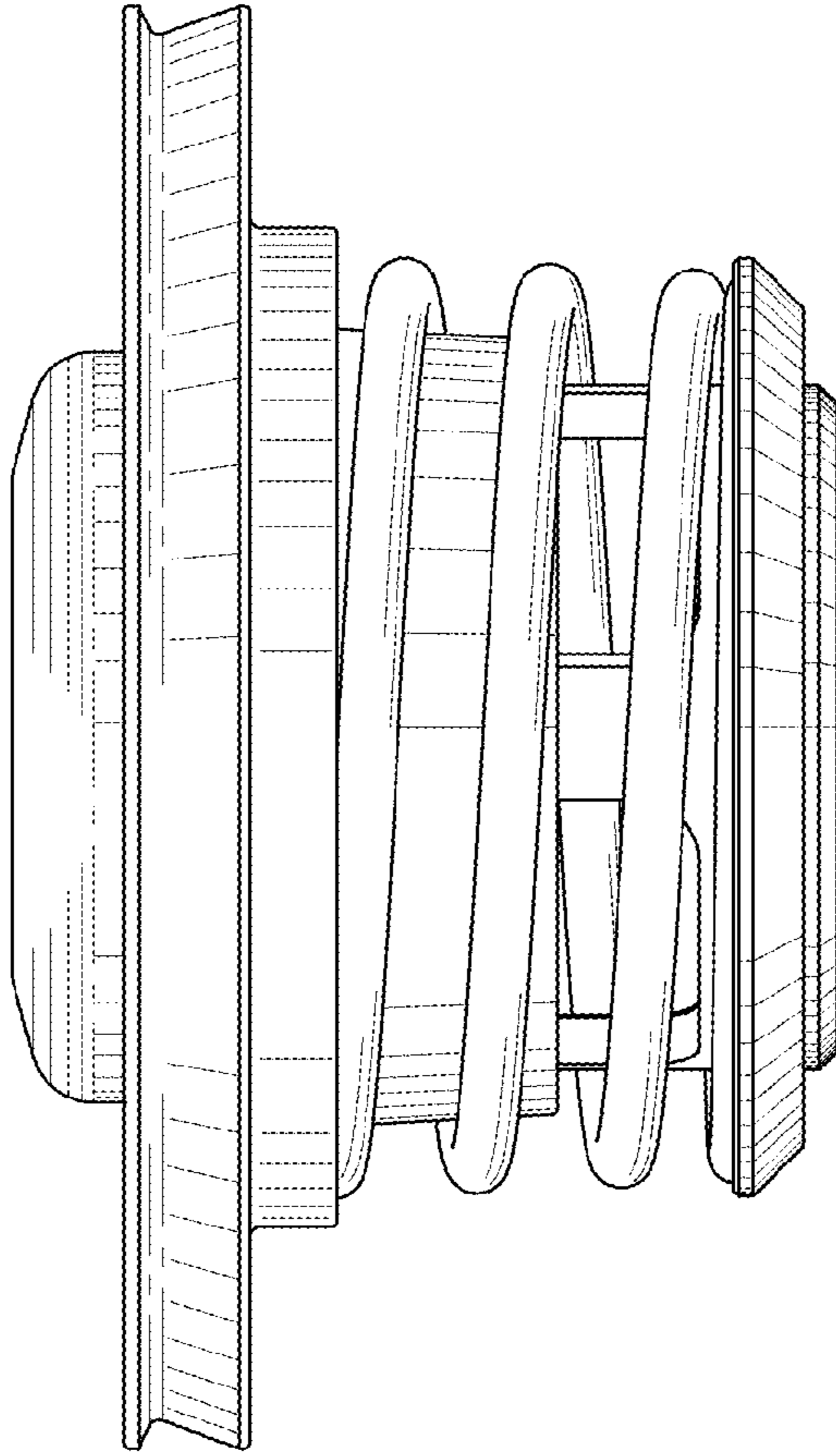


FIG. 5

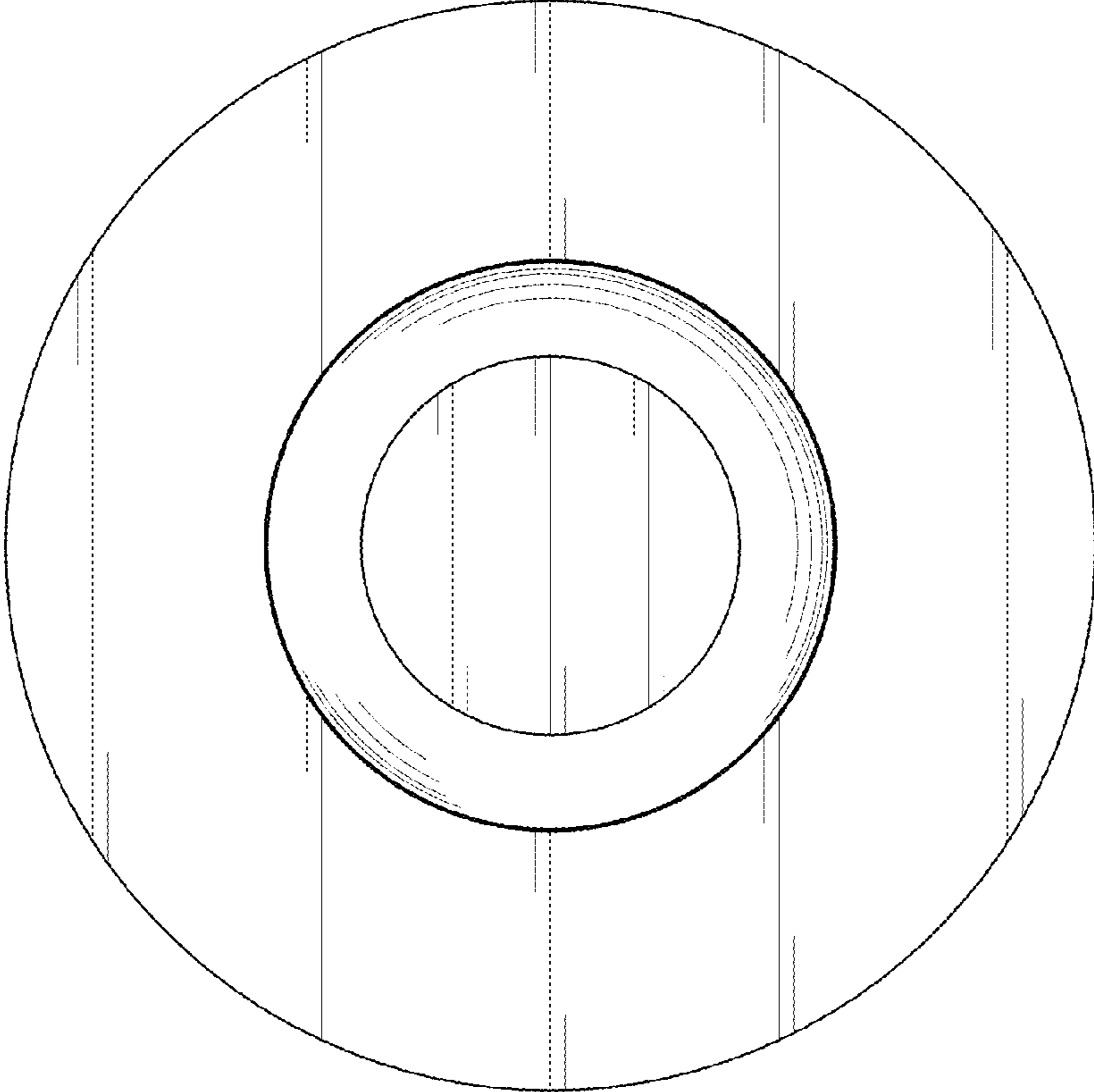


FIG. 6

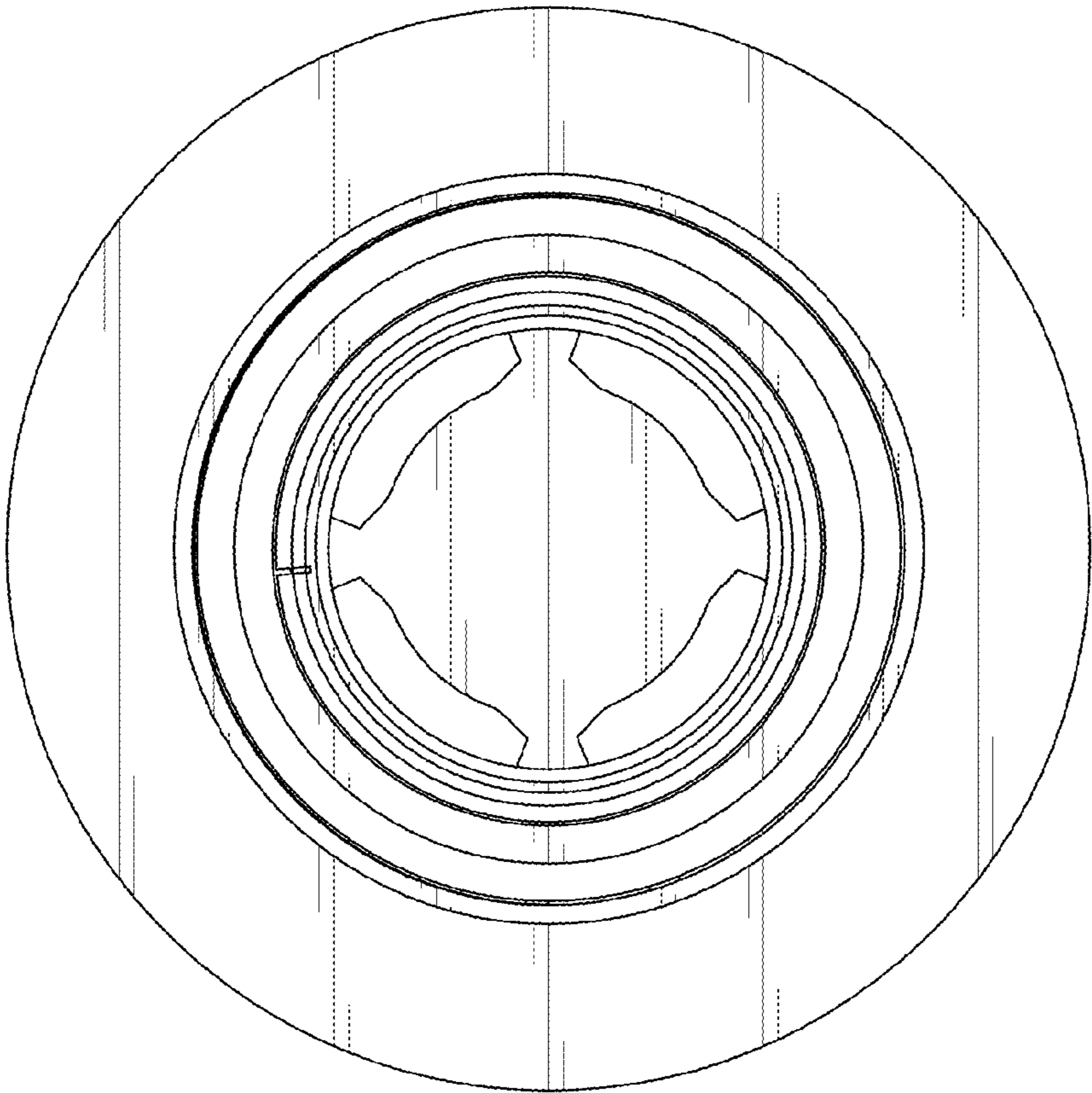
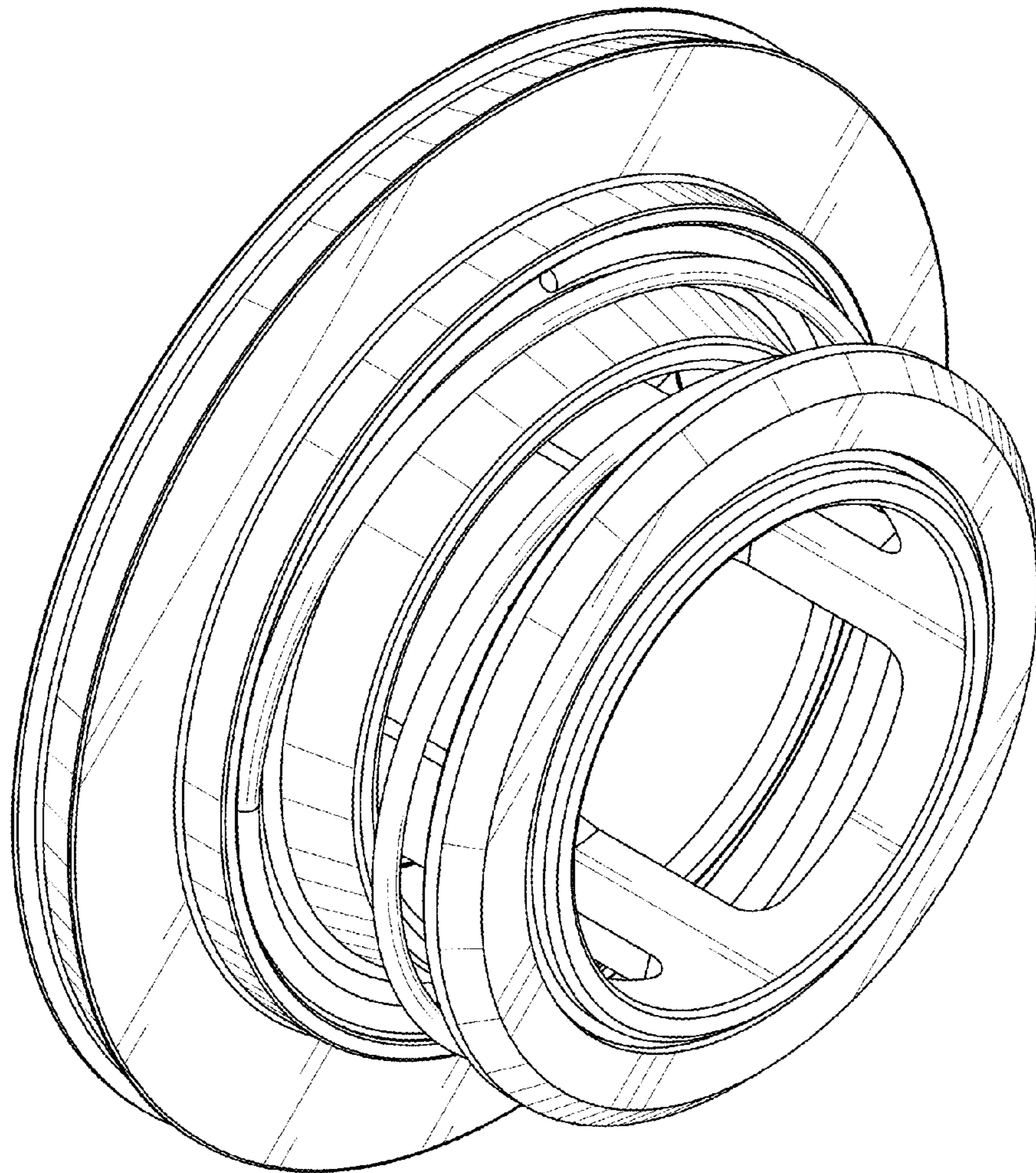


FIG. 7

FIG. 8



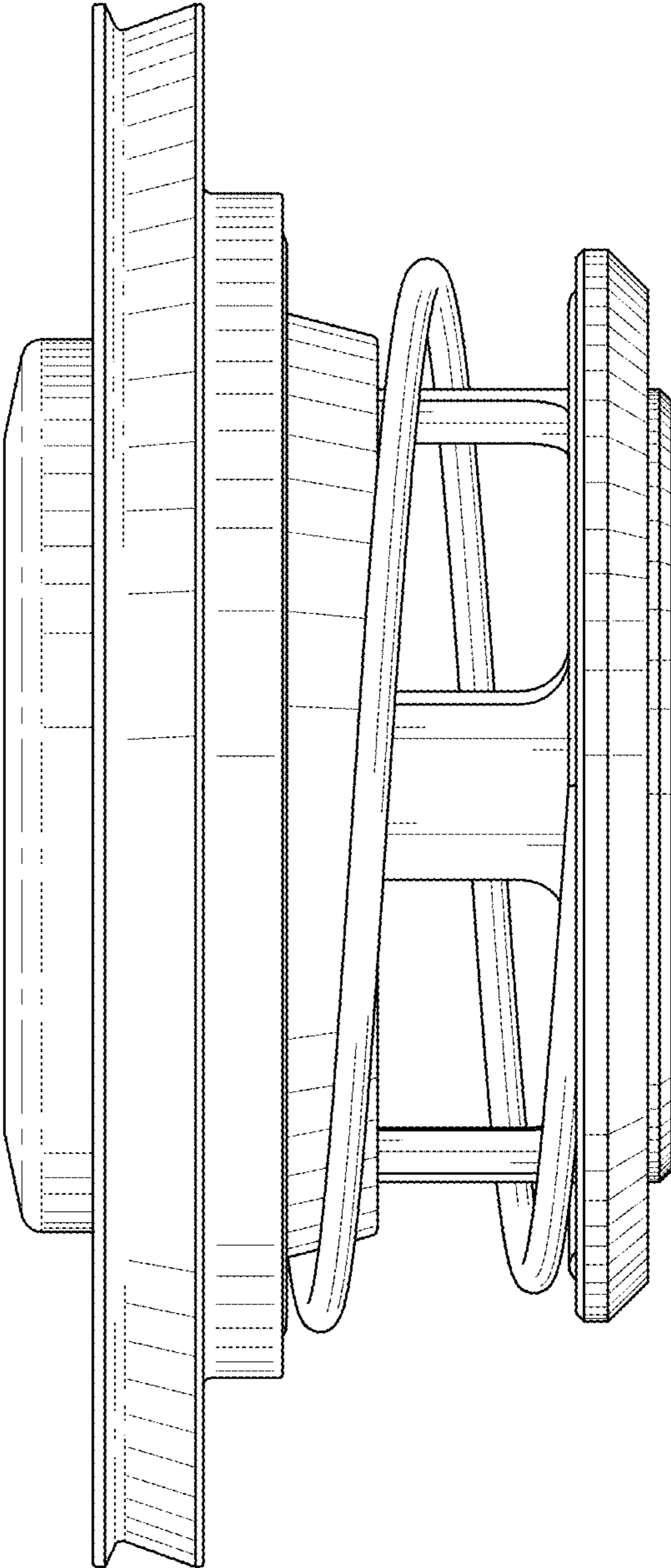


FIG. 9

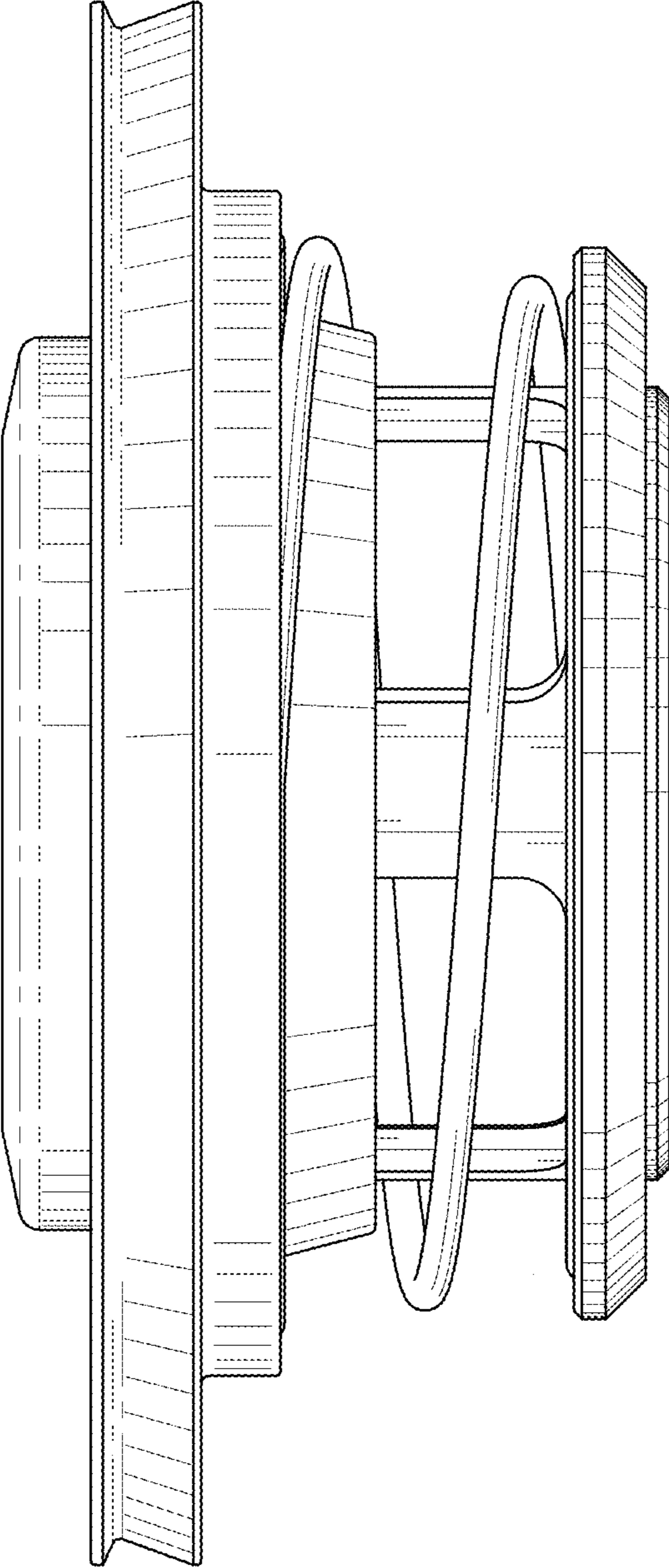


FIG. 10

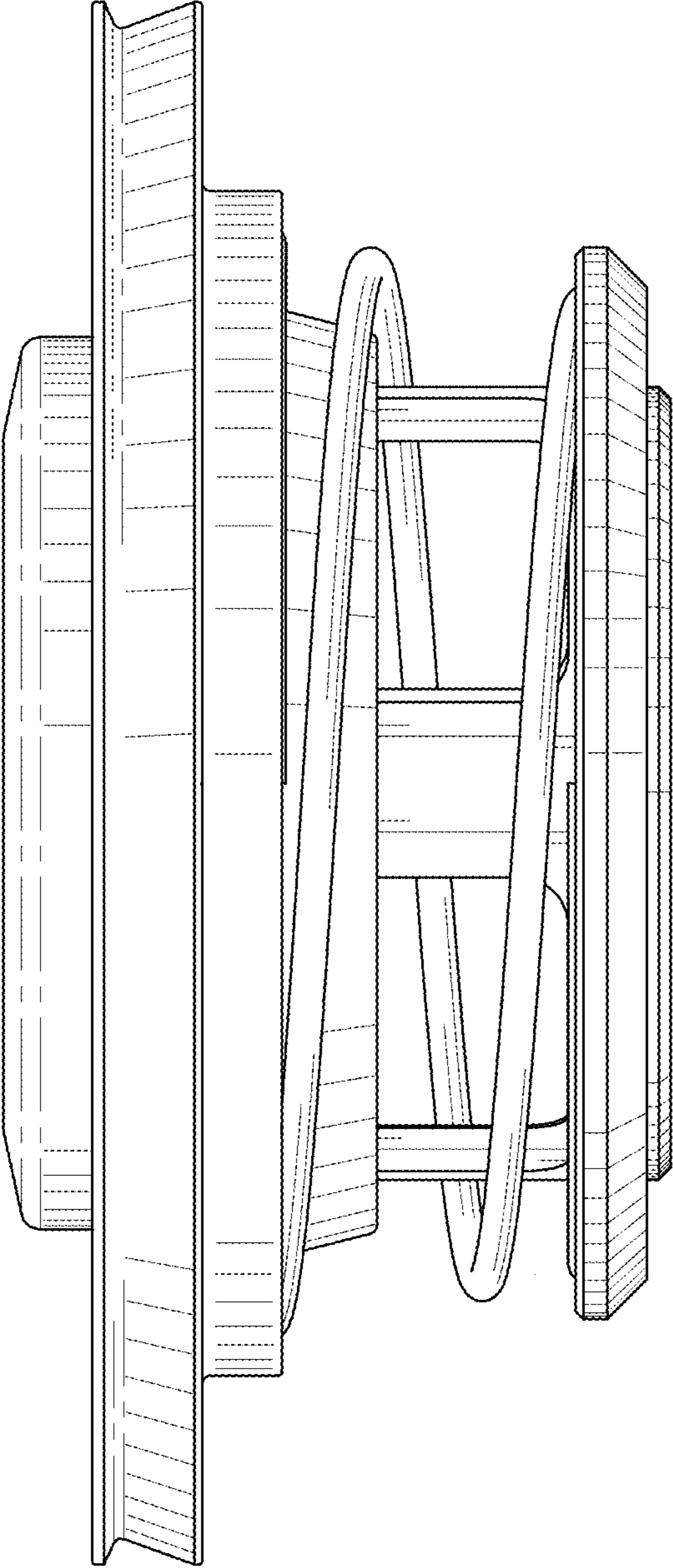


FIG. 11

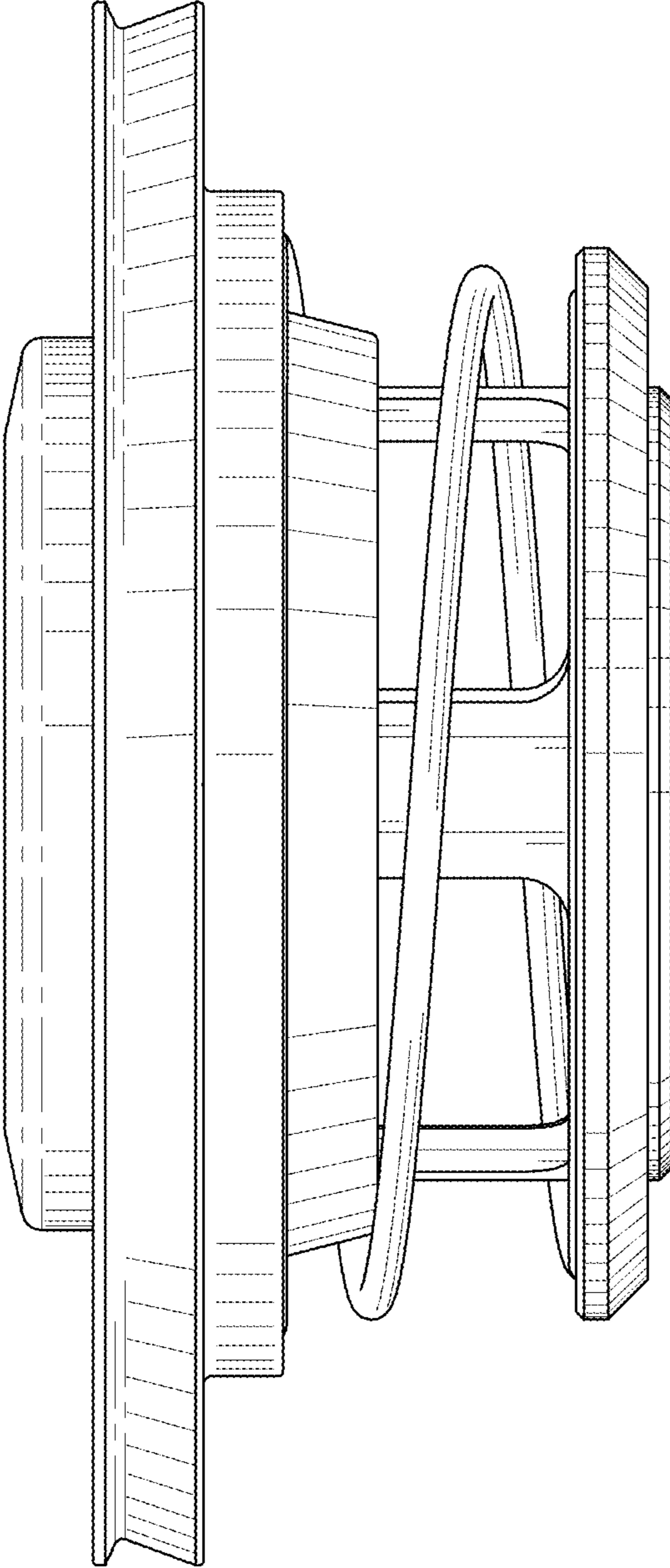


FIG. 12

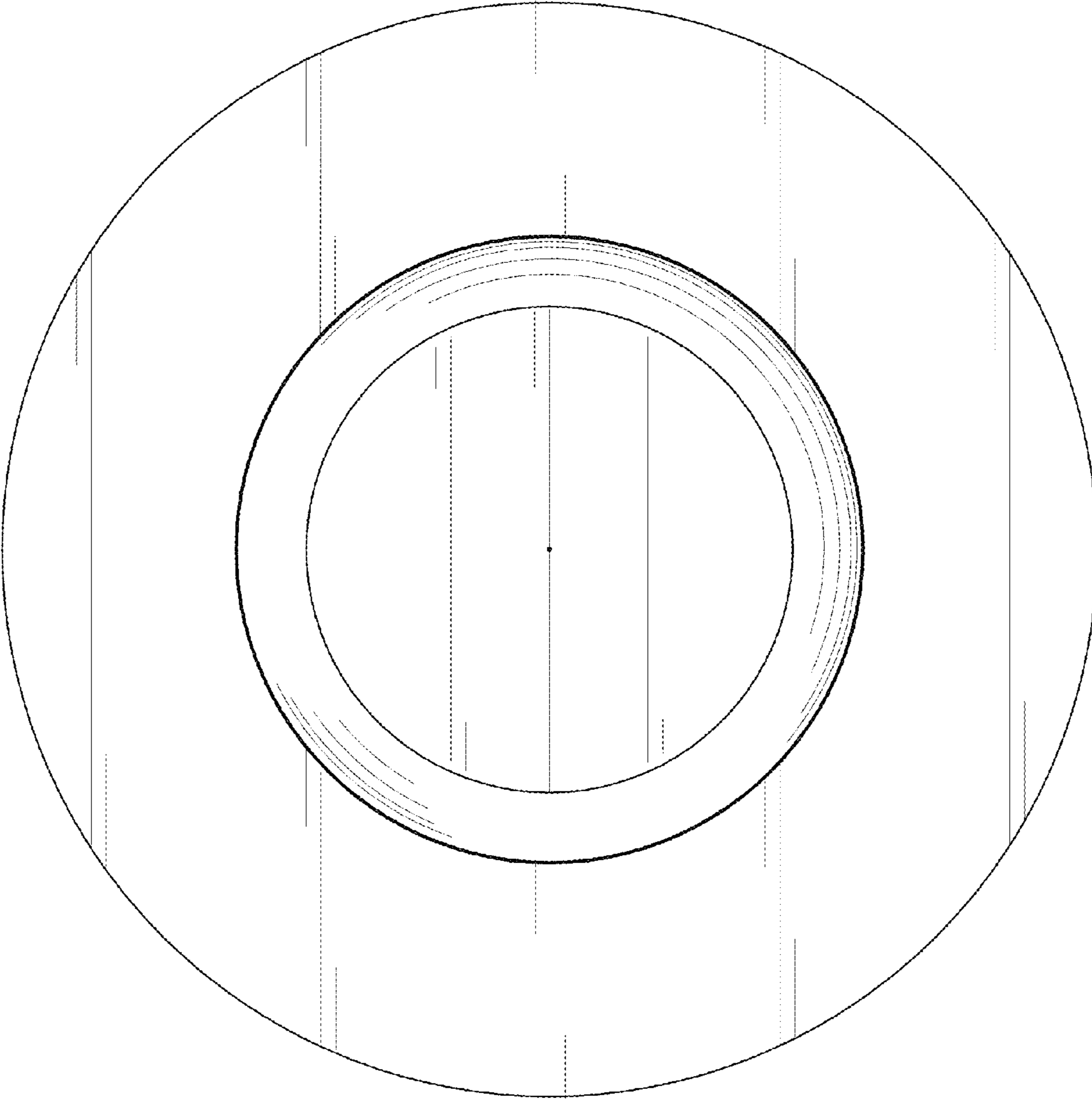


FIG. 13

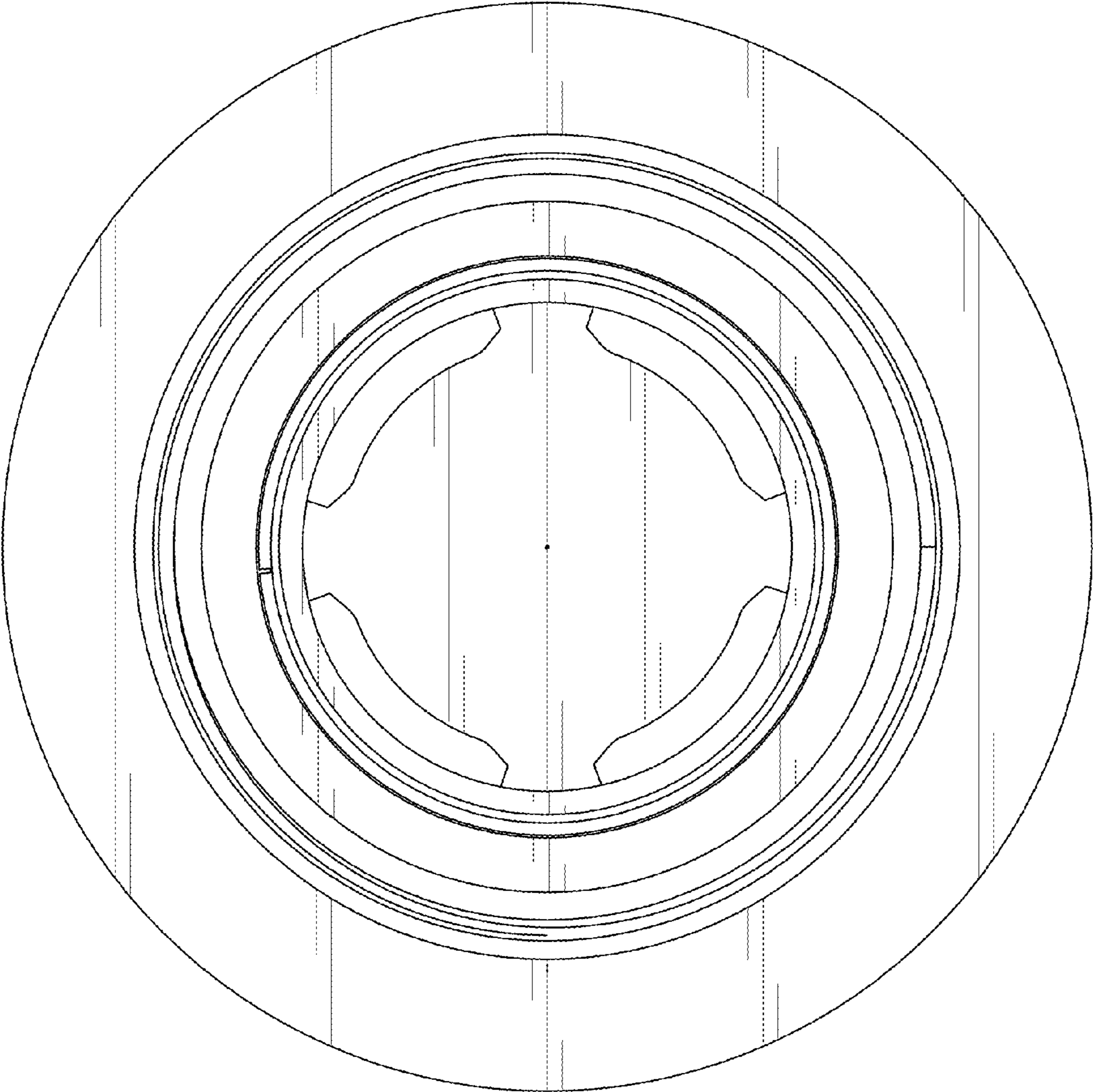


FIG. 14