



US00D707793S

(12) **United States Design Patent**
von der Lancken et al.

(10) **Patent No.:** **US D707,793 S**

(45) **Date of Patent:** **** Jun. 24, 2014**

(54) **SHOWERHEAD**

(71) Applicant: **Hansgrohe SE**, Schiltach (DE)

(72) Inventors: **Charlotte von der Lancken**, Stockholm (SE); **Anna Lindgren**, Stockholm (SE); **Sofia Lagerkvist**, Stockholm (SE)

(73) Assignee: **Hansgrohe SE**, Schiltach (DE)

(**) Term: **14 Years**

(21) Appl. No.: **29/464,930**

(22) Filed: **Aug. 22, 2013**

(30) **Foreign Application Priority Data**

Feb. 26, 2013 (EM) 001362313-0004

(51) **LOC (10) Cl.** **23-01**

(52) **U.S. Cl.**
USPC **D23/213**

(58) **Field of Classification Search**
USPC D23/213, 229, 230; 239/282, 283, 548;
4/615
See application file for complete search history.

(56) **References Cited**

U.S. PATENT DOCUMENTS

733,635 A * 7/1903 Dunn 239/283
D487,498 S * 3/2004 Blomstrom D23/213
D511,810 S * 11/2005 Hanna D23/229
D536,420 S * 2/2007 Paterson et al. D23/229

D555,769 S * 11/2007 Lee D23/229
D562,937 S 2/2008 Schonherr et al.
D592,275 S 5/2009 Schoenherr et al.
D629,068 S * 12/2010 Lee D23/229
D638,100 S * 5/2011 Juan D23/213
D672,435 S 12/2012 Romero et al.
D678,468 S * 3/2013 Hanna D23/229

FOREIGN PATENT DOCUMENTS

EM 001805938-0007 1/2011
EM 001351027-0001 9/2012
EM 002097584-0001 9/2012

* cited by examiner

Primary Examiner — Robin V Webster

(74) *Attorney, Agent, or Firm* — Lora J. Graentzdoerffer

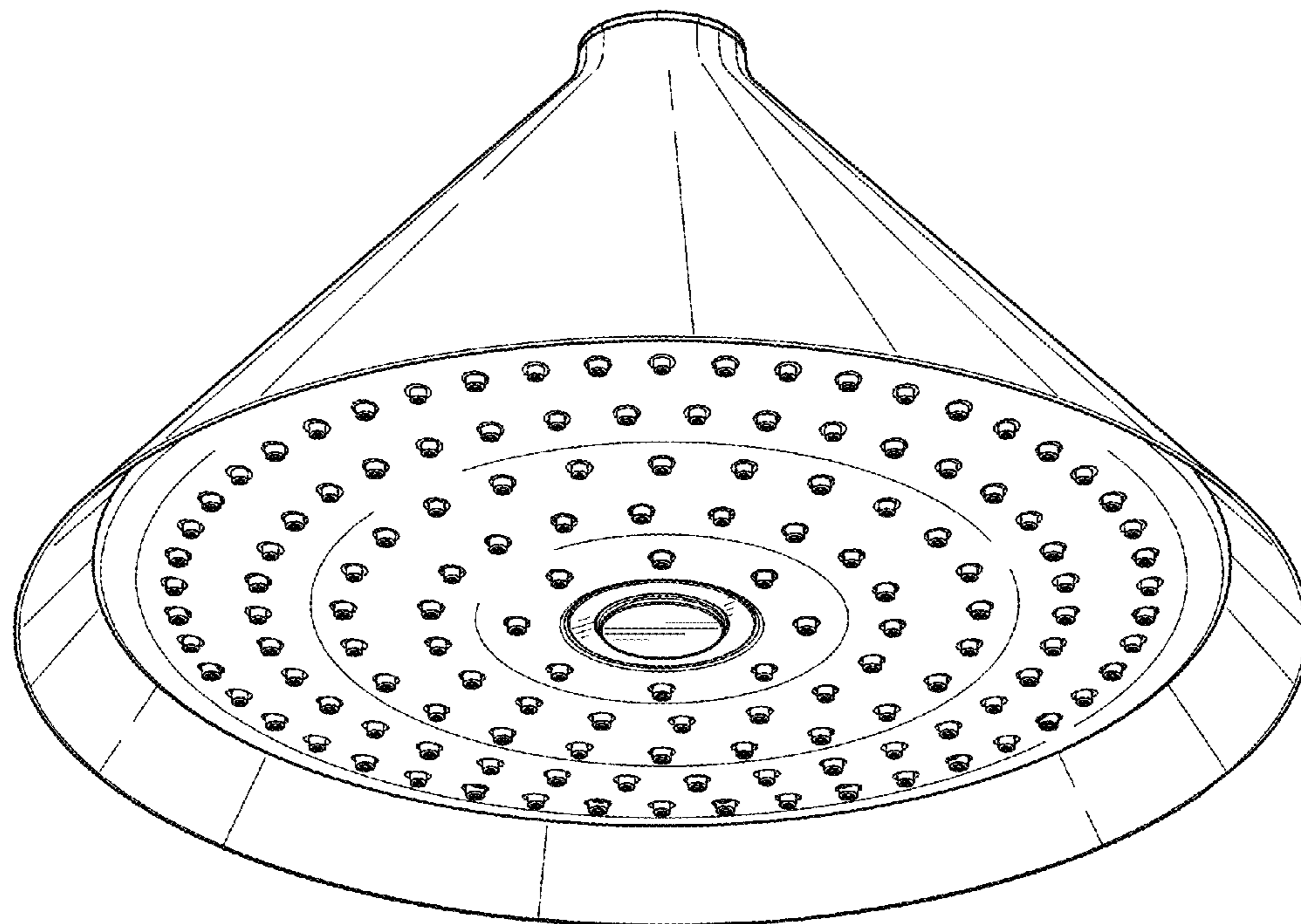
(57) **CLAIM**

The ornamental design for a showerhead, as shown and described.

DESCRIPTION

FIG. 1 is a perspective view of a showerhead showing our design;
FIG. 2 is a front elevational view thereof;
FIG. 3 is a rear elevational view thereof;
FIG. 4 is a left side elevational view thereof;
FIG. 5 is a right side elevational view thereof;
FIG. 6 is a top plan view thereof; and,
FIG. 7 is a bottom plan view thereof.

1 Claim, 7 Drawing Sheets



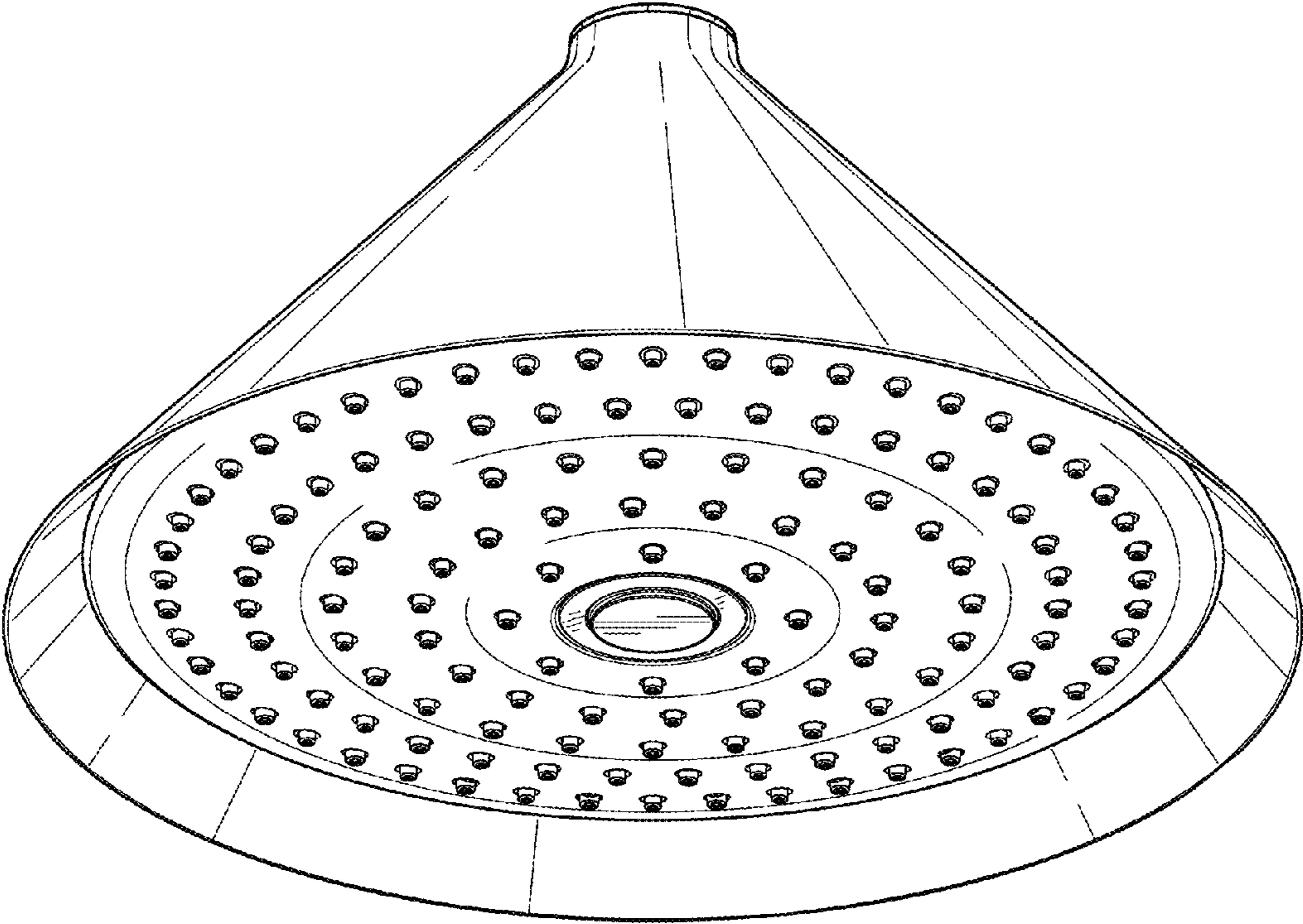


FIG. 1

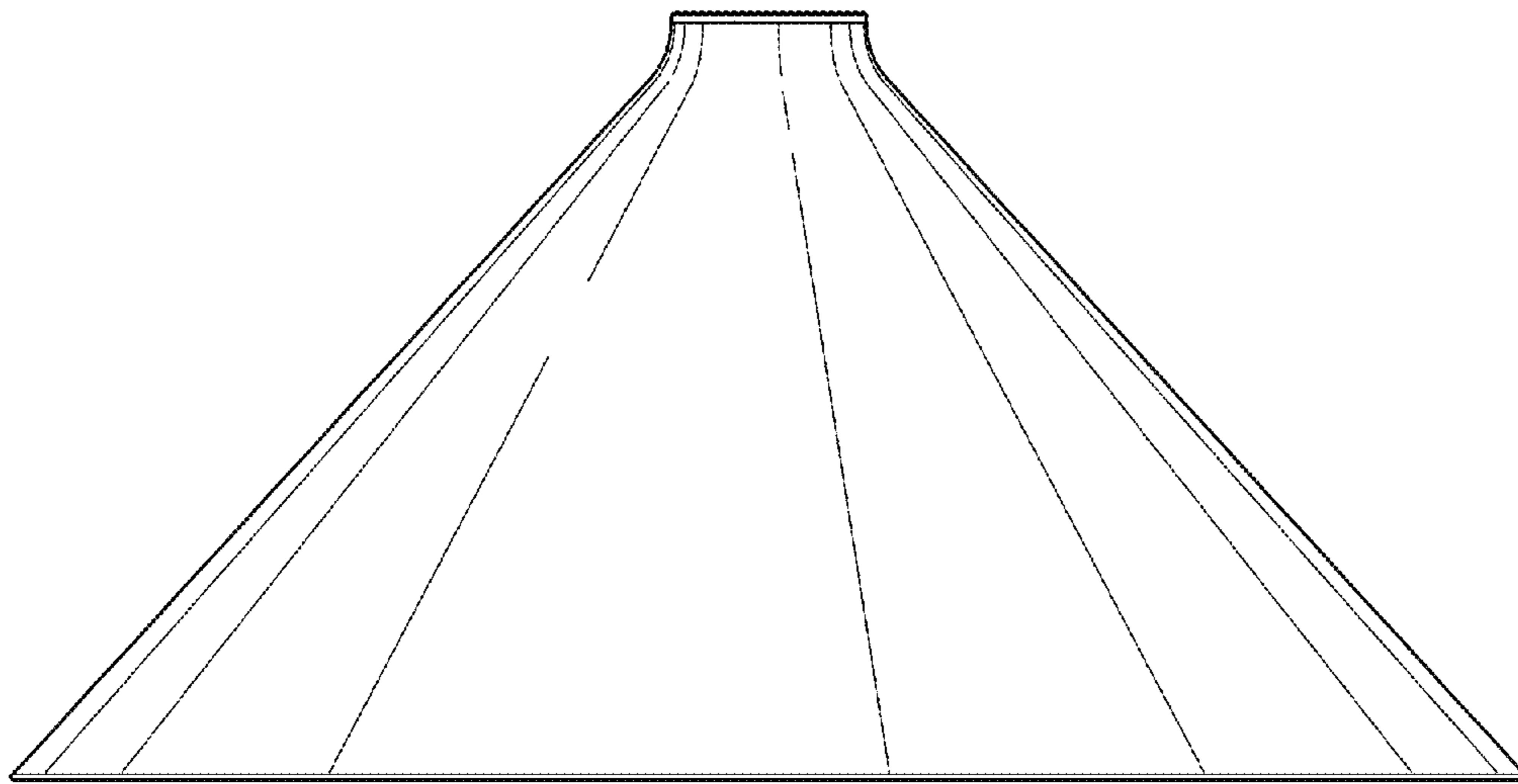


FIG. 2

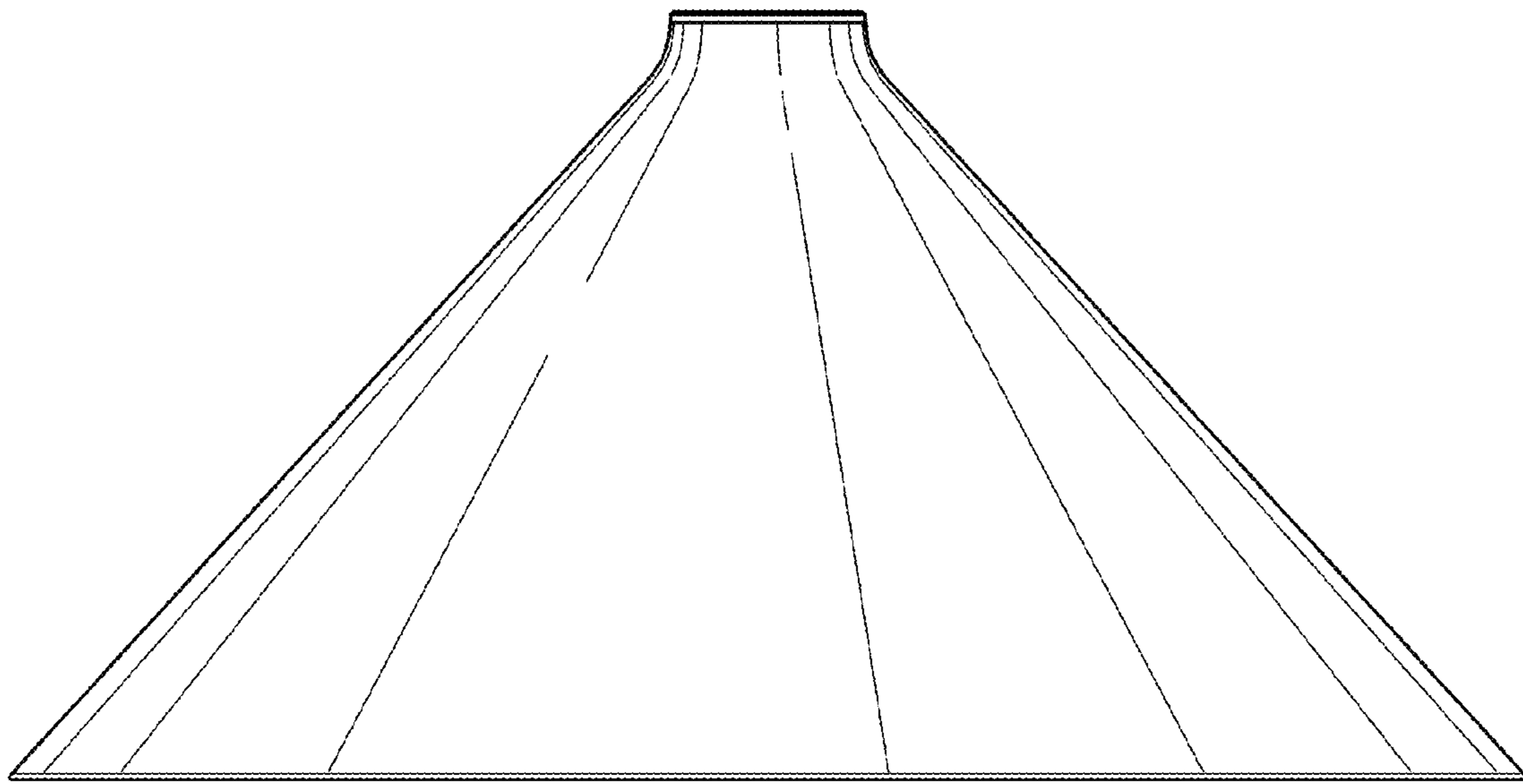


FIG. 3

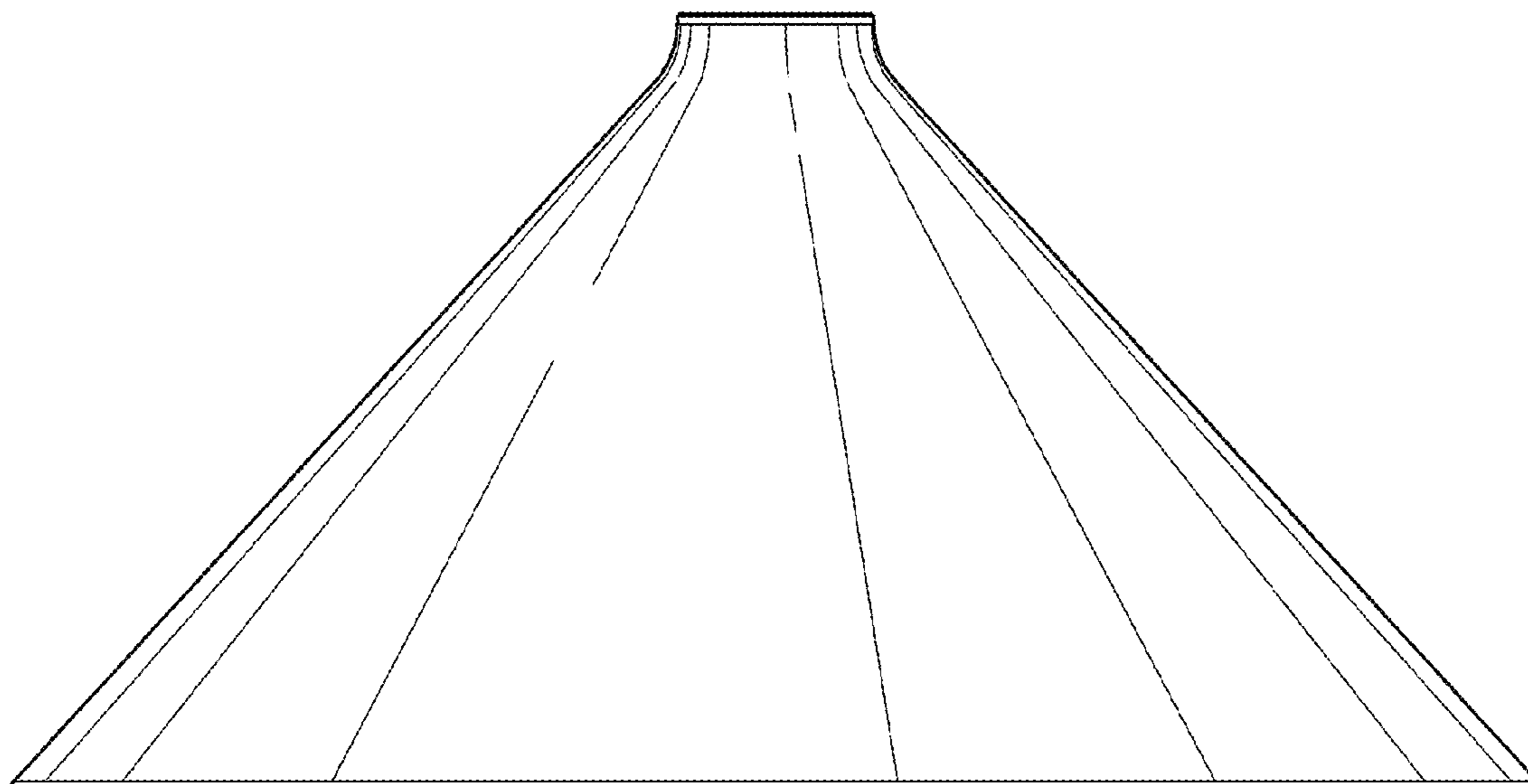


FIG. 4

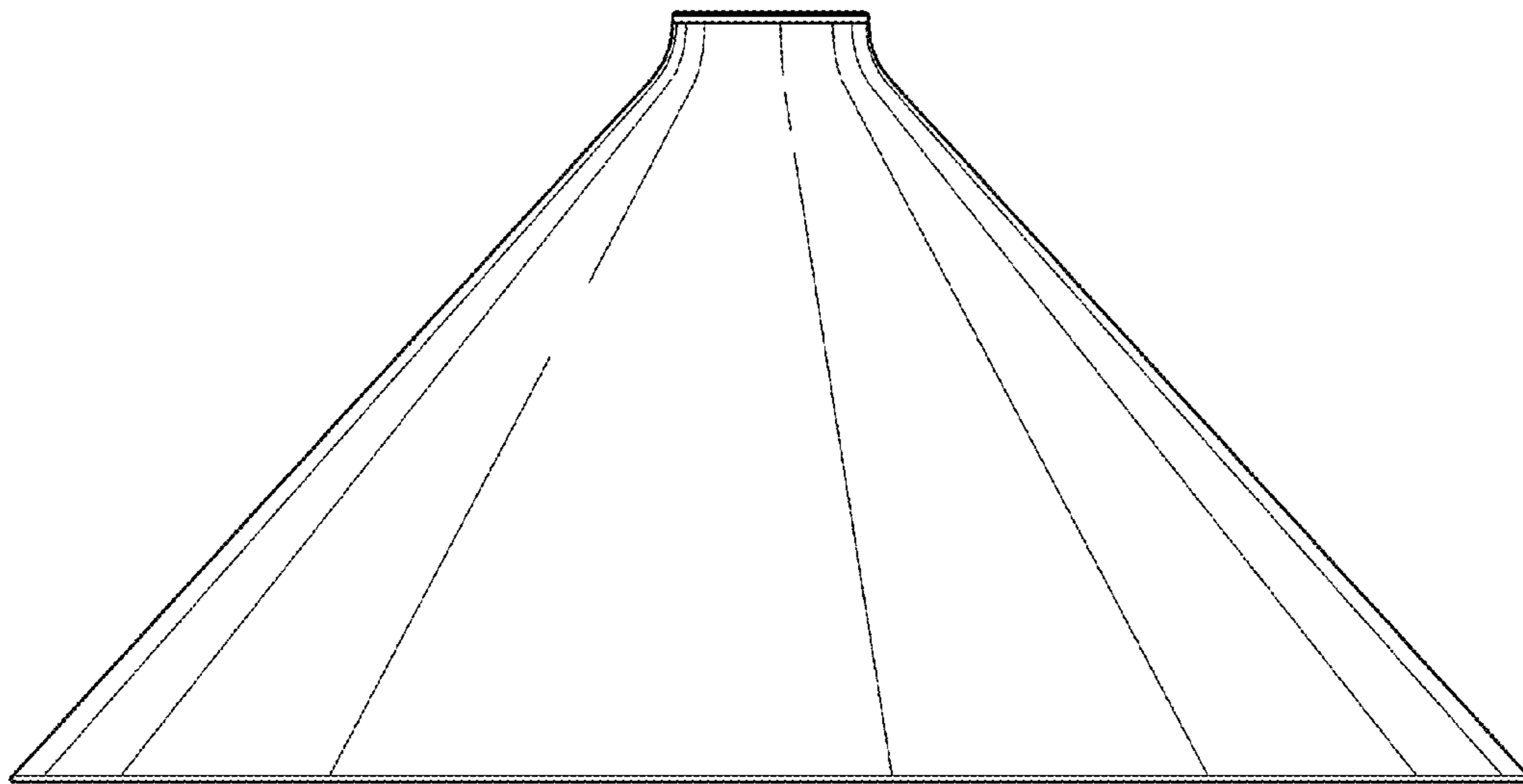


FIG. 5

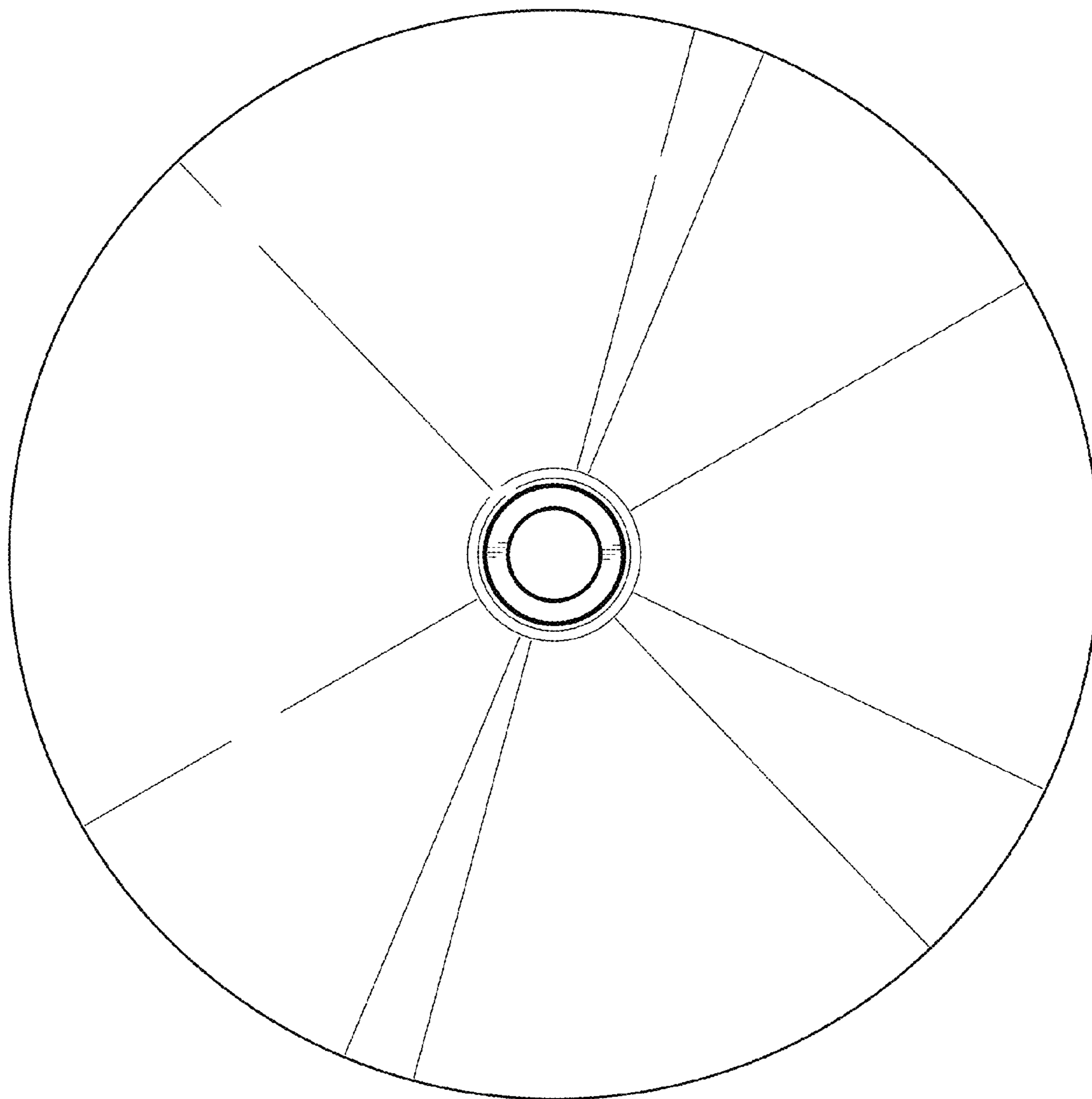


FIG. 6

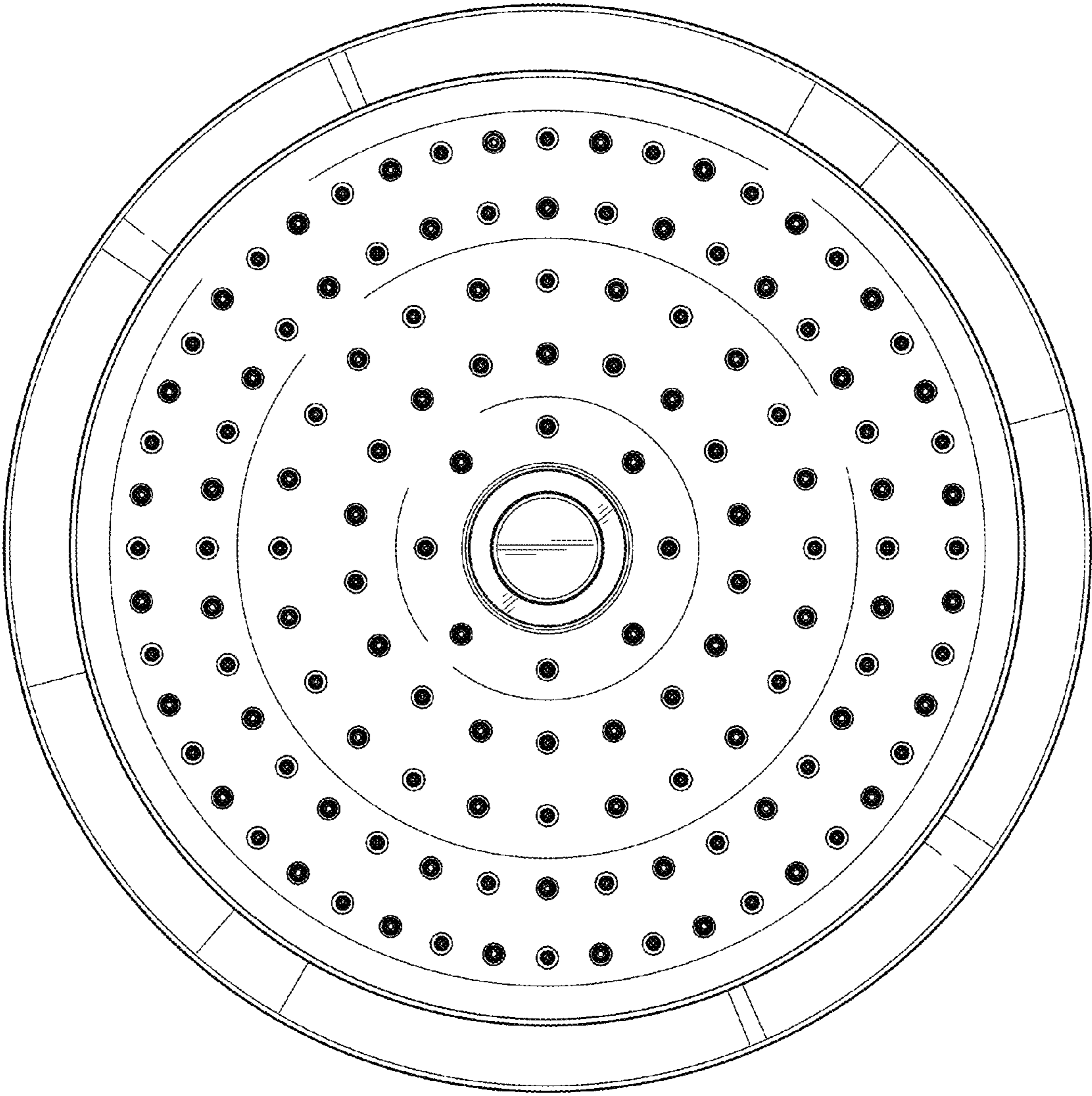


FIG. 7