



US00D707791S

(12) **United States Design Patent**
Beghelli

(10) **Patent No.:** **US D707,791 S**
(45) **Date of Patent:** **** Jun. 24, 2014**

(54) **DEVICE FOR DISPENSING PURIFIED WATER**

(71) Applicant: **Beghelli S.p.A.**, Montevoglio (IT)

(72) Inventor: **Gian Pietro Beghelli**, Montevoglio (IT)

(73) Assignee: **Beghelli S.p.A.**, Montevoglio (BO) (IT)

(**) Term: **14 Years**

(21) Appl. No.: **29/444,701**

(22) Filed: **Feb. 1, 2013**

(30) **Foreign Application Priority Data**

Aug. 8, 2012 (EM) 002085399-0001

(51) **LOC (10) Cl.** **23-01**

(52) **U.S. Cl.**
USPC **D23/207; D7/311**

(58) **Field of Classification Search**
USPC D23/207, 209; D7/311-313; 210/241,
210/435; 222/185.1
See application file for complete search history.

(56) **References Cited**

U.S. PATENT DOCUMENTS

D341,871 S * 11/1993 Bannigan D23/209
D486,880 S * 2/2004 Gracias et al. D23/207

D506,525 S * 6/2005 Wang D23/207
D594,266 S * 6/2009 Nakatani D7/306
D647,593 S * 10/2011 Choi D23/207
D655,561 S * 3/2012 Wang D7/306
D669,154 S * 10/2012 Choi D23/207
D674,874 S * 1/2013 Mueller et al. D23/207
D683,421 S * 5/2013 Choi D23/207
D687,664 S * 8/2013 Beghelli D7/306

* cited by examiner

Primary Examiner — Robin V Webster

(74) *Attorney, Agent, or Firm* — Hedman & Costigan, P.C.;
James V. Costigan; Kathleen A. Costigan

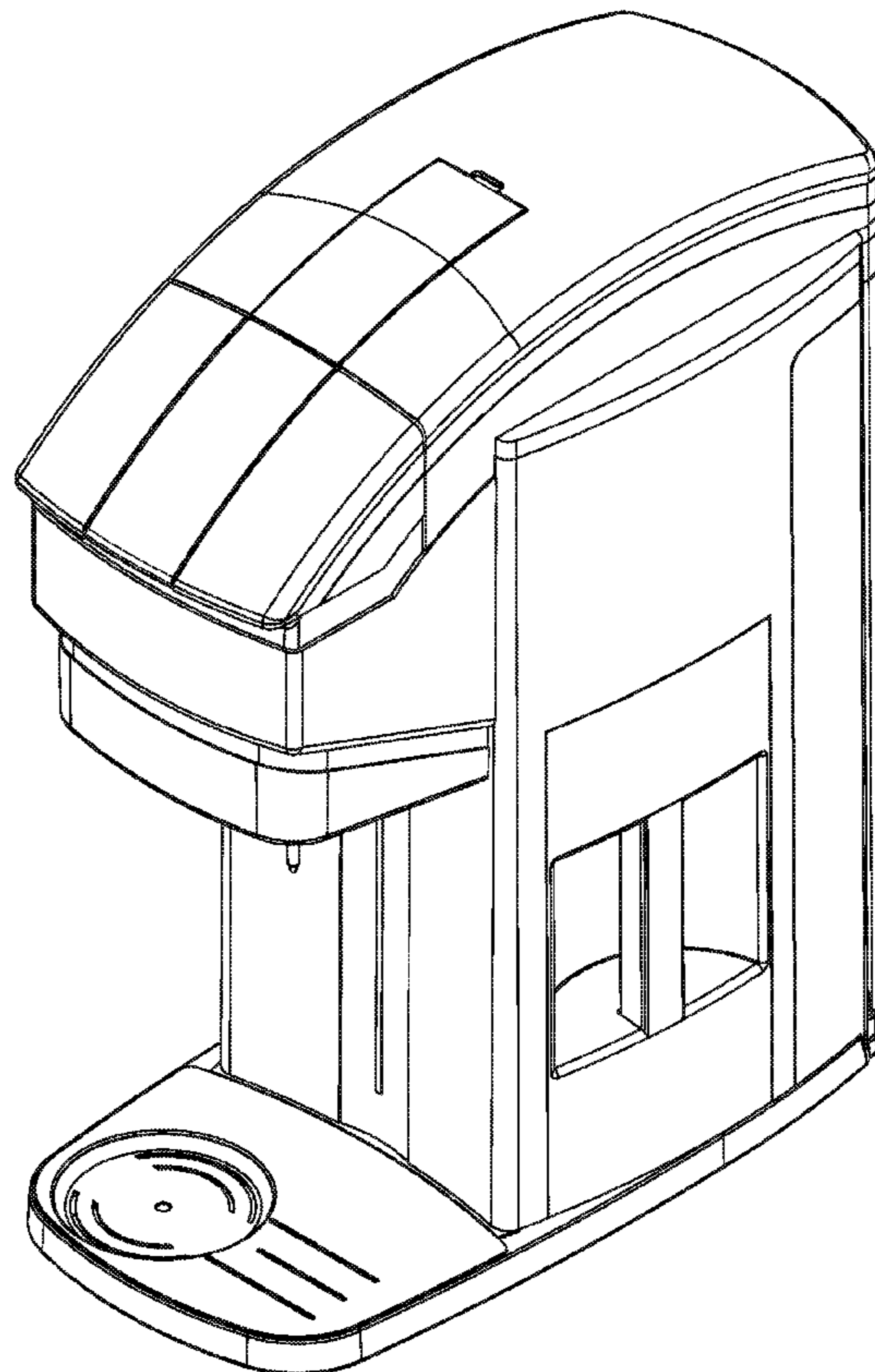
(57) **CLAIM**

I claim the ornamental design for a device for dispensing purified water, as shown and described.

DESCRIPTION

FIG. 1 is a perspective view of device for dispensing purified water according to the present invention;
FIG. 2 is a front view thereof;
FIG. 3 is a right side view thereof;
FIG. 4 is a rear view thereof;
FIG. 5 is left side view thereof;
FIG. 6 is a top view thereof; and,
FIG. 7 is a bottom view thereof.

1 Claim, 7 Drawing Sheets



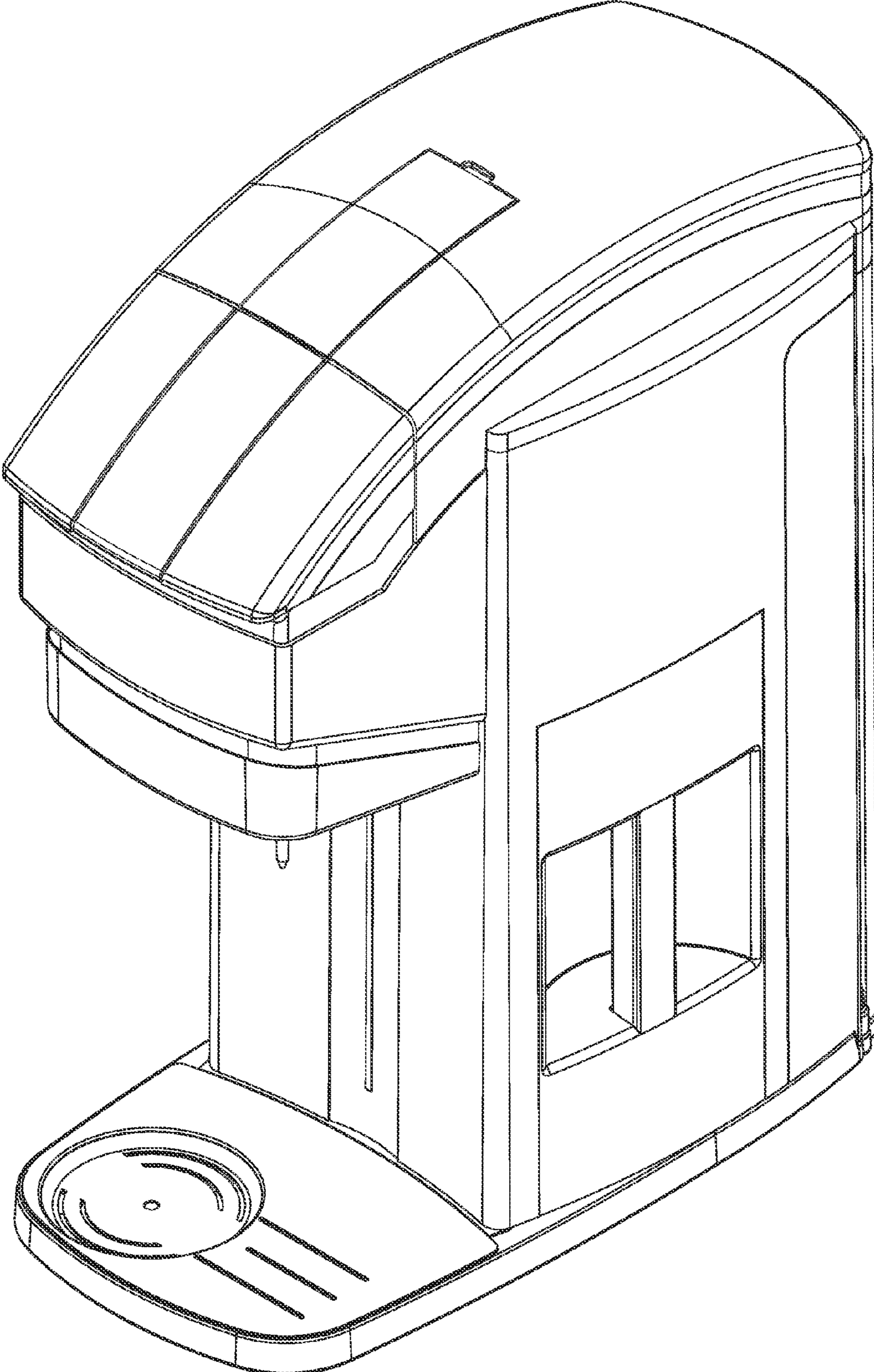


FIG. 1

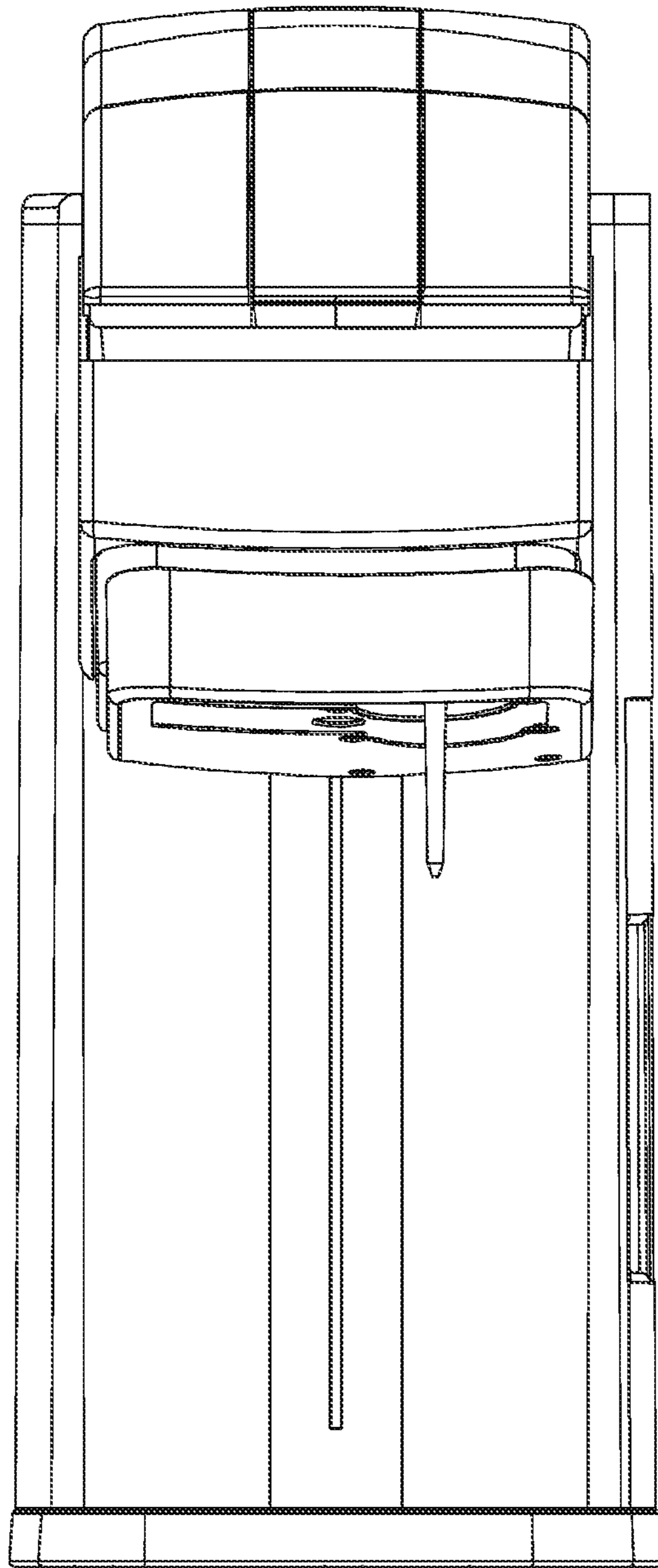


FIG. 2

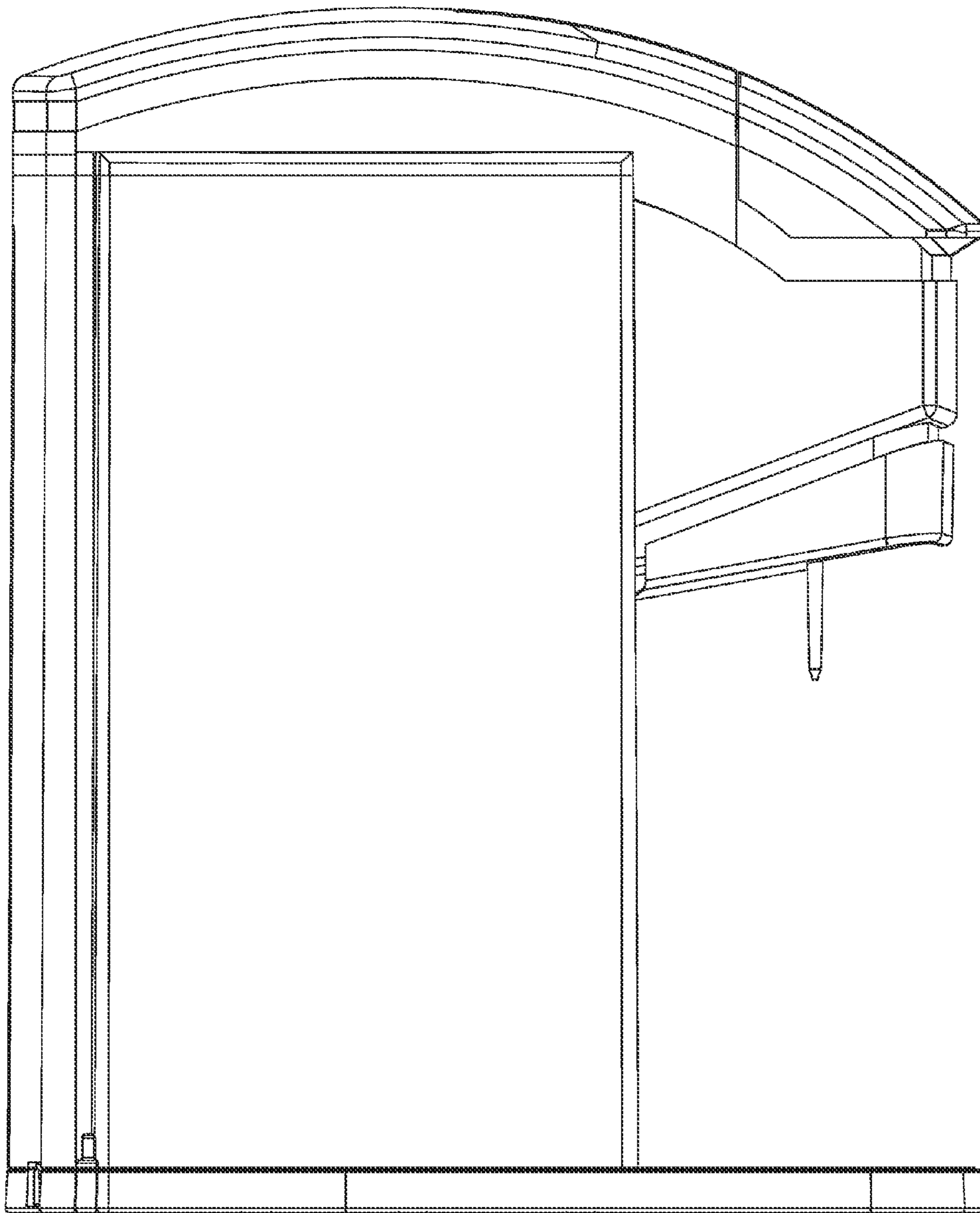


FIG. 3

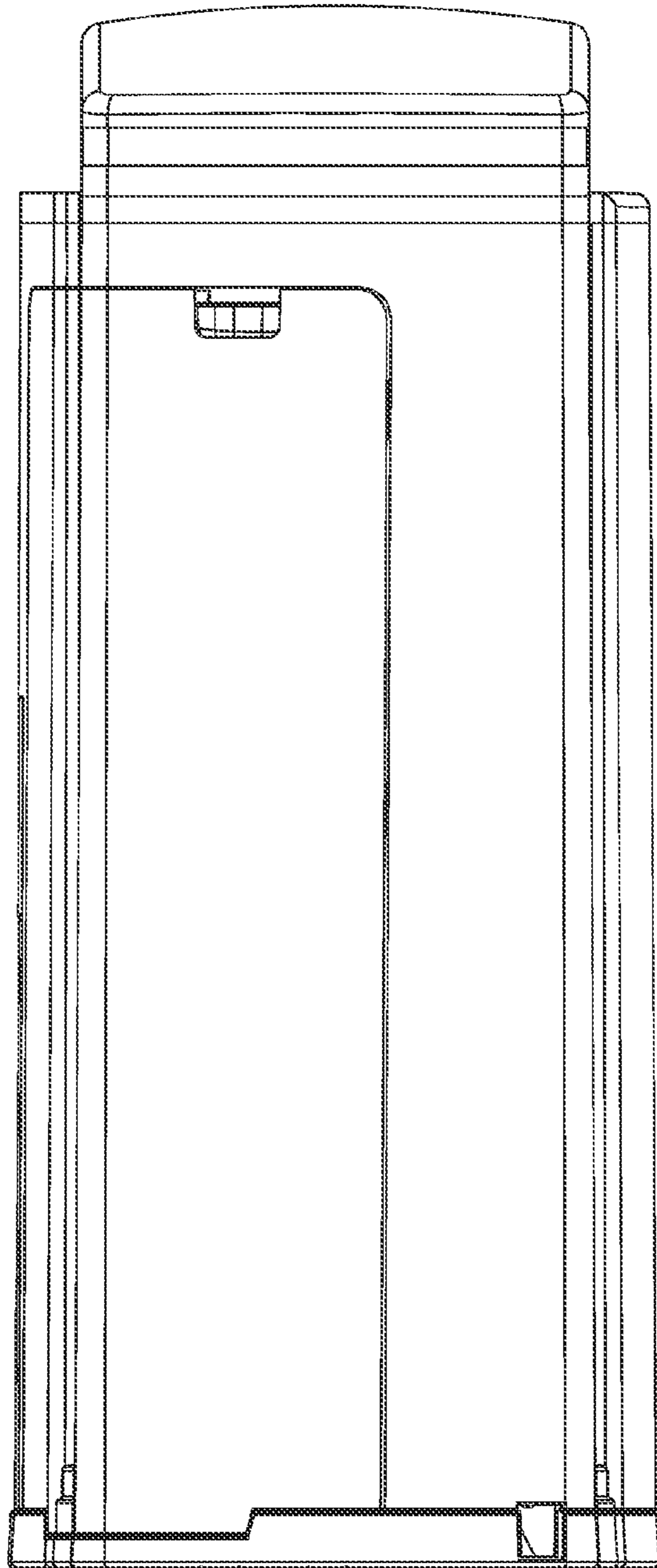


FIG. 4

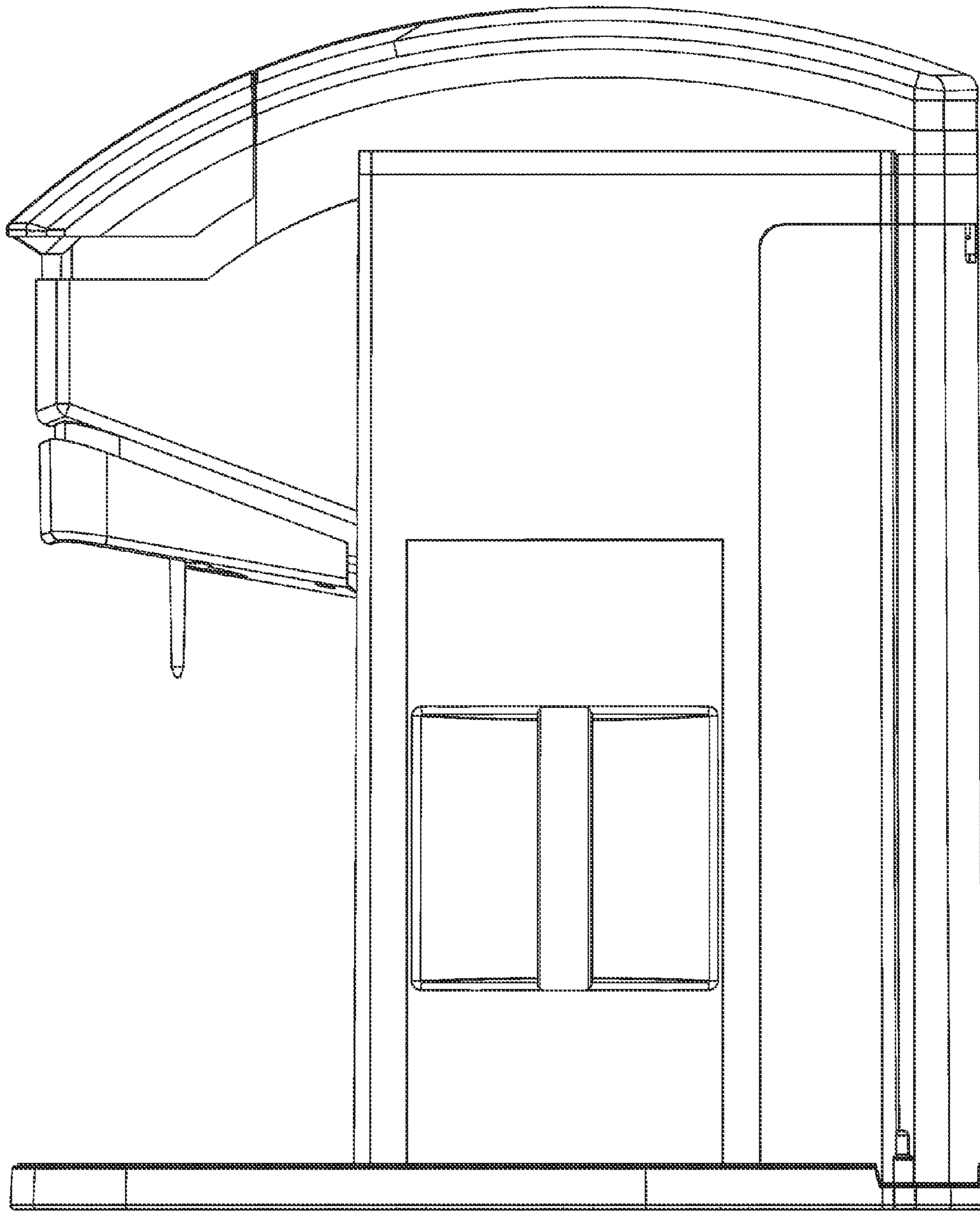


FIG. 5

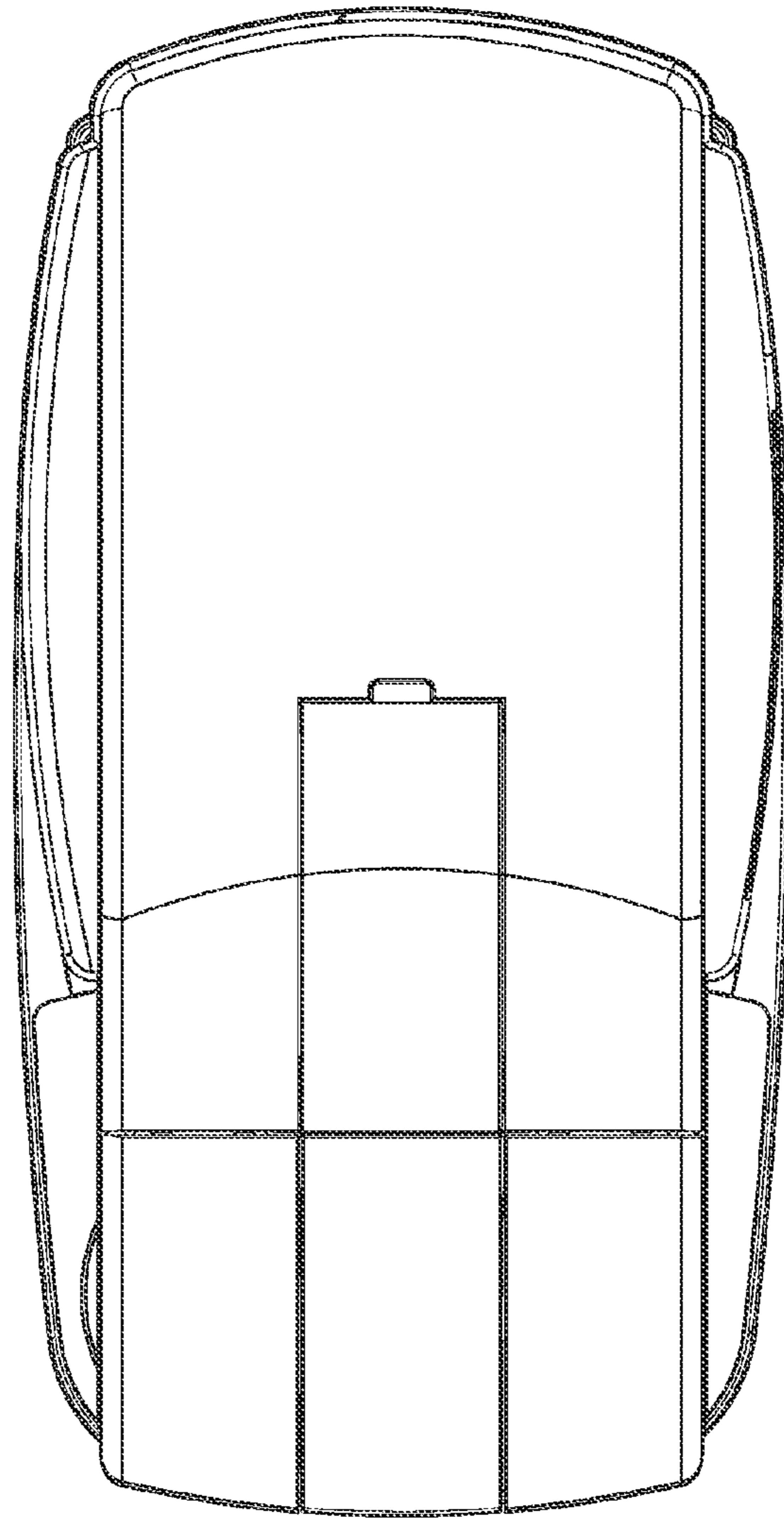


FIG. 6

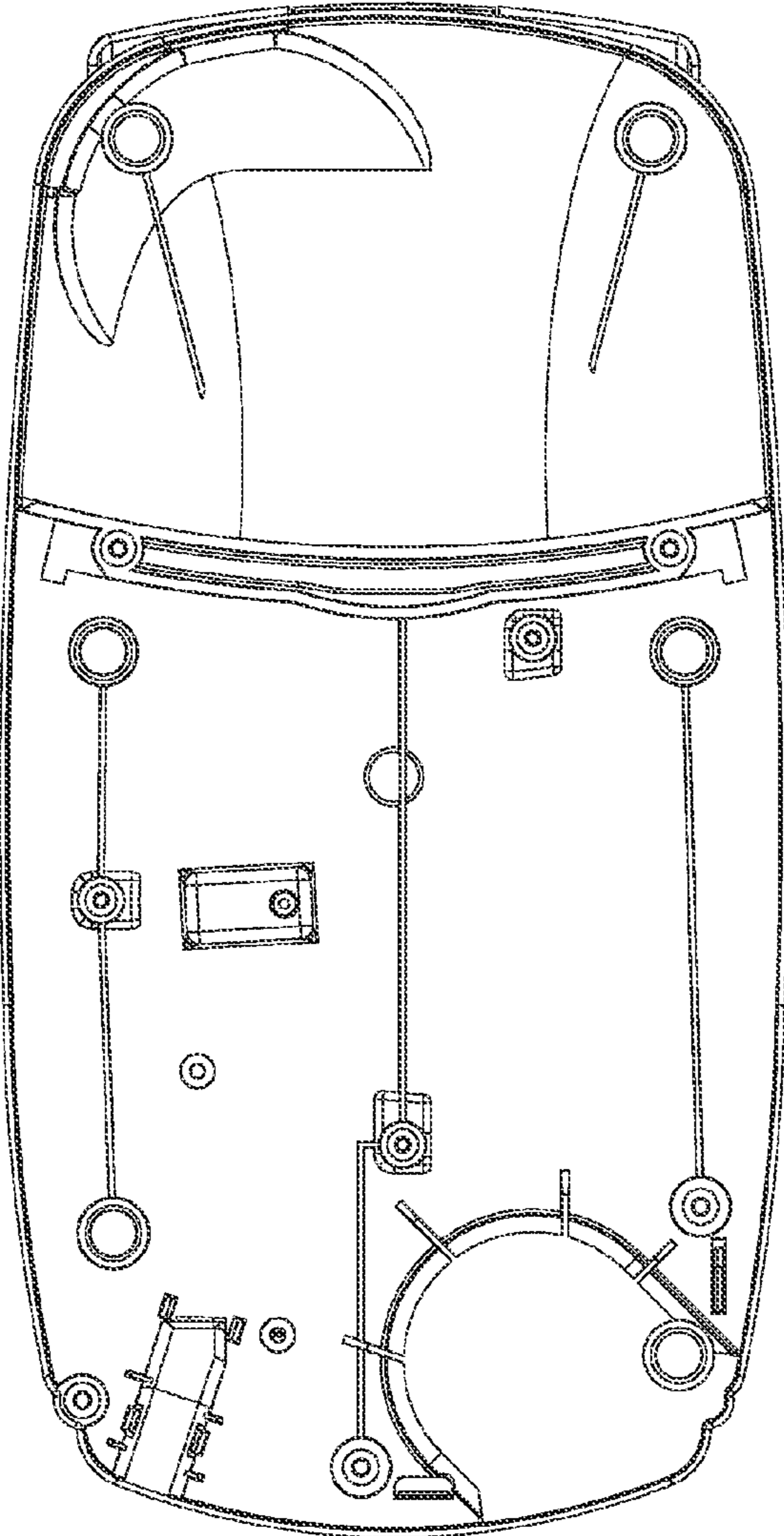


FIG. 7